

US00D599067S

(12) **United States Design Patent**
Yang et al.

(10) **Patent No.:** **US D599,067 S**

(45) **Date of Patent:** **** Aug. 25, 2009**

(54) **DISHRACK**

(75) Inventors: **Frank Yang**, Rancho Palos Verdes, CA (US); **Tzu-Hao Wei**, Hacienda Heights, CA (US); **Myk Wayne Lum**, Irvine, CA (US); **Adam C. Wade**, Rancho Santa Margarita, CA (US)

(73) Assignee: **Simplehuman LLC**, Torrance, CA (US)

(**) Term: **14 Years**

(21) Appl. No.: **29/301,789**

(22) Filed: **Mar. 14, 2008**

Related U.S. Application Data

(63) Continuation of application No. 29/293,402, filed on Nov. 20, 2007, now Pat. No. Des. 581,619.

(51) **LOC (9) Cl.** **07-05**

(52) **U.S. Cl.** **D32/55**

(58) **Field of Classification Search** D32/55-56, D32/58; 4/637, 656; 211/41.2-41.4, 41.8-41.9, 211/181.1, 126.8-126.9, 85.25, 86.01, 88.01; 220/485, 487-488, 494, 572; D6/462; D7/667
See application file for complete search history.

(56) **References Cited**

U.S. PATENT DOCUMENTS

D188,864 S	9/1960	Stansbury et al.
3,027,041 A	3/1962	Stansbury et al.
5,385,261 A	1/1995	Lippisch et al.
D374,526 S	10/1996	Breen et al.
D397,534 S	8/1998	Alvarez
D407,879 S	4/1999	Gunawan
D408,603 S	4/1999	Haley
D412,607 S	8/1999	Goodin et al.

D413,700 S	9/1999	Wang	
D492,457 S	6/2004	Soroka	
D534,701 S	1/2007	Schmidt	
D555,310 S	* 11/2007	Yang et al. D32/55
D555,311 S	* 11/2007	Yang et al. D32/55
D559,491 S	* 1/2008	Yang et al. D32/55

* cited by examiner

Primary Examiner—Pamela J Burgess

(74) *Attorney, Agent, or Firm*—Liu & Liu

(57) **CLAIM**

The ornamental design for the dishrack, as shown and described.

DESCRIPTION

FIG. 1 is a right perspective view of a dishrack showing our new design;

FIG. 2 is a front view thereof;

FIG. 3 is a rear view thereof;

FIG. 4 is a right side view thereof;

FIG. 5 is a left side view thereof;

FIG. 6 is a top plan view thereof; and

FIG. 7 is a bottom plan view thereof.

FIG. 8 is a right side perspective view of a second embodiment of a dishrack showing our new design;

FIG. 9 is a front view thereof;

FIG. 10 is a rear view thereof;

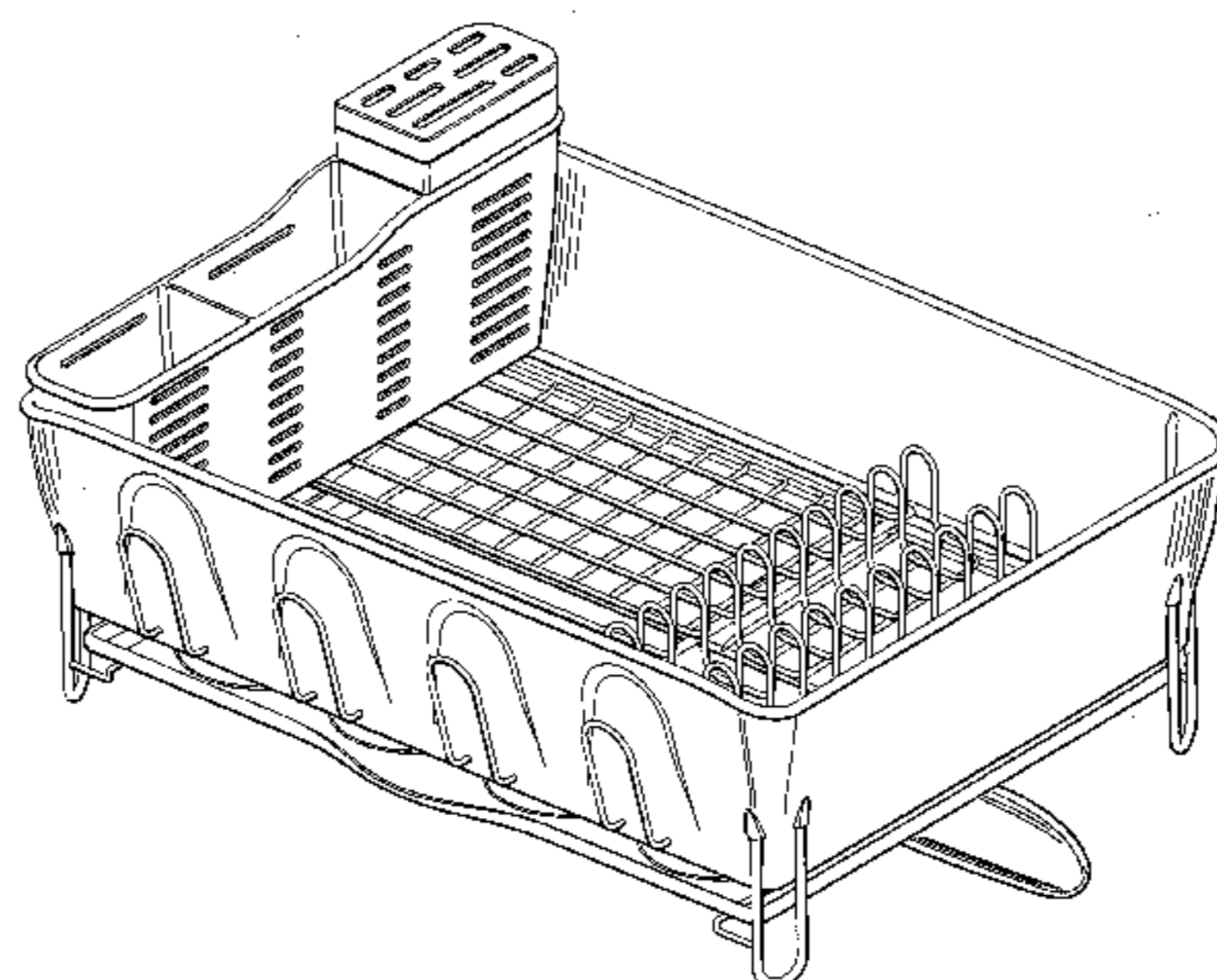
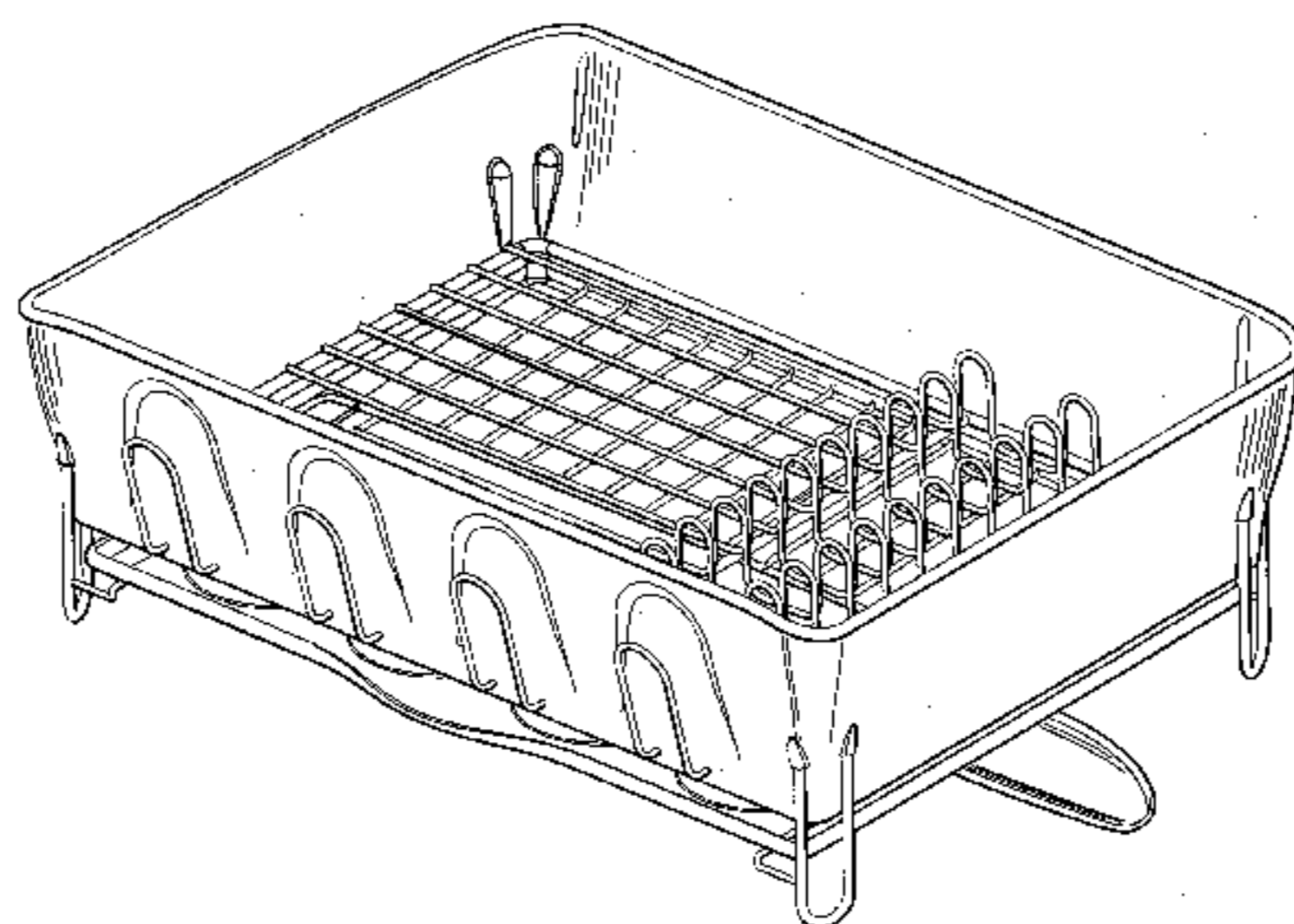
FIG. 11 is a right side view thereof;

FIG. 12 is a left side view thereof;

FIG. 13 is a top plan view thereof; and,

FIG. 14 is a bottom plan view thereof.

1 Claim, 14 Drawing Sheets



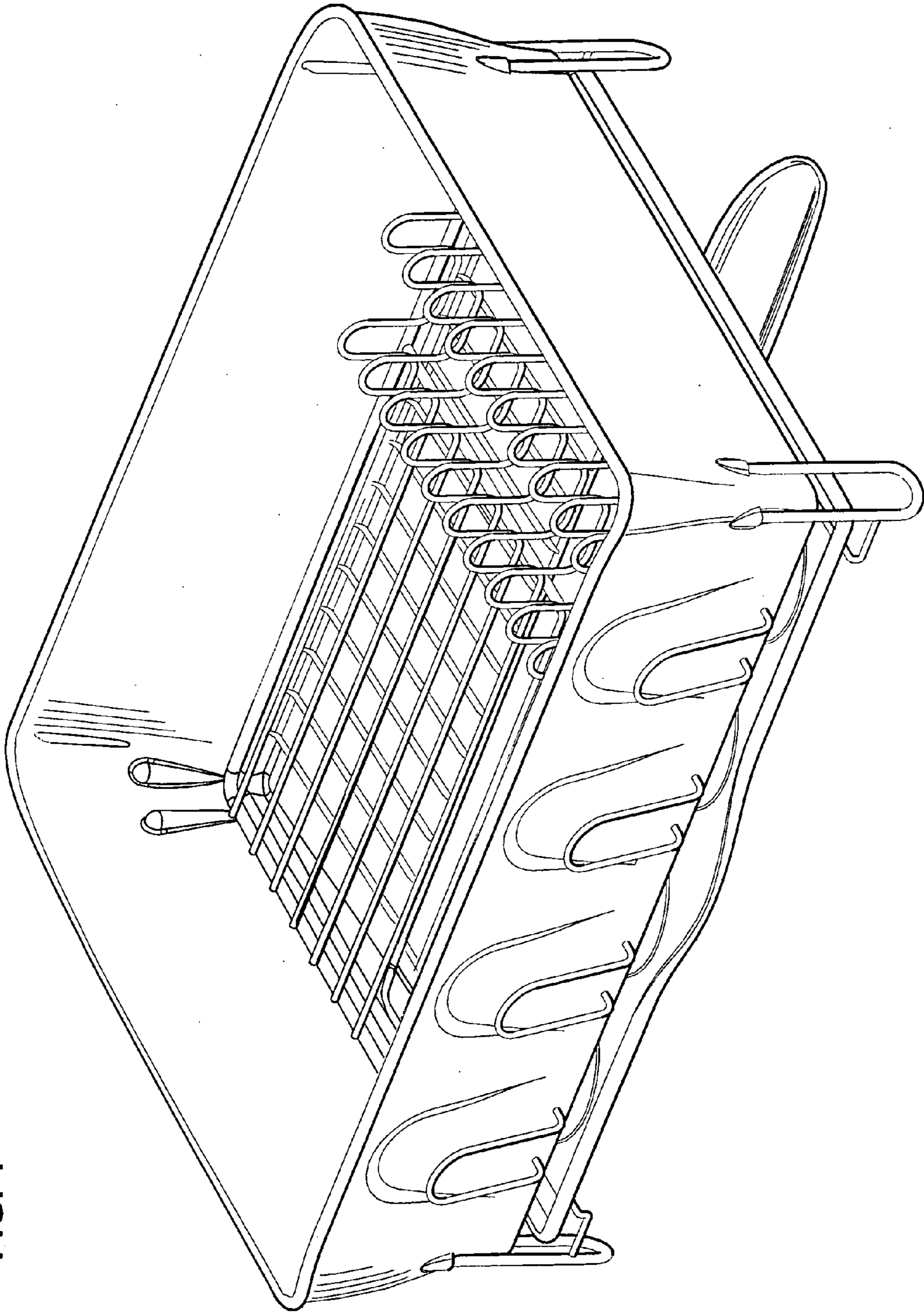


FIG. 1

FIG. 2

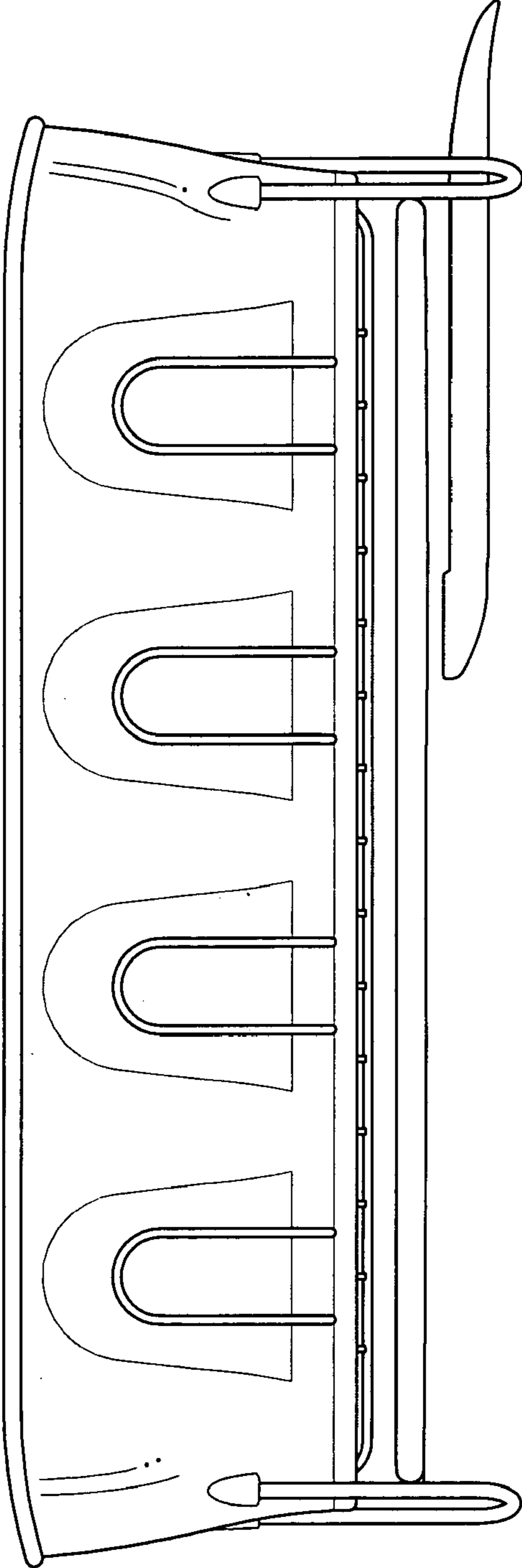


FIG. 3

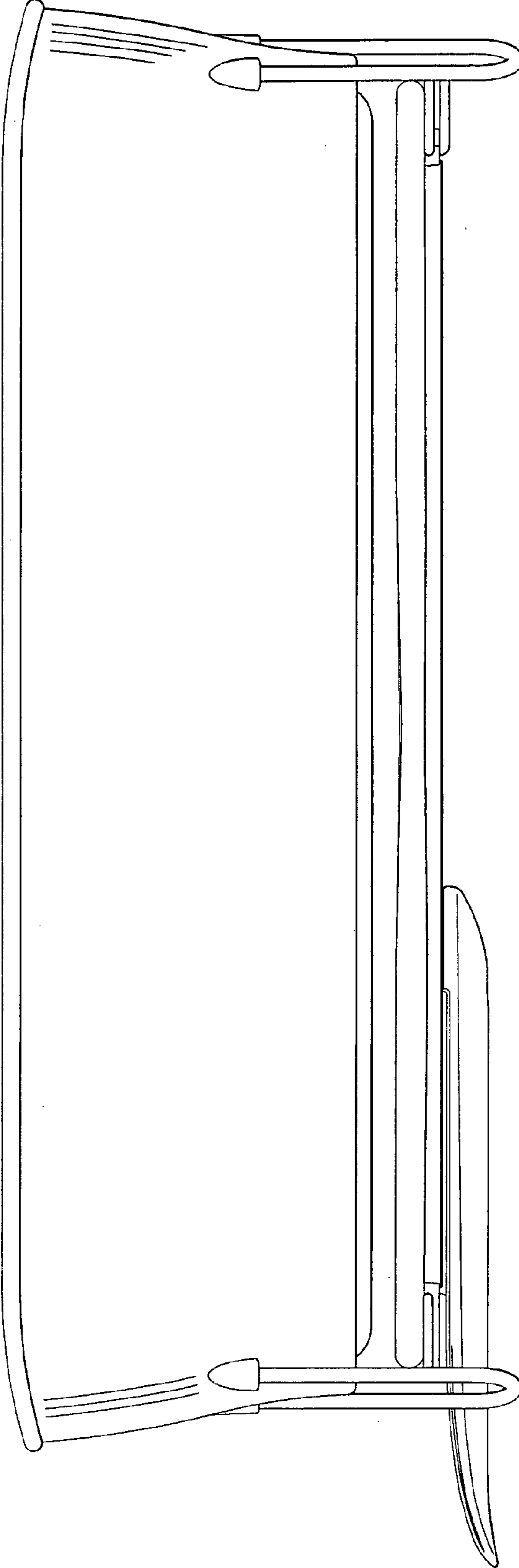


FIG. 4

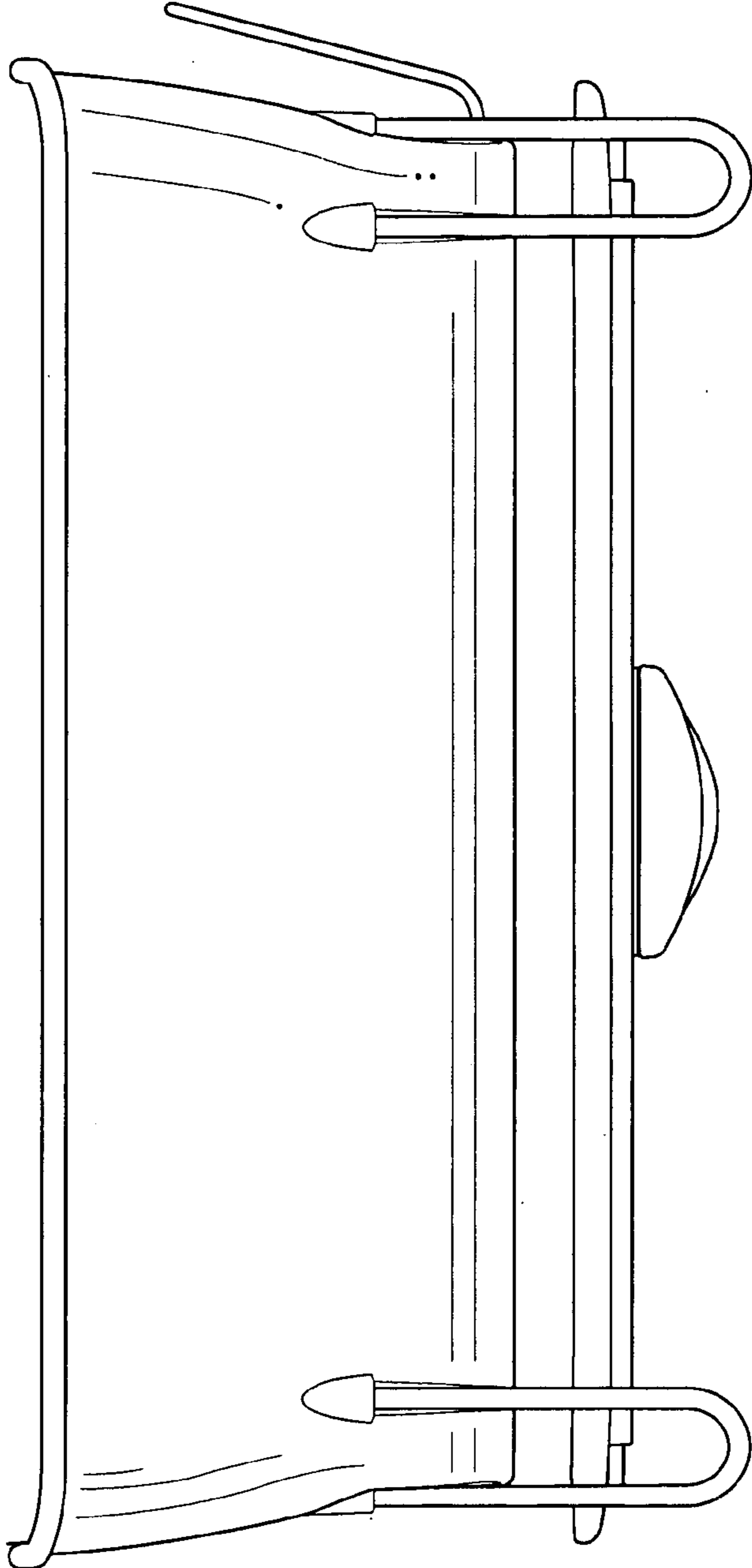
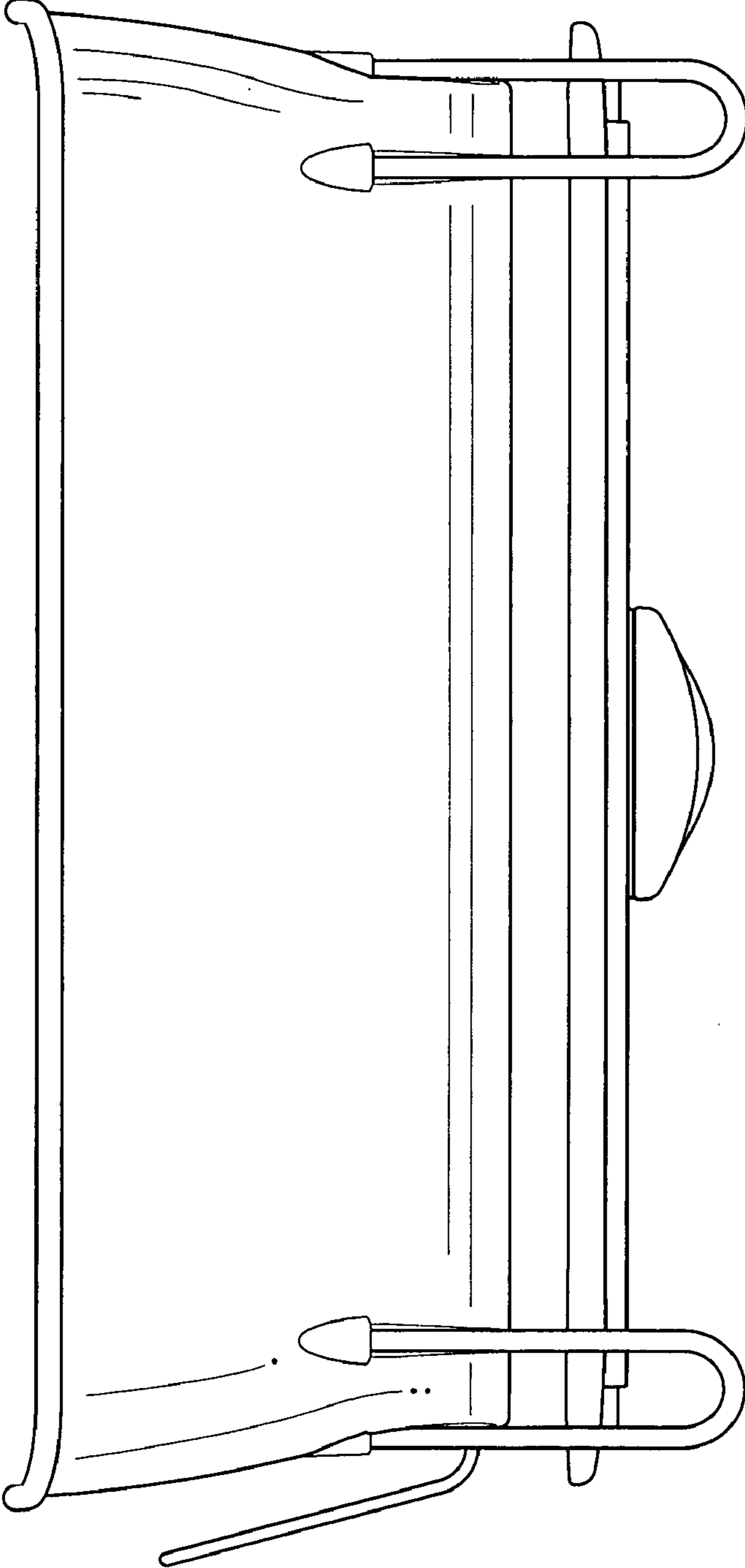


FIG. 5



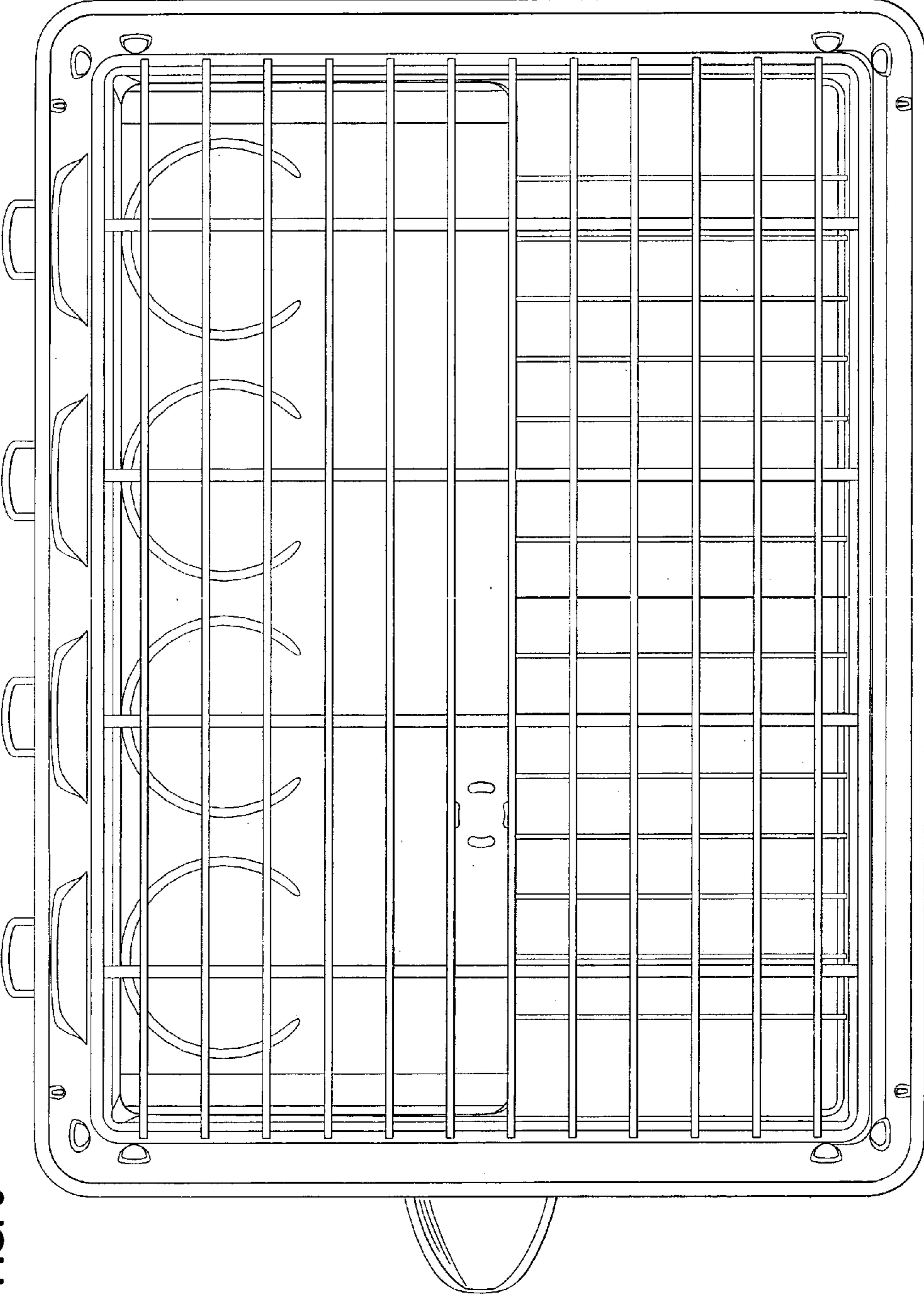


FIG. 6

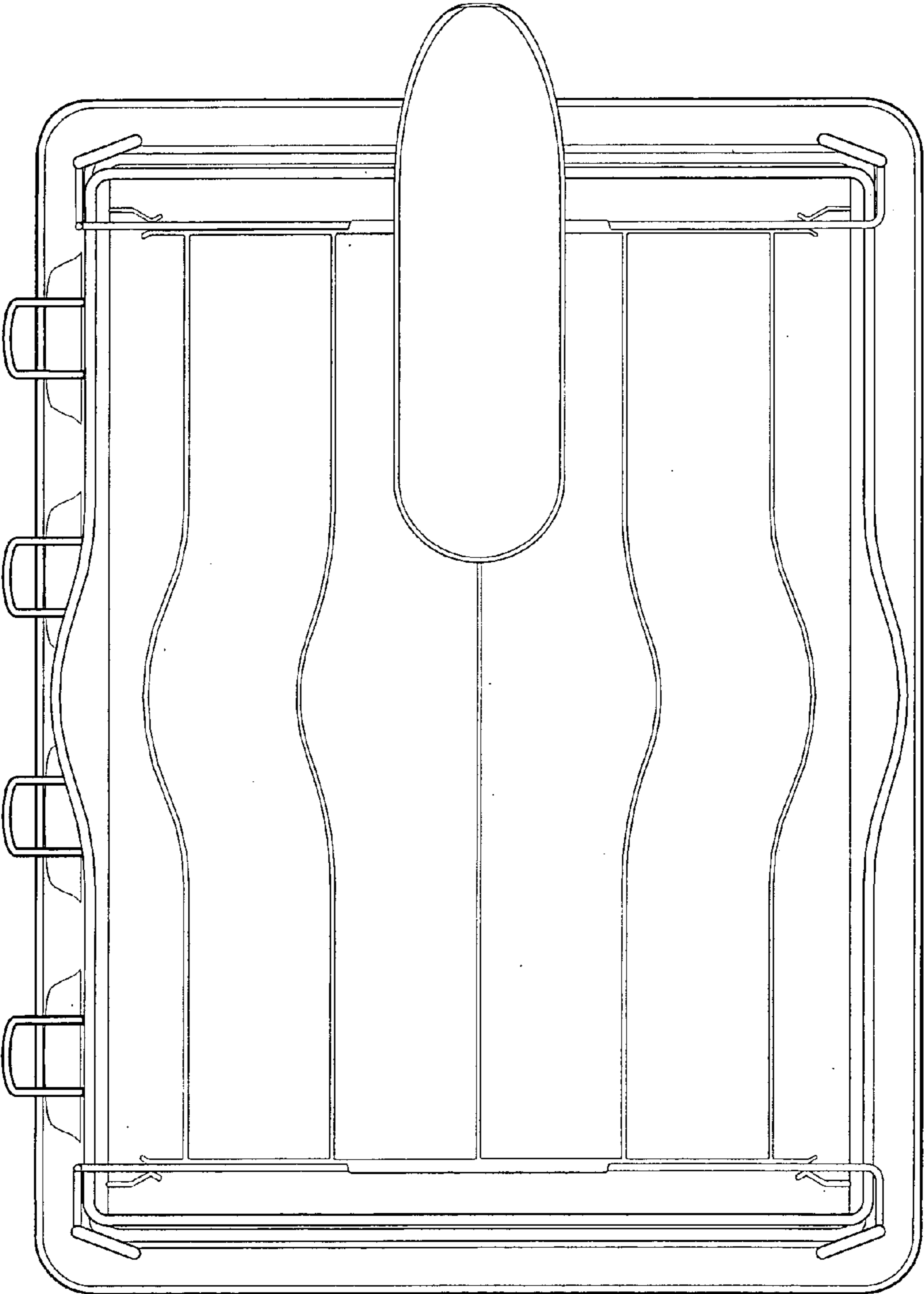


FIG. 7

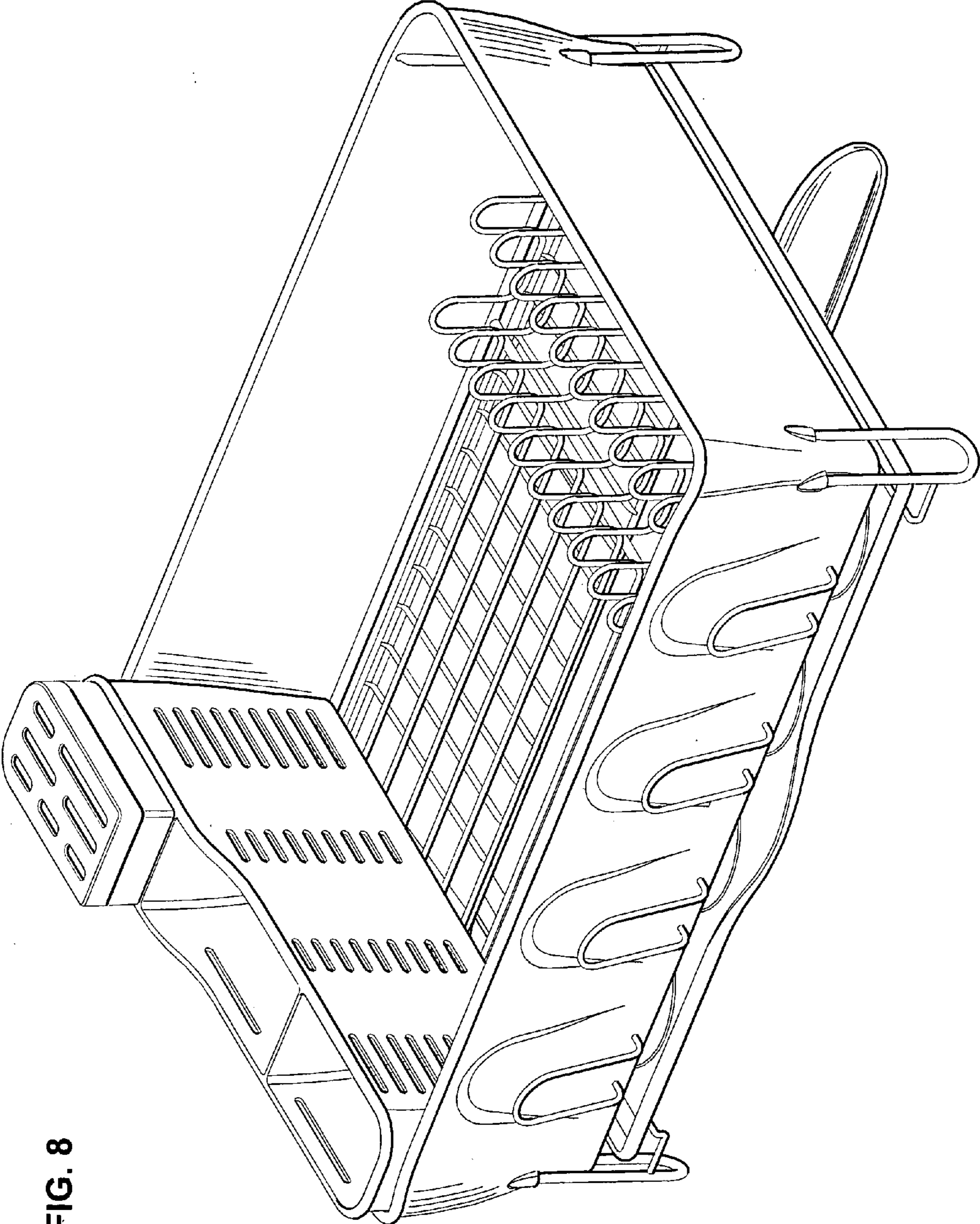


FIG. 8

FIG. 9

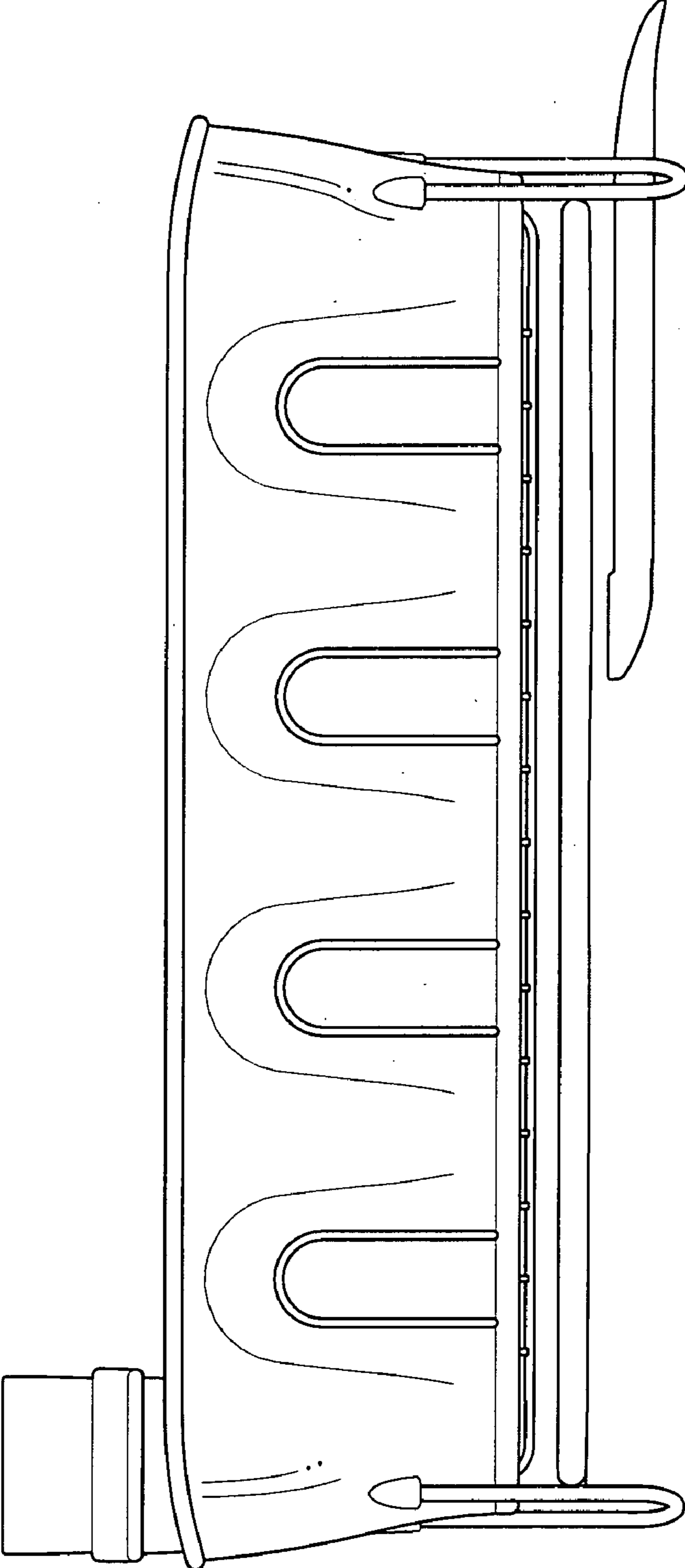


FIG. 10

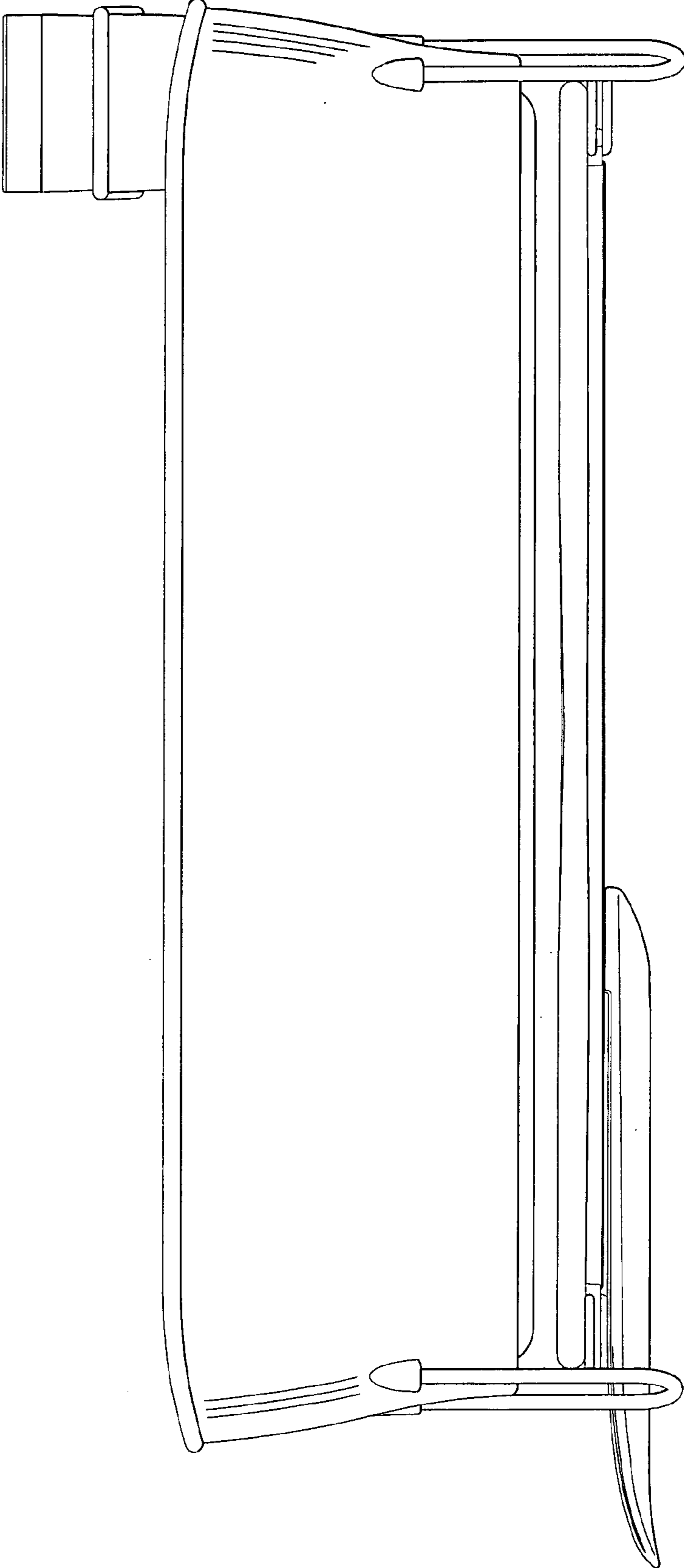


FIG. 11

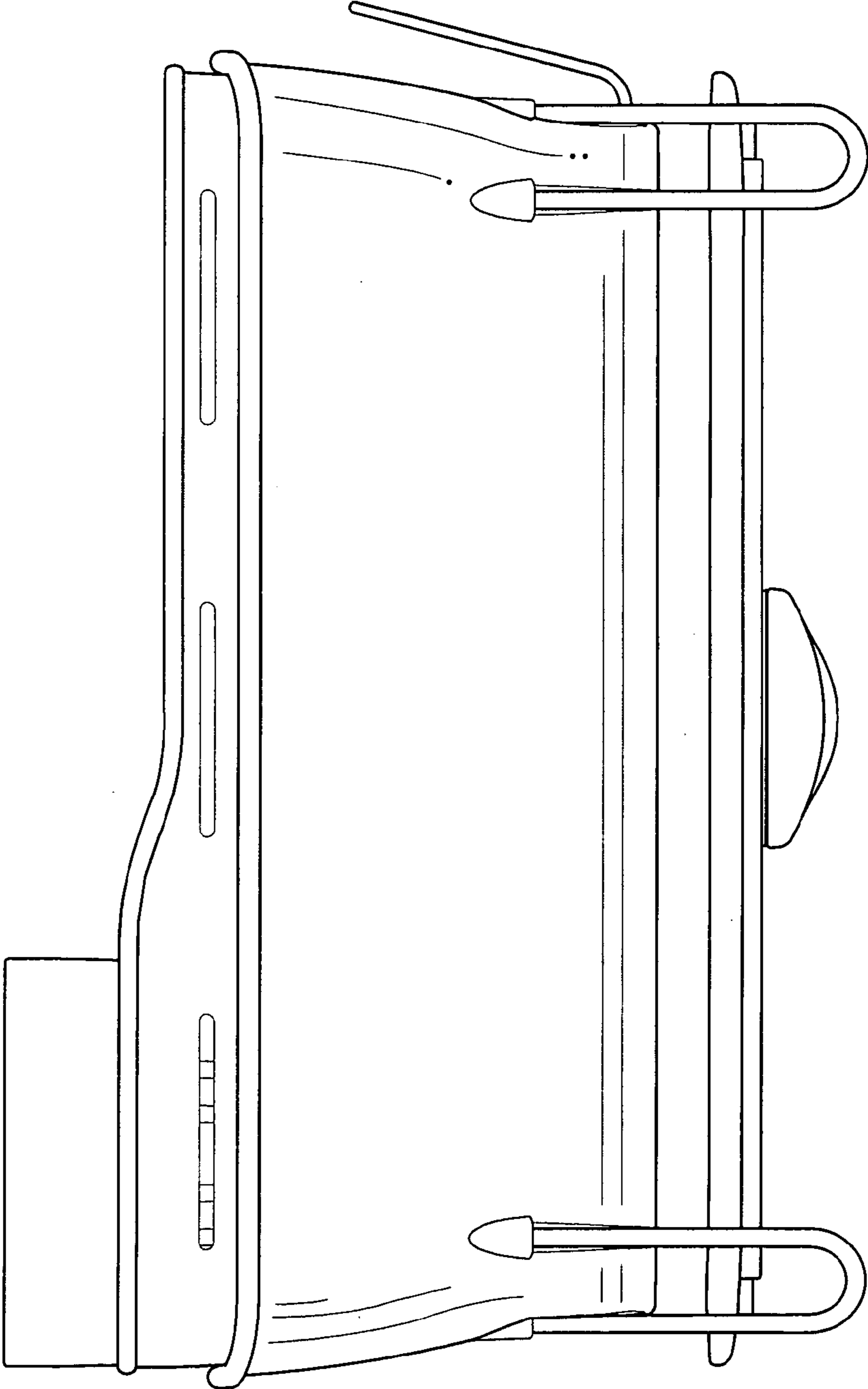
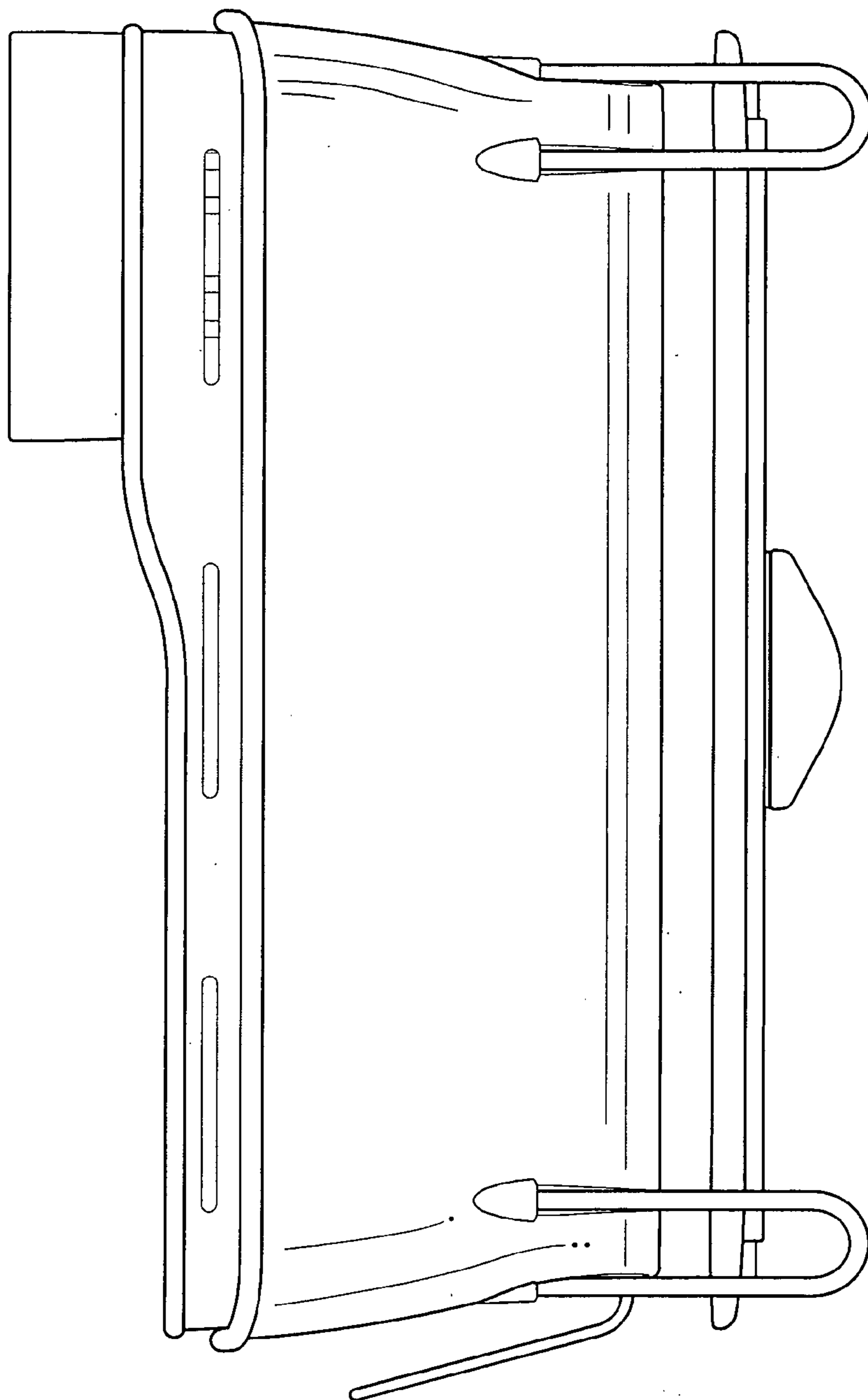


FIG. 12



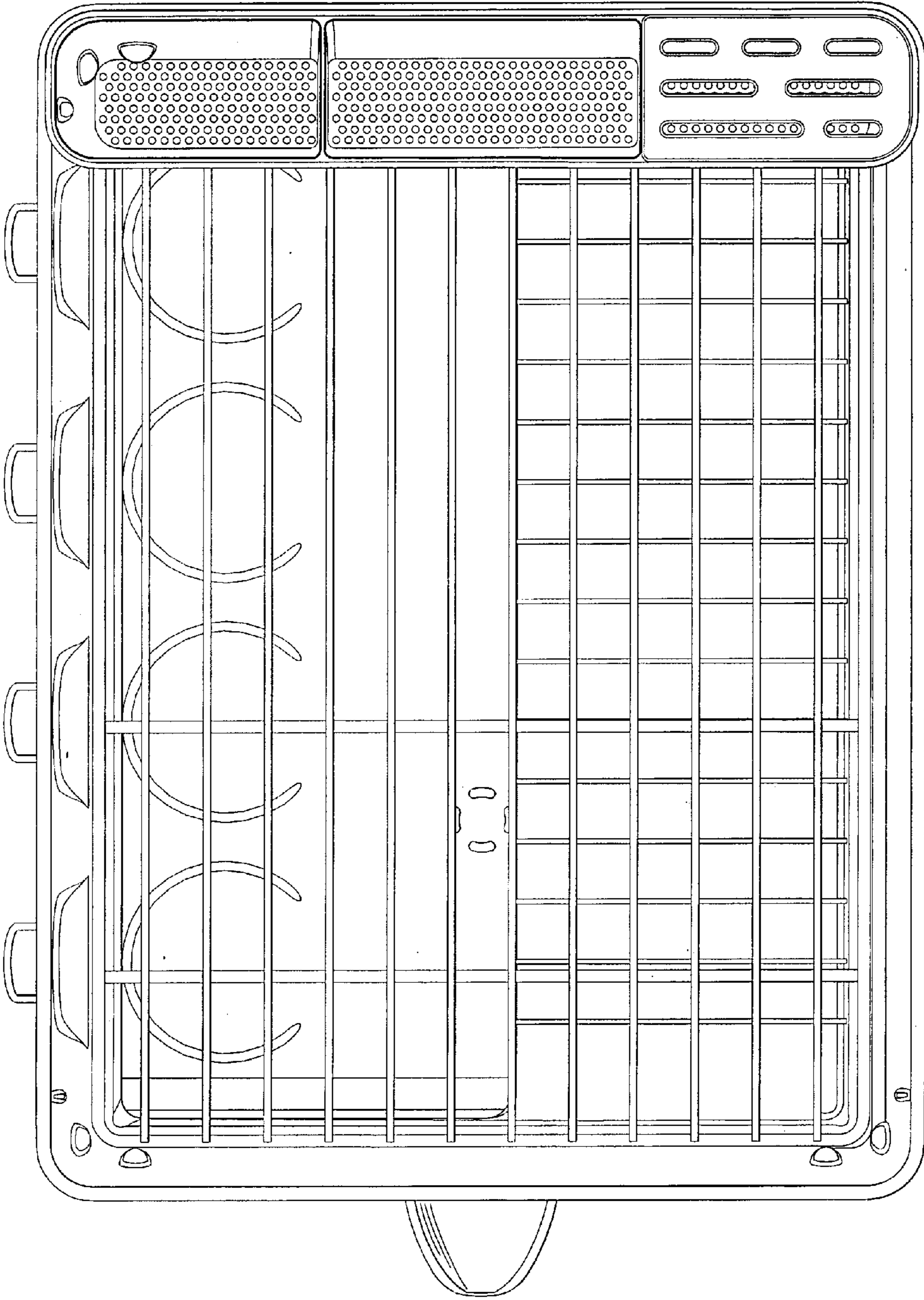


FIG. 13

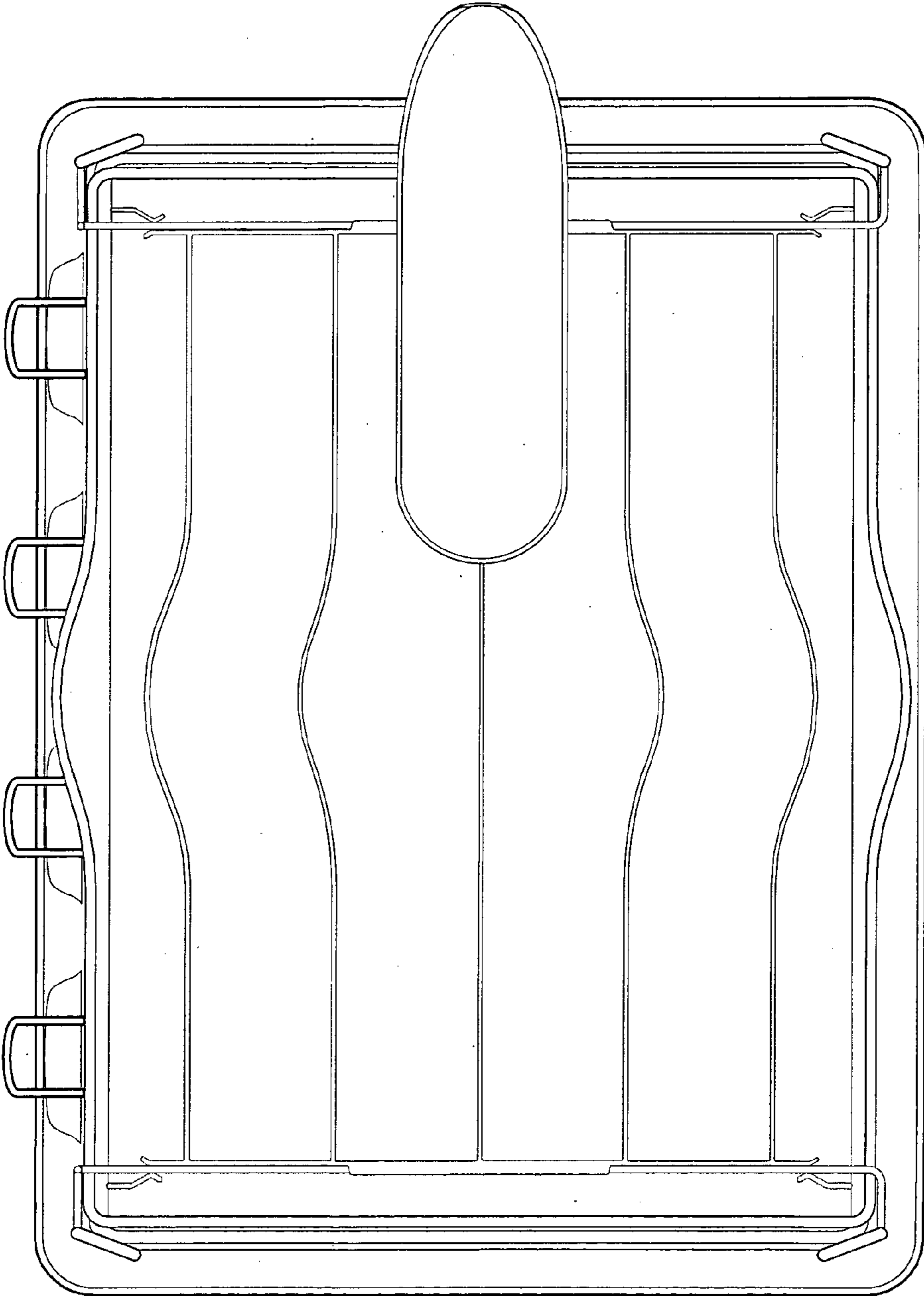


FIG. 14