

US00D599064S

(12) **United States Design Patent**
Crevling, Jr. et al.

(10) **Patent No.:** **US D599,064 S**

(45) **Date of Patent:** **** Aug. 25, 2009**

(54) **YARD VACUUM**

(75) Inventors: **Robert L. Crevling, Jr.**, Cogan Station,
PA (US); **Jason Gottschall**,
Williamsport, PA (US)

(73) Assignee: **Shop Vac Corporation**, Williamsport,
PA (US)

(**) Term: **14 Years**

(21) Appl. No.: **29/319,762**

(22) Filed: **Jun. 13, 2008**

(51) **LOC (9) Cl.** **15-05**

(52) **U.S. Cl.** **D32/31**

(58) **Field of Classification Search** D32/1,
D32/21, 31, 15; 15/327.1-327.7, 340.2,
15/412, 320-321, 329, 323, 246.2, 353, DIG. 1,
15/347; 417/234; 55/459.1, DIG. 3, 345,
55/337, 429, 460, 342, 349, 359; 95/271;
210/512.1, 167.16; 901/1, 46; 137/544;
D15/10, 17, 28

See application file for complete search history.

(56) **References Cited**

U.S. PATENT DOCUMENTS

D372,348 S * 7/1996 Rudolph et al. D32/31
6,210,457 B1 * 4/2001 Siemens 55/429
D447,844 S * 9/2001 Griffin D32/31

D527,504 S * 8/2006 Griffin et al. D32/21
D538,491 S * 3/2007 Pan D32/15
D584,460 S * 1/2009 Sweeney D32/15
D587,414 S * 2/2009 Griffin et al. D32/31
2005/0257340 A1 * 11/2005 Parrott 15/353
2006/0059871 A1 * 3/2006 Han et al. 55/345
2007/0180646 A1 * 8/2007 Valentine 15/323

* cited by examiner

Primary Examiner—Ruth McInroy

(74) *Attorney, Agent, or Firm*—Marshall, Gerstein & Borun
LLP

(57) **CLAIM**

The ornamental design for a yard vacuum, as shown.

DESCRIPTION

FIG. 1 is a perspective view of a head of a yard vacuum cleaner showing our new design;

FIG. 2 is a front view thereof;

FIG. 3 is a rear view thereof;

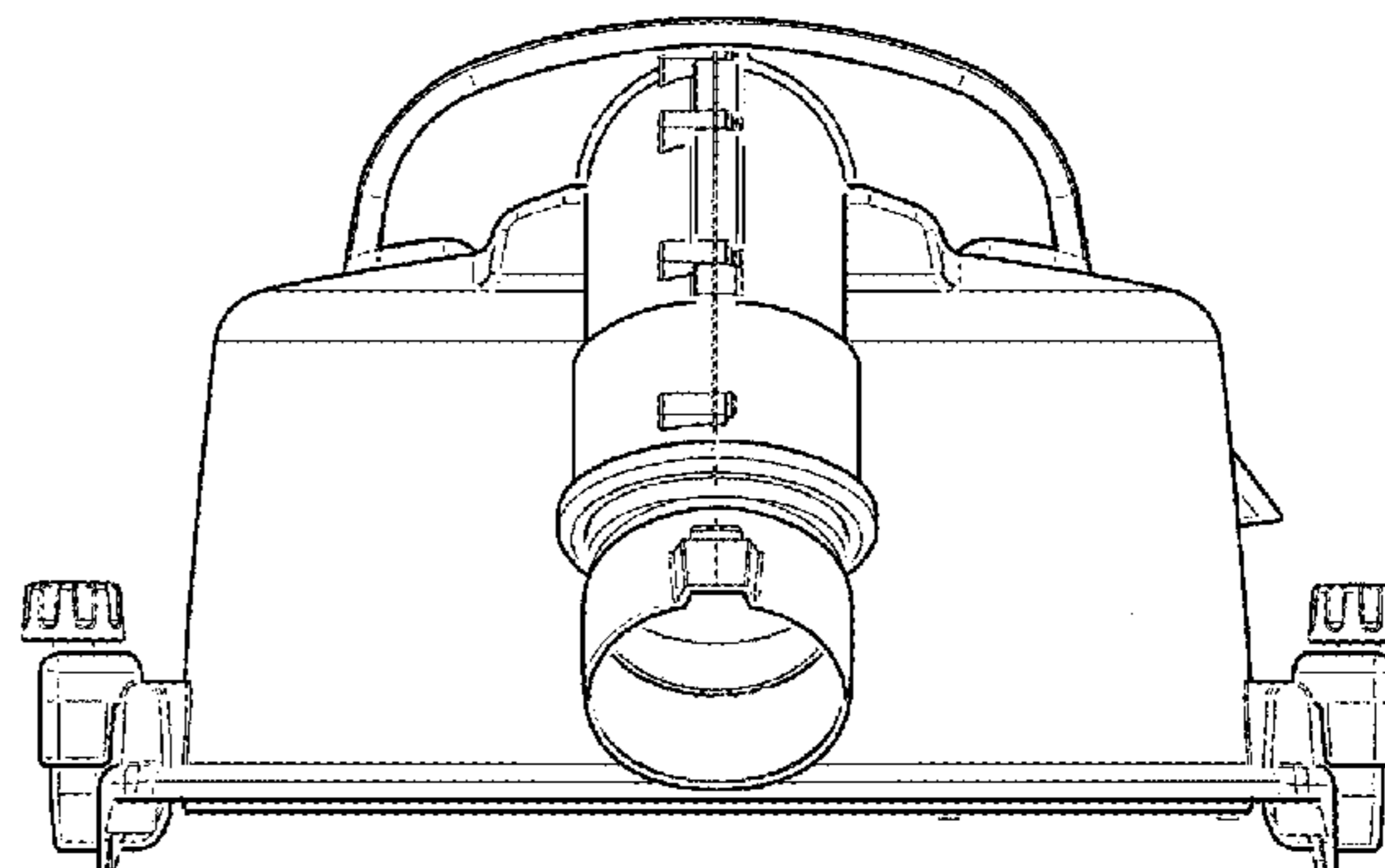
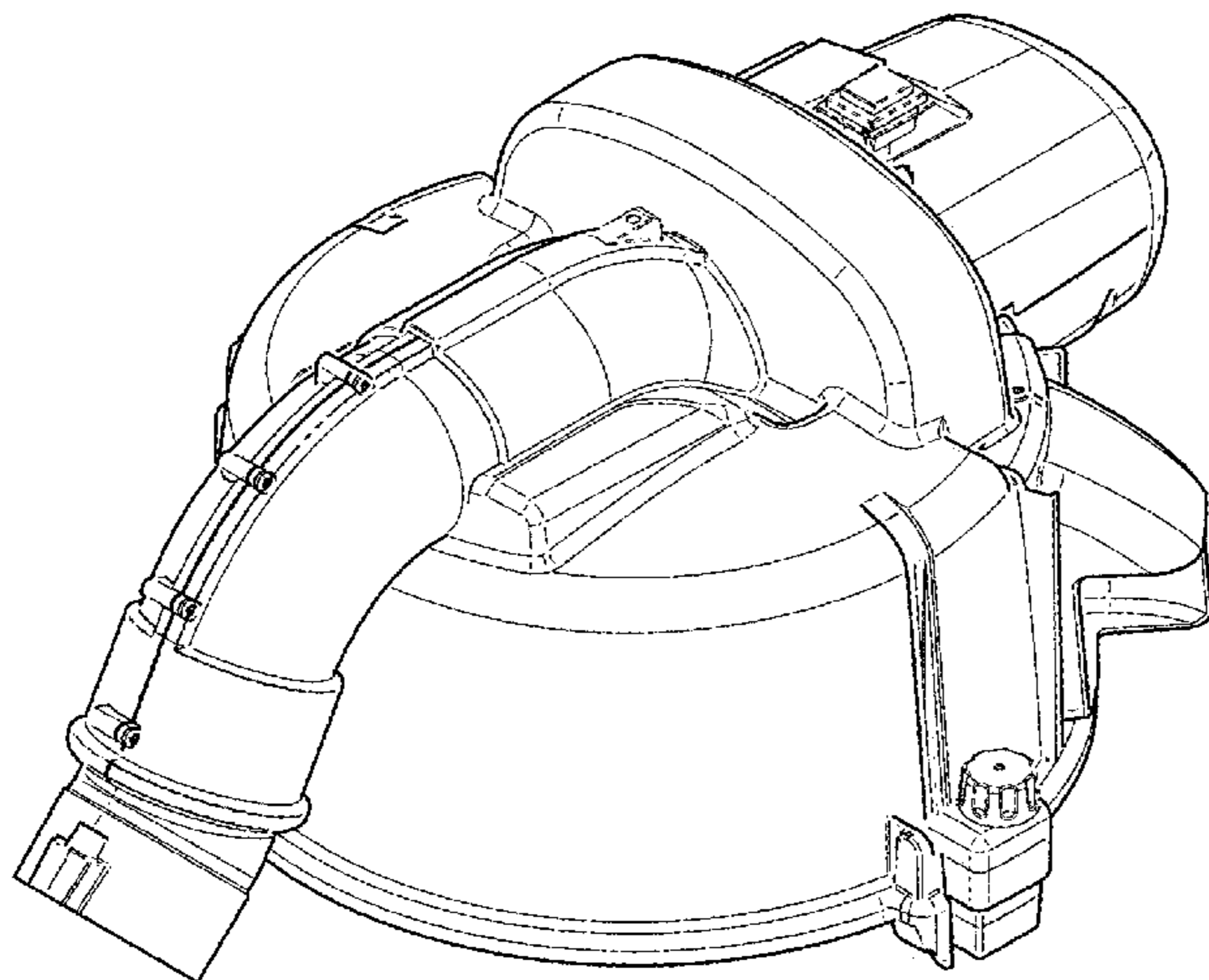
FIG. 4 is a right-side view thereof;

FIG. 5 is a left-side view thereof; and,

FIG. 6 is a top plan view thereof.

The bottom of the head of the yard vacuum forms no part of the claimed design.

1 Claim, 6 Drawing Sheets



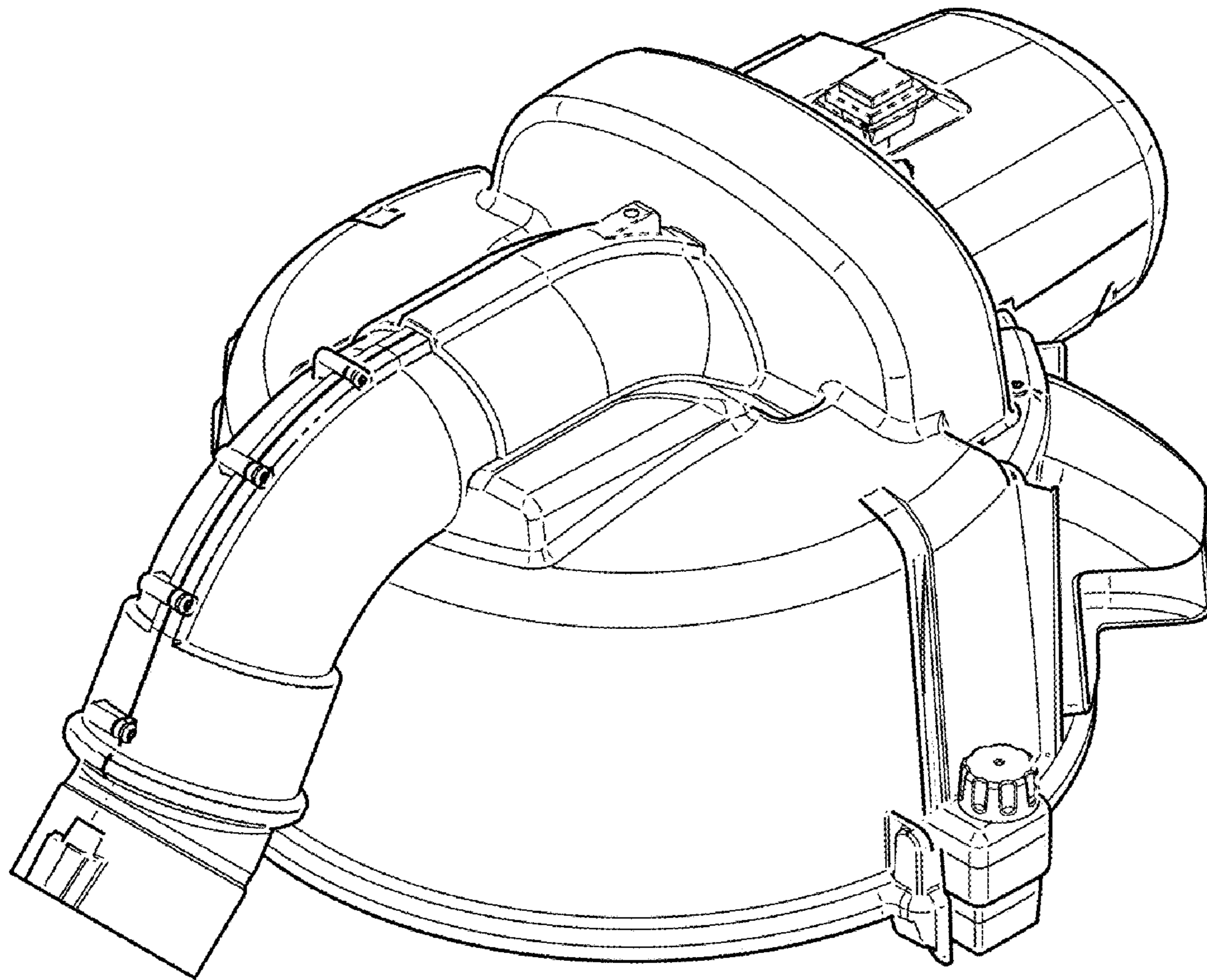


FIG. 1

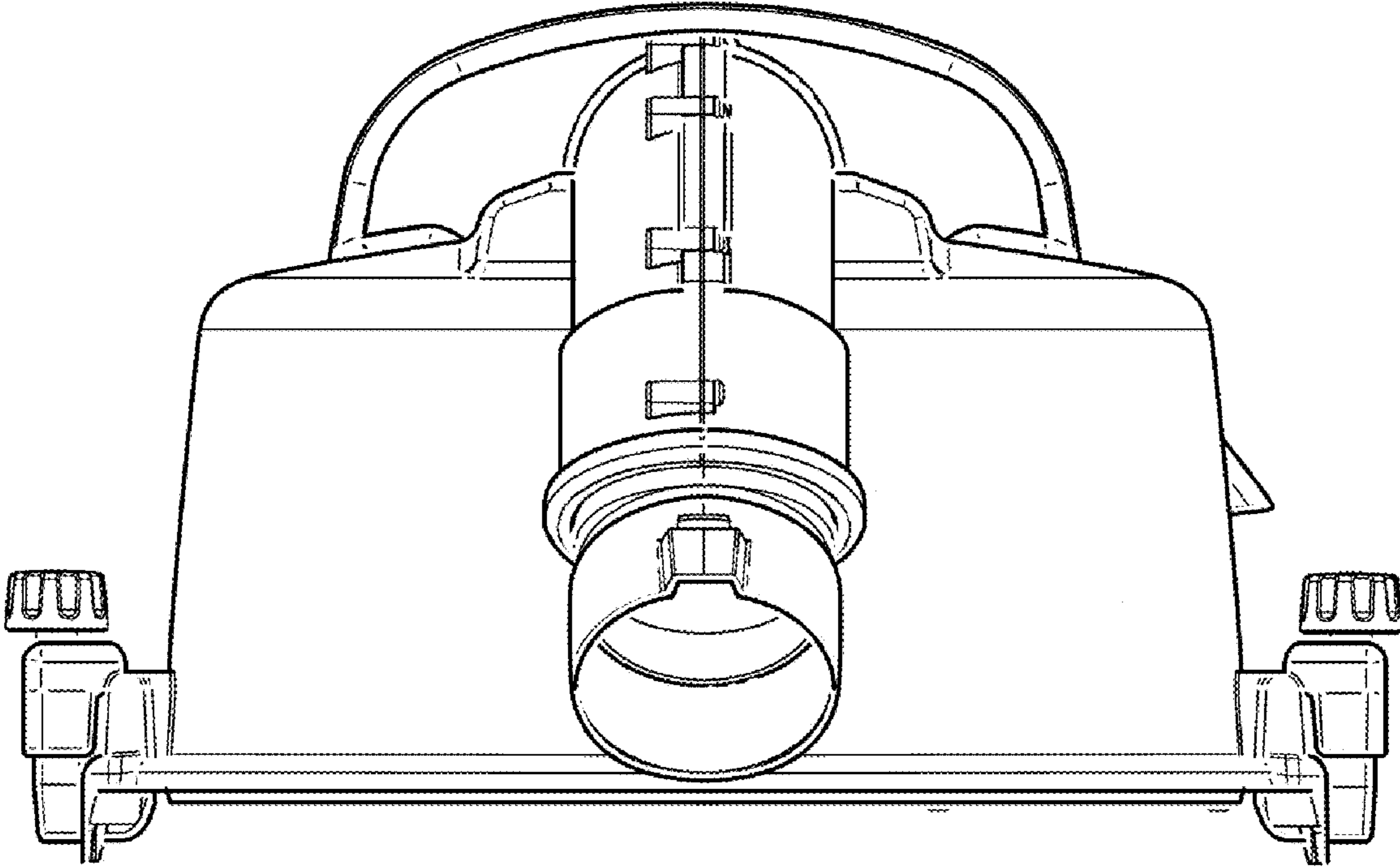


FIG. 2

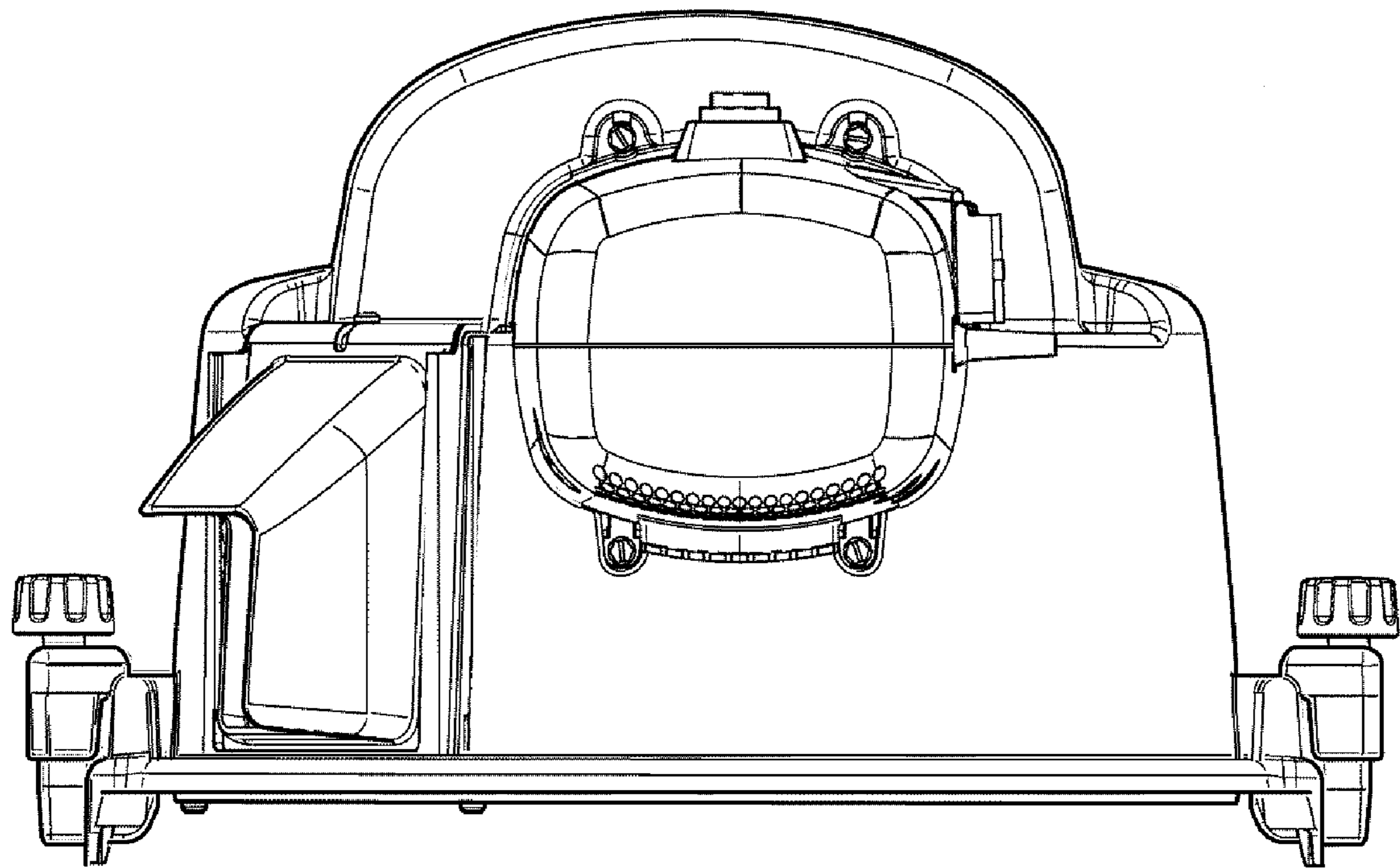


FIG. 3

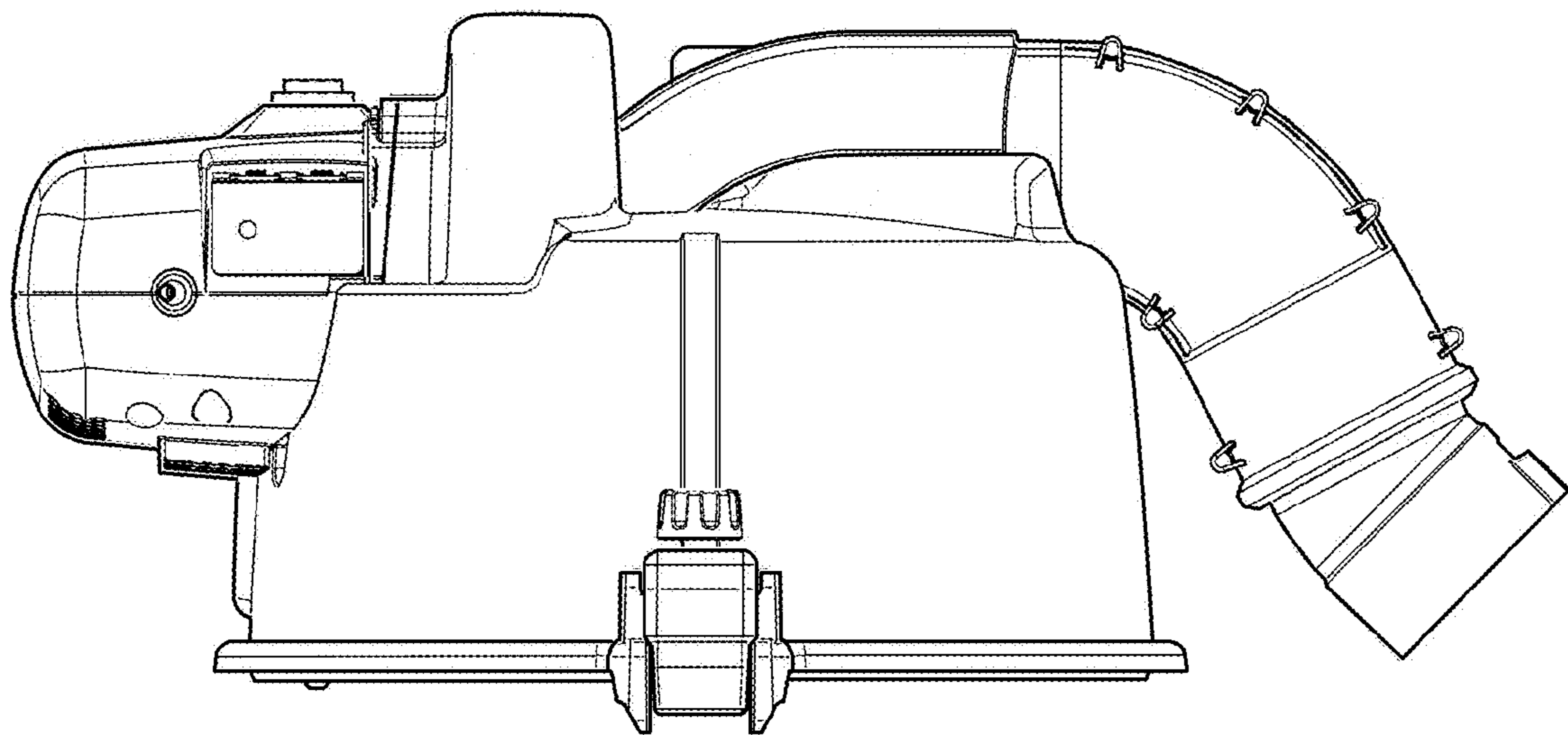


FIG. 4

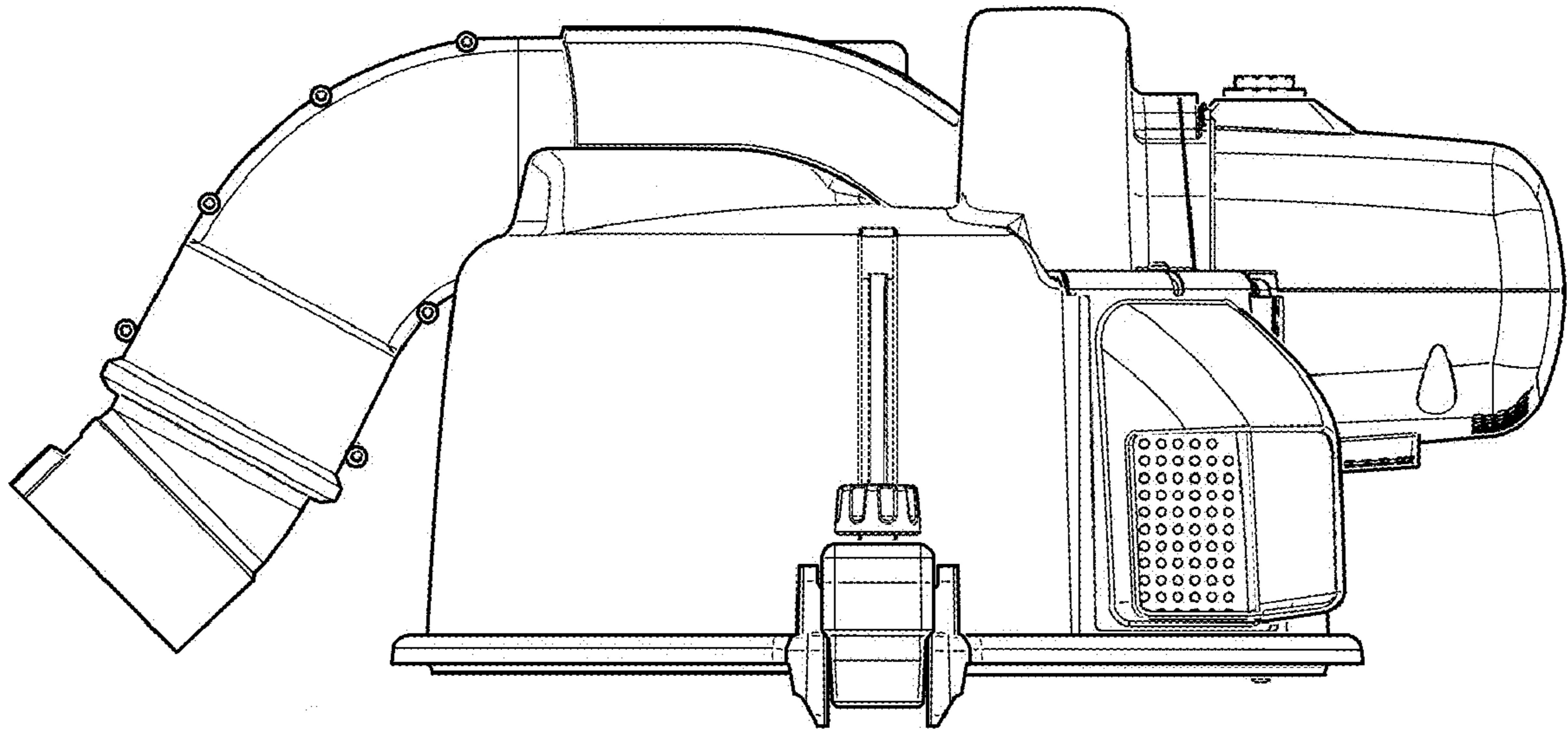


FIG. 5

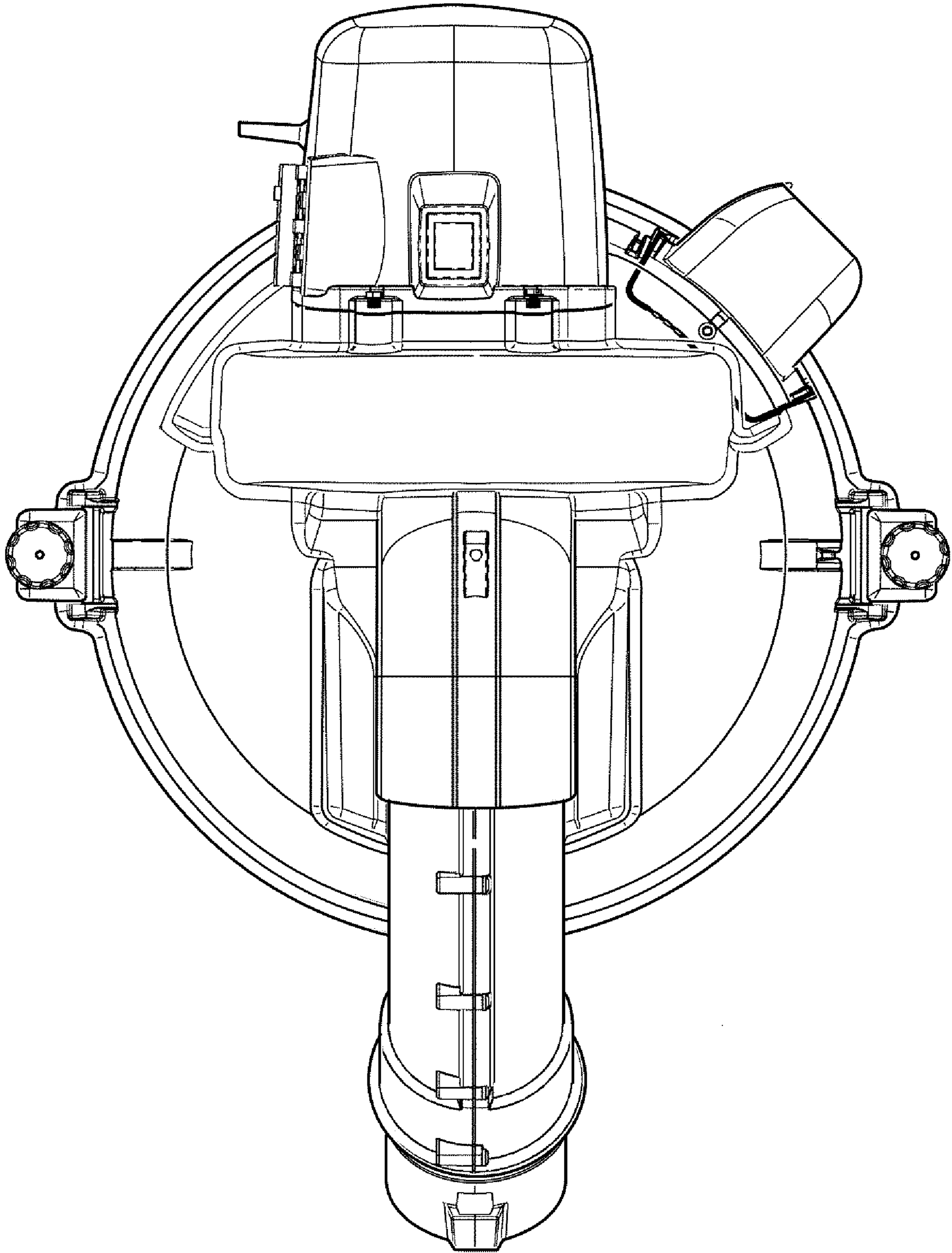


FIG. 6