



US00D599062S

(12) **United States Design Patent**
Jakubowski et al.

(10) **Patent No.:** **US D599,062 S**

(45) **Date of Patent:** **** Aug. 25, 2009**

(54) **PET RAMP**

(75) Inventors: **Todd J. Jakubowski**, Rutland, VT (US);
Scott J. Jakubowski, Castleton, VT
(US); **Chris Jakubowski**, Rutland Town,
VT (US); **Guang-Sheng Lin**,
Guangdong (CN)

(73) Assignee: **Vermont Juvenile Furniture Mfg., Inc.**,
Rutland, VT (US)

(**) Term: **14 Years**

(21) Appl. No.: **29/281,711**

(22) Filed: **Jun. 29, 2007**

(51) **LOC (9) Cl.** **30-99**

(52) **U.S. Cl.** **D30/199**

(58) **Field of Classification Search** D30/199,
D30/119, 160, 108, 118, 158, 161, 109, 117;
119/847, 849, 168, 51.01, 468, 484, 482,
119/412, 496-498, 706-711, 28.5, 165, 702,
119/485, 479, 537, 848; 182/180.1, 94; 160/213;
52/7, 183; 14/71.1, 69.5; D34/32; 414/537,
414/480; 5/413 R; 108/156
See application file for complete search history.

(56) **References Cited**

U.S. PATENT DOCUMENTS

314,325 A * 3/1885 Frazee 14/69.5
963,918 A * 7/1910 Miller 14/69.5
3,756,440 A * 9/1973 Raap et al. 414/537
3,818,528 A * 6/1974 Petersen 14/69.5
D246,449 S * 11/1977 Poe D34/32

4,068,770 A * 1/1978 Boehringer 414/537
D299,776 S * 2/1989 Canterbury D34/32
D300,073 S * 2/1989 Crump D34/32
4,845,792 A * 7/1989 Bakula et al. 14/69.5
4,864,672 A * 9/1989 Altieri et al. 14/69.5
4,944,546 A * 7/1990 Keller 296/61
5,324,004 A * 6/1994 Richardson 254/88
D351,688 S * 10/1994 Northrop et al. D30/119
D351,710 S * 10/1994 Richardson D34/32
D357,790 S * 4/1995 McMillan D34/32

(Continued)

Primary Examiner—Susan Moon Lee

(74) *Attorney, Agent, or Firm*—Volpe and Koenig, P.C.

(57) **CLAIM**

The ornamental design for a pet ramp, as shown and described.

DESCRIPTION

FIG. 1 is a top front perspective view of a pet ramp in accordance with our new design;

FIG. 2 is a right-side elevational view thereof;

FIG. 3 is a left-side elevational view thereof;

FIG. 4 is a top plan view thereof;

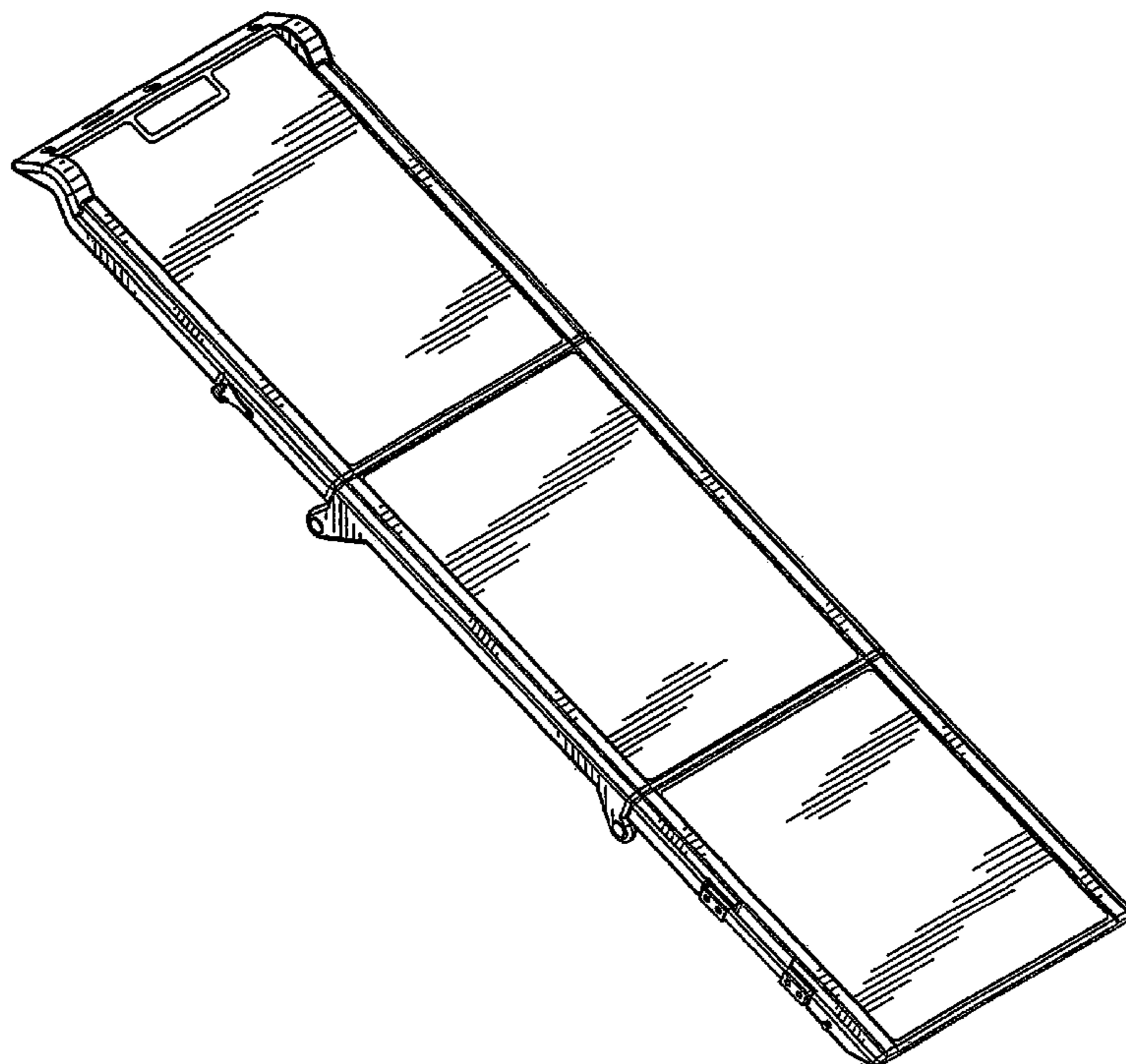
FIG. 5 is a front elevational view thereof;

FIG. 6 is a rear elevational view thereof;

FIG. 7 is a bottom view thereof; and,

FIG. 8 is a perspective view showing the pet ramp of FIGS. 1-7 in a folded position.

1 Claim, 4 Drawing Sheets



US D599,062 S

Page 2

U.S. PATENT DOCUMENTS

D388,927	S *	1/1998	Morgan	D34/32	6,928,959	B1 *	8/2005	Trauernicht et al.	119/847
5,815,870	A *	10/1998	Deutch et al.	14/69.5	7,082,637	B1 *	8/2006	Griffin	14/69.5
5,933,898	A *	8/1999	Estes et al.	14/69.5	7,493,874	B2 *	2/2009	Simpson et al.	119/849
6,009,587	A *	1/2000	Beeman	14/69.5	7,523,516	B1 *	4/2009	Waddell et al.	14/69.5
6,119,634	A *	9/2000	Myrick	119/847	7,526,826	B2 *	5/2009	Bailie	14/69.5
D444,286	S *	6/2001	Ahne	D34/32	2002/0144364	A1 *	10/2002	Anderson et al.	14/69.5
6,267,082	B1 *	7/2001	Naragon et al.	119/849	2003/0213072	A1 *	11/2003	Myrick et al.	14/69.5
6,343,908	B1 *	2/2002	Oudsten et al.	414/537	2006/0150346	A1 *	7/2006	Myrick et al.	14/69.5
6,378,927	B1 *	4/2002	Parry-Jones et al.	296/61	2006/0200919	A1 *	9/2006	Frahm et al.	14/69.5
6,430,769	B1 *	8/2002	Allen	14/69.5	2006/0245883	A1 *	11/2006	Fontaine et al.	414/537
6,431,815	B1 *	8/2002	Zarzecki et al.	414/537	2007/0234491	A1 *	10/2007	Bailie	14/69.5
6,536,064	B1 *	3/2003	Swink et al.	14/69.5	2008/0187425	A1 *	8/2008	Morris et al.	414/537
6,725,487	B2 *	4/2004	Myrick et al.	14/69.5	2008/0201873	A1 *	8/2008	Haimoff	14/69.5
6,811,067	B2 *	11/2004	Muizelaar et al.	224/404	2008/0257280	A1 *	10/2008	Jakubowski et al.	119/849

* cited by examiner

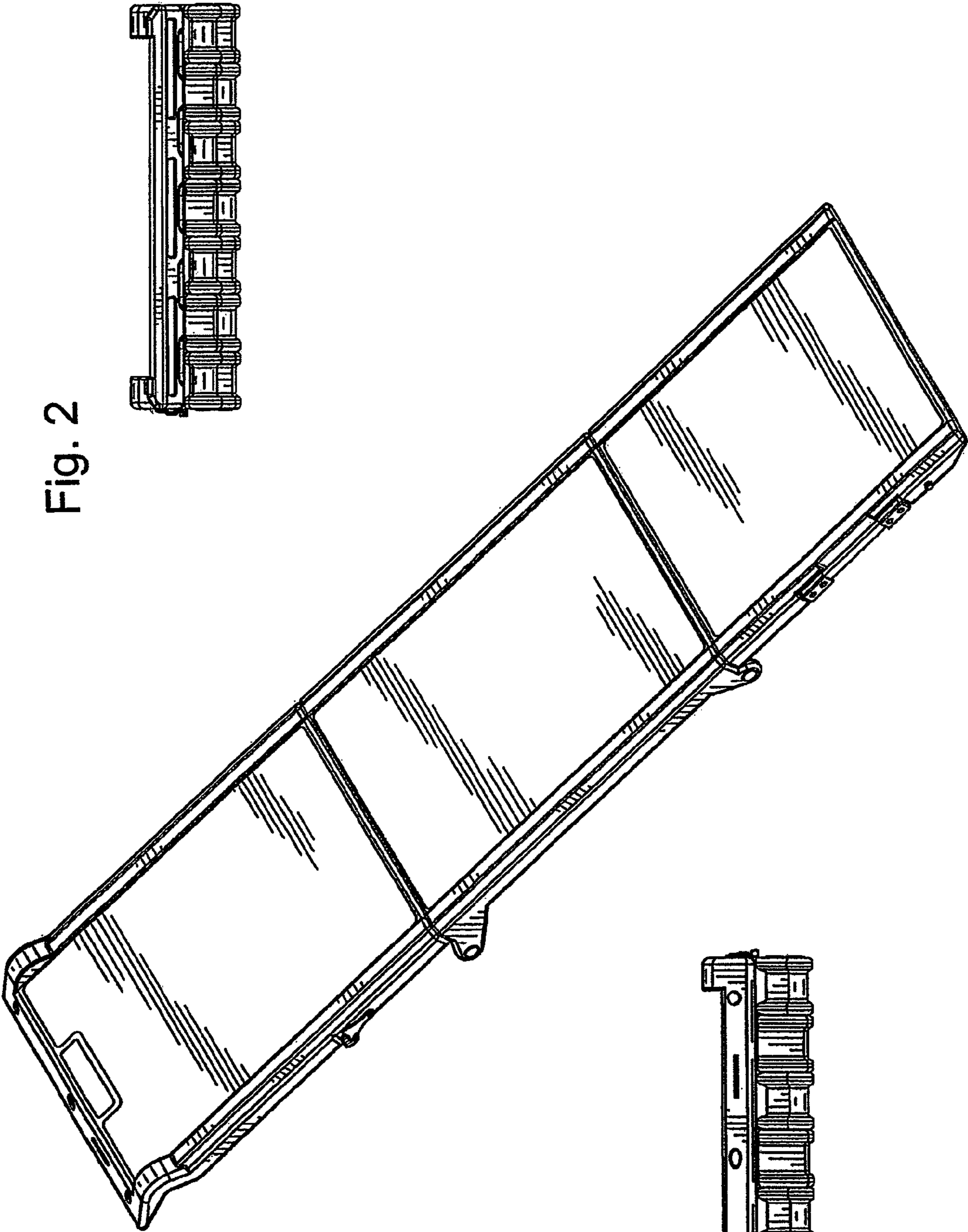


Fig. 1

Fig. 2

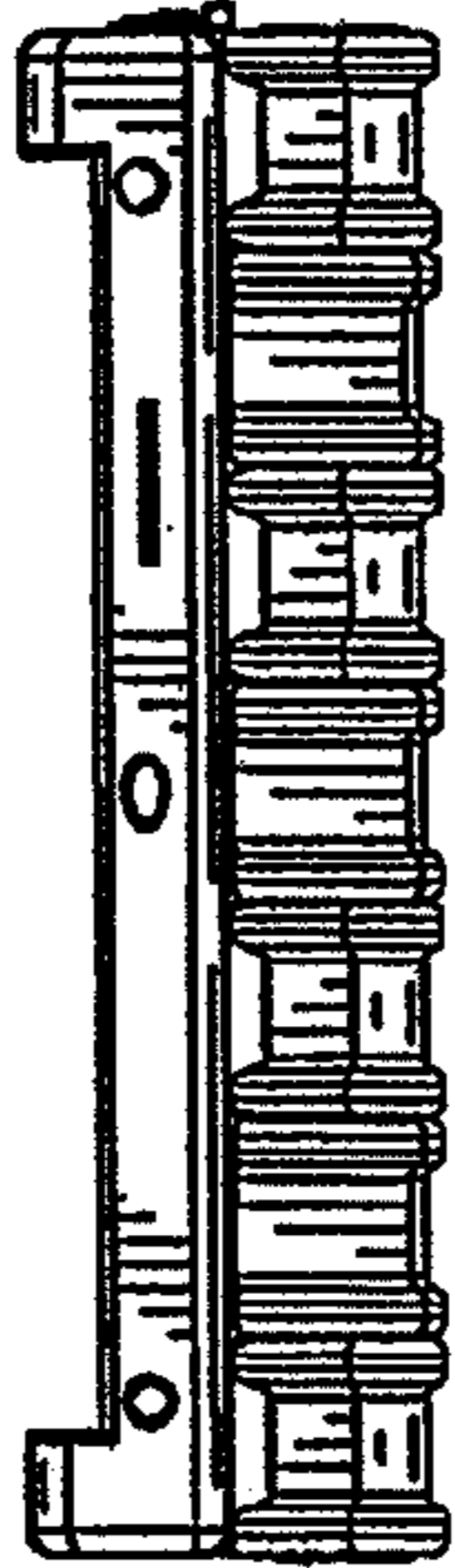
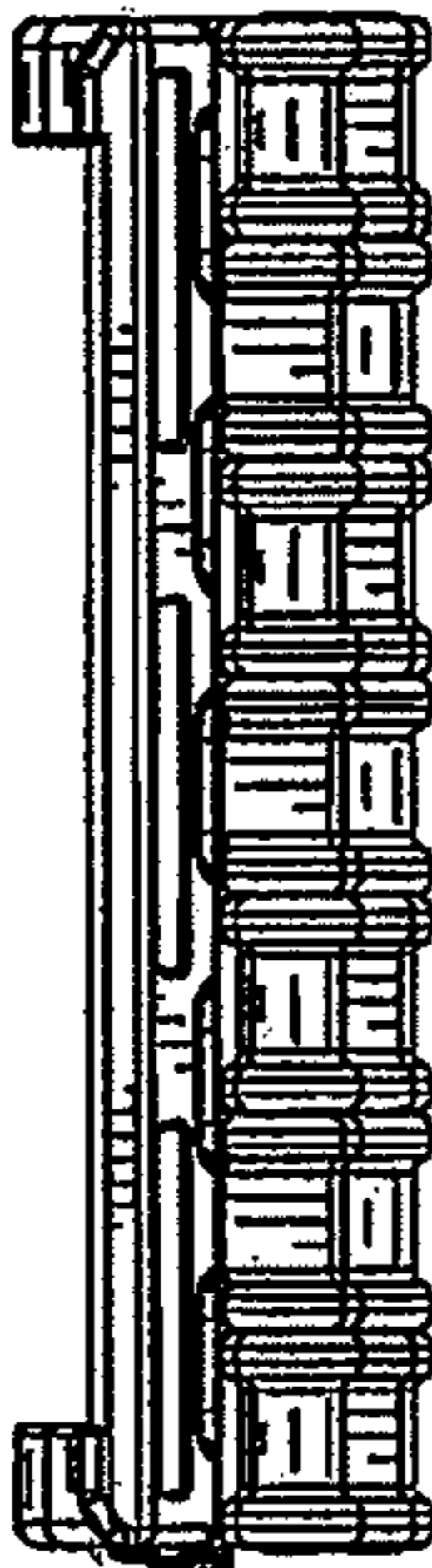


Fig. 3

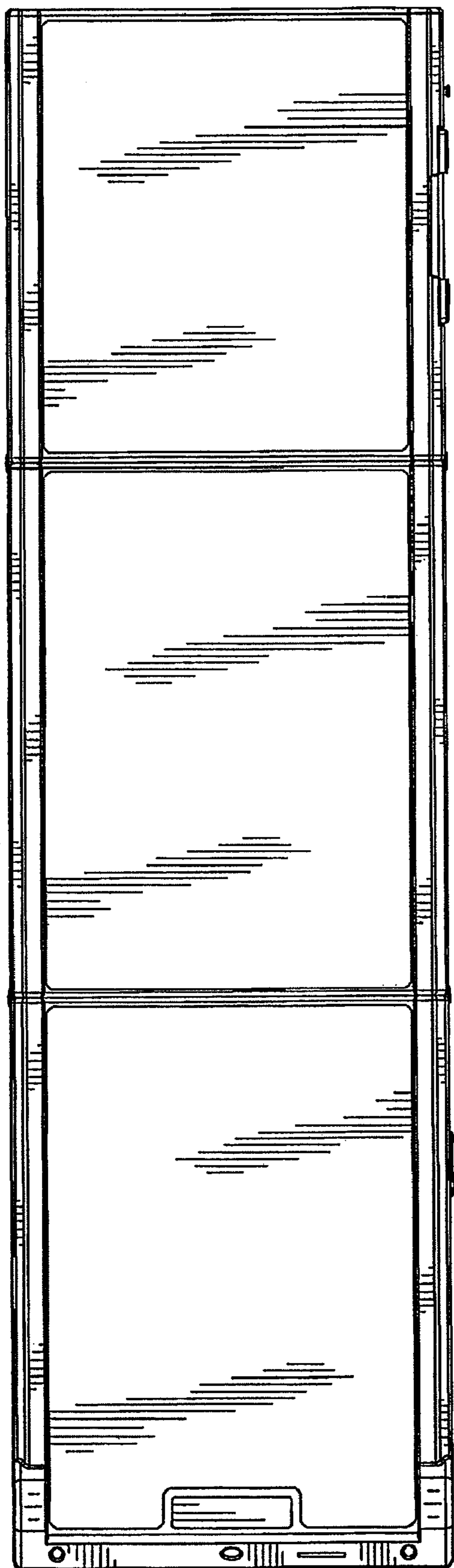


Fig. 4

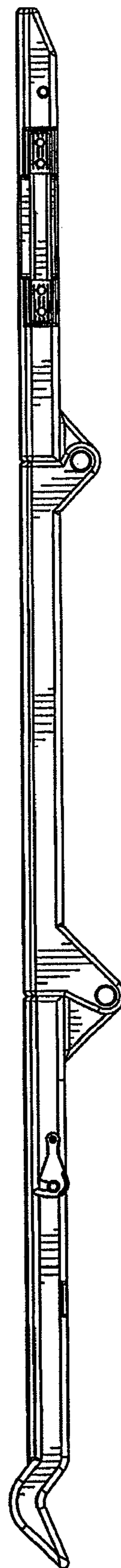


Fig. 5

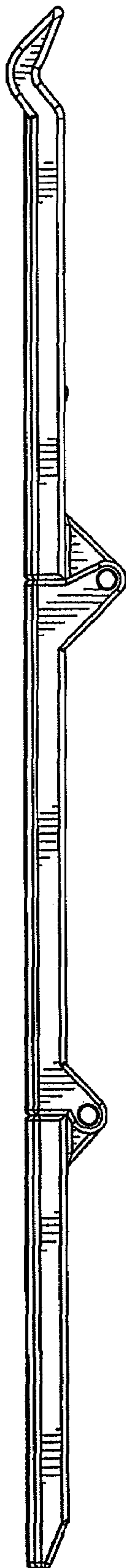


Fig. 6

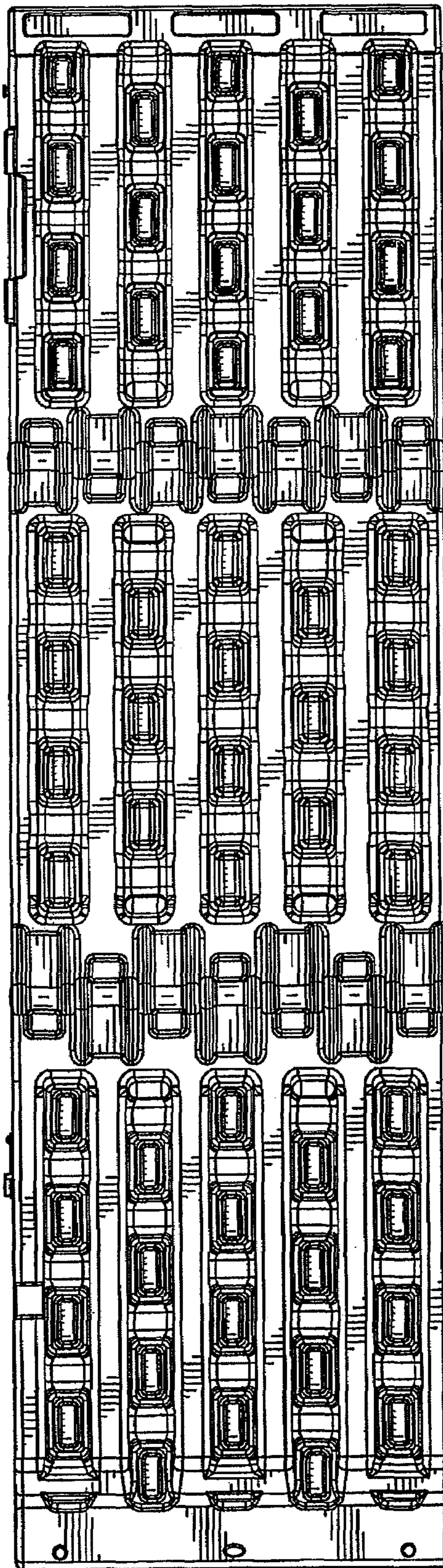


Fig. 7

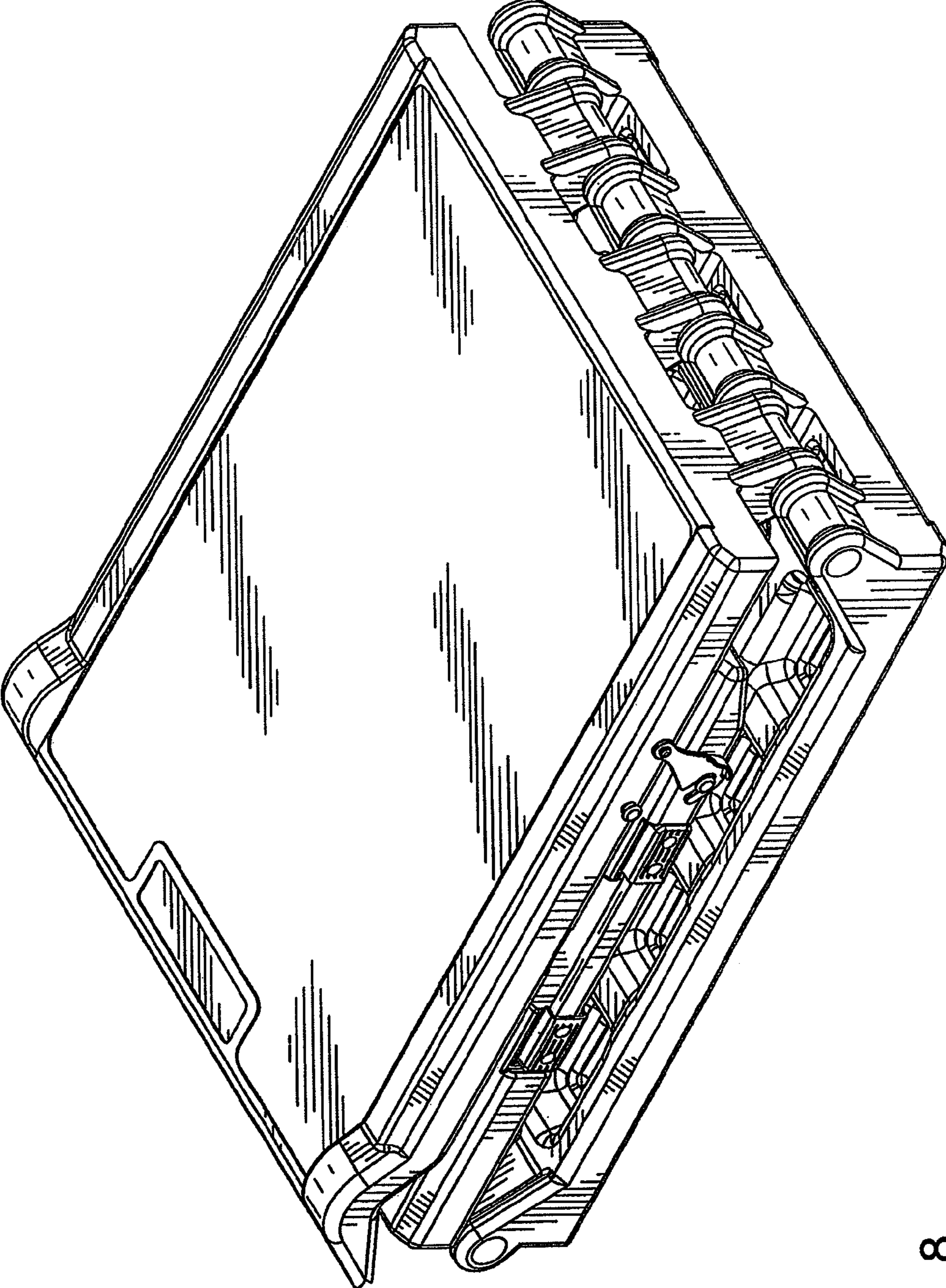


Fig. 8