

US00D599059S

(12) **United States Design Patent**
Clerch

(10) **Patent No.:** **US D599,059 S**

(45) **Date of Patent:** **** Aug. 25, 2009**

(54) **HAND DRYER**

(75) Inventor: **Luis Sau Clerch**, Barcelona (ES)

(73) Assignee: **Mediclinics, S.A.**, Barcelona (ES)

(**) Term: **14 Years**

(21) Appl. No.: **29/276,473**

(22) Filed: **Jan. 26, 2007**

(30) **Foreign Application Priority Data**

Jul. 27, 2006 (EM) 00566302-0001

(51) **LOC (9) Cl.** **28-03**

(52) **U.S. Cl.** **D28/54.1**

(58) **Field of Classification Search** D28/12,
D28/54.1, 58; 34/266, 201, 202; 392/381,
392/380; D23/357, 361, 385

See application file for complete search history.

(56) **References Cited**

U.S. PATENT DOCUMENTS

- D415,857 S * 10/1999 Ayre D28/54.1
- D420,764 S * 2/2000 Conway et al. D26/54.1
- D428,204 S * 7/2000 Elliott D28/54.1
- D432,266 S * 10/2000 Lefebvre D28/54.1
- D441,139 S * 4/2001 Hansen D28/54.1
- D481,826 S * 11/2003 Martinuzzo et al. D28/54.1
- D542,974 S * 5/2007 Karraker et al. D28/54.1

D543,661 S * 5/2007 Liao D28/54.1

* cited by examiner

Primary Examiner—Janice E Seeger

Assistant Examiner—Zenia I Bennett

(74) *Attorney, Agent, or Firm*—Sturm & Fix LLP

(57) **CLAIM**

The ornamental design for a hand dryer, as shown and described.

DESCRIPTION

FIG. 1 is a top plan view of the hand dryer, showing my new design;

FIG. 2 is a right side plan view of the hand dryer, shown in FIG. 1;

FIG. 3 is a front elevational view of the hand dryer;

FIG. 4 is a bottom plan view of the hand dryer;

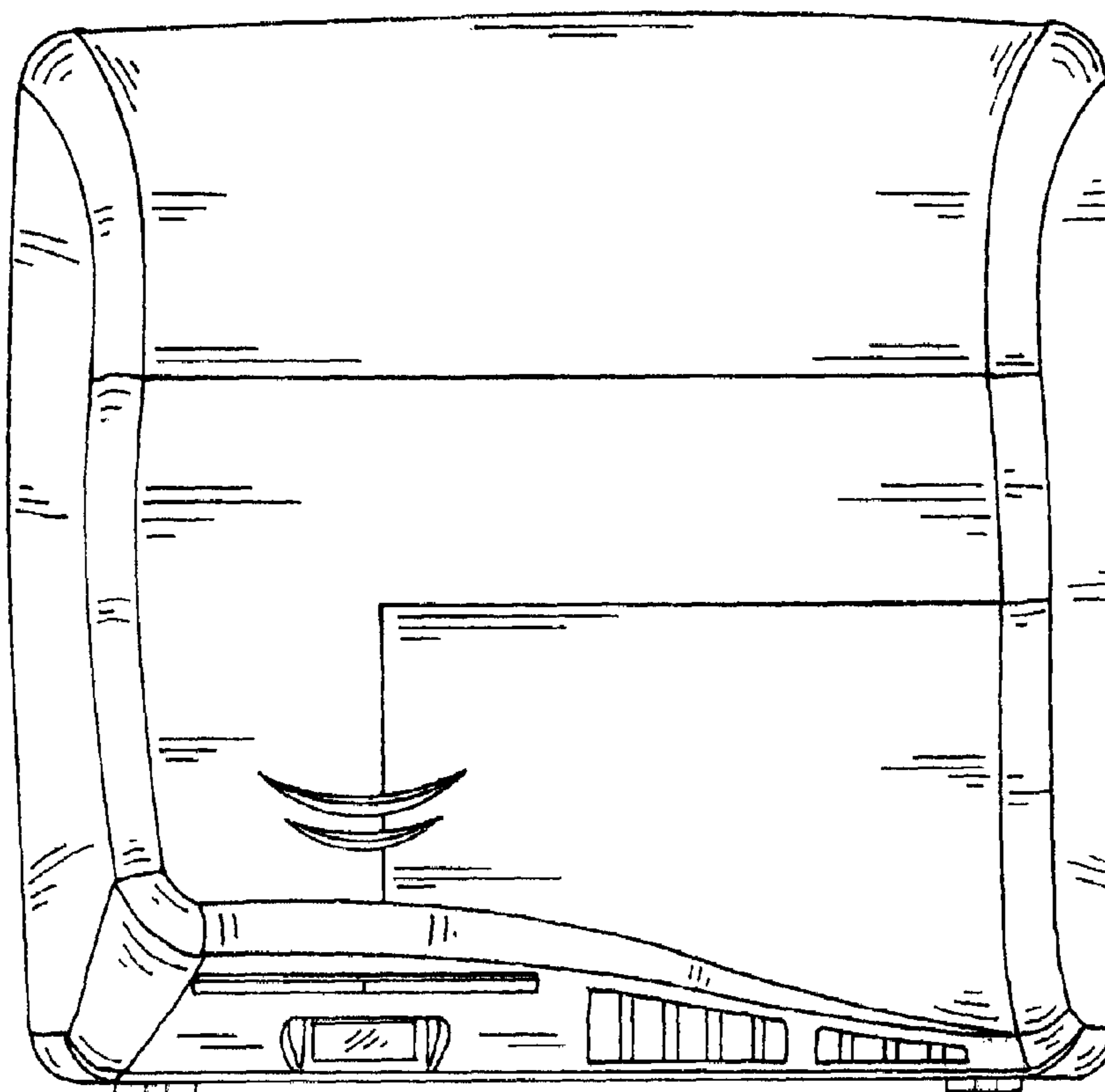
FIG. 5 is an upper right hand perspective view of the hand dryer showing the rear of the dryer at the top;

FIG. 6 is a perspective view of the hand dryer viewed from the upper right front side; and,

FIG. 7 is a perspective view of the hand dryer viewed from the upper left front side.

The broken lines are for environmental purposes only and form no part of the claimed design.

1 Claim, 4 Drawing Sheets



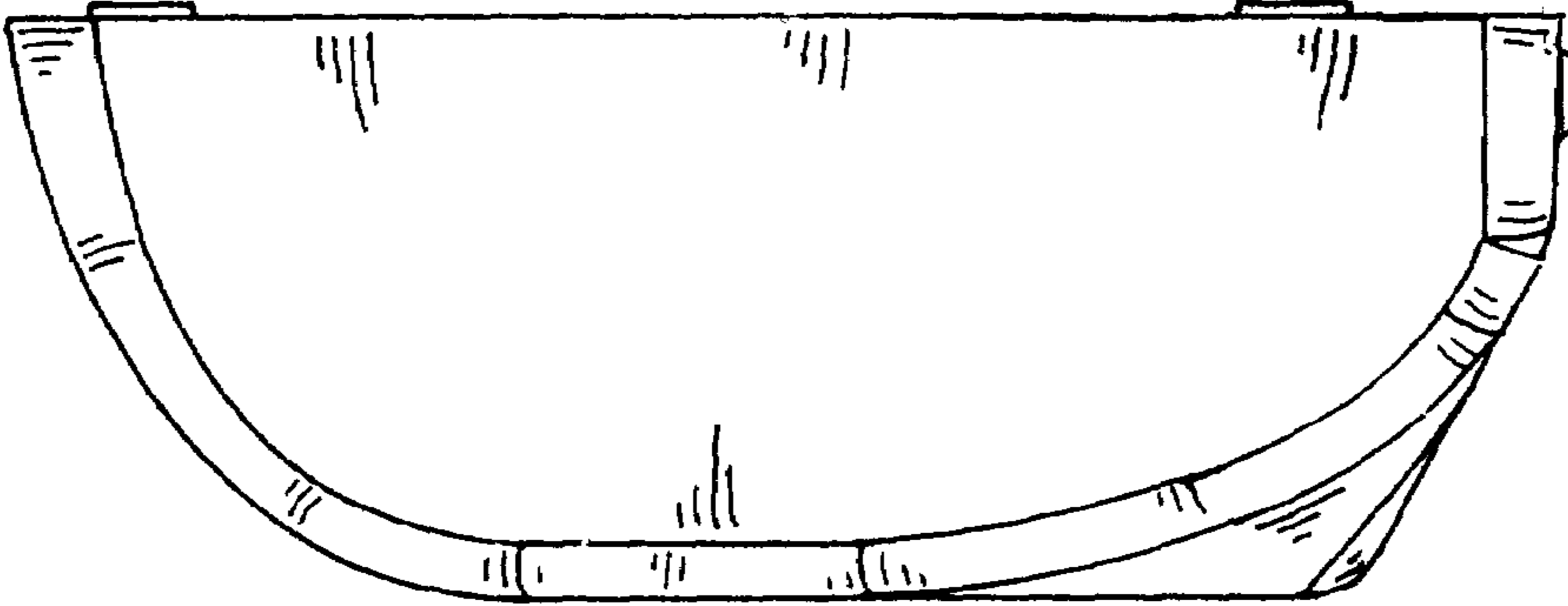


FIG. 2

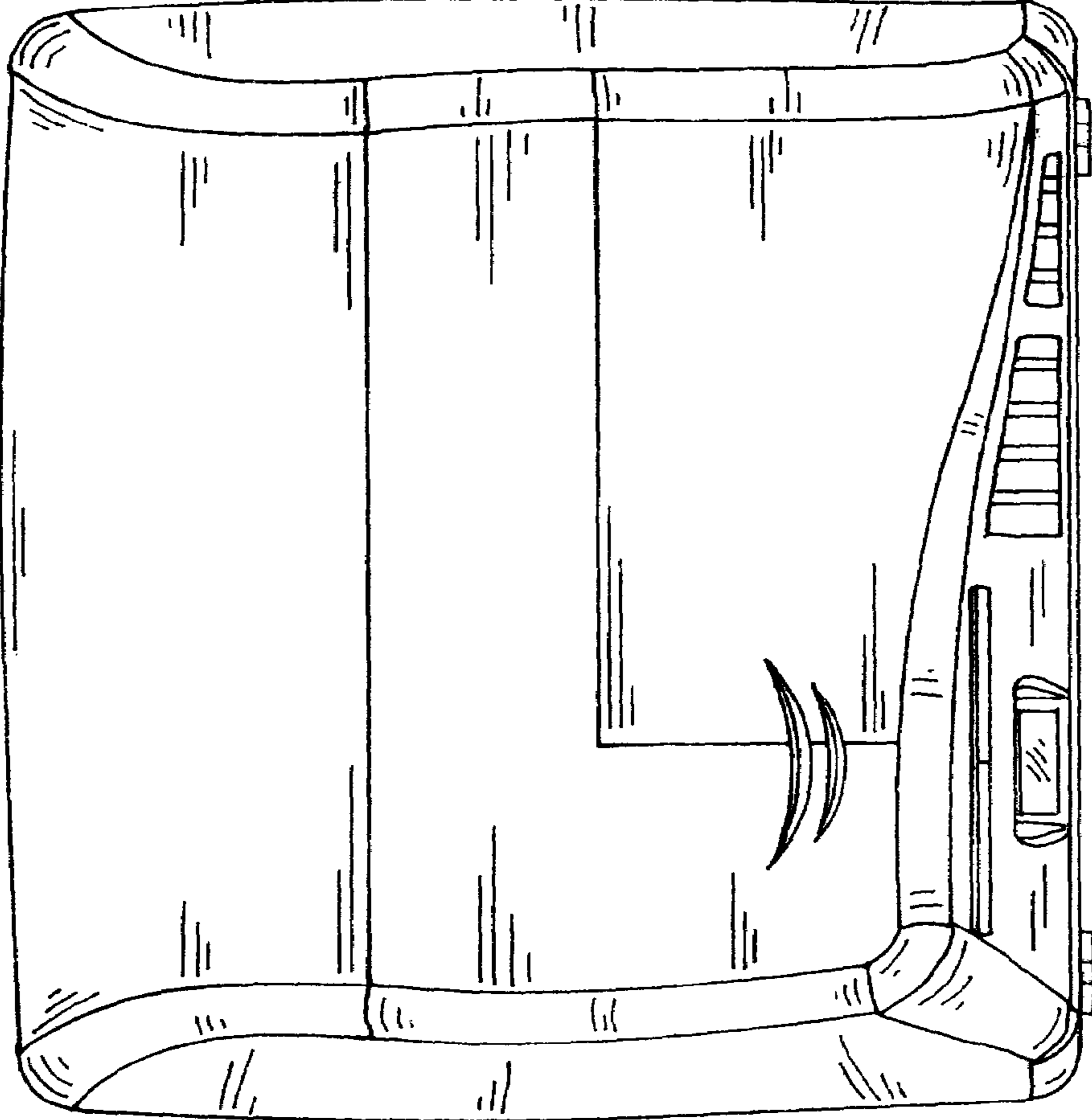


FIG. 1

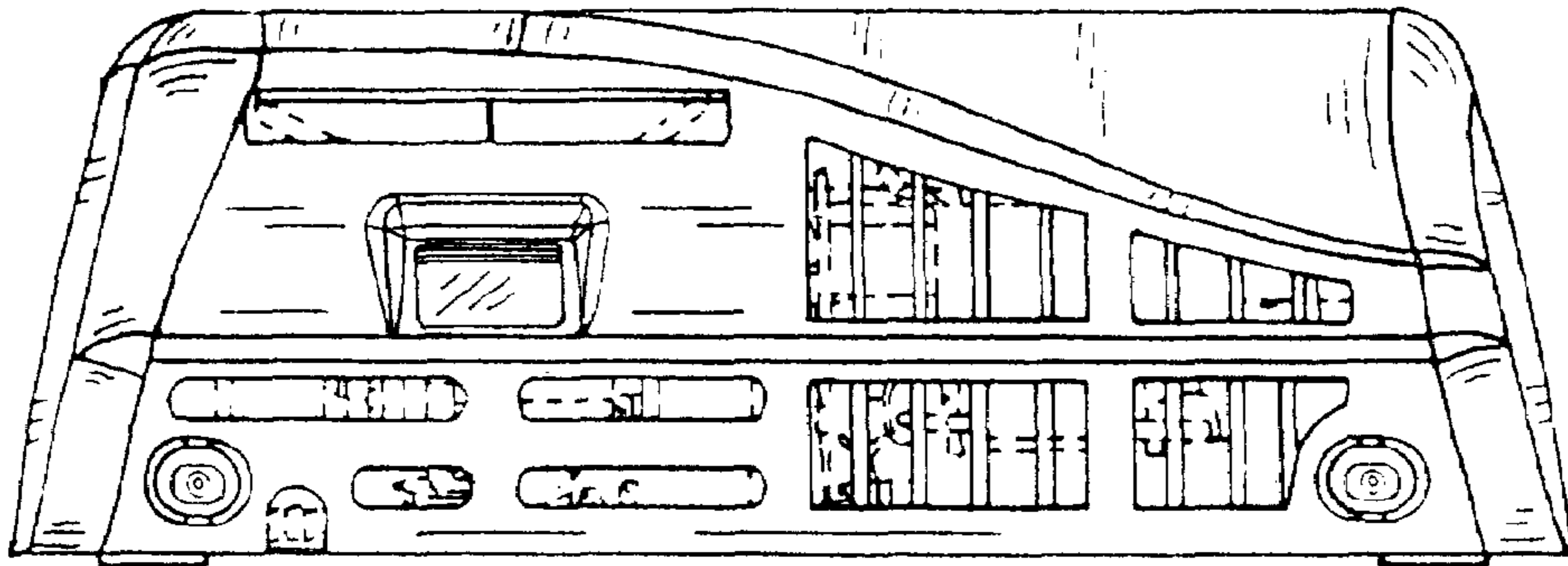


FIG. 3

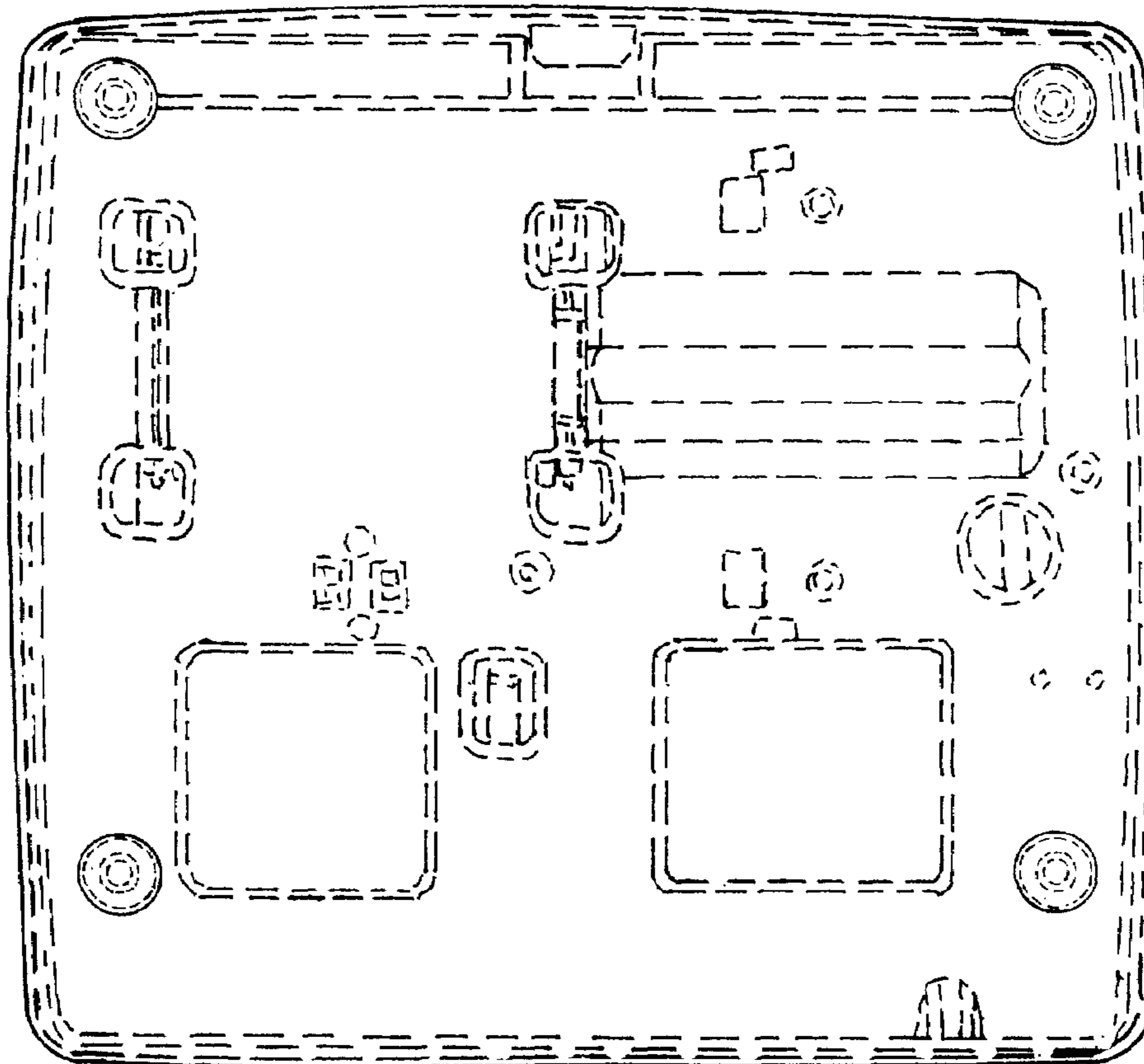


FIG. 4

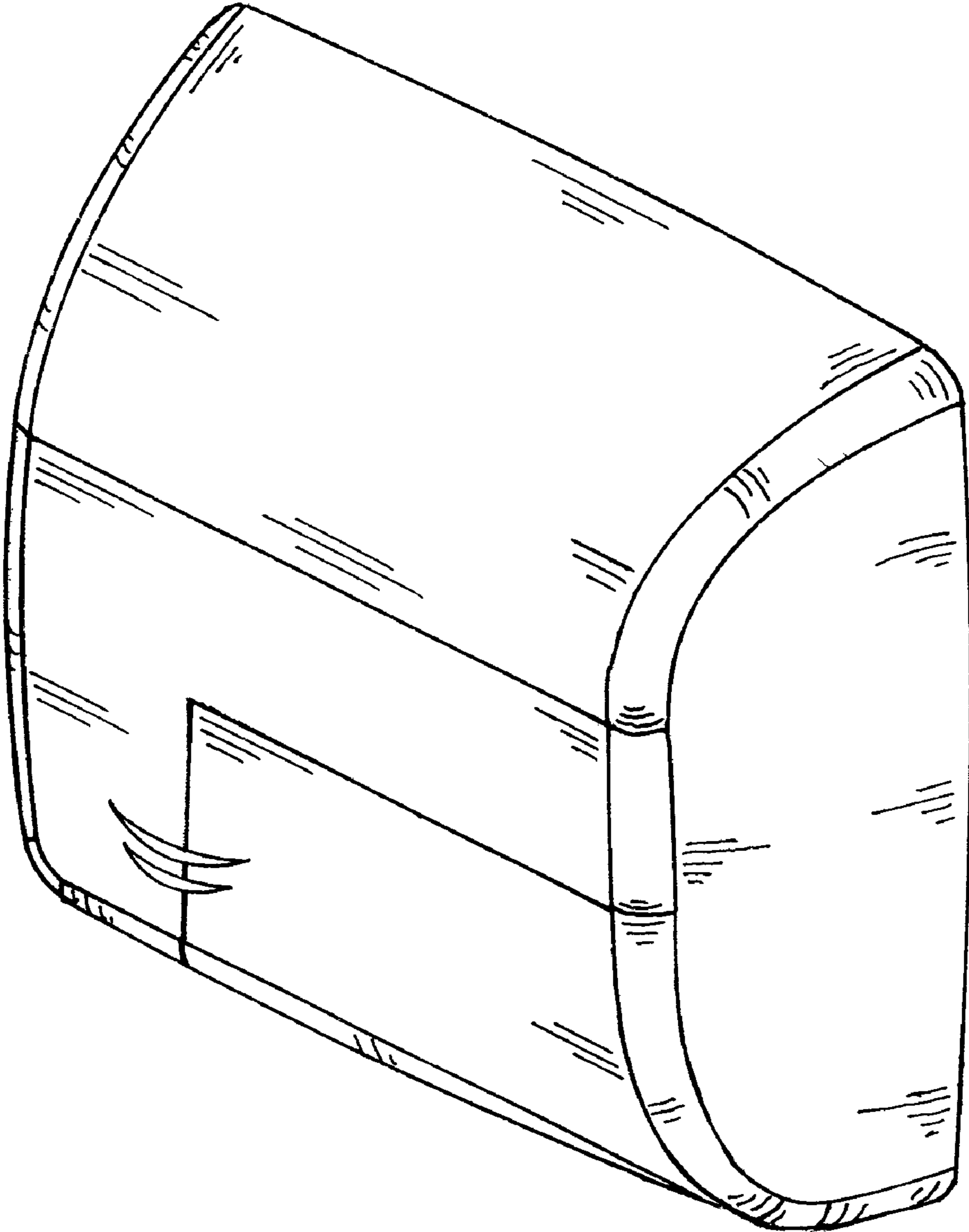


FIG. 5

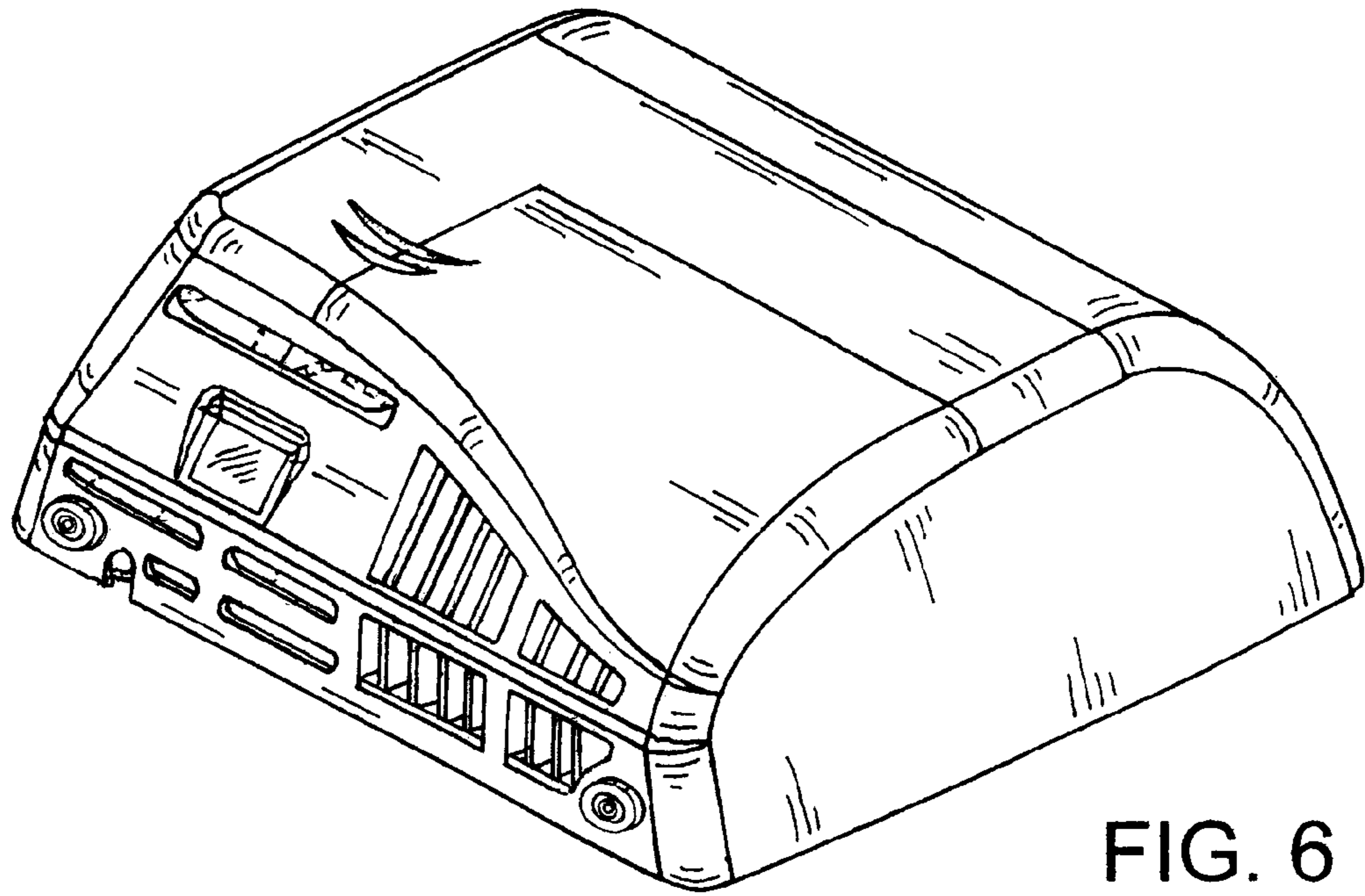


FIG. 6

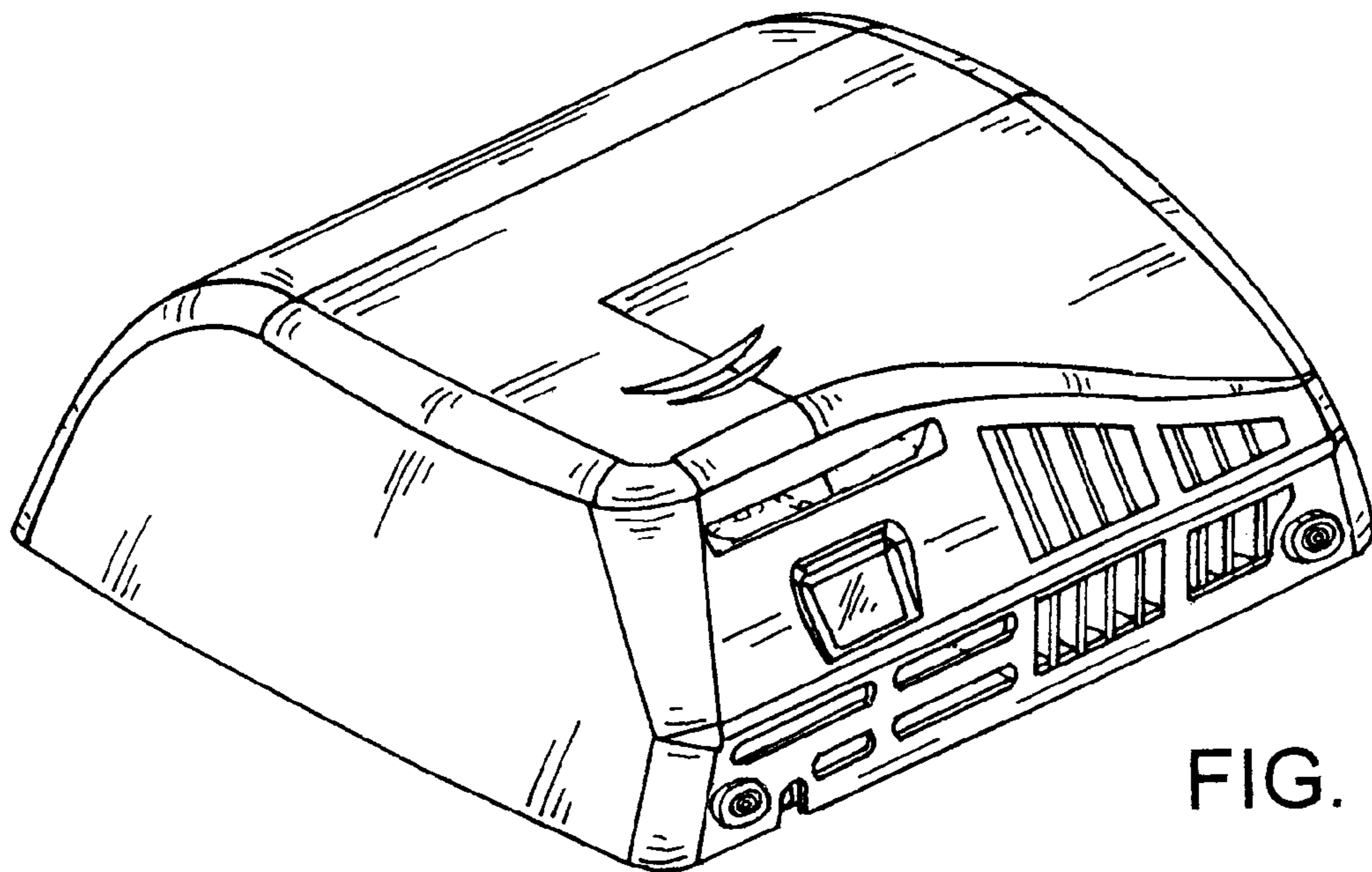


FIG. 7