



US00D599055S

(12) **United States Design Patent**
Daum

(10) **Patent No.:** **US D599,055 S**

(45) **Date of Patent:** **** Aug. 25, 2009**

(54) **LOTION APPLICATOR**

(76) Inventor: **Stephen Daum**, 105 Lakeview Ct.,
Milford, PA (US) 18337

(**) Term: **14 Years**

(21) Appl. No.: **29/301,990**

(22) Filed: **Mar. 26, 2008**

(51) **LOC (9) Cl.** **28-02**

(52) **U.S. Cl.** **D28/7**

(58) **Field of Classification Search** D28/7,
D28/8, 63, 91.2; D24/119; 15/104.93, 104.94,
15/209.1, 210.1; 401/136, 139, 196, 205;
601/138

See application file for complete search history.

(56) **References Cited**

U.S. PATENT DOCUMENTS

D246,804 S *	12/1977	Kesler	D28/7
4,078,865 A	3/1978	Moser		
D252,219 S *	6/1979	Peeples	D28/7
D257,447 S *	10/1980	Kesler	D28/7
D306,214 S *	2/1990	Delphus	D28/7
D308,734 S *	6/1990	Markovich et al.	D28/7
4,961,661 A	10/1990	Sutton et al.		
D333,191 S *	2/1993	Rainen	D28/7
D337,856 S *	7/1993	Butler et al.	D28/7
D363,377 S *	10/1995	Koptis	D4/122
D404,125 S *	1/1999	Weinstein	D24/119
D417,930 S	12/1999	Hawkes		

D460,580 S	7/2002	Angeletta		
6,536,970 B2	3/2003	Hauser et al.		
6,632,195 B1	10/2003	Smith		
D485,941 S *	1/2004	Johnson	D28/7
D490,565 S *	5/2004	Ali	D28/7
D493,570 S *	7/2004	Phillips	D28/7
D497,451 S *	10/2004	Hajianpour	D28/7
2003/0031501 A1	2/2003	Eadie		

* cited by examiner

Primary Examiner—Janice E Seeger

Assistant Examiner—Zenia I Bennett

(74) *Attorney, Agent, or Firm*—Kyle Fletcher

(57) **CLAIM**

The ornamental design for lotion applicator, as shown and described.

DESCRIPTION

FIG. 1 is a front elevational view of the lotion applicator showing my new design.

FIG. 2 is a rear elevational view of the device.

FIG. 3 is a right side elevational view of the device.

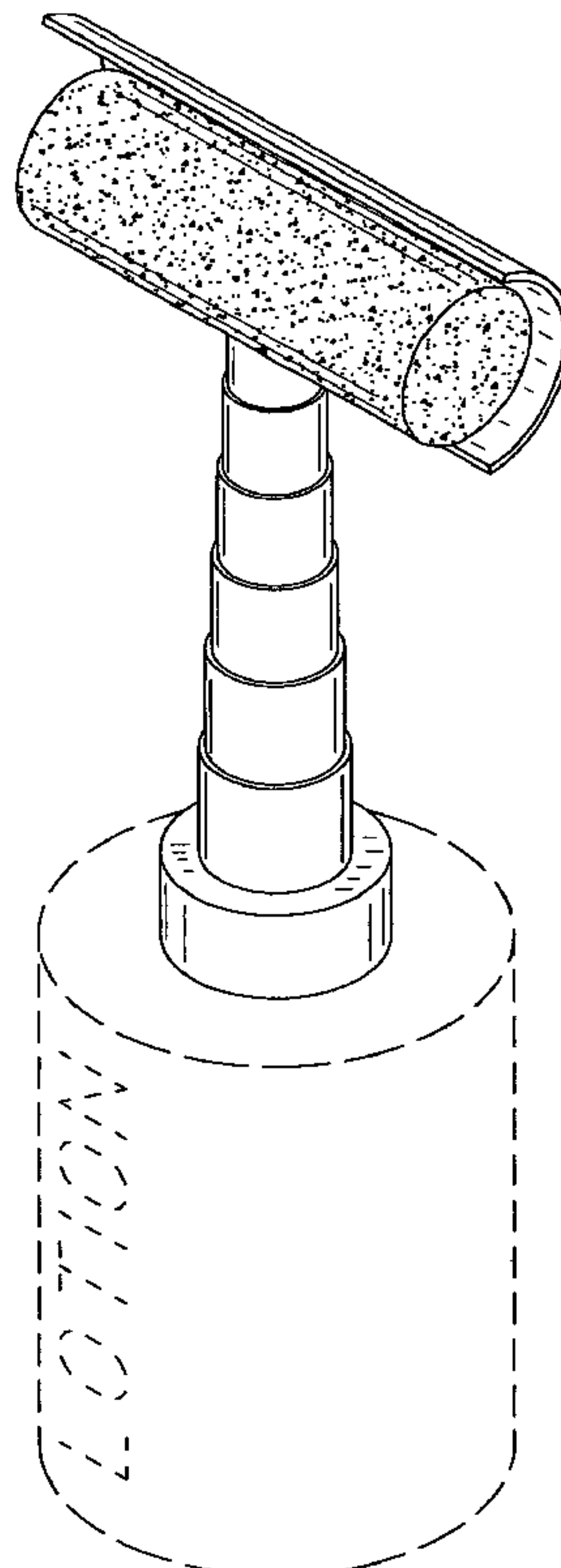
FIG. 4 is a top plan view of the device.

FIG. 5 is a bottom pan view of the device; and,

FIG. 6 is an isometric view of the device.

The broken lines in the drawings are for illustrative purposes and form no part of the claimed design.

1 Claim, 3 Drawing Sheets



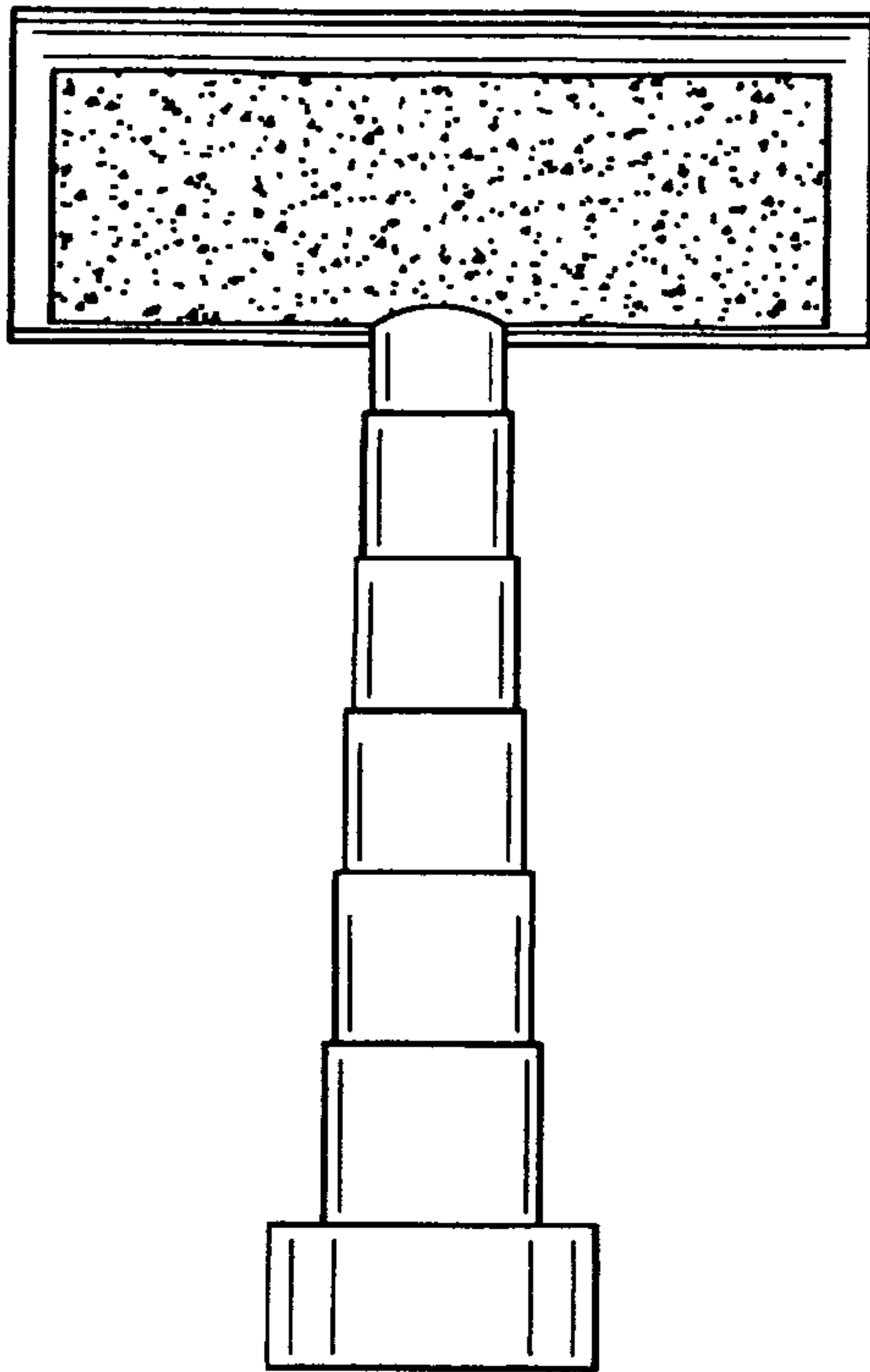


FIG. 1

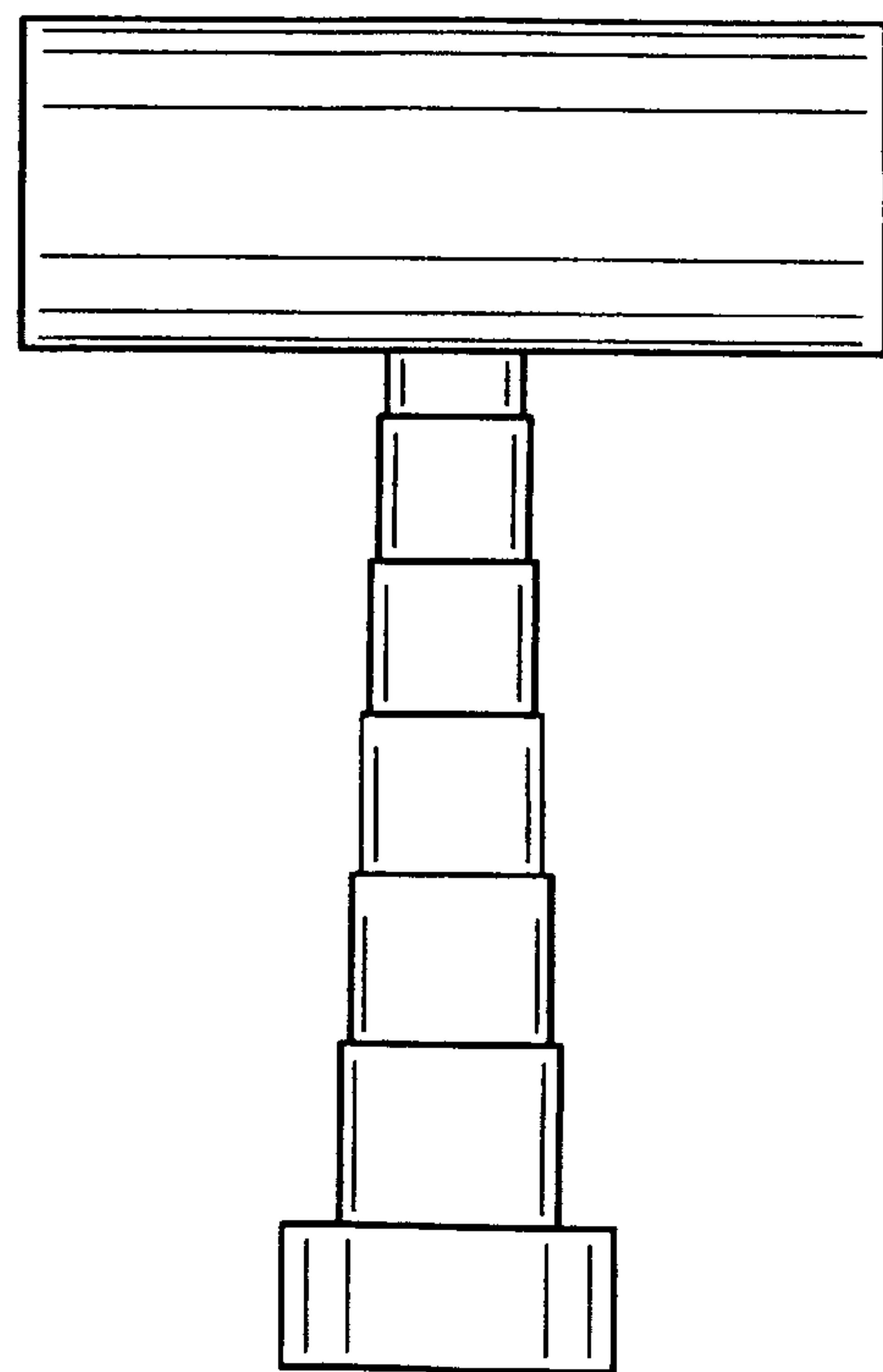


FIG. 2

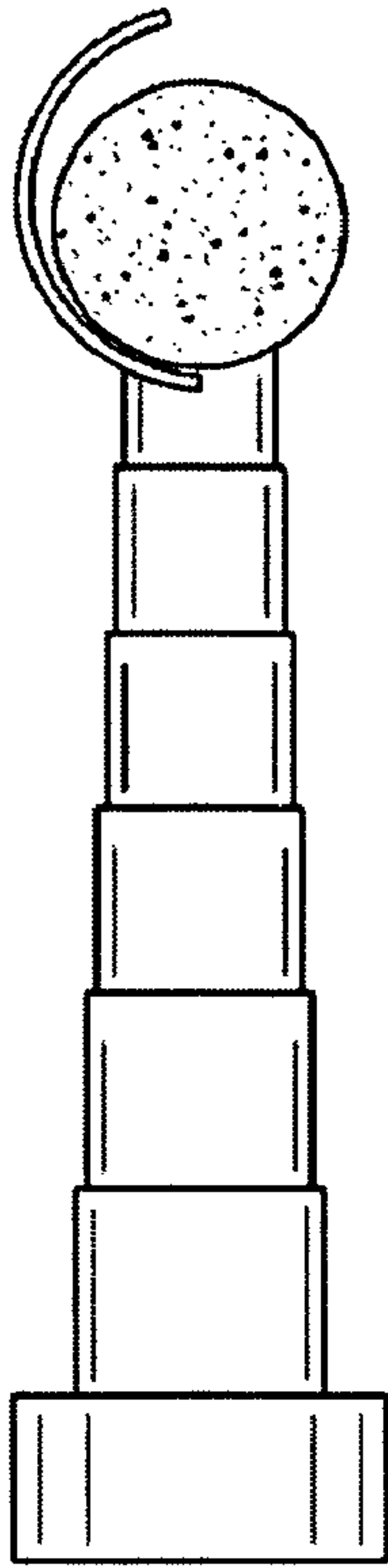


FIG. 3

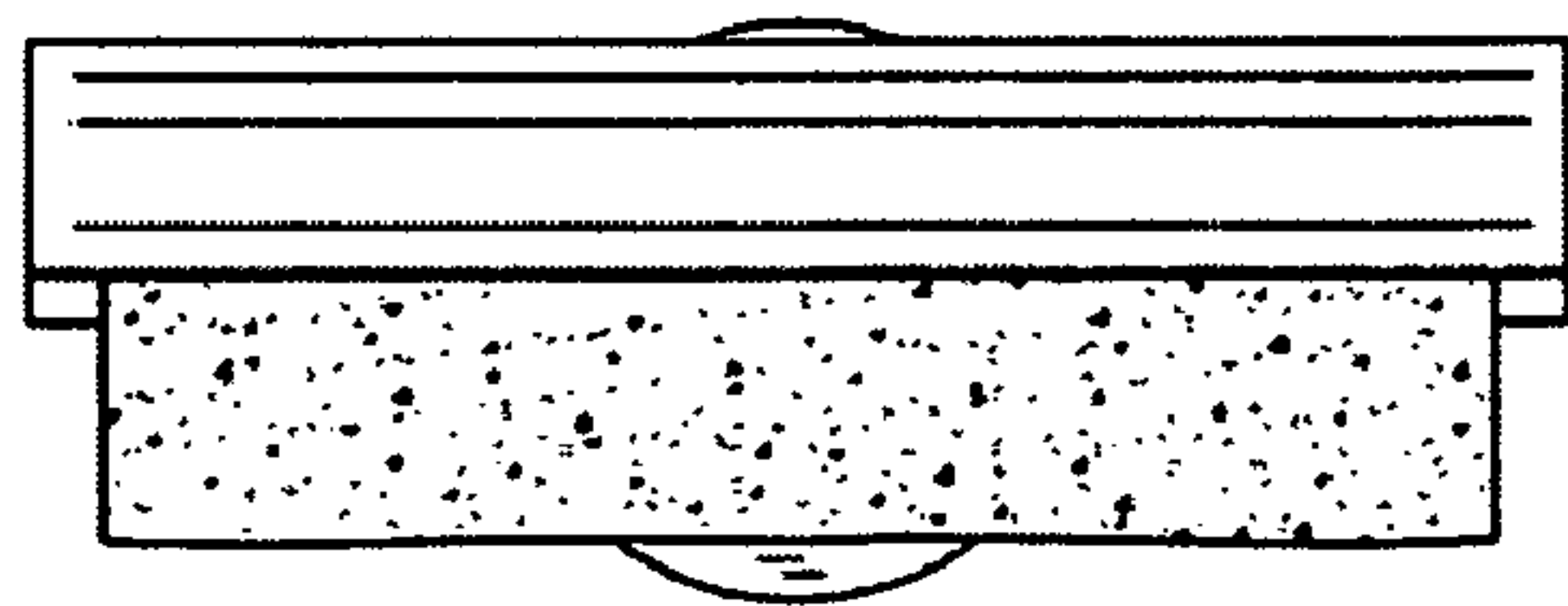


FIG. 4

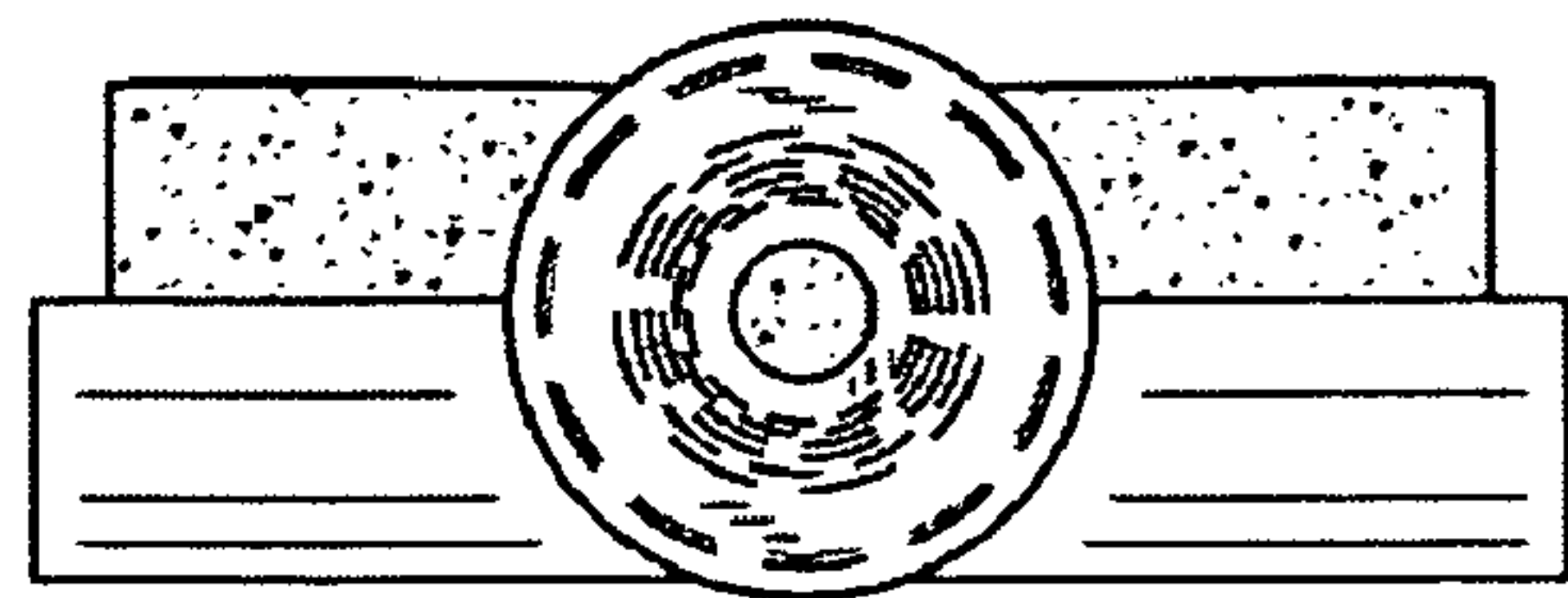


FIG. 5

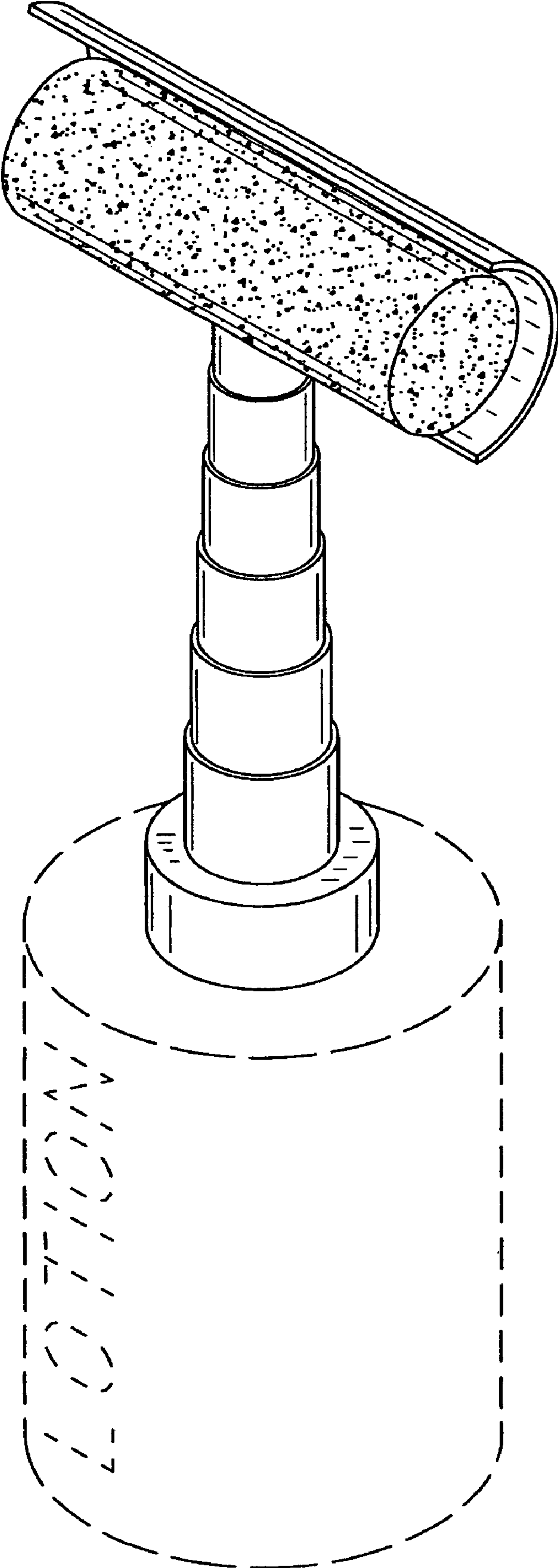


FIG. 6