

US00D599054S

(12) **United States Design Patent**
Yu

(10) **Patent No.:** **US D599,054 S**
(45) **Date of Patent:** **** Aug. 25, 2009**

(54) **CANOPY FOR LIGHT FIXTURE**

(75) Inventor: **Scott S. Yu**, San Francisco, CA (US)
(73) Assignee: **Vode Lighting, Inc.**, Sonoma, CA (US)
(**) Term: **14 Years**
(21) Appl. No.: **29/289,744**
(22) Filed: **Jul. 30, 2007**

(51) **LOC (9) Cl.** **26-99**
(52) **U.S. Cl.** **D26/155**
(58) **Field of Classification Search** D26/75,
D26/76, 77, 78, 85, 63, 24, 60, 61, 64, 66,
D26/72, 92, 113, 118, 120, 121, 122, 128,
D26/138, 140, 141, 142, 145, 152, 155; D12/223;
362/219, 217, 250, 418, 147, 220, 221, 222,
362/225, 455, 648, 232, 269, 270, 277, 432,
362/282, 285, 287, 319, 419, 430, 330, 346,
362/368, 370, 371

See application file for complete search history.

(56) **References Cited**

U.S. PATENT DOCUMENTS

3,131,871 A * 5/1964 Foulds 362/146
D285,124 S * 8/1986 Hoover D26/138
4,800,470 A * 1/1989 Hartsaw 362/493
5,272,605 A * 12/1993 Johnstone 362/147
5,488,548 A * 1/1996 Kwong 362/249
7,001,040 B2 * 2/2006 Wu 362/147
7,097,319 B2 * 8/2006 Mauk et al. 362/147

OTHER PUBLICATIONS

U.S. Appl. No. 11/890,064, Warton et al.
U.S. Appl. No. 11/890,061, Warton et al.
U.S. Appl. No. 11/890,065, Warton et al.
U.S. Appl. No. 11/890,062, Warton et al.
U.S. Appl. No. 29/289,743, Yu, S.
U.S. Appl. No. 29/289,761, Yu, S.
U.S. Appl. No. 29/289,868, Yu, S.

* cited by examiner

Primary Examiner—Cathron C Brooks
Assistant Examiner—Kevin K Rudzinski
(74) *Attorney, Agent, or Firm*—Peter Tormey

(57) **CLAIM**

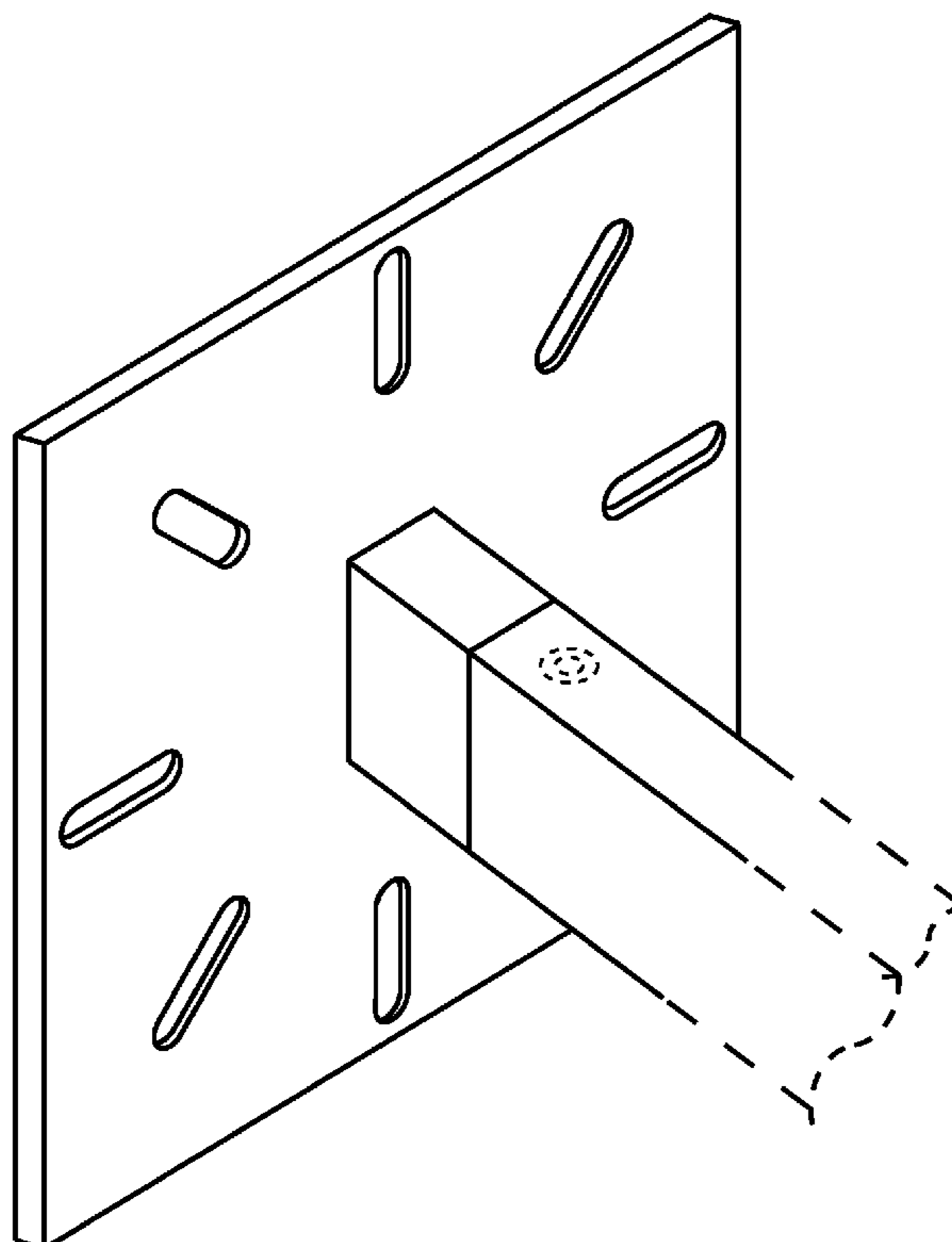
The ornamental design for a canopy for light fixture, as shown and described.

DESCRIPTION

FIG. 1 is a front perspective view
FIG. 2 is a left side view
FIG. 3 is a right side view
FIG. 4 is a front view
FIG. 5 is a bottom view
FIG. 6 is a top view; and,
FIG. 7 is rear view.

The broken lines shown are included for the purpose of illustrating environmental structure and form no part of the claimed design.

1 Claim, 7 Drawing Sheets



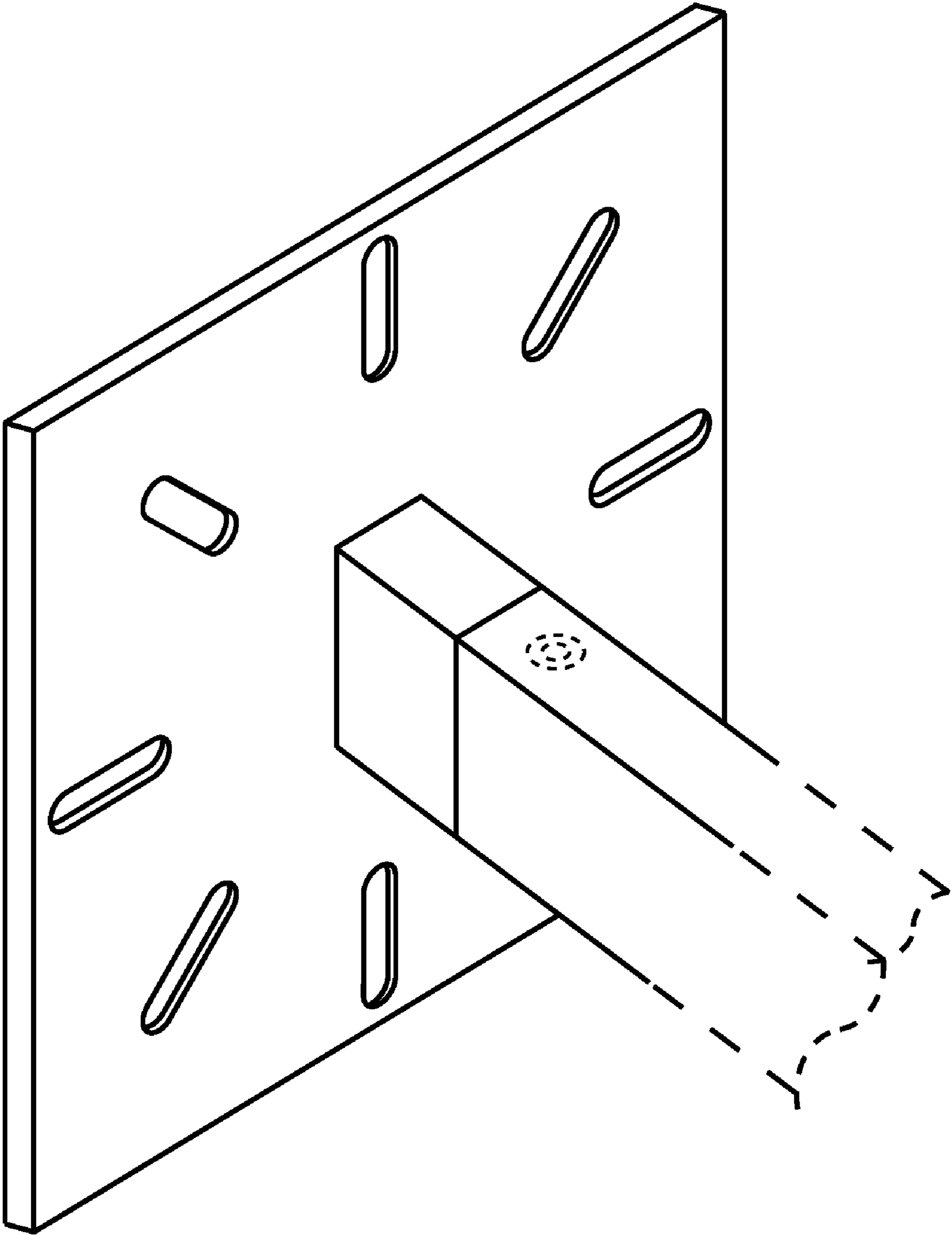


Figure 1

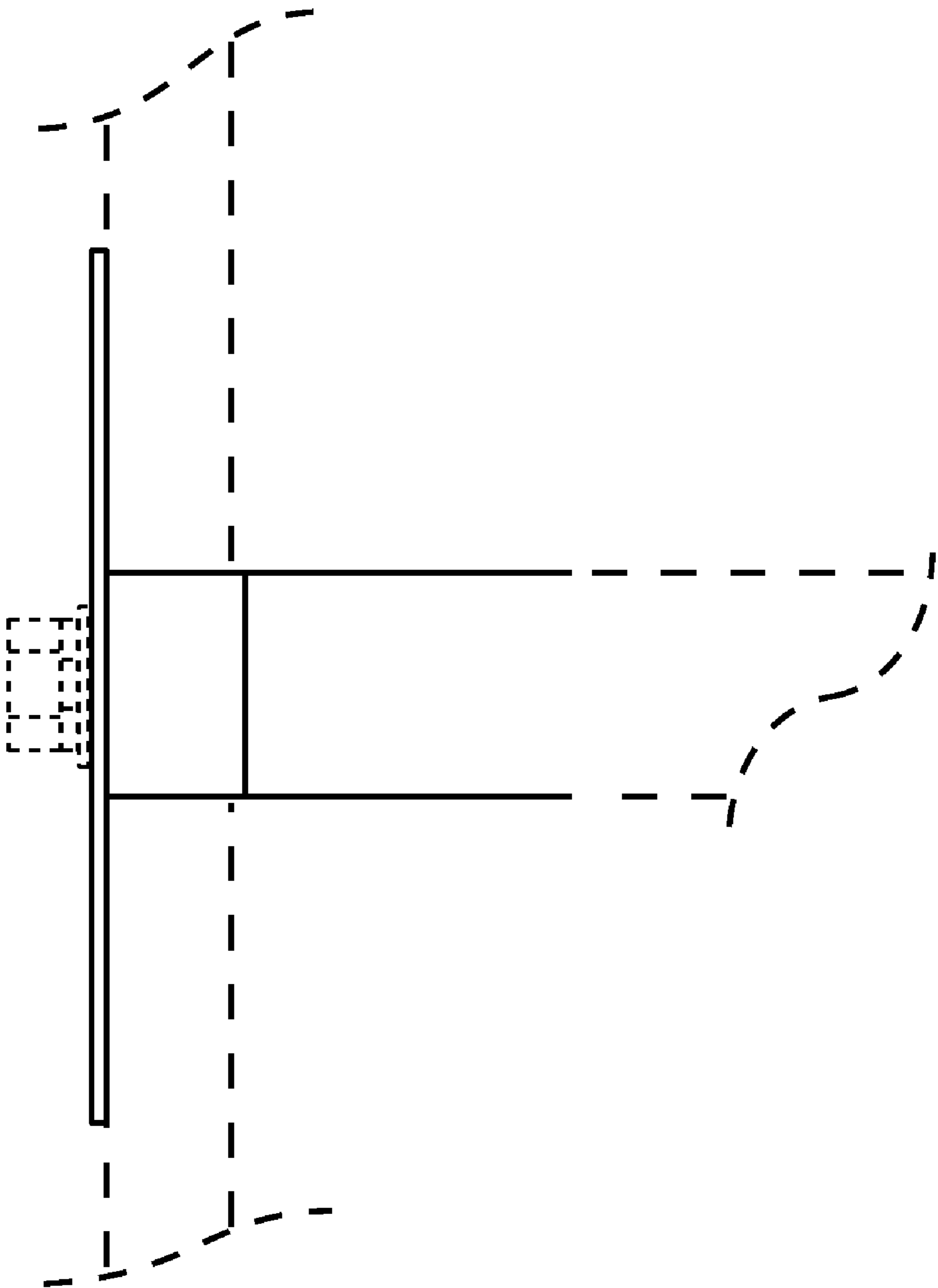


Figure 2

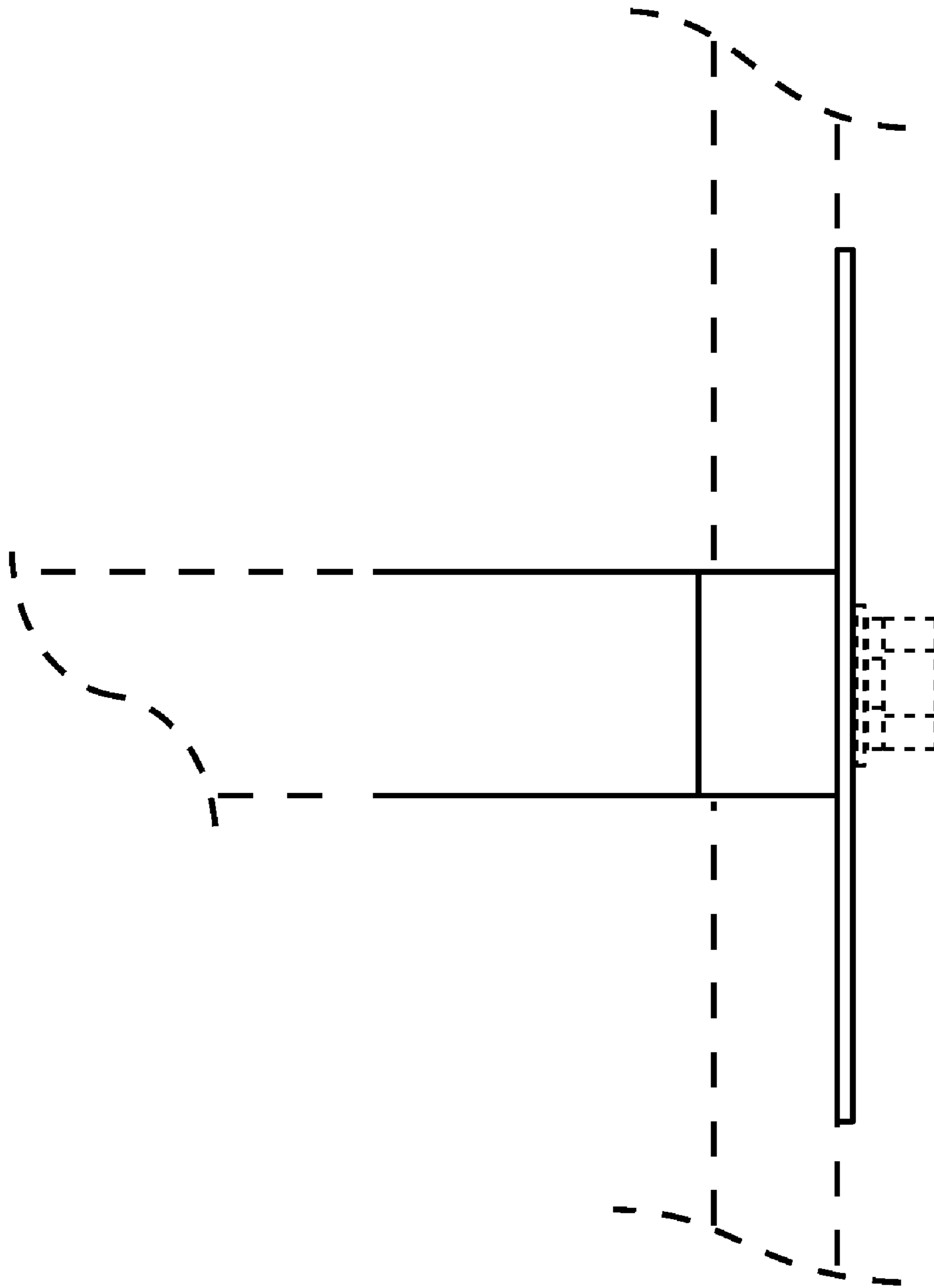


Figure 3

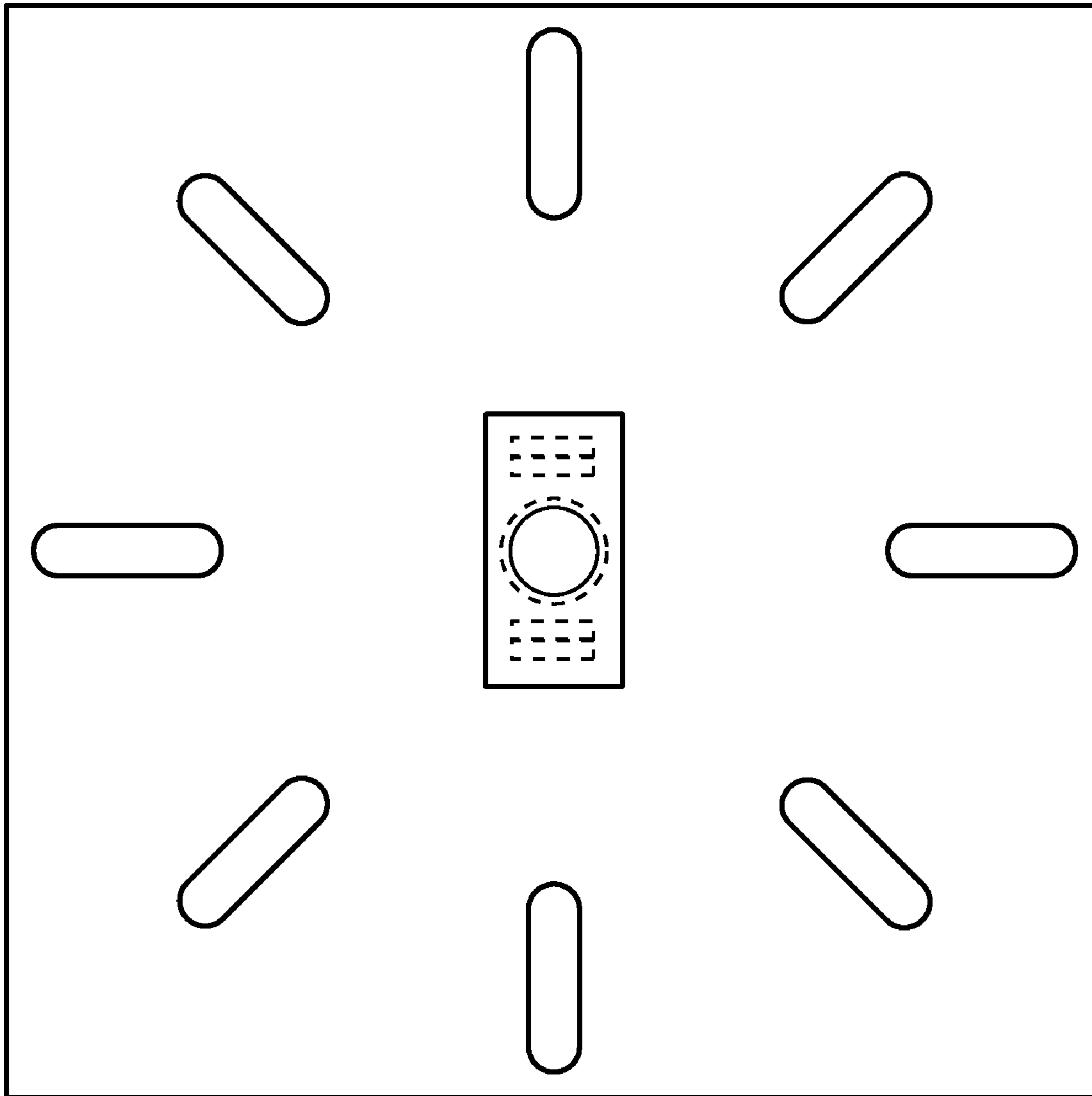


Figure 4

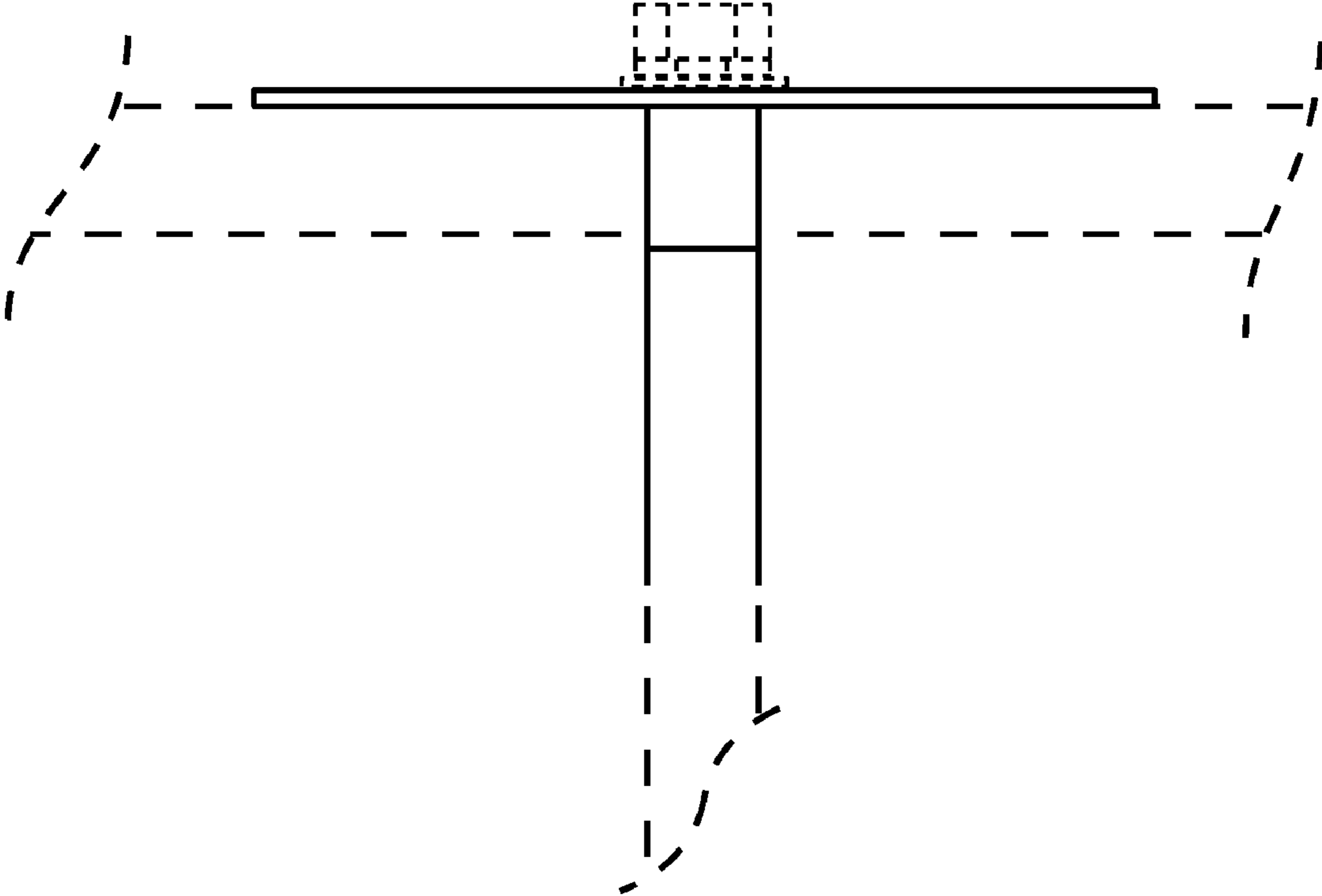


Figure 5

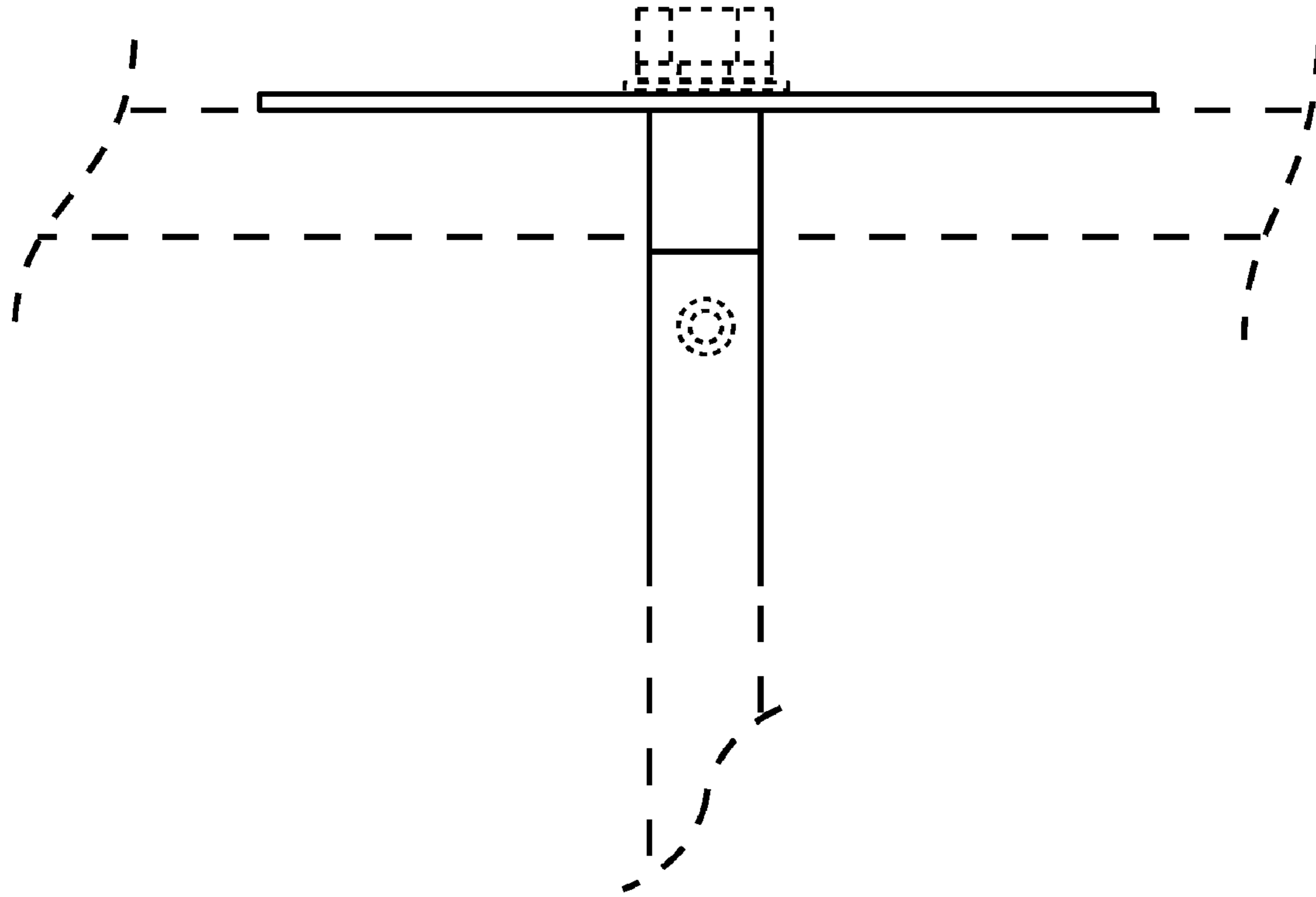


Figure 6

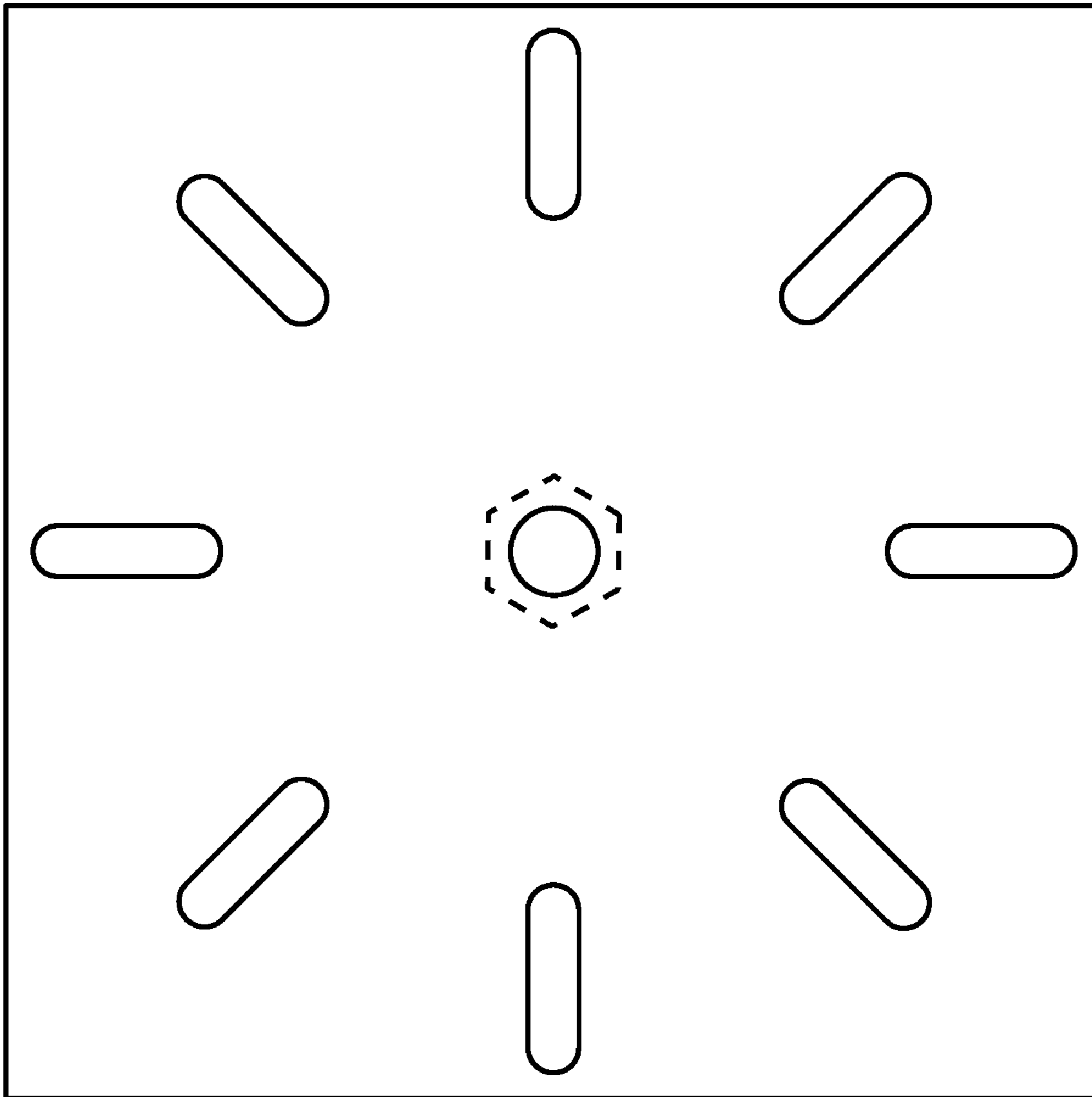


Figure 7