

US00D599049S

(12) **United States Design Patent**
Guercio

(10) **Patent No.:** **US D599,049 S**

(45) **Date of Patent:** **** Aug. 25, 2009**

(54) **POLE MOUNTED DOUBLE LED LIGHT
FIXTURE**

(75) Inventor: **Vincenzo Guercio**, Wallkill, NY (US)

(73) Assignee: **RAB Lighting, Inc.**, Northvale, NJ (US)

(**) Term: **14 Years**

(21) Appl. No.: **29/328,344**

(22) Filed: **Nov. 21, 2008**

(51) **LOC (9) Cl.** **26-05**

(52) **U.S. Cl.** **D26/69**

(58) **Field of Classification Search** D26/67-72,
D26/85, 92; 362/145, 152, 183, 294, 373,
362/414, 431, 545, 800

See application file for complete search history.

(56) **References Cited**

U.S. PATENT DOCUMENTS

2,732,484	A *	1/1956	Lipscomb	362/218
D214,583	S *	7/1969	Routh et al.	D26/63
D228,667	S *	10/1973	Anderson, Jr.	D26/71
D279,410	S *	6/1985	Fiorentino et al.	D26/69
D313,482	S *	1/1991	Compton	D26/69
D465,593	S *	11/2002	Chang	D26/72
D527,134	S *	8/2006	Bagen	D26/71
D555,279	S *	11/2007	Schneider	D26/71
D566,876	S *	4/2008	Allen et al.	D26/85
D568,524	S *	5/2008	Sandell	D26/85
D591,445	S *	4/2009	Guercio	D26/92

2008/0137327 A1* 6/2008 Hodulik 362/183

OTHER PUBLICATIONS

“Aeris” AS1 and AS2 architectural area and roadway lighting shown on pp. 468 and 471 of the Lithonia Lighting Product Selection Guide—Edition 9. © 2006.*

* cited by examiner

Primary Examiner—Clare E Heflin

(74) *Attorney, Agent, or Firm*—Overhauser Law Offices, LLC

(57) **CLAIM**

The ornamental design for a pole mounted double LED light fixture, as shown and described.

DESCRIPTION

FIG. 1 is a perspective view of a pole mounted double LED light fixture according to my design;

FIG. 2 is a first side view thereof;

FIG. 3 is a front view thereof;

FIG. 4 is a second side view thereof;

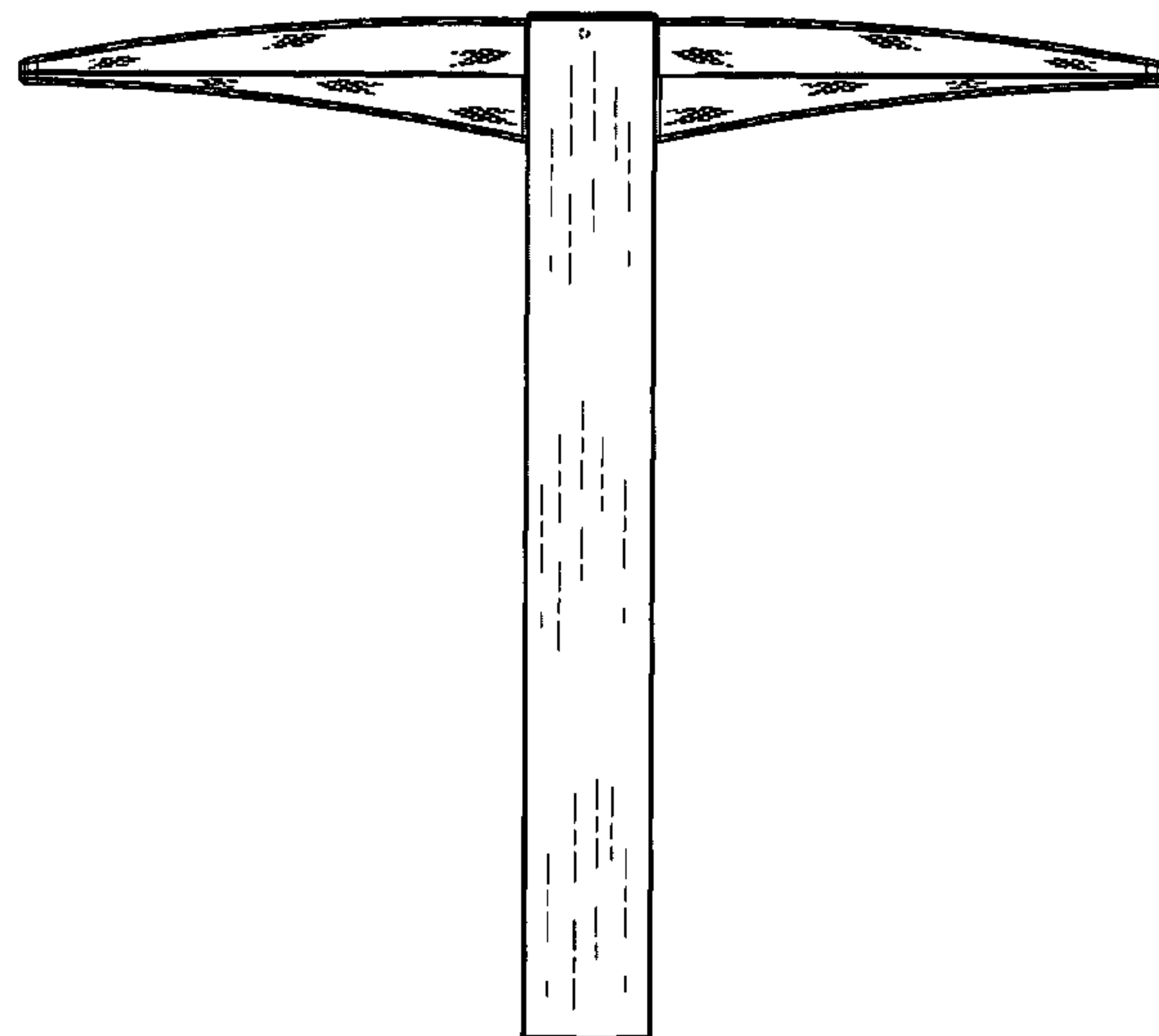
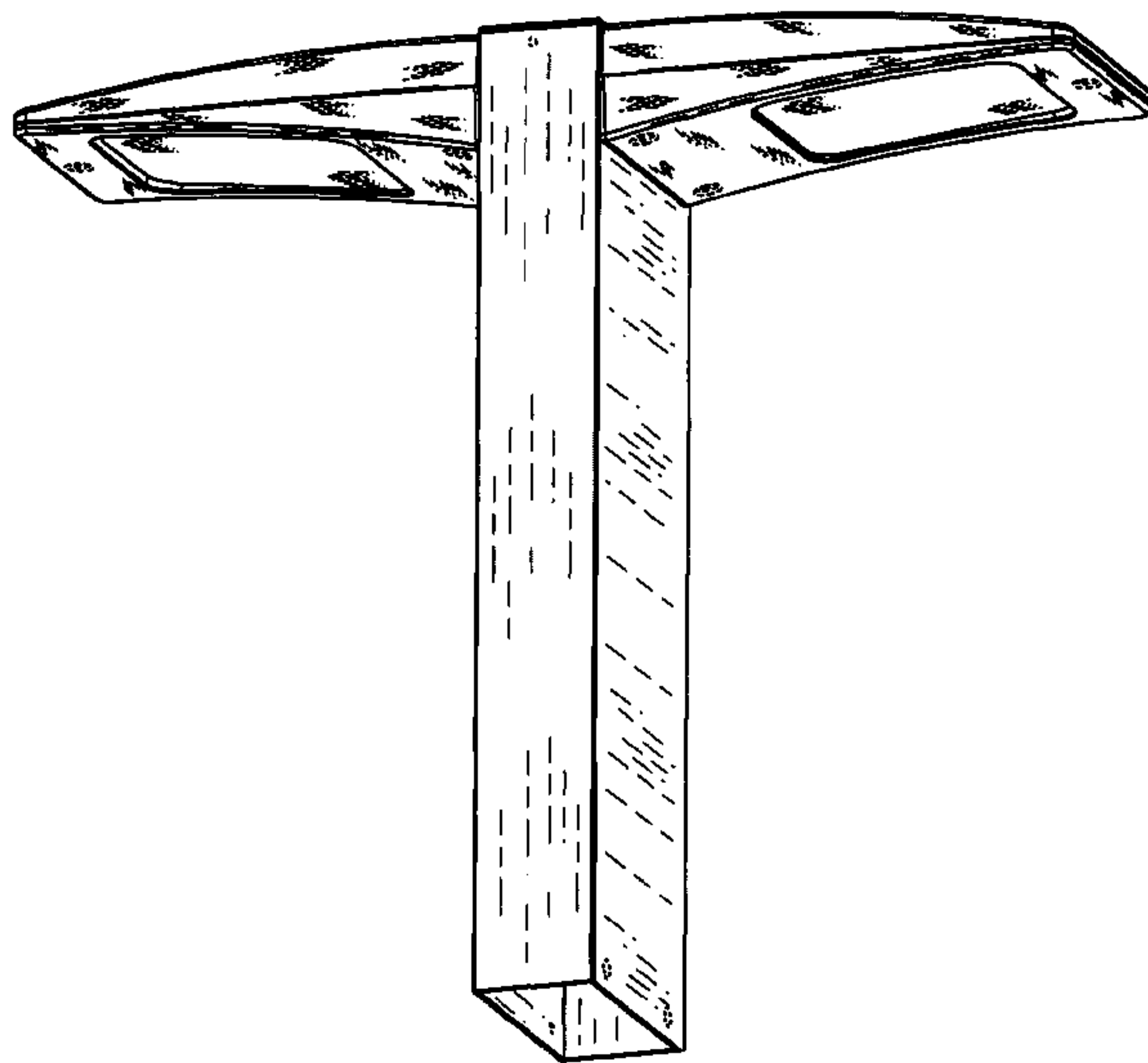
FIG. 5 is a rear view thereof;

FIG. 6 is a top view thereof; and,

FIG. 7 is a bottom view thereof.

The broken lines shown in the drawings are for the purpose of illustrating portions of the light fixture and form no part of the claimed design.

1 Claim, 7 Drawing Sheets



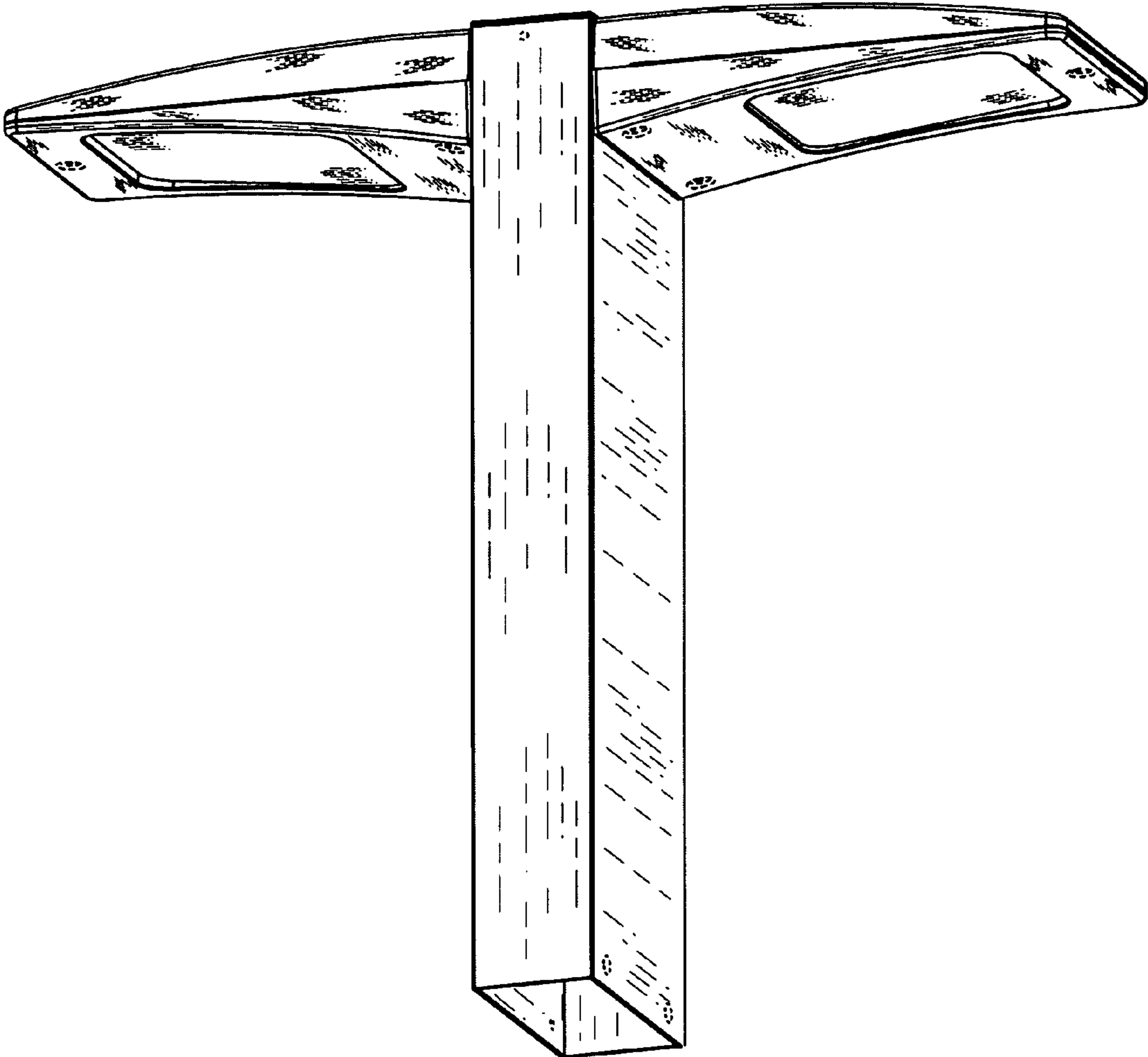


FIG. 1

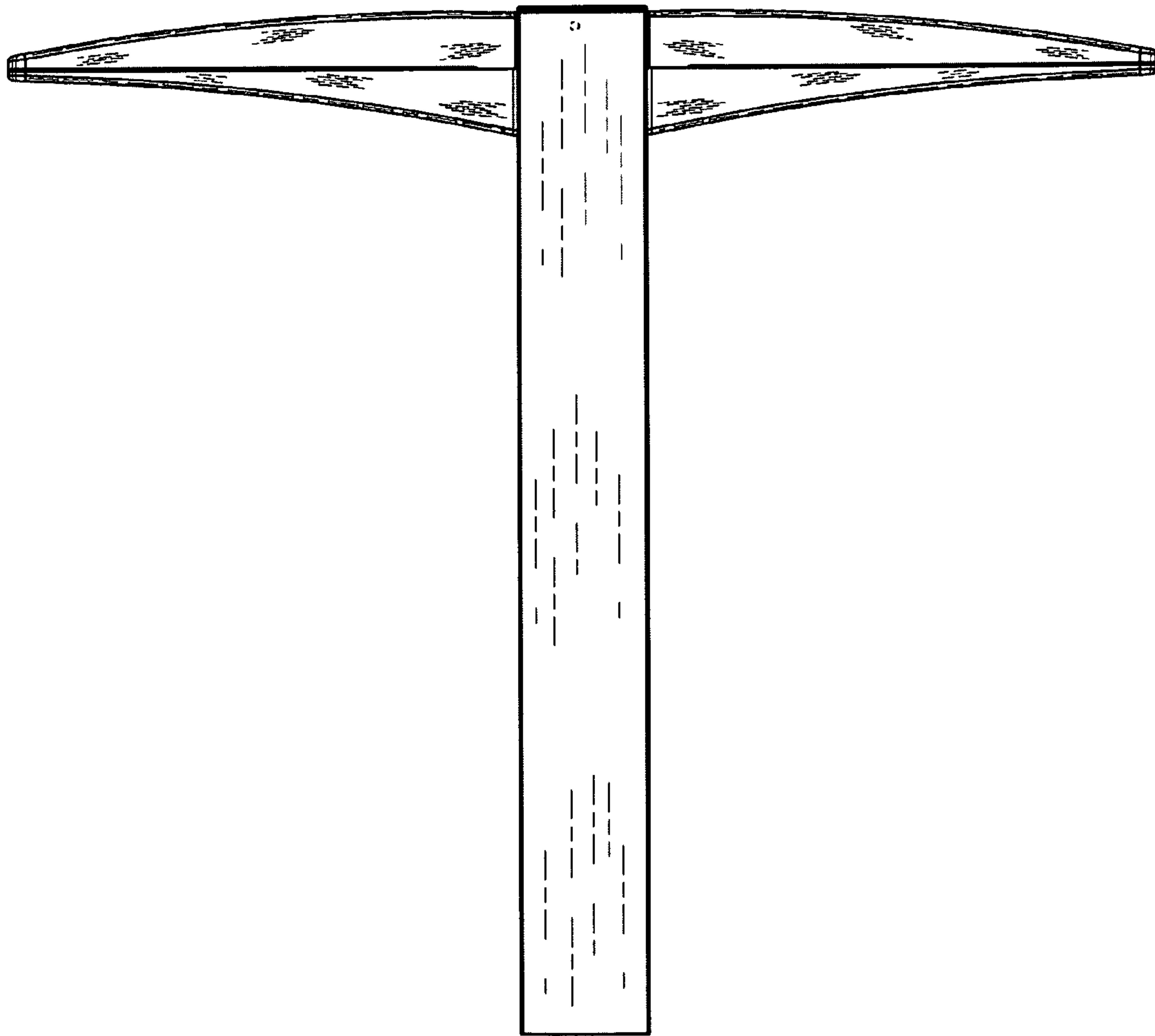


FIG. 2

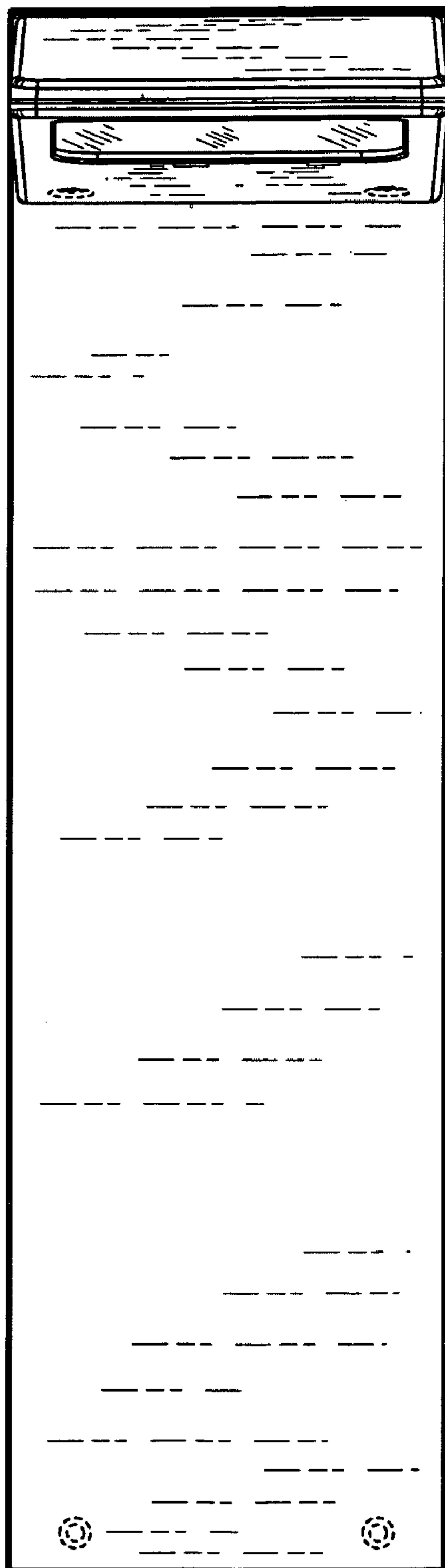


FIG. 3

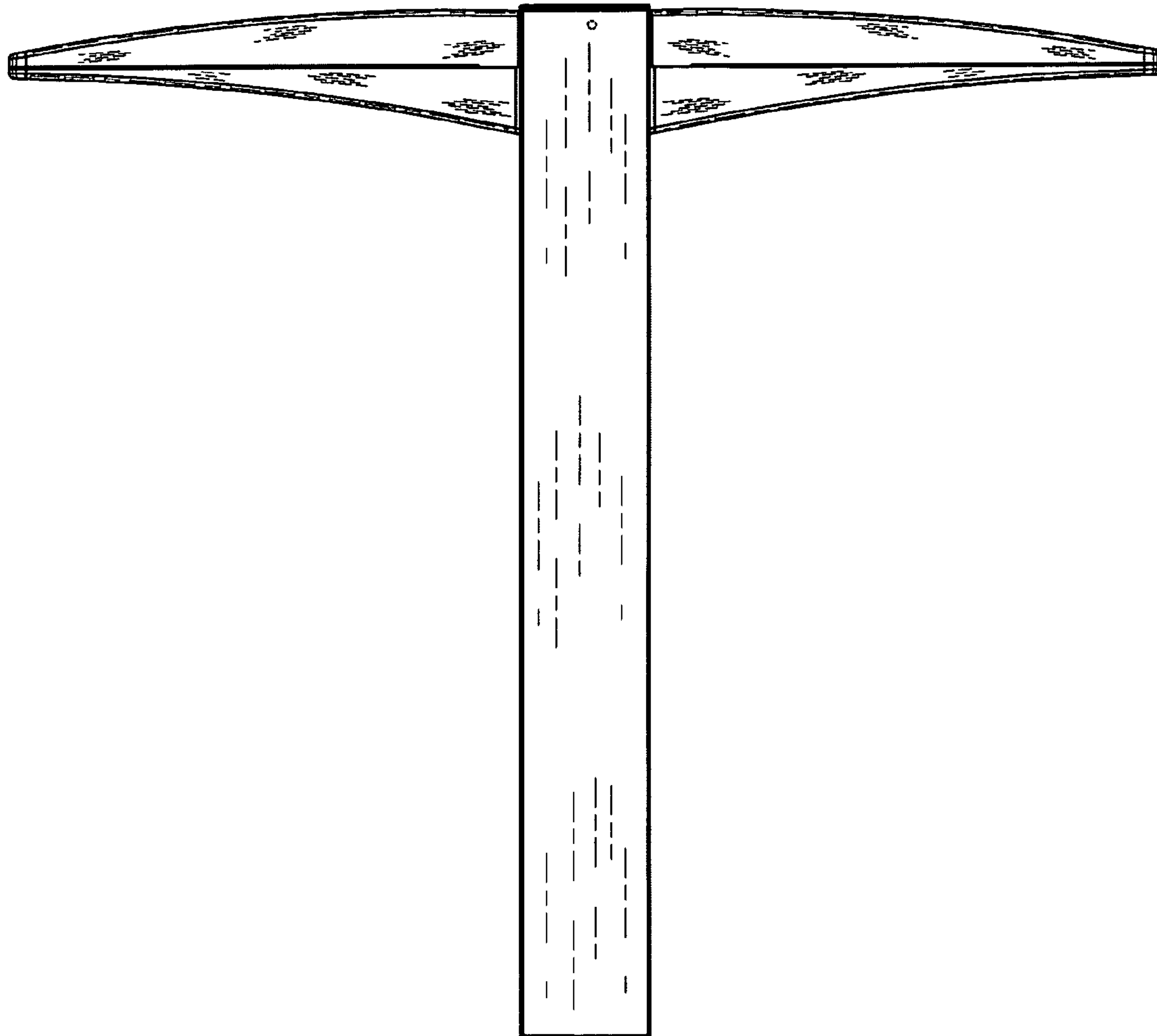


FIG. 4

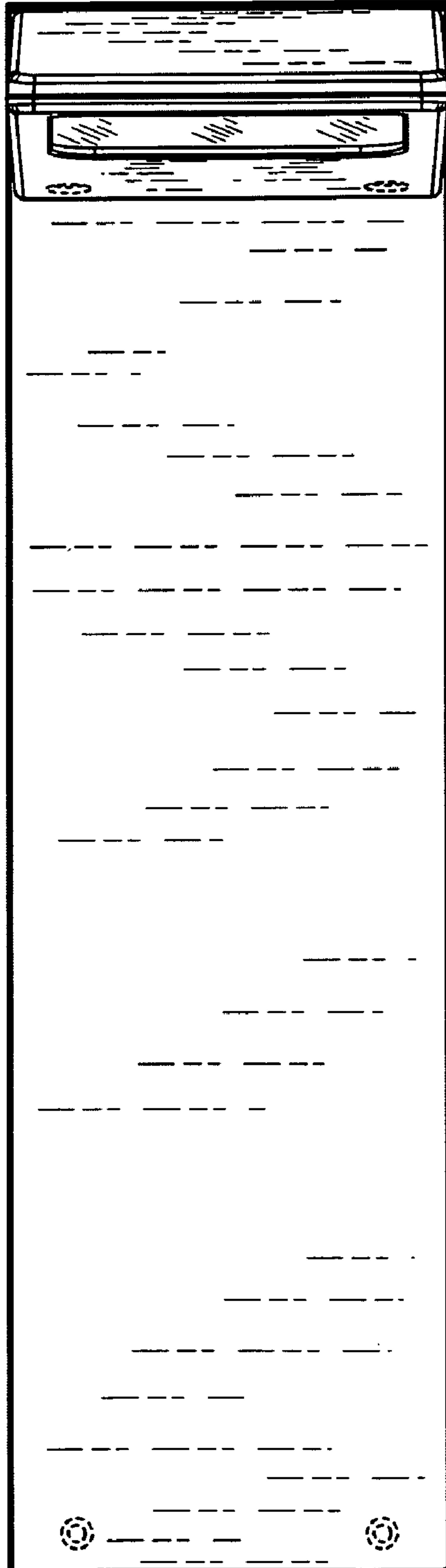


FIG. 5

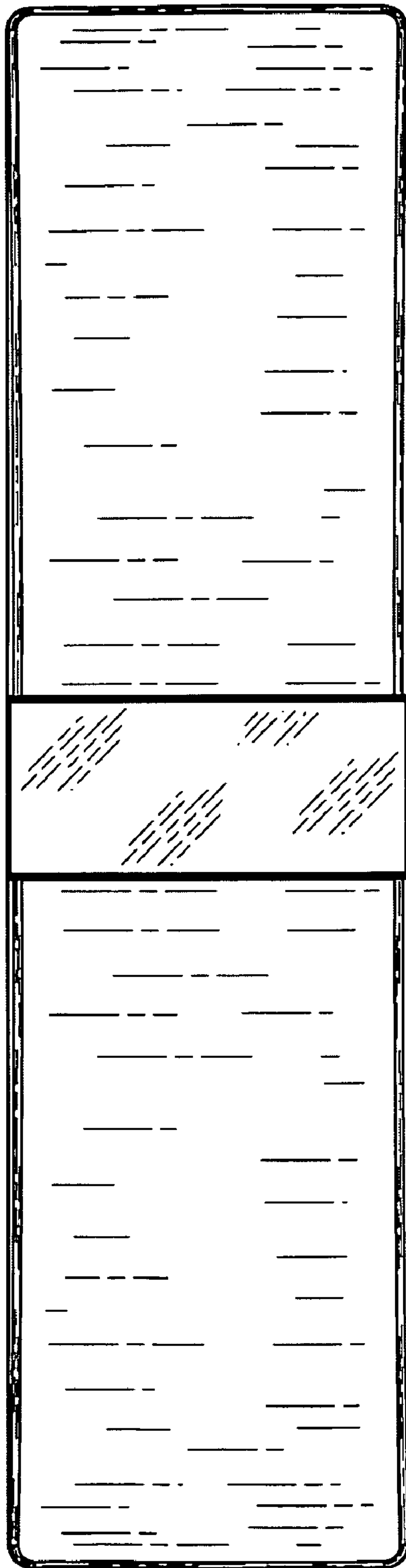


FIG. 6

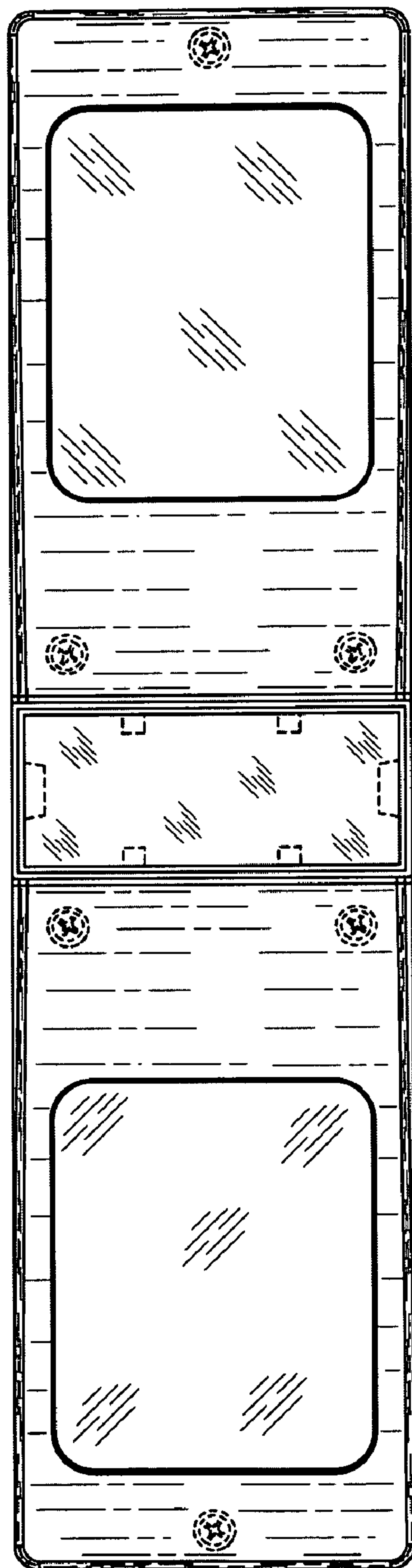


FIG. 7