



US00D599047S

(12) **United States Design Patent**
Kung

(10) **Patent No.:** **US D599,047 S**

(45) **Date of Patent:** **** Aug. 25, 2009**

(54) **FLASHLIGHT**

(75) Inventor: **Kenneth Kung**, Kowloon (CN)

(73) Assignee: **Dorcy International, Inc.**, Columbus, OH (US)

(**) Term: **14 Years**

(21) Appl. No.: **29/312,847**

(22) Filed: **Nov. 17, 2008**

(51) **LOC (9) Cl.** **26-02**

(52) **U.S. Cl.** **D26/49**

(58) **Field of Classification Search** D26/37,
D26/46, 48, 49; 362/157, 158, 171, 178,
362/183-188, 194-208

See application file for complete search history.

(56) **References Cited**

U.S. PATENT DOCUMENTS

D169,393 S *	4/1953	Rockmore	D26/49
D223,967 S *	6/1972	Petrucelli	D10/114
D336,966 S *	6/1993	Yau	D26/49
D344,811 S *	3/1994	Garrity	D26/49
D363,564 S *	10/1995	Kish et al.	D26/49
D408,090 S *	4/1999	Monteleone et al.	D26/37
D422,733 S *	4/2000	Kung	D26/49
D433,171 S *	10/2000	Petterson et al.	D26/49

D435,922 S *	1/2001	Shing	D26/49
D439,690 S *	3/2001	Parker	D26/49
D554,786 S *	11/2007	Rugendyke et al.	D26/49
D560,297 S *	1/2008	Brown et al.	D26/37
D576,756 S *	9/2008	DeBrunner	D26/40

* cited by examiner

Primary Examiner—Adir Aronovich

Assistant Examiner—Carissa C Fitts

(74) *Attorney, Agent, or Firm*—Kilpatrick Stockton LLP

(57) **CLAIM**

The ornamental design for a flashlight, as shown and described.

DESCRIPTION

FIG. 1 is a perspective view of a flashlight, showing my new design.

FIG. 2 is a front elevation view thereof.

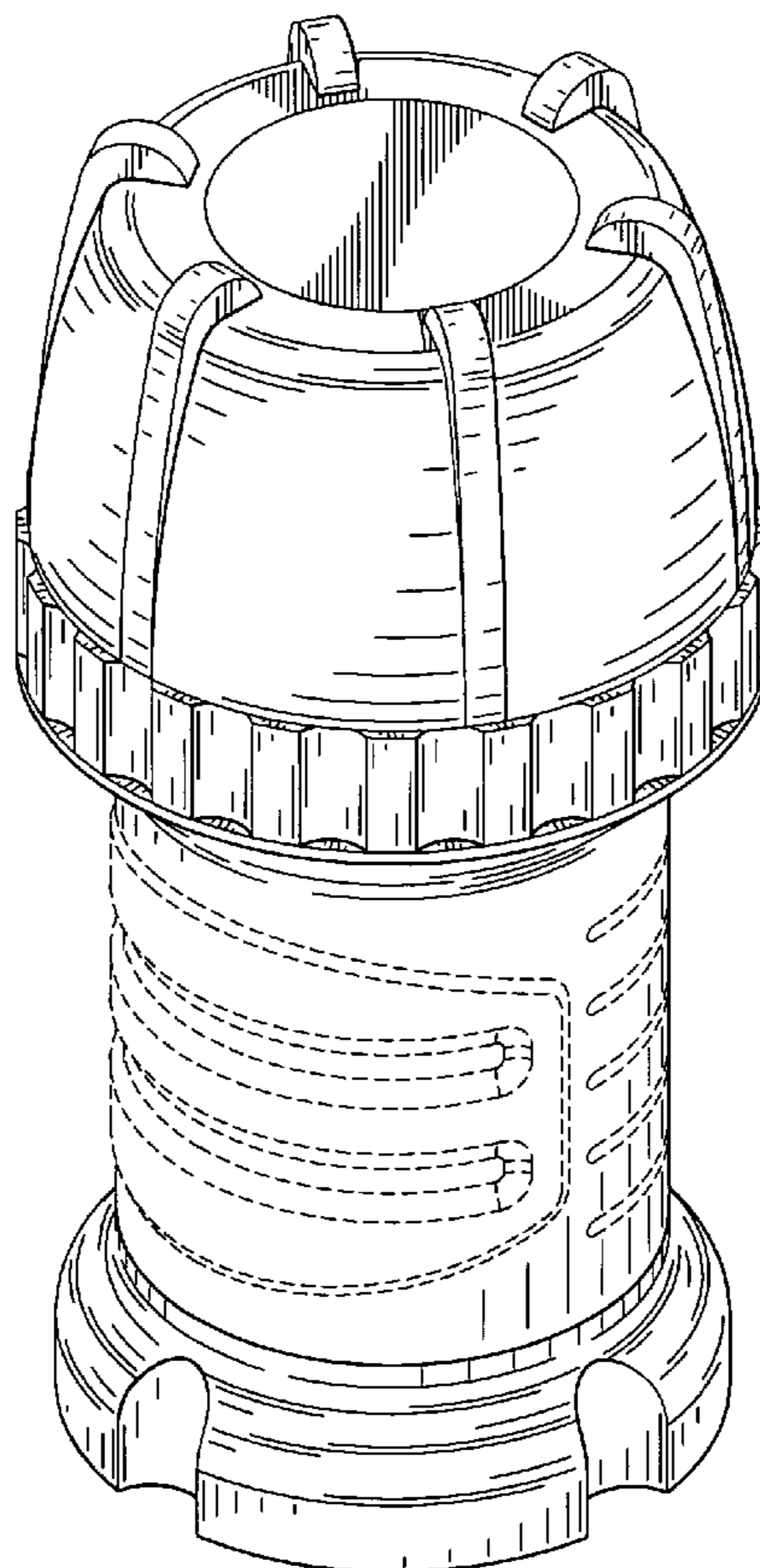
FIG. 3 is a right side elevation view thereof, the left side elevation view being a mirror image of the right side elevation view.

FIG. 4 is a rear elevation view thereof; and,

FIG. 5 is a top plan view thereof.

The portions of the flashlight in broken lines are shown for illustration only and form no part of the claimed design.

1 Claim, 5 Drawing Sheets



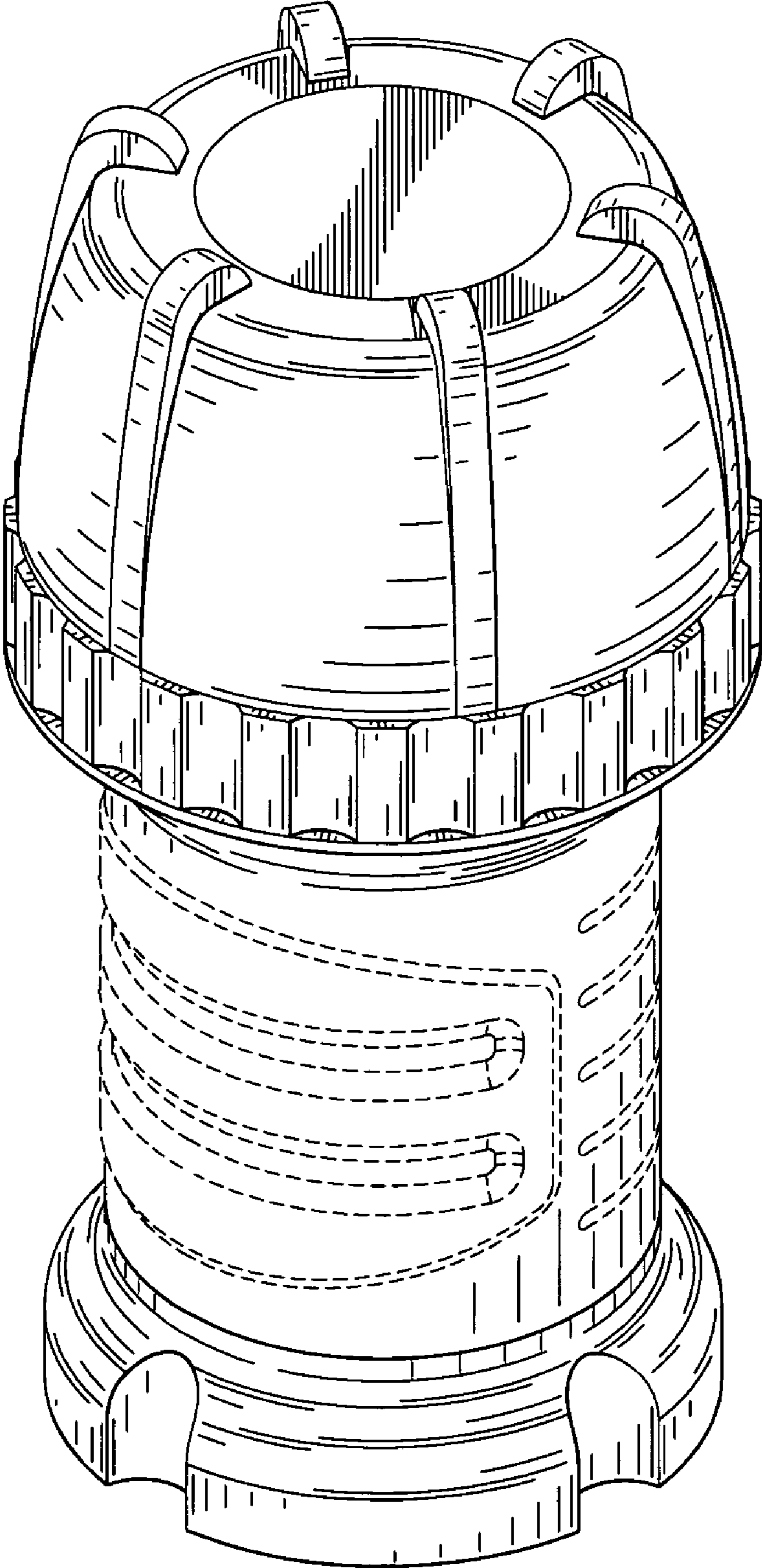


FIG. 1

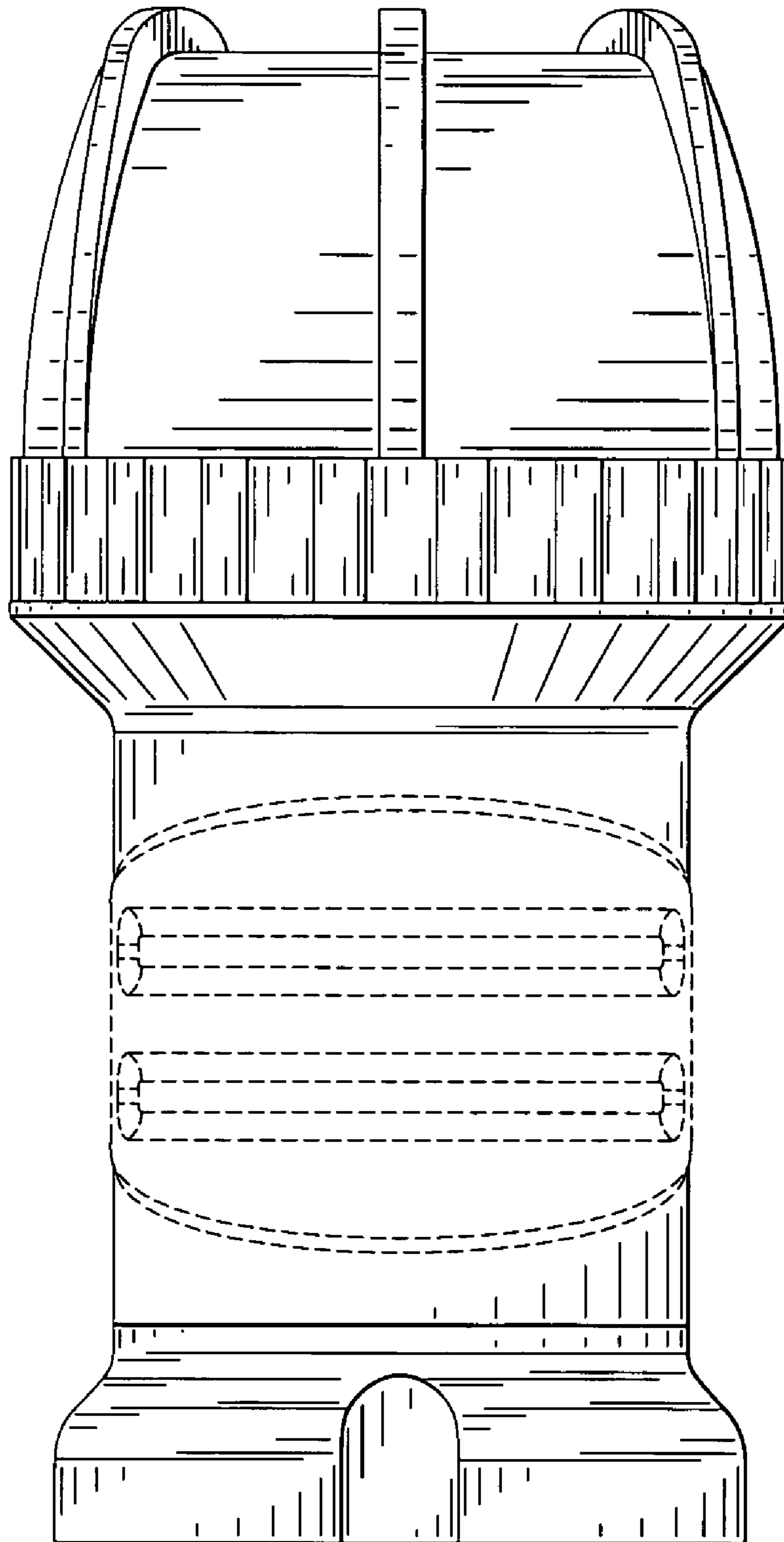


FIG. 2

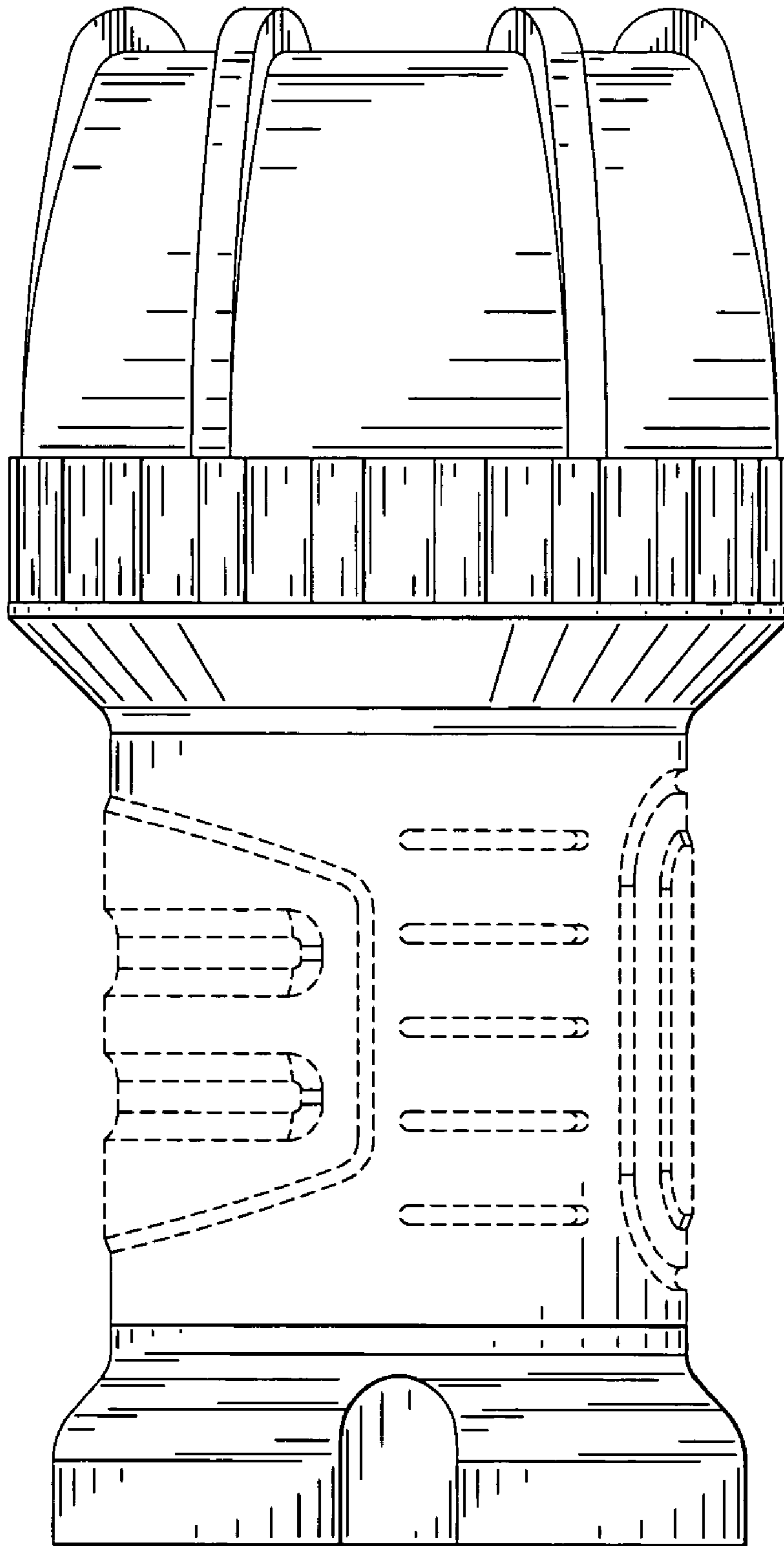


FIG. 3

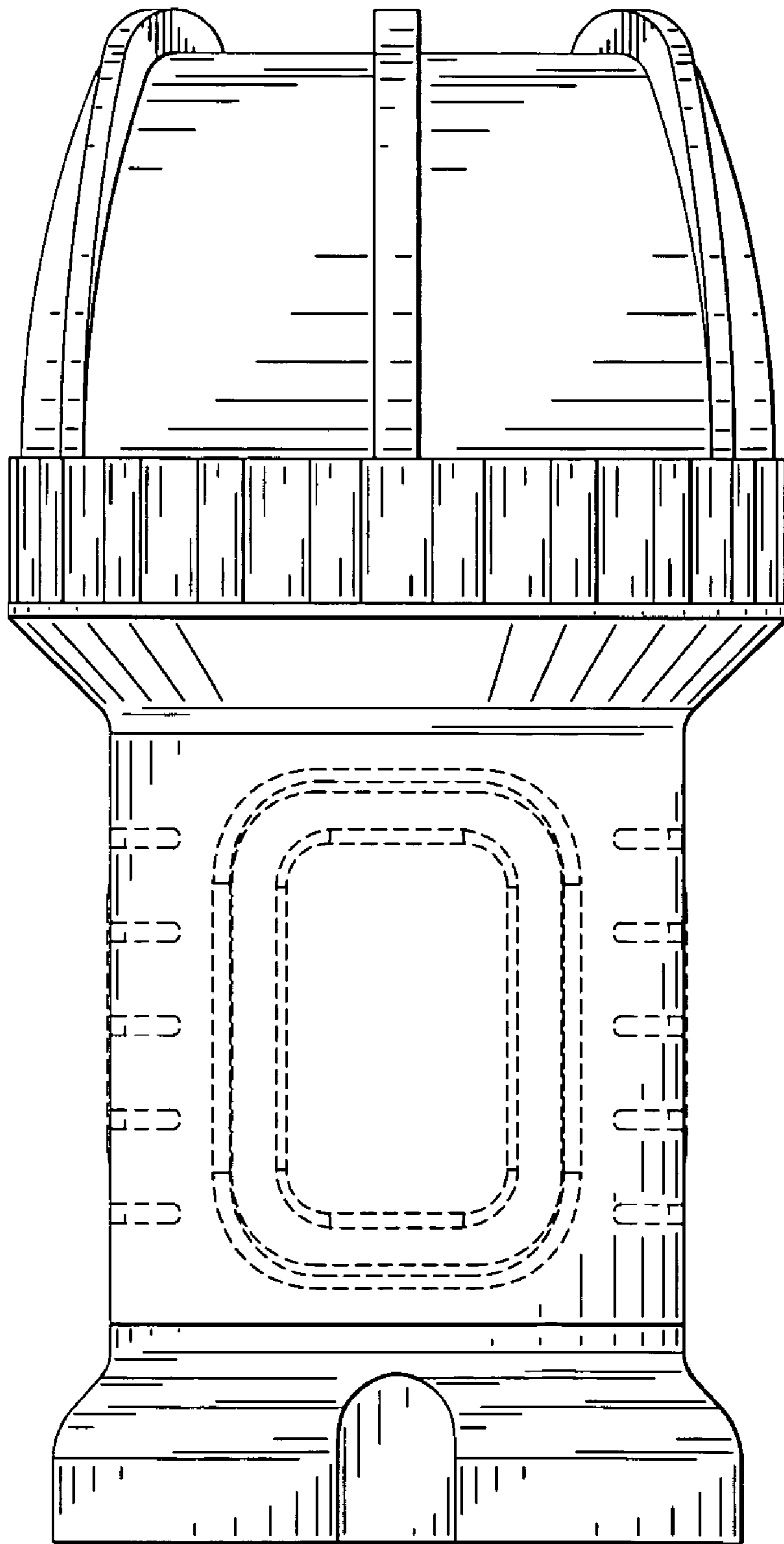


FIG. 4

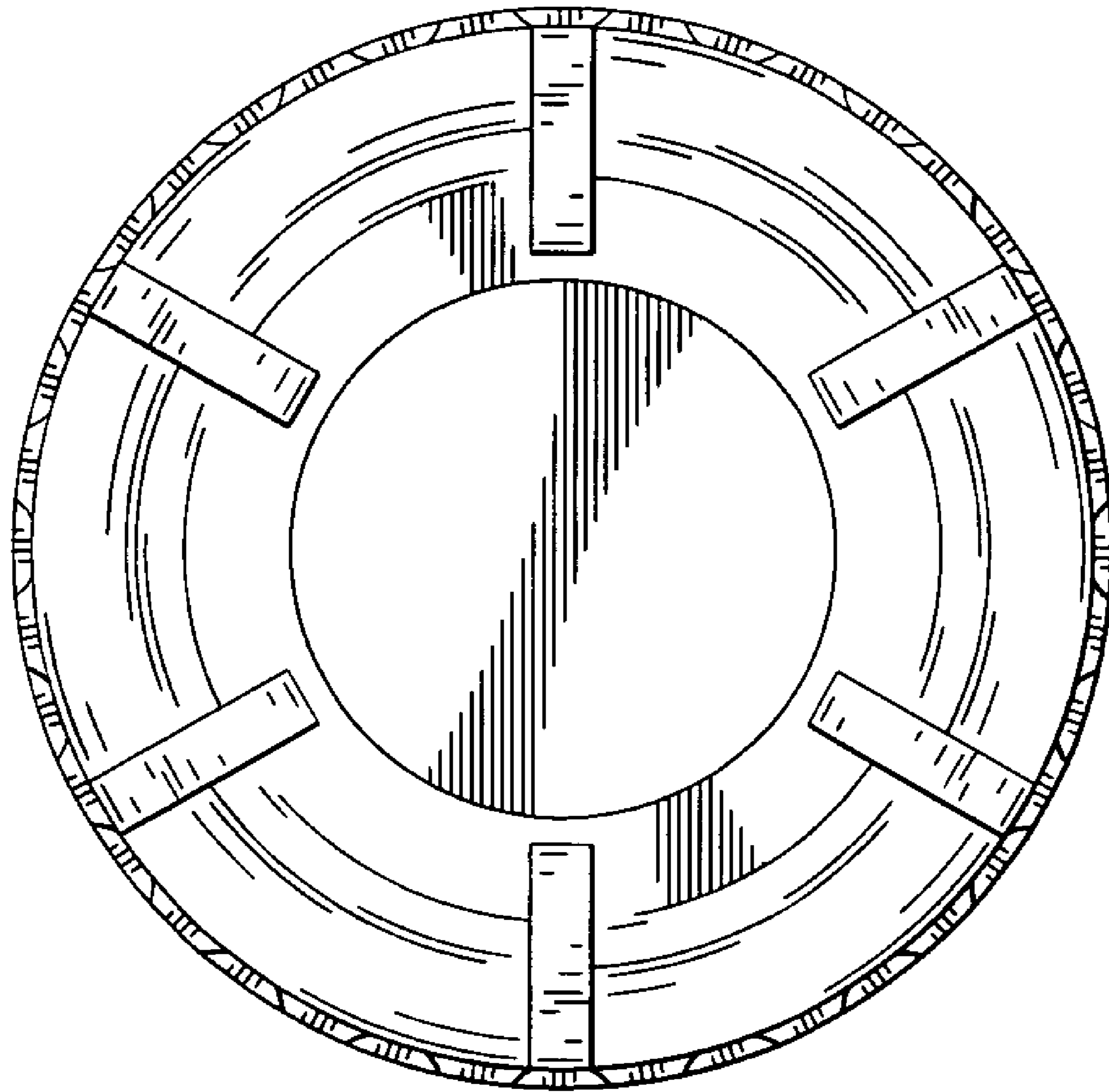


FIG. 5