



US00D599046S

(12) **United States Design Patent**
Cristoforo

(10) **Patent No.:** **US D599,046 S**

(45) **Date of Patent:** **** Aug. 25, 2009**

(54) **EAR HOOK WITH ADJUSTABLE BOOM MOUNTED LIGHT**

D536,467 S * 2/2007 Geringer D26/60
2004/0136178 A1* 7/2004 Yu 362/103

(76) Inventor: **Michael Cristoforo**, 5155 SW. Bimini Cir. S., Palm City, FL (US) 34990

* cited by examiner

Primary Examiner—Carissa C Fitts
(74) *Attorney, Agent, or Firm*—McHale & Slavin, P.A.

(**) Term: **14 Years**

(21) Appl. No.: **29/329,542**

(57) **CLAIM**

(22) Filed: **Dec. 17, 2008**

The ornamental design for an ear hook with adjustable boom mounted light, as shown and described.

(51) **LOC (9) Cl.** **26-02**

(52) **U.S. Cl.** **D26/39**

(58) **Field of Classification Search** D26/39,
D26/37, 38, 51, 41, 46, 50; 362/103, 105,
362/157, 158, 194, 197, 198, 191, 200, 202–206,
362/208

See application file for complete search history.

DESCRIPTION

(56) **References Cited**

U.S. PATENT DOCUMENTS

3,634,676	A *	1/1972	Castellano	362/105
4,631,644	A *	12/1986	Dannhauer	362/105
D297,172	S *	8/1988	Flohr	D26/39
D345,814	S *	4/1994	Wright, III	D26/138
D353,012	S *	11/1994	Mihavetz	D26/39
D371,214	S *	6/1996	Terry, Sr.	D26/49
D494,296	S *	8/2004	Shiu	D26/37
D495,074	S *	8/2004	Oas	D26/37
D526,079	S *	8/2006	Heun	D26/60
7,097,321	B2 *	8/2006	Mehler et al.	362/190

FIG. 1 is a perspective view of the ear hook with adjustable boom mounted light of the instant invention;

FIG. 2 is a front view thereof;

FIG. 3 is a rear view thereof;

FIG. 4 is a left side view thereof;

FIG. 5 is a right side view thereof;

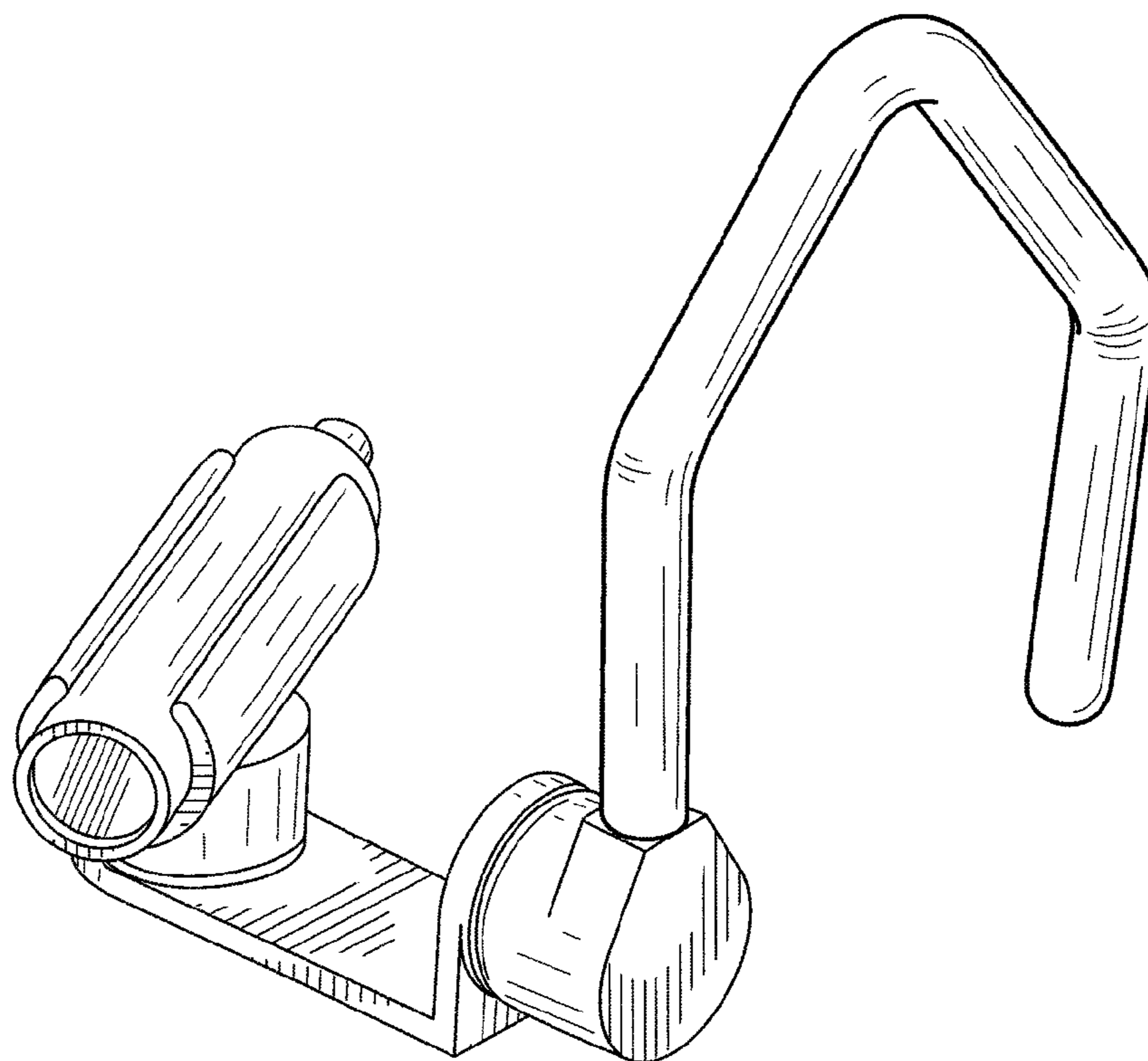
FIG. 6 is a top view thereof;

FIG. 7 is a bottom view thereof; and,

FIG. 8 is a perspective view illustrating the instant invention positioned around the ear of an individual.

The portions of figures illustrated in broken lines are for environmental purposes only and form no part of the claimed design.

1 Claim, 8 Drawing Sheets



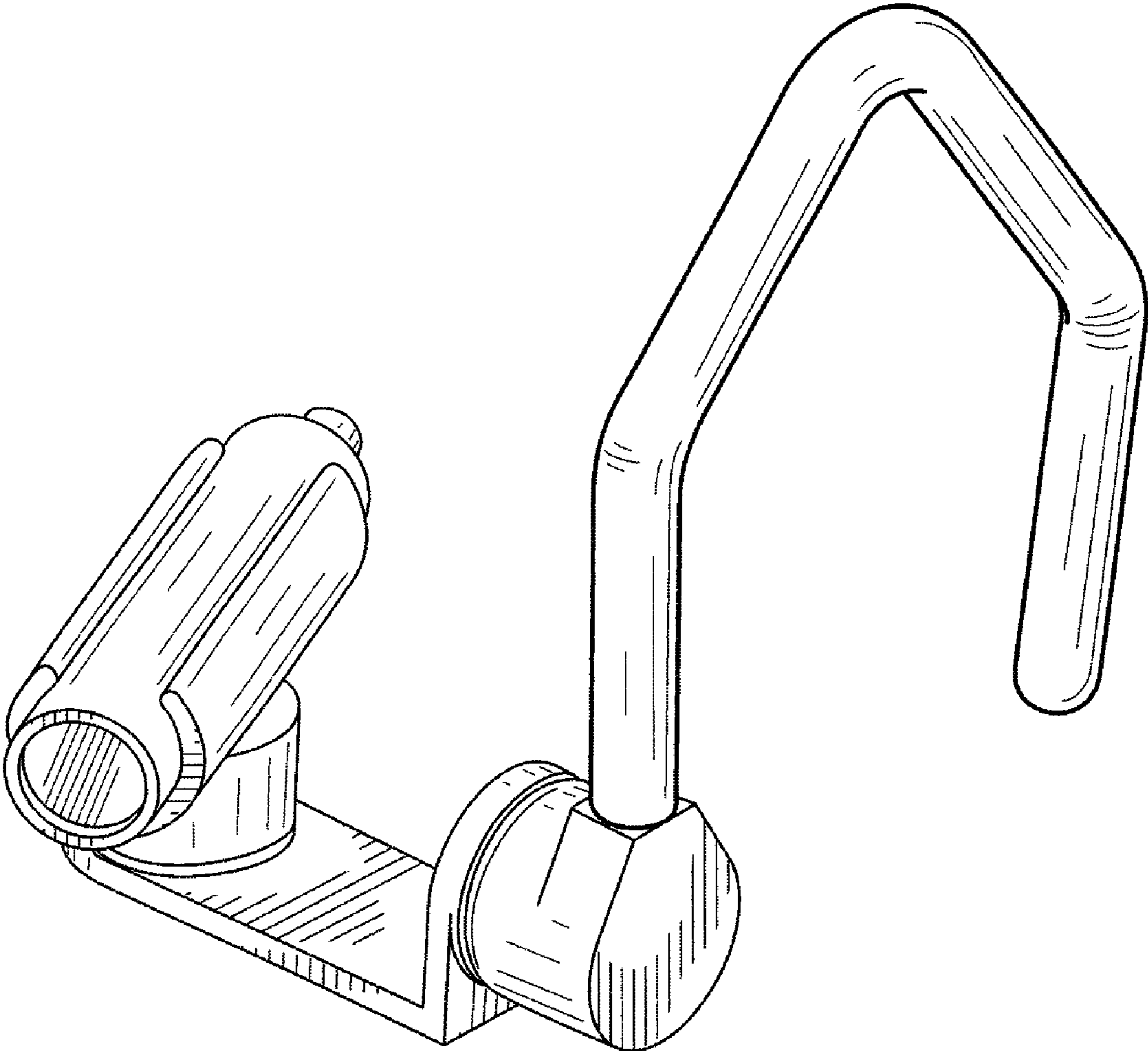


FIG. 1

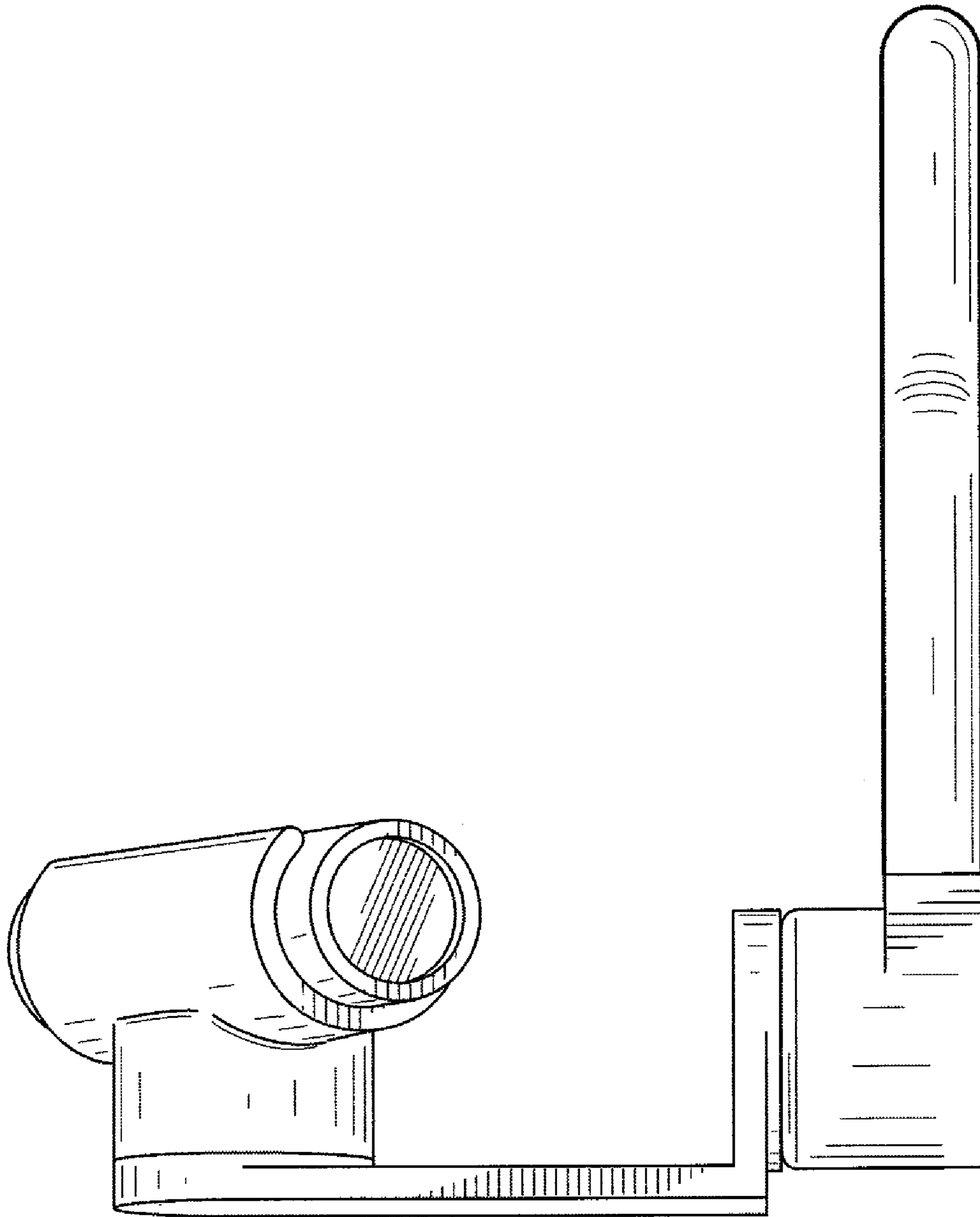


FIG. 2

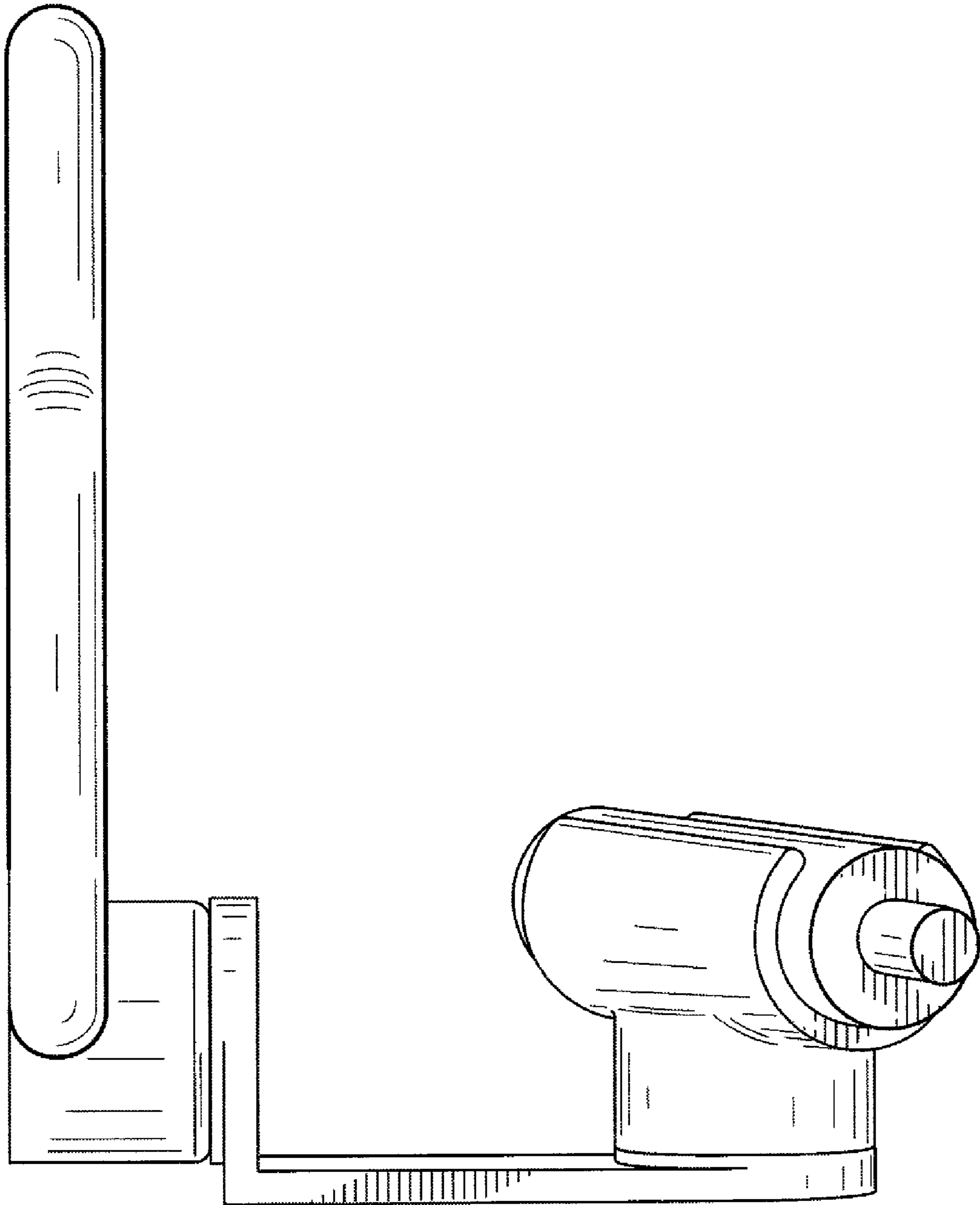


FIG. 3

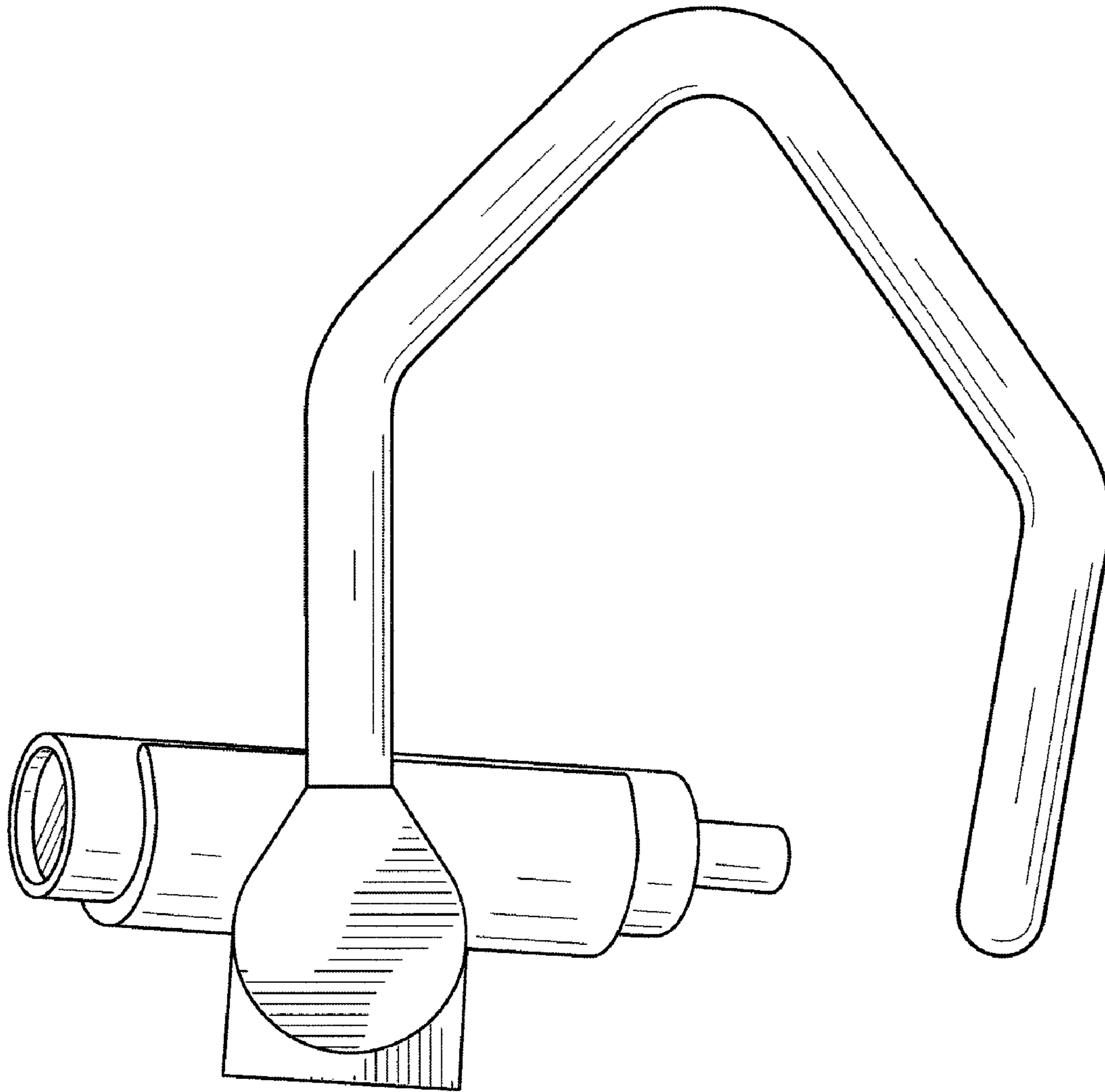


FIG. 4

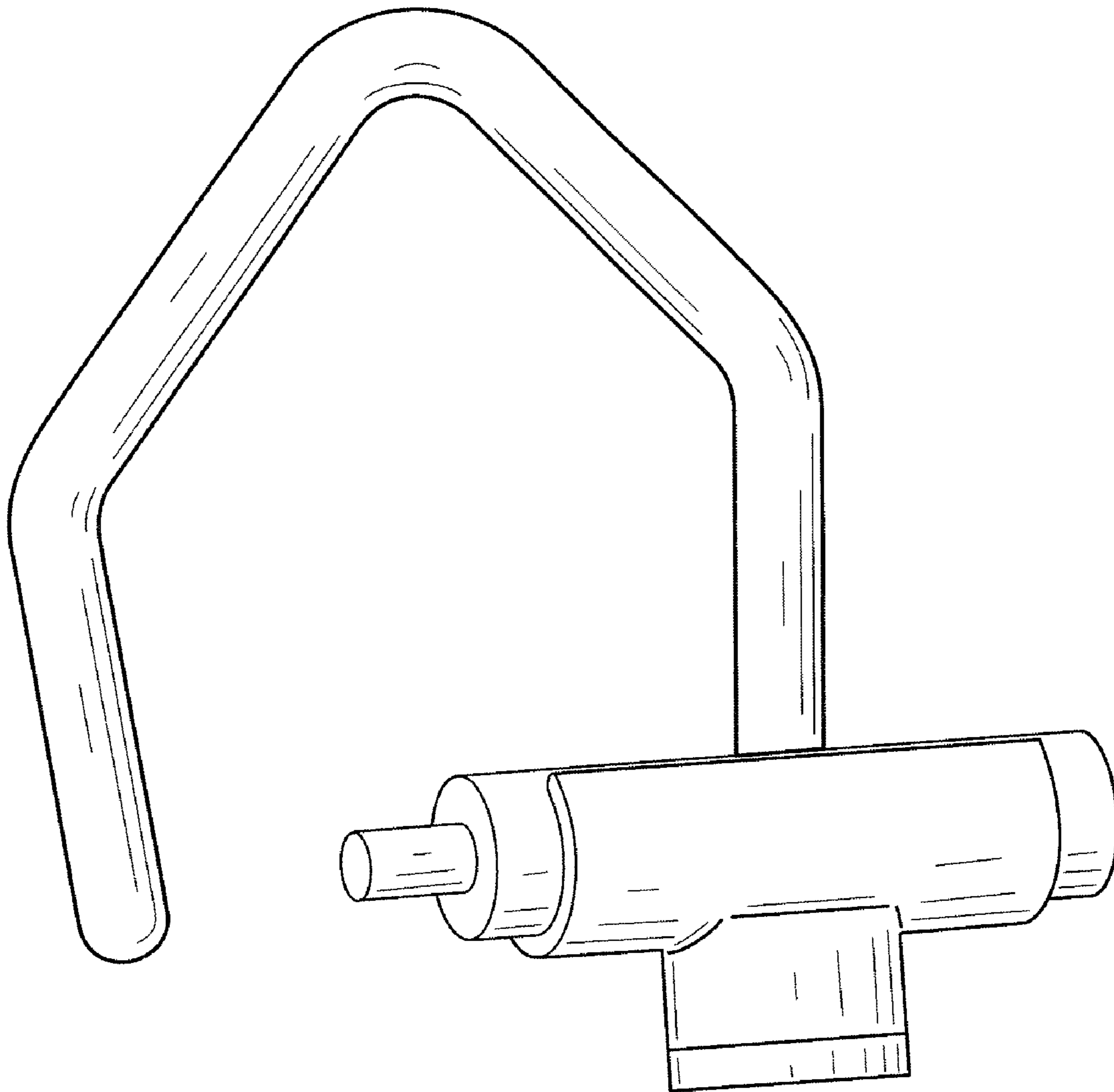


FIG. 5

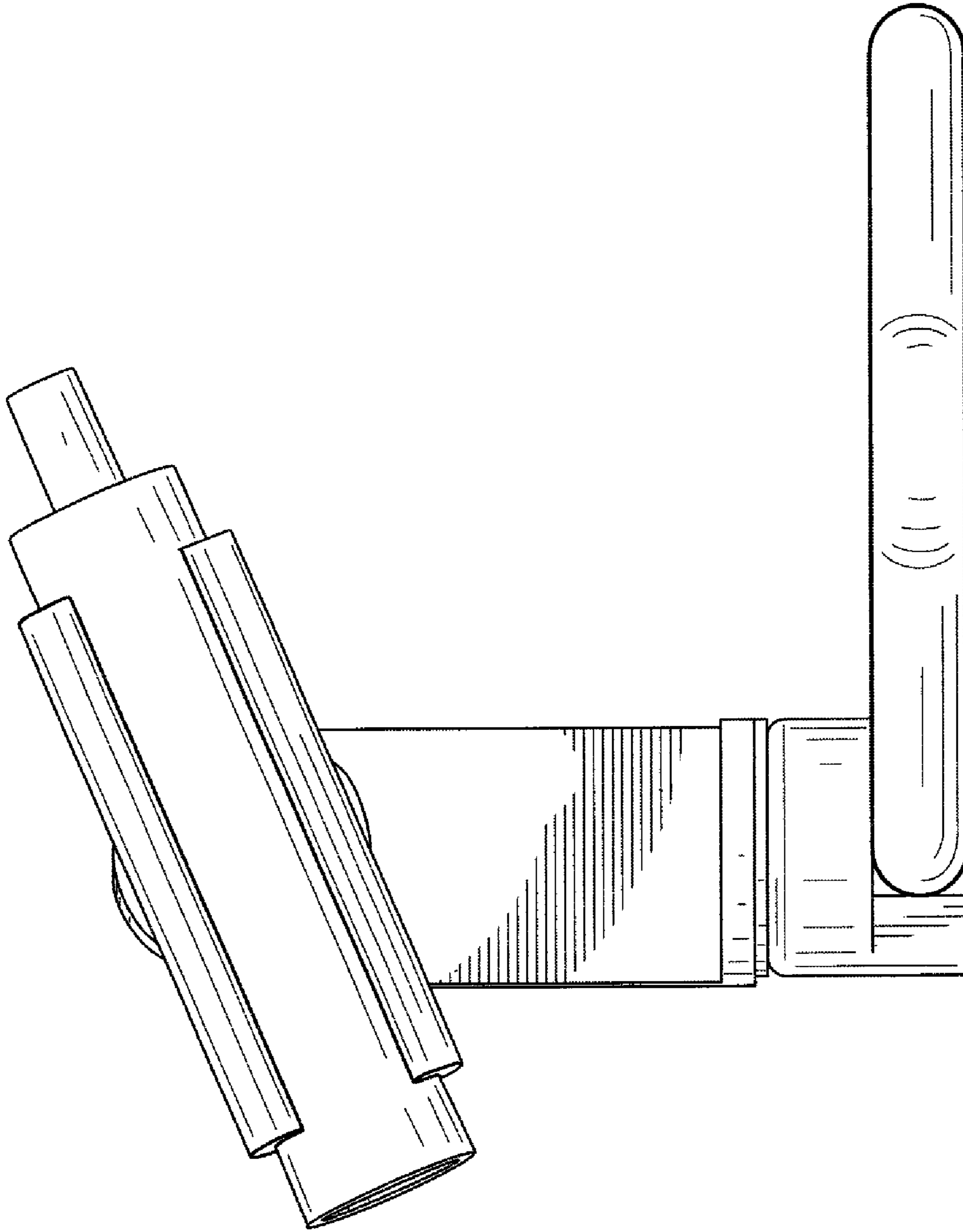


FIG. 6

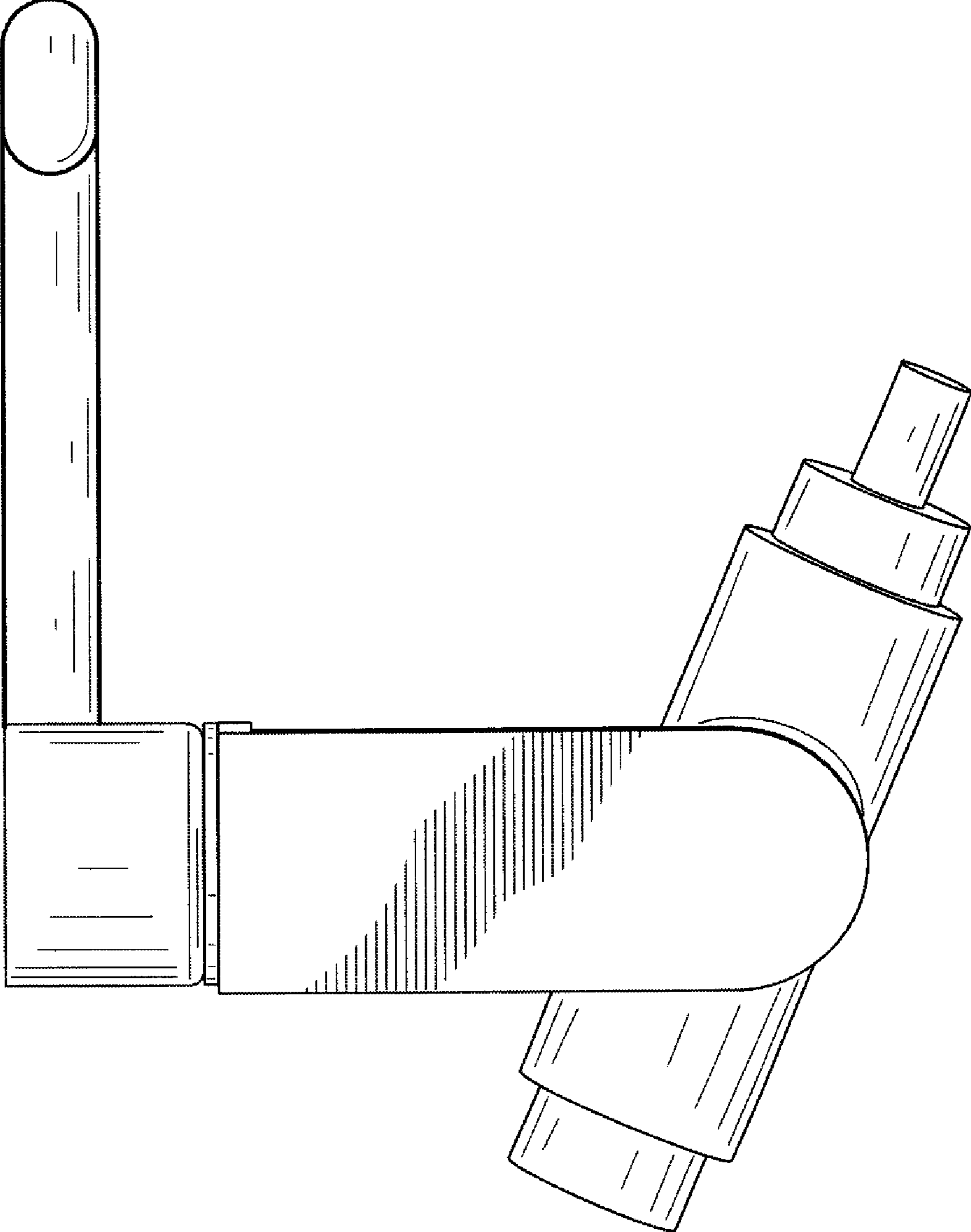


FIG. 7

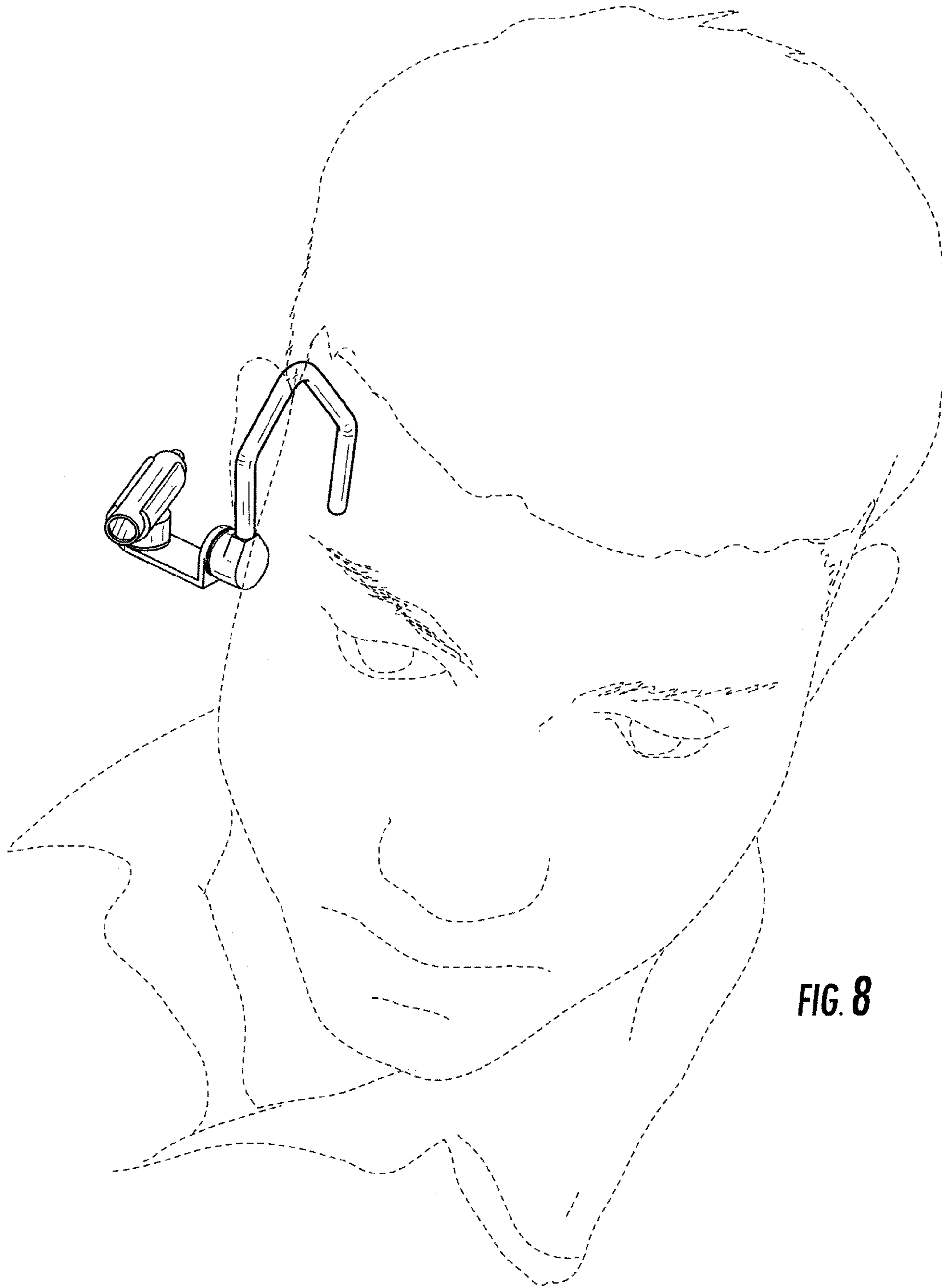


FIG. 8