



US00D599044S

(12) **United States Design Patent**
Pfeiffer

(10) **Patent No.:** **US D599,044 S**

(45) **Date of Patent:** **** Aug. 25, 2009**

(54) **HEADLIGHT FOR A VEHICLE**

D563,576 S * 3/2008 Hanaoka D26/28
D569,533 S * 5/2008 Hsu D26/28

(75) Inventor: **Peter Pfeiffer**, Boeblingen (DE)

FOREIGN PATENT DOCUMENTS

(73) Assignee: **Daimler AG**, Stuttgart (DE)

DE 40406800.6 4/2005

(**) Term: **14 Years**

* cited by examiner

(21) Appl. No.: **29/335,205**

Primary Examiner—Marcus A Jackson

(22) Filed: **Apr. 10, 2009**

(74) *Attorney, Agent, or Firm*—Crowell & Moring LLP

Related U.S. Application Data

(62) Division of application No. 29/262,753, filed on Jul. 12, 2006.

(57) **CLAIM**

The ornamental design for a headlight for a vehicle, as shown and described.

Foreign Application Priority Data

(30) Jan. 13, 2006 (DE) 40600165

DESCRIPTION

(51) **LOC (9) Cl.** **26-06**

This application is related to the following applications, of the inventor: Application Ser. No. 29/262,750, now U.S. Pat. No. D588,499; and Application Ser. No. 29/262,792, now U.S. Pat. No. D587,637.

(52) **U.S. Cl.** **D26/28**

FIG. 1 is a perspective view of a first embodiment of a surface configuration of a headlight for a vehicle according to my novel design;

(58) **Field of Classification Search** D26/28-36;

362/459-468, 475-478, 485-487
See application file for complete search history.

FIG. 2 is a side view thereof; and

FIG. 3 is a front view thereof.

(56) **References Cited**

U.S. PATENT DOCUMENTS

D385,245 S 10/1997 Gallitzendoerfer et al.
D452,460 S 12/2001 Sacco et al.
D536,113 S 1/2007 Pfeiffer
D537,180 S 2/2007 Hsu
D549,858 S 8/2007 Pfeiffer
D552,015 S 10/2007 Pfeiffer
D556,349 S * 11/2007 Golden et al. D26/28
D559,163 S 1/2008 Okamoto et al.
D560,832 S * 1/2008 Hsu D26/28

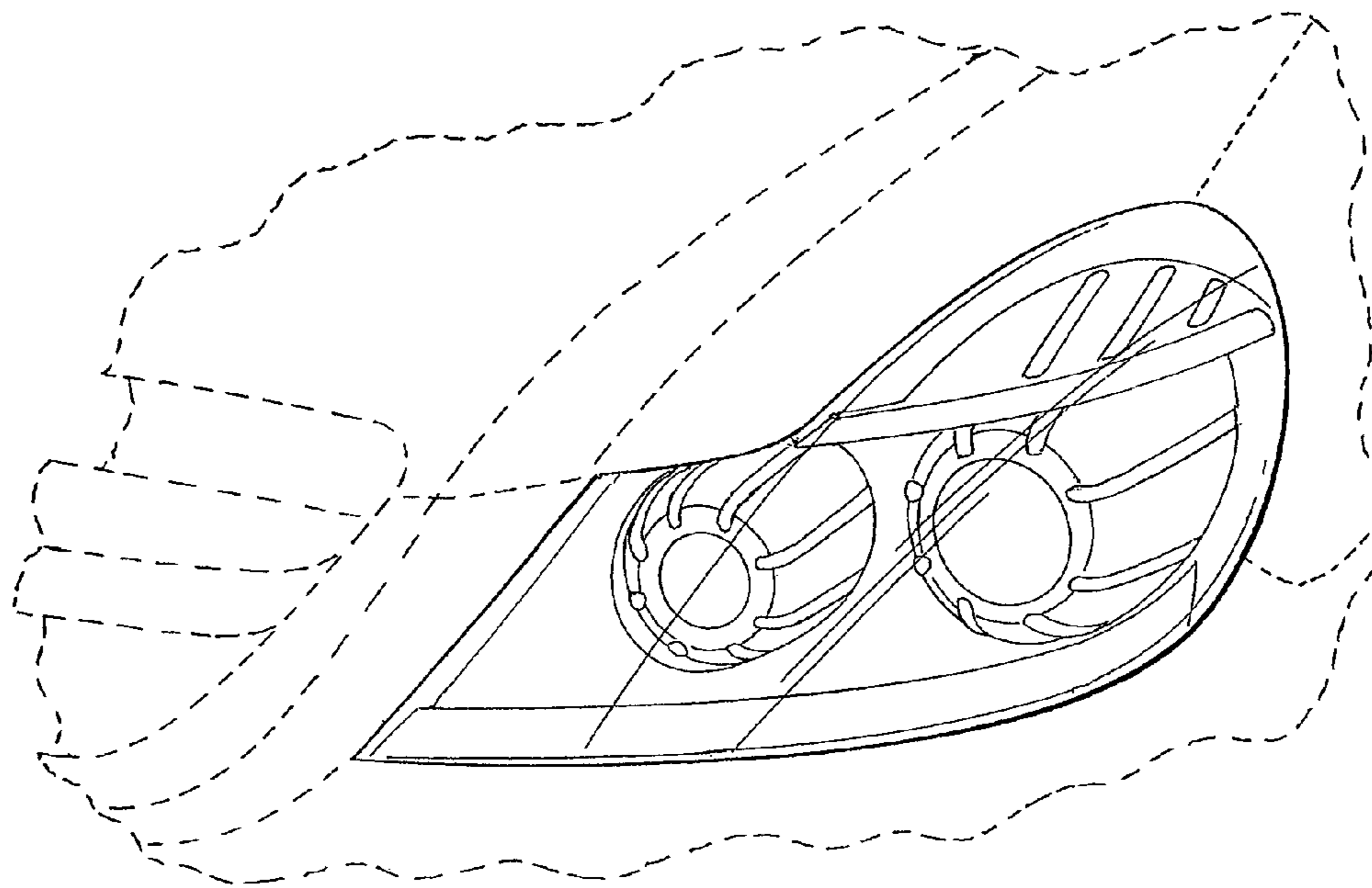
FIG. 4 is a perspective view of a second embodiment of the surface configuration of a headlight for a vehicle according to my novel design;

FIG. 5 is a side view thereof; and,

FIG. 6 is a front view thereof.

The broken lines are for illustrative purposes only and form no part of the claimed design. Also enclosed is a set of photographs of an embodiment of the design.

1 Claim, 4 Drawing Sheets



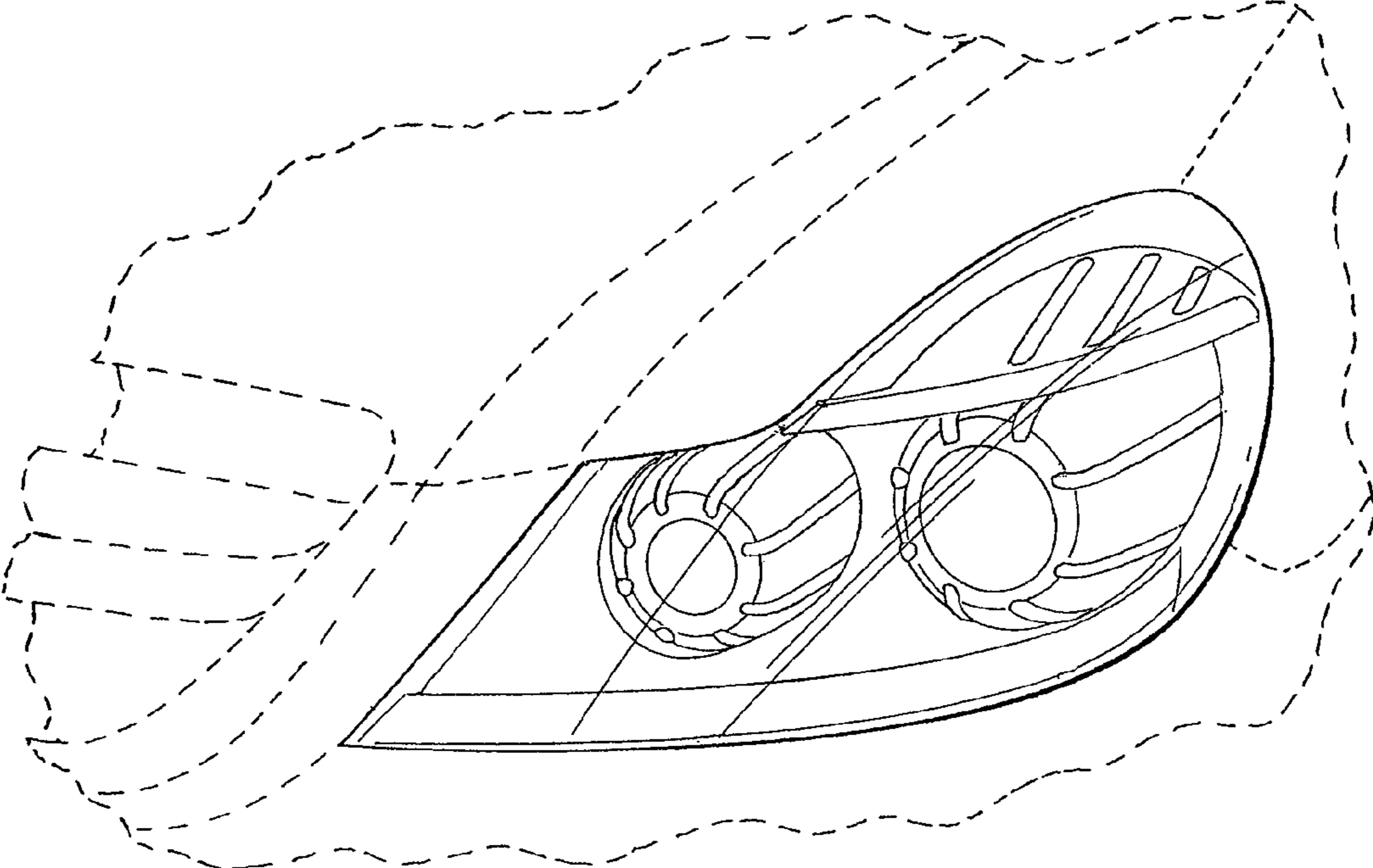


FIG. 1

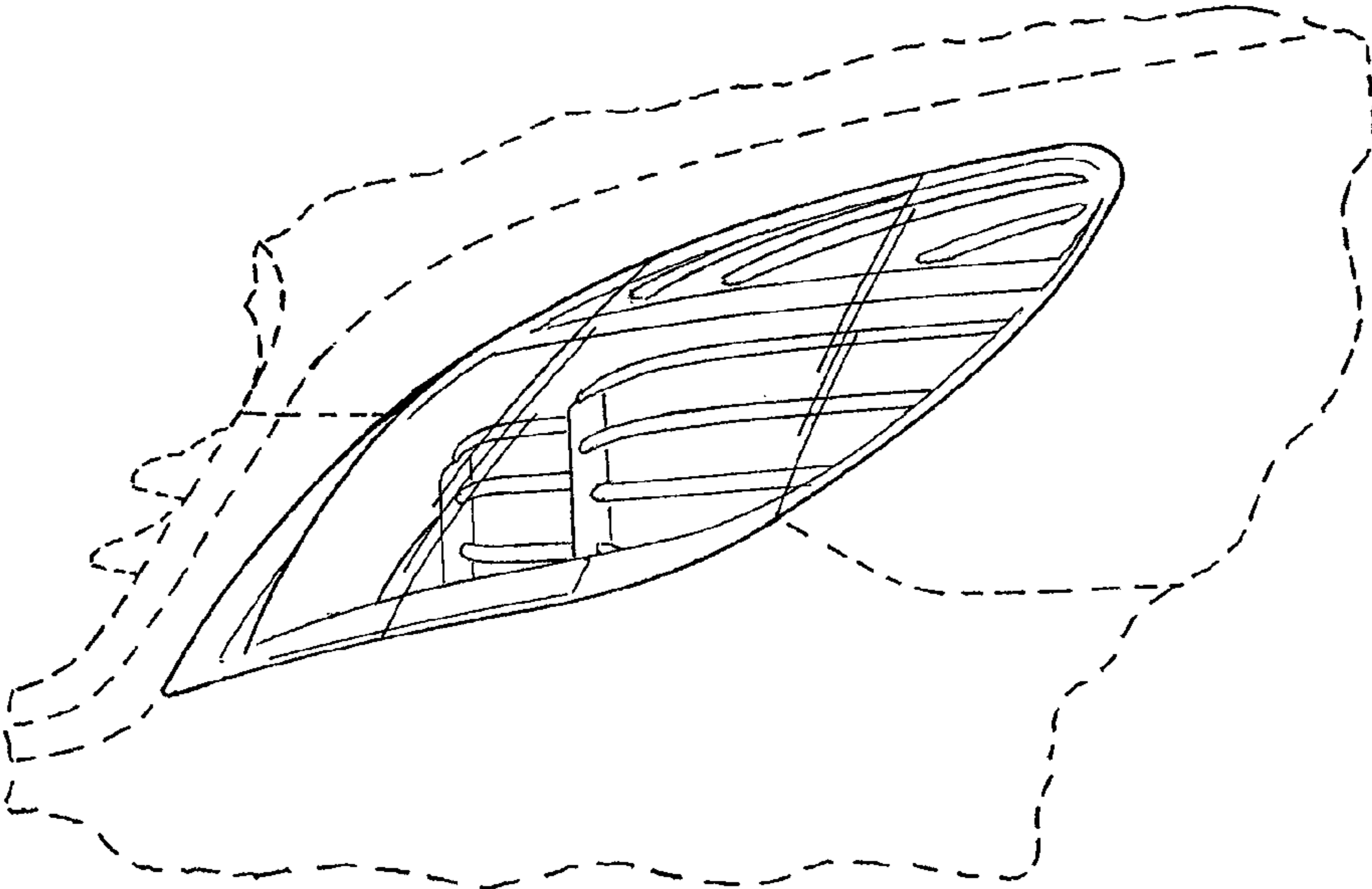


FIG. 2

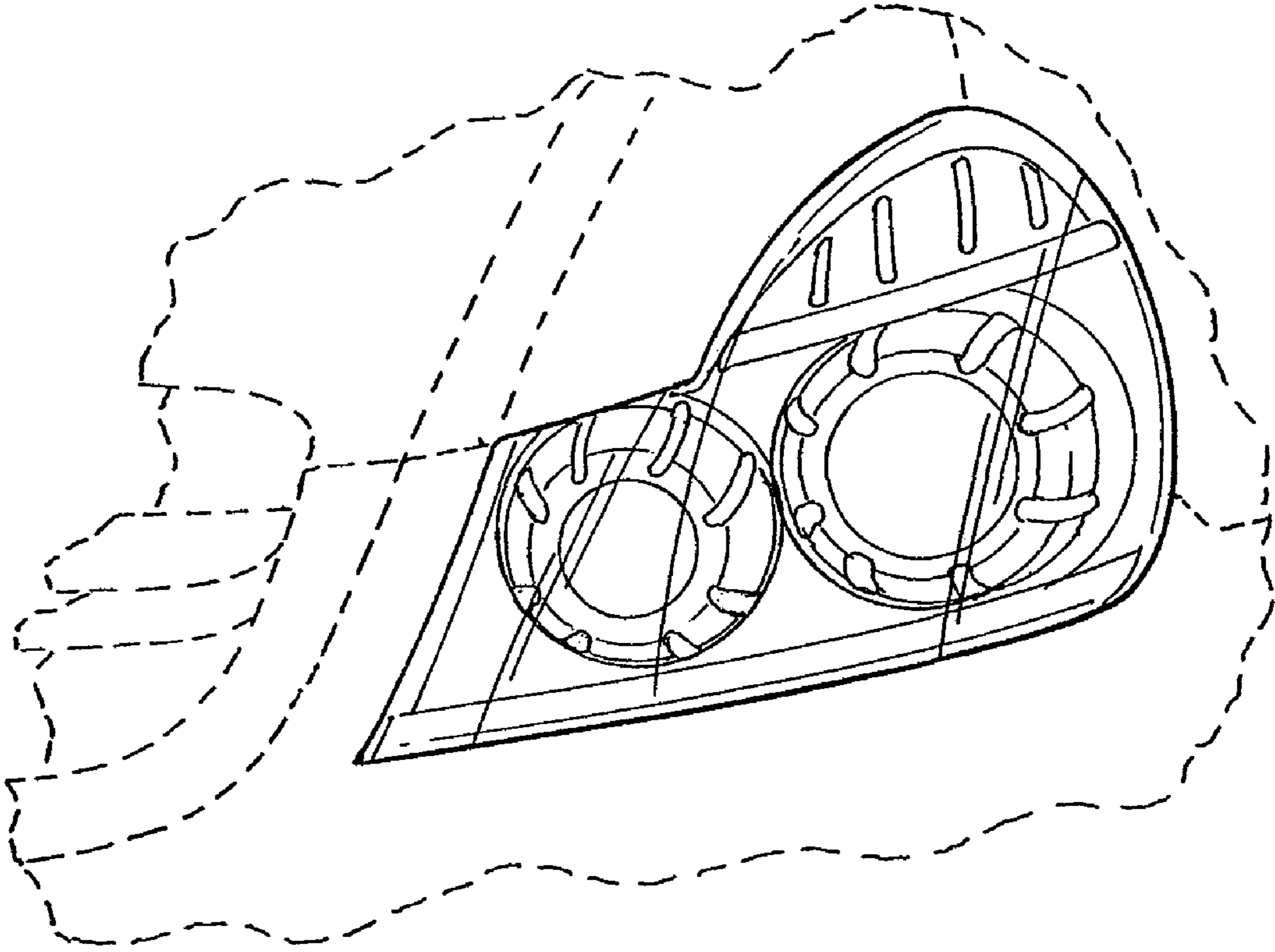


FIG. 3

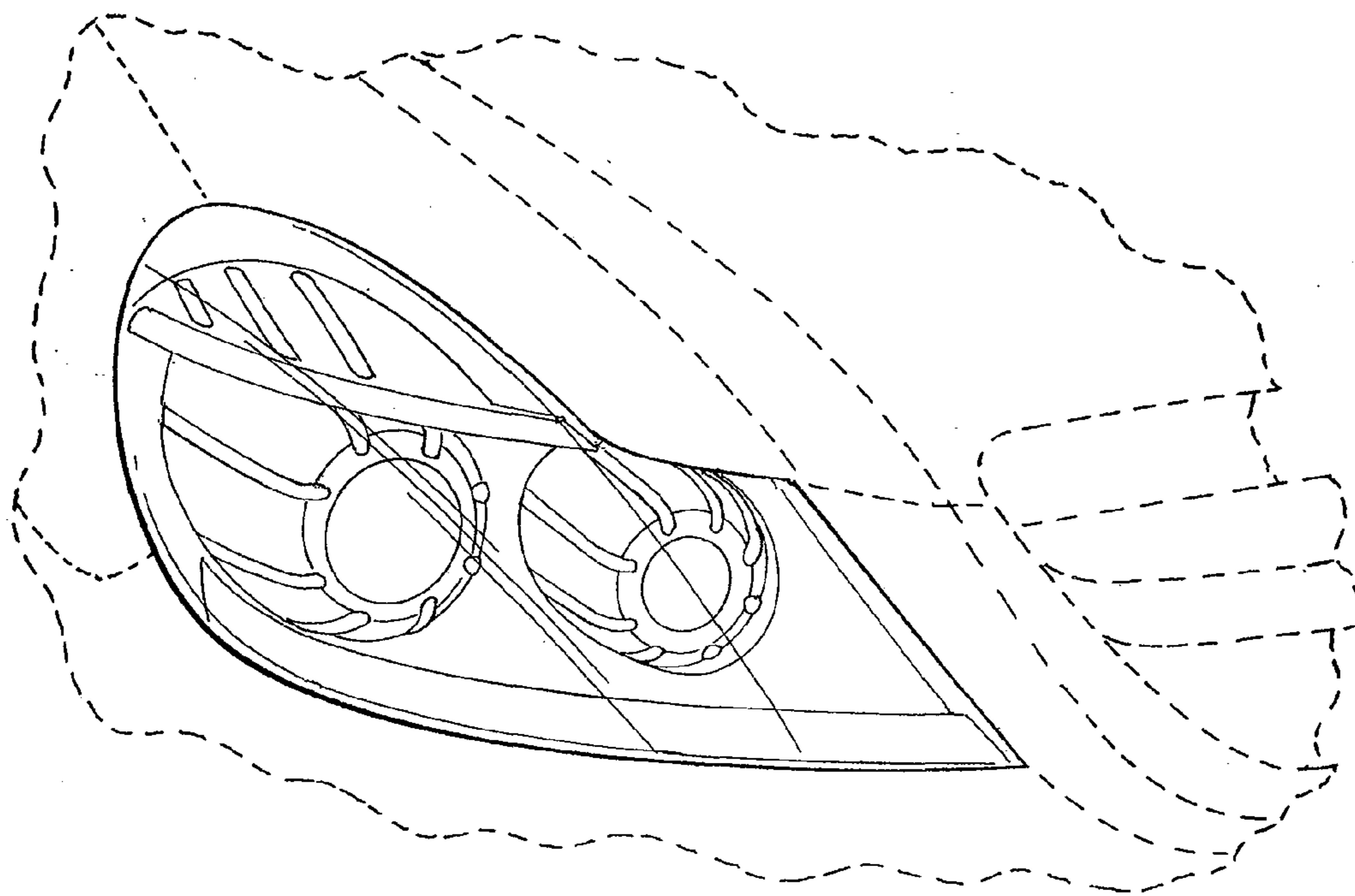


FIG. 4

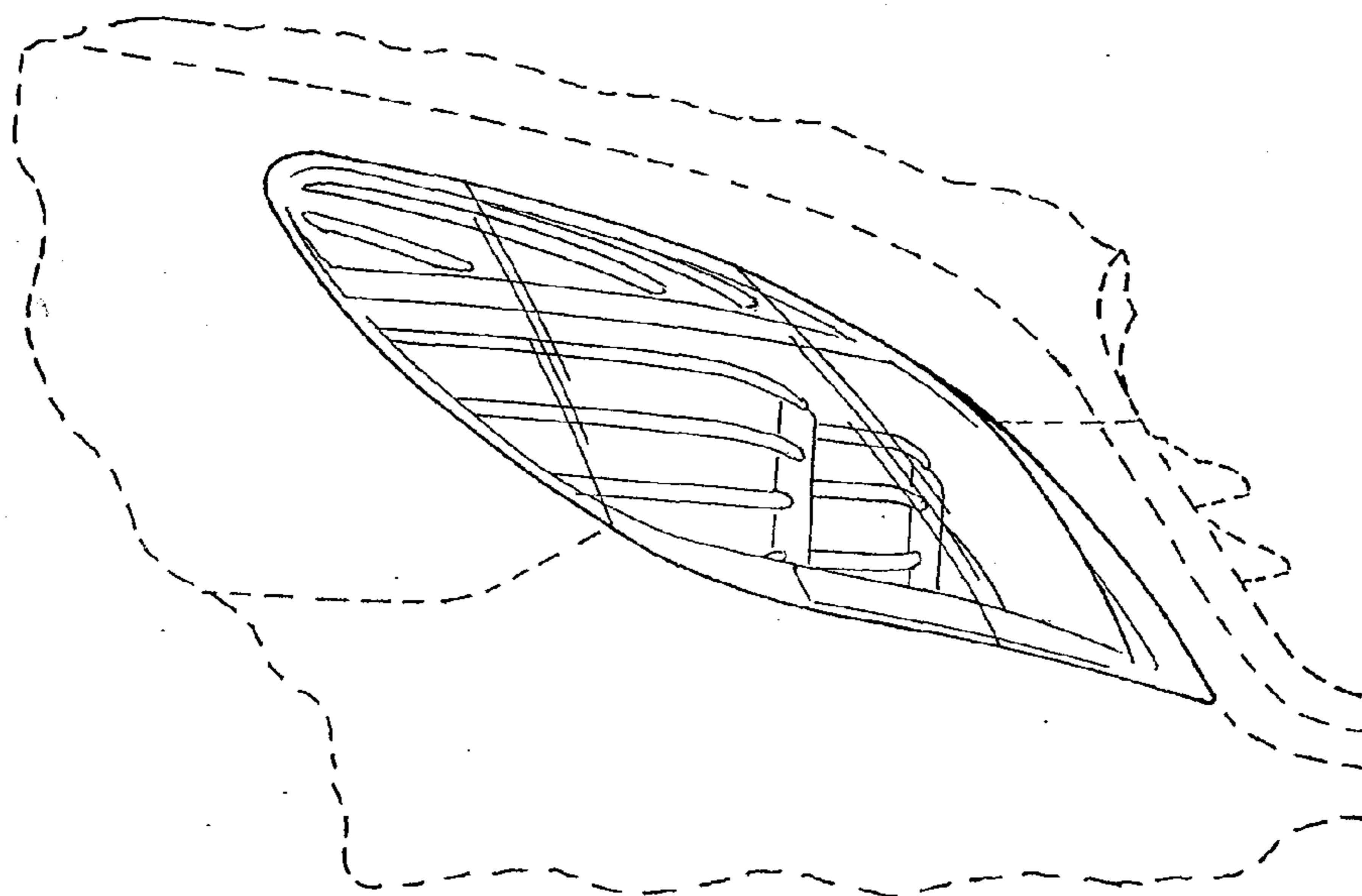


FIG. 5

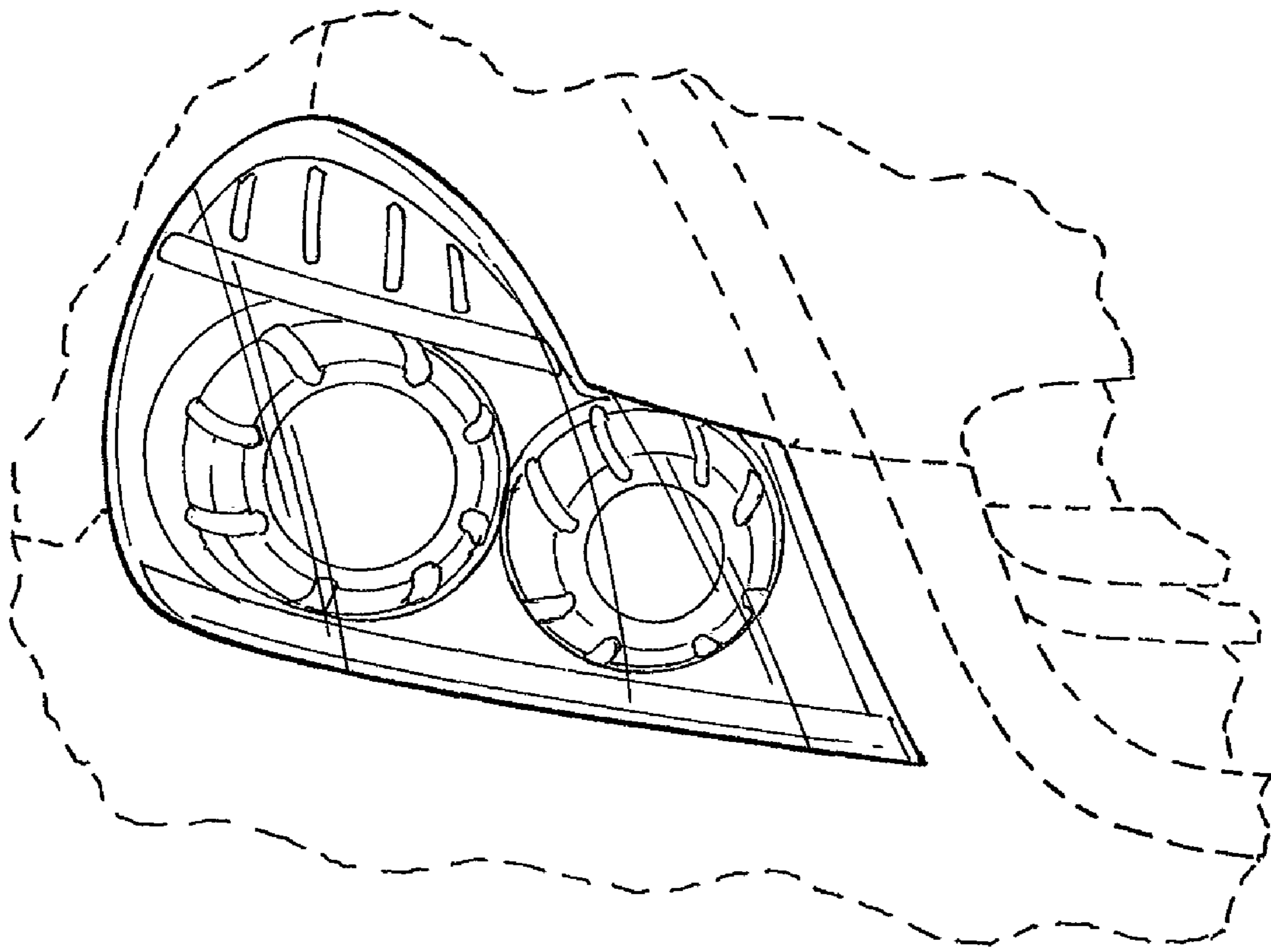


FIG. 6