



US00D599037S

(12) **United States Design Patent**
Henriquez

(10) **Patent No.:** **US D599,037 S**

(45) **Date of Patent:** **** Aug. 25, 2009**

(54) **DUAL FUNCTION INSULATED FLOOR AND ROOF PANEL**

(76) Inventor: **Jose L. Henriquez**, 4443 SW. 16th St., Miami, FL (US) 33134

(**) Term: **14 Years**

(21) Appl. No.: **29/310,738**

(22) Filed: **Sep. 8, 2008**

(51) **LOC (9) Cl.** **25-01**

(52) **U.S. Cl.** **D25/138**

(58) **Field of Classification Search** D25/138-139, D25/149, 150, 157, 113, 58, 119; 52/578, 52/588.1, 586.1, 586.2, 782.1, 783.1, 589.1, 52/311.2, 414-415, 474-475.1, 483.1
See application file for complete search history.

(56) **References Cited**

U.S. PATENT DOCUMENTS

4,372,522	A *	2/1983	Simeonoff	52/578
D331,117	S *	11/1992	Genco	D25/138
5,673,524	A *	10/1997	Gailey	52/588.1
5,725,201	A *	3/1998	Parth	52/588.1
D419,246	S *	1/2000	Lane et al.	D25/138
D440,327	S *	4/2001	Keating et al.	D25/138
D444,577	S *	7/2001	Neuhofer, Jr.	D25/138
D449,392	S *	10/2001	Kulik	D25/138
D455,843	S *	4/2002	Albany et al.	D25/119
D482,140	S *	11/2003	Hughes et al.	D25/138
D486,592	S *	2/2004	Hong	D25/138
D493,545	S *	7/2004	Lancia et al.	D25/138

* cited by examiner

Primary Examiner—Catherine R Oliver

(74) *Attorney, Agent, or Firm*—Melvin K. Silverman; Yi Li

(57) **CLAIM**

The ornamental design for a dual function insulated floor and roof panel, as shown and described.

DESCRIPTION

FIG. 1 is a top, front and right side perspective view of a dual function insulated floor and roof panel showing my new design;

FIG. 2 is a bottom, rear and right side perspective view thereof;

FIG. 3 is a right side elevational view; the opposite side being a mirror image;

FIG. 4 is a front elevational view thereof, the opposite side being a mirror image;

FIG. 5 is a top plan view thereof; and

FIG. 6 is a bottom plan view thereof;

FIG. 7 is a top, front and right side perspective view of a second embodiment of a dual function insulated floor and roof panel, with the insulation board flush with the two side brackets, showing my new design;

FIG. 8 is a bottom, rear and right side perspective view of the panel shown in FIG. 7;

FIG. 9 is a right side elevational view of the panel shown in FIG. 7; the opposite side being a mirror image;

FIG. 10 is a front elevational view of the panel shown in FIG. 7, the opposite side being a mirror image;

FIG. 11 is a top plan view of the panel shown in FIG. 7; and,

FIG. 12 is a bottom plan view of the panel shown in FIG. 7.

1 Claim, 6 Drawing Sheets

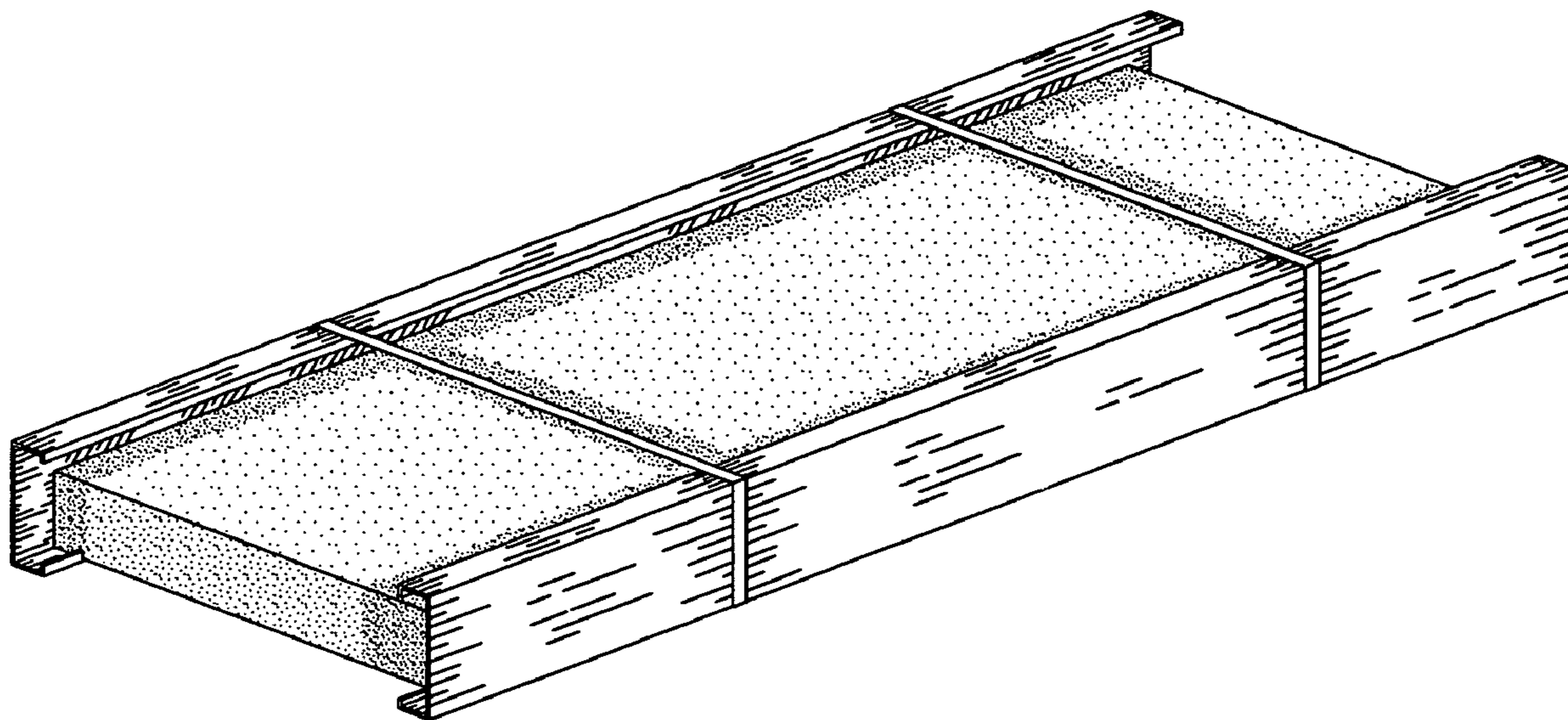


Fig. 1

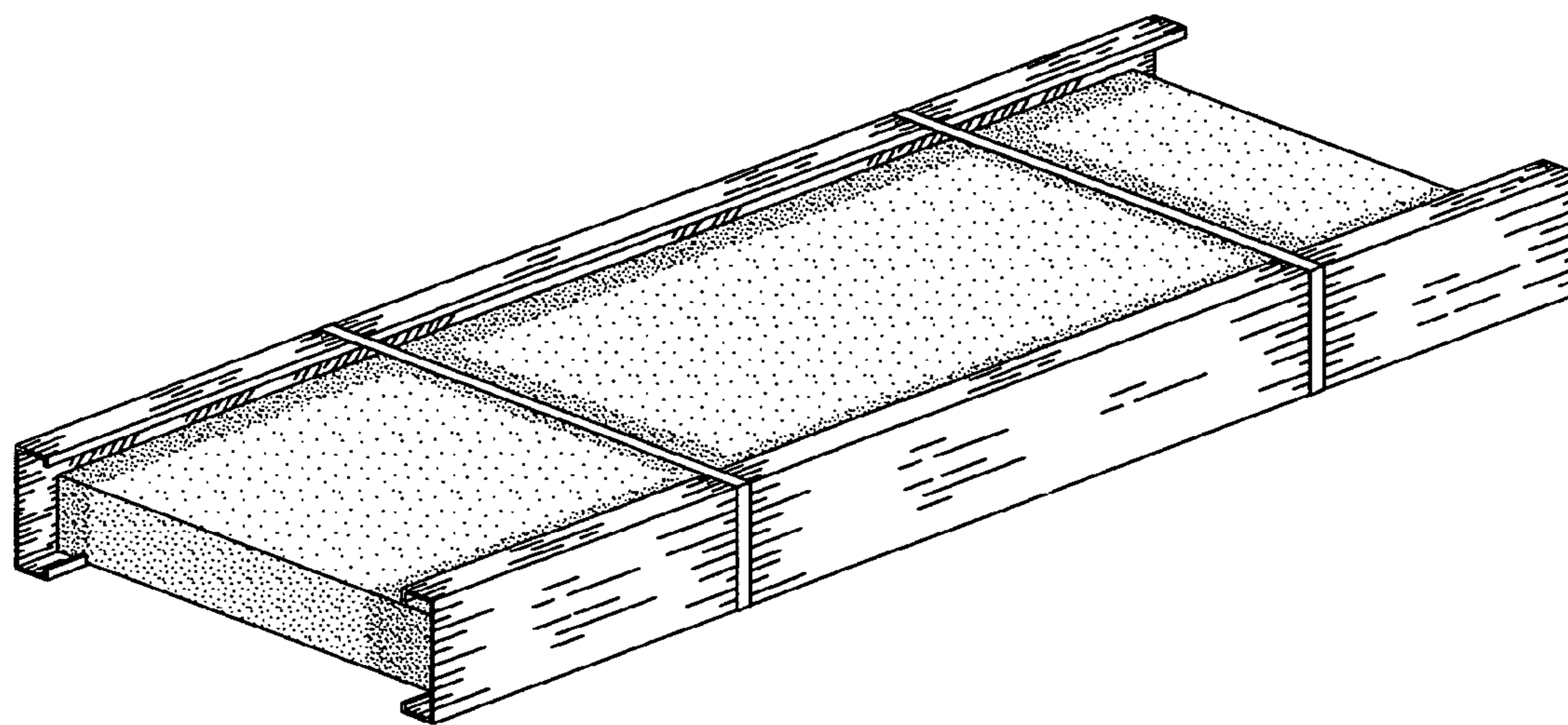


Fig. 2

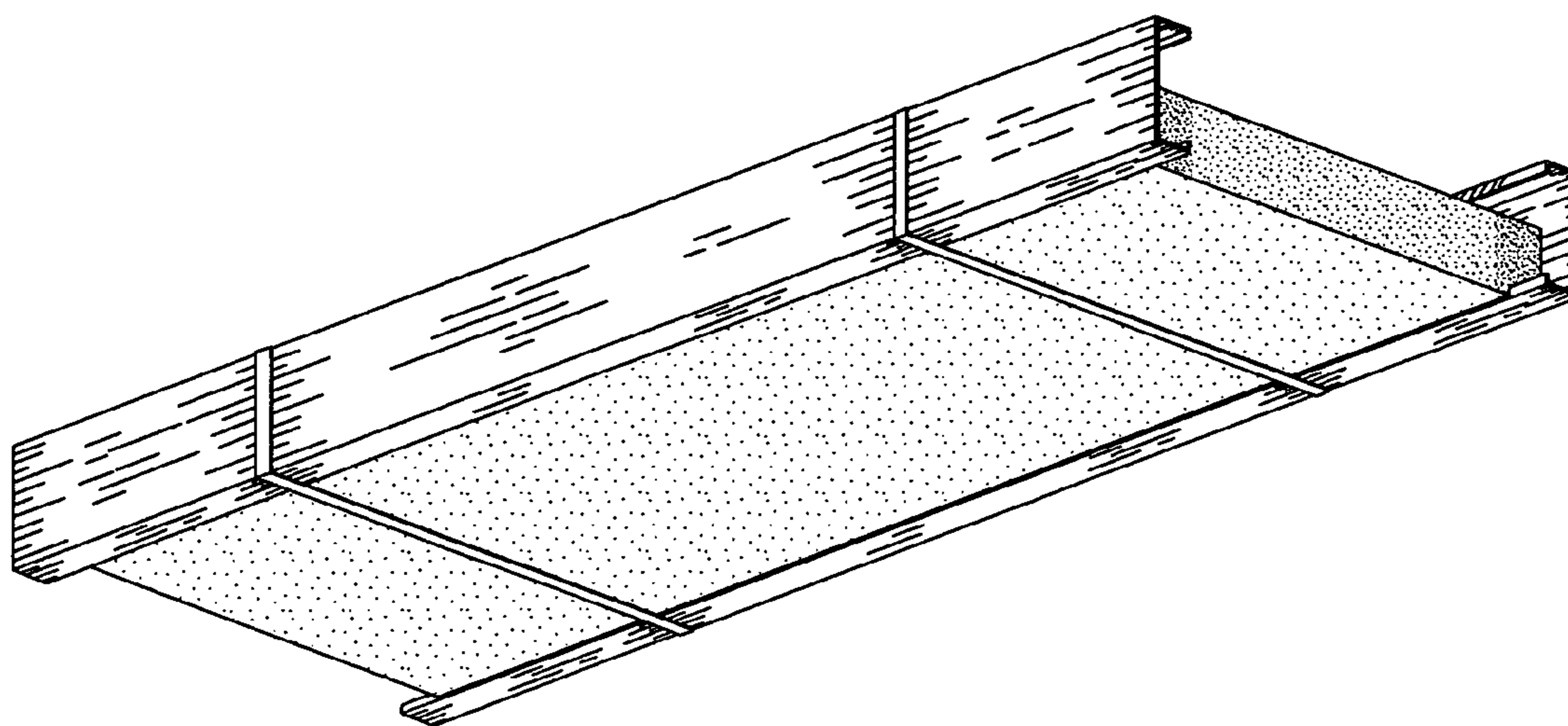


Fig. 3

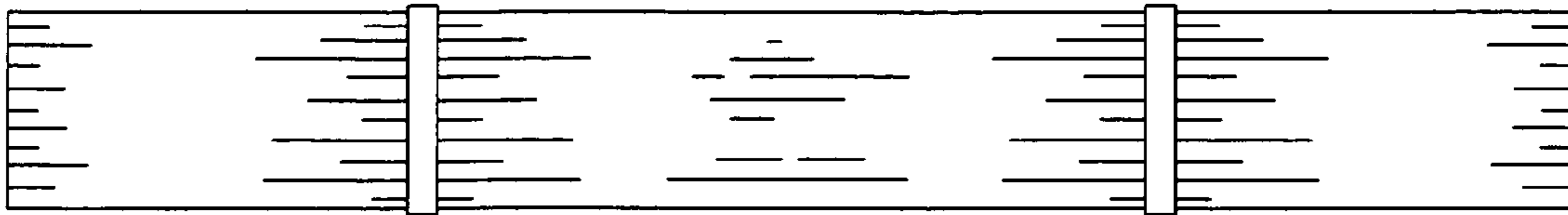


Fig. 4

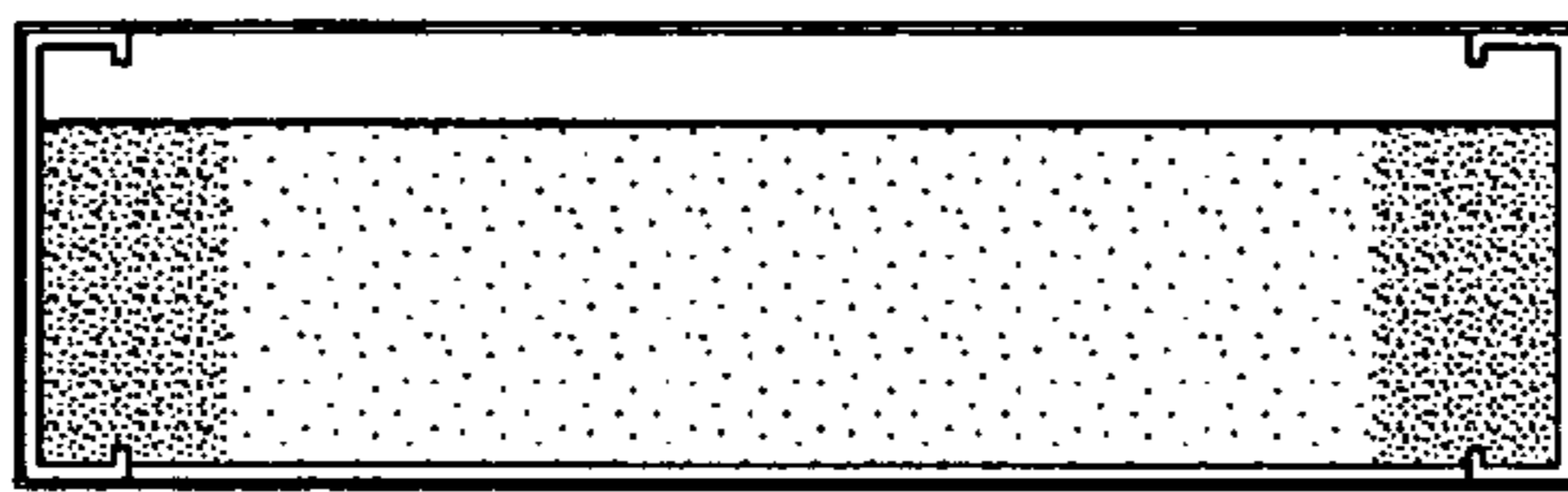


Fig. 5

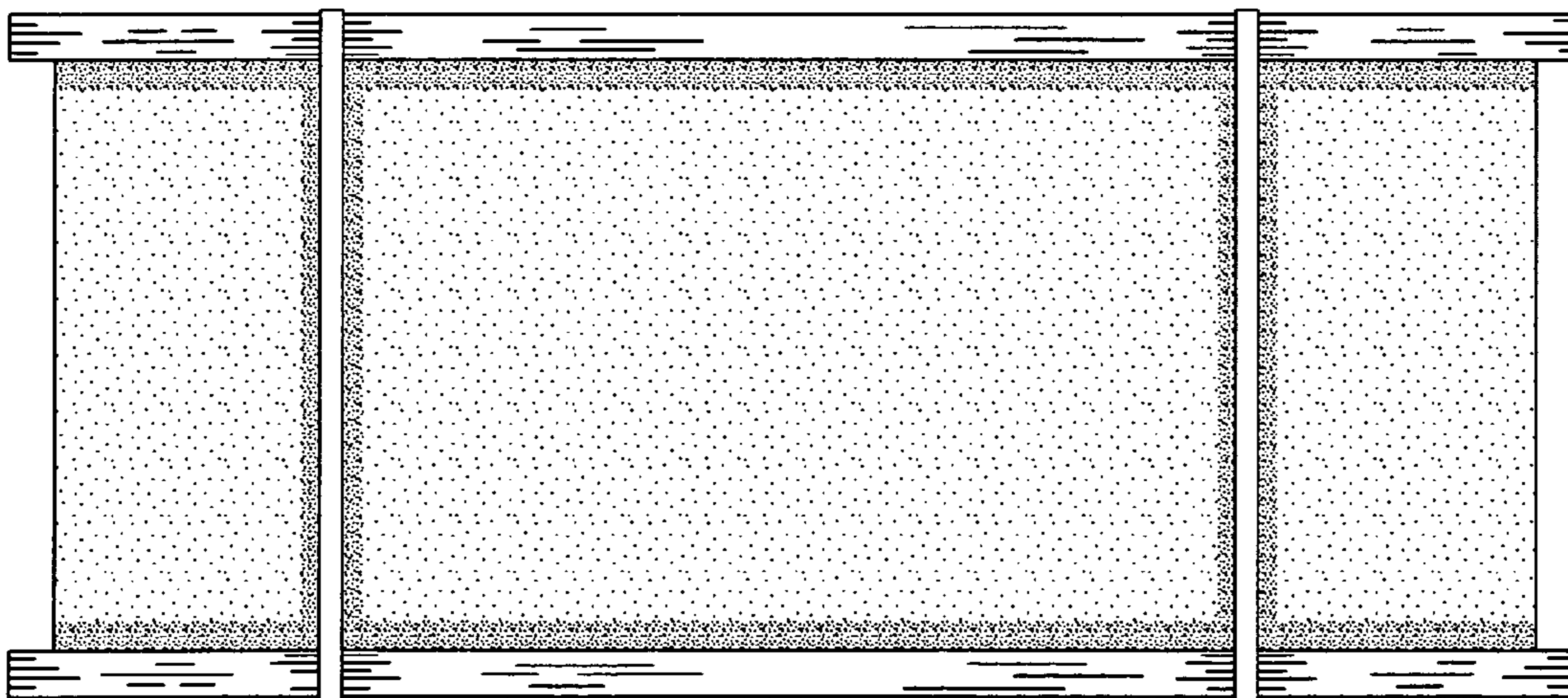


Fig. 6

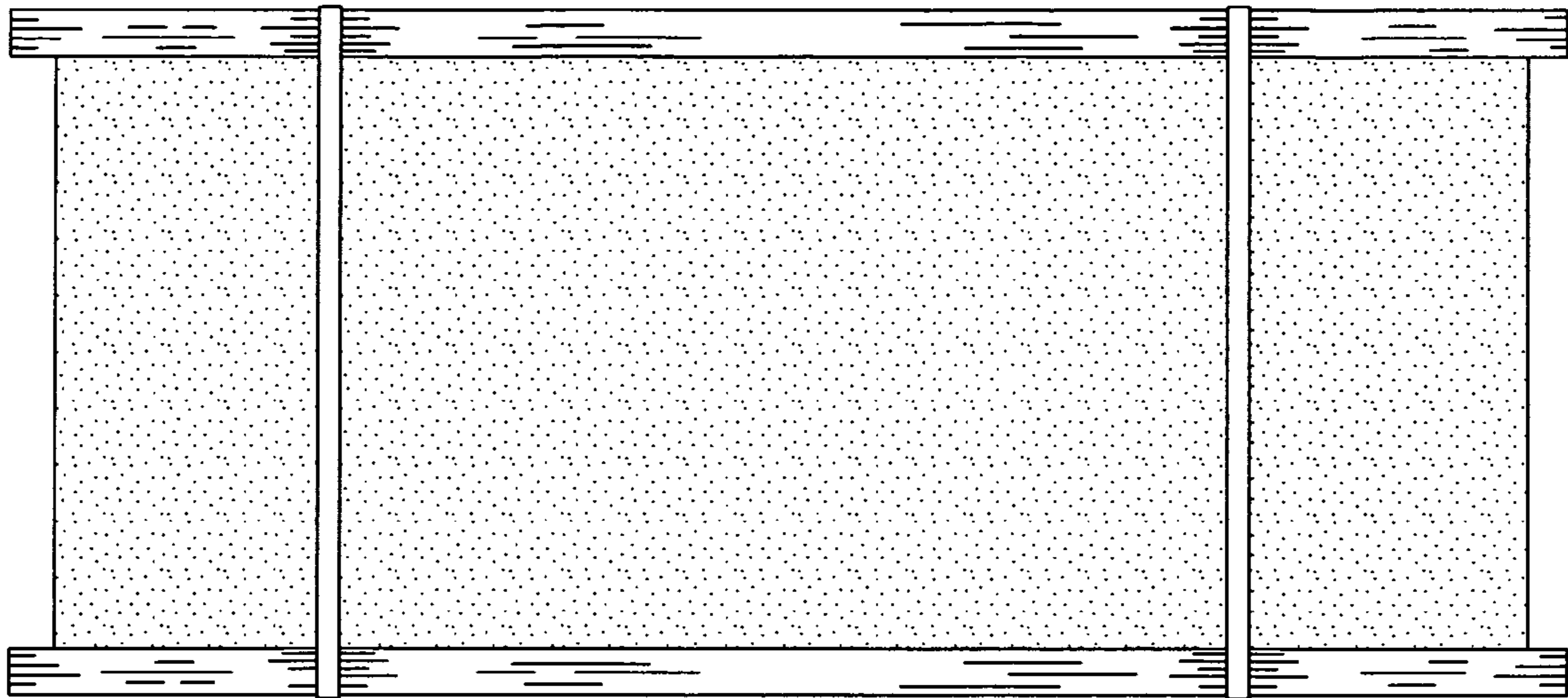


Fig. 7

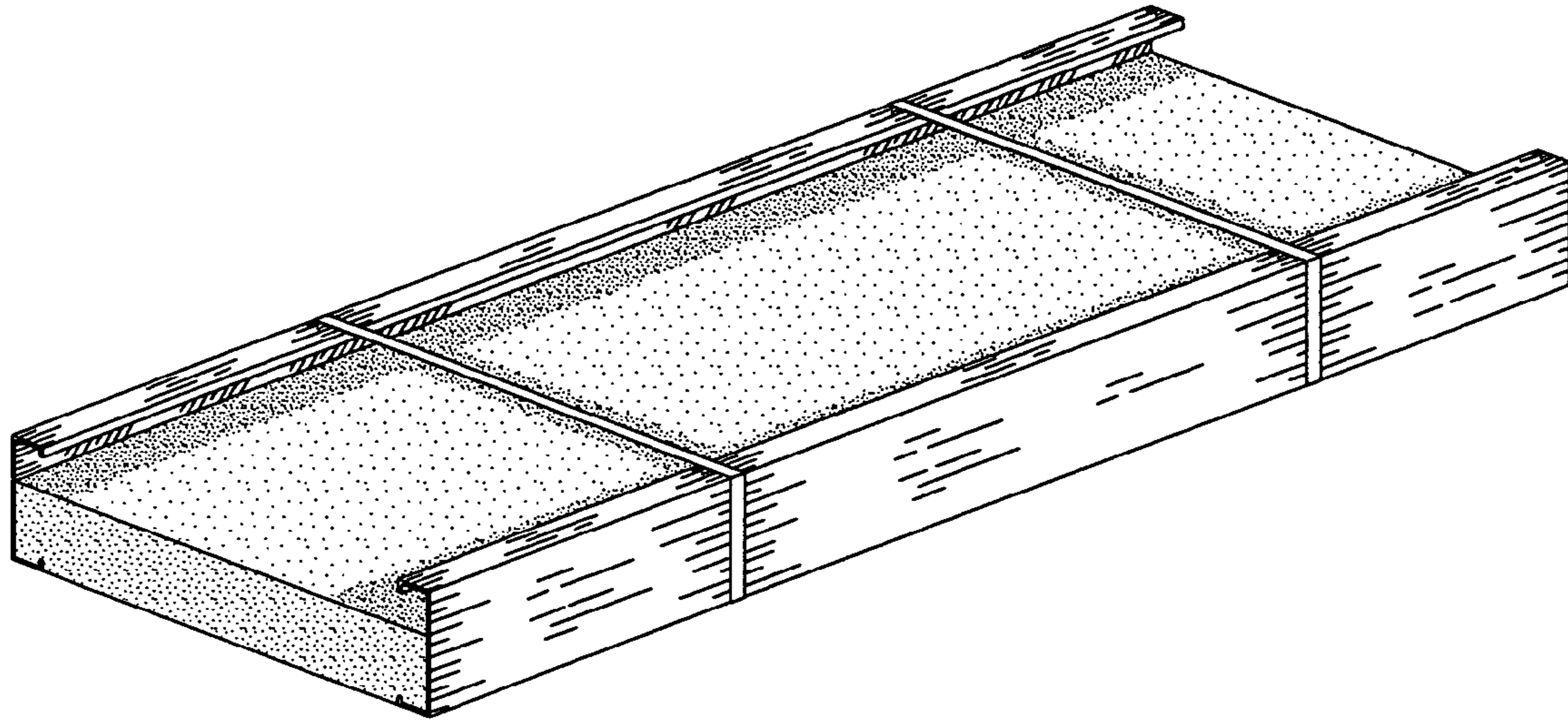


Fig. 8

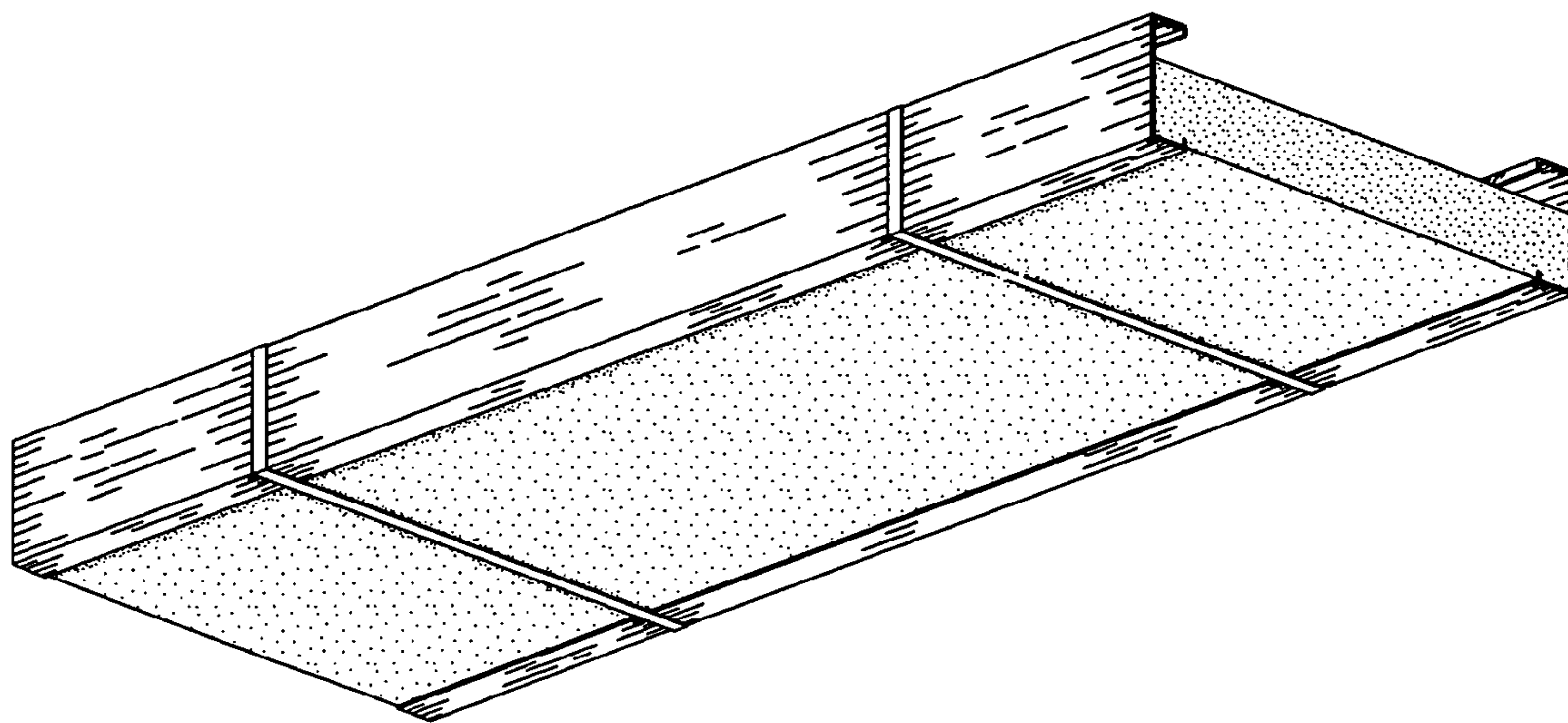


Fig. 9

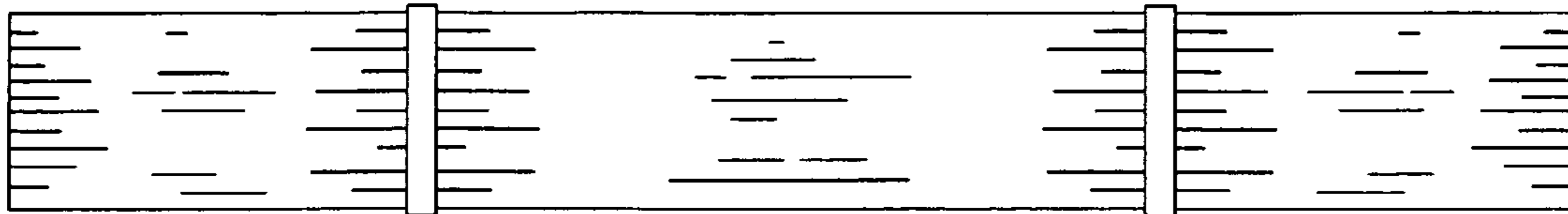


Fig. 10

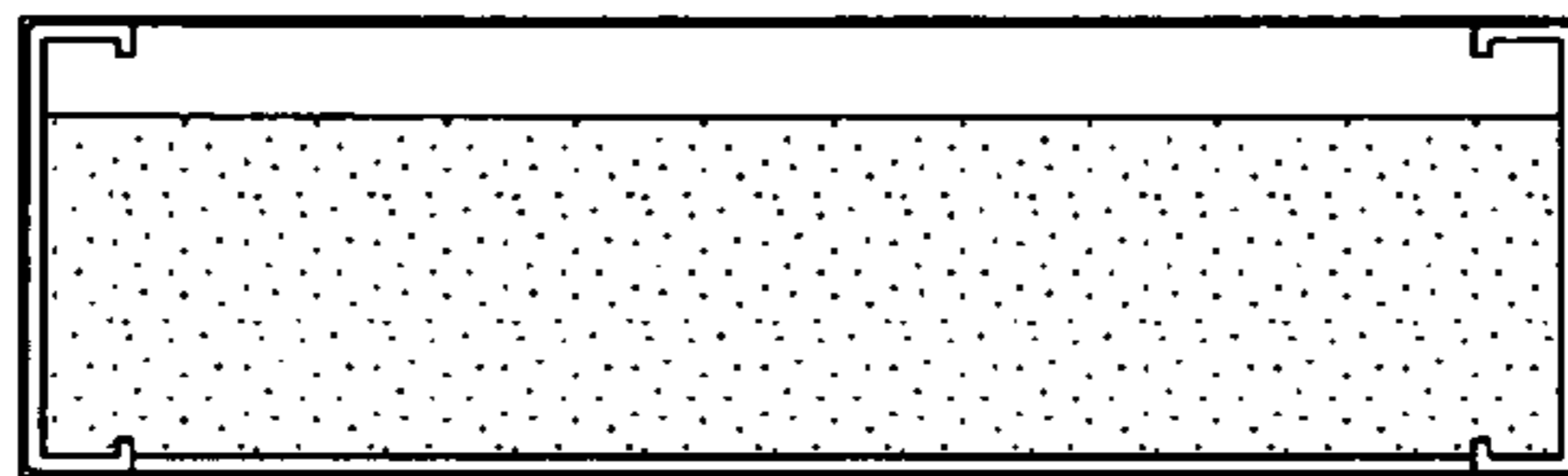


Fig. 11

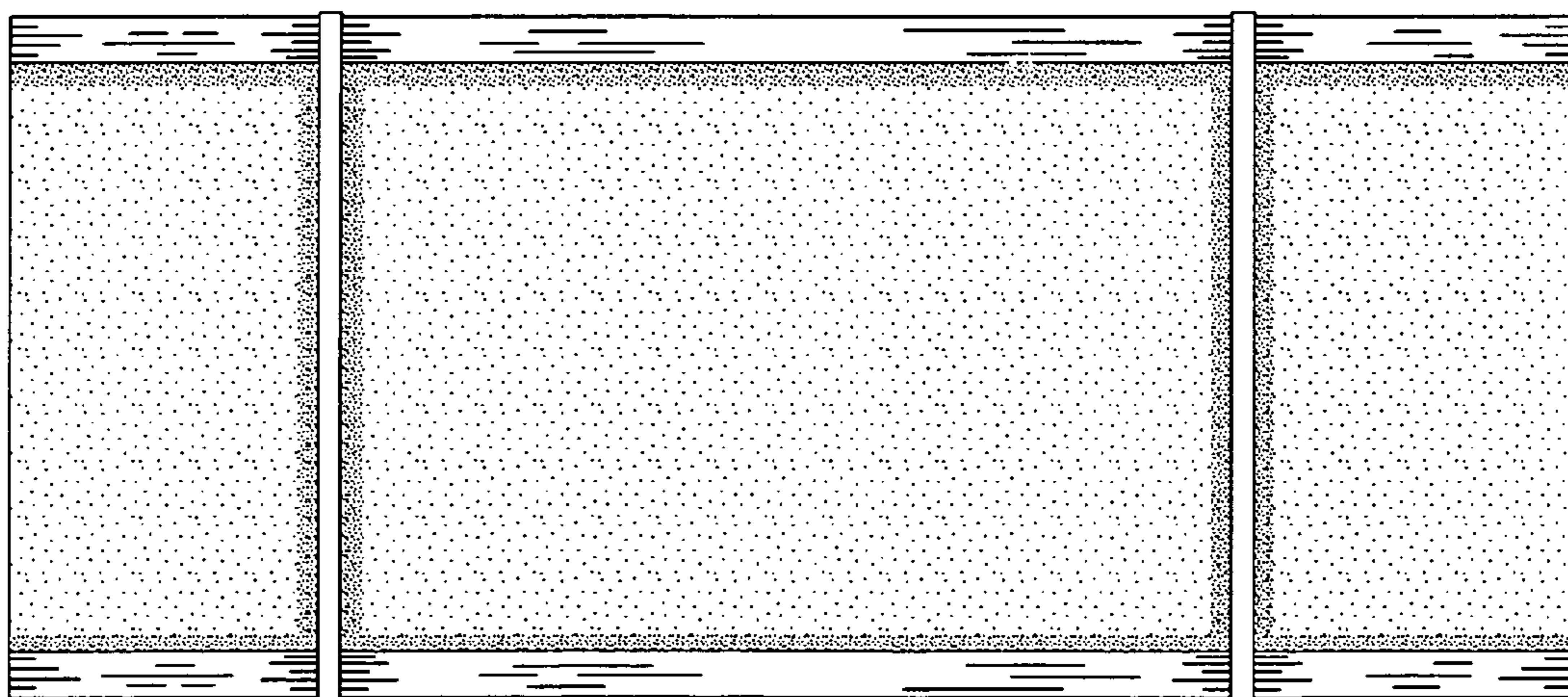


Fig. 12

