

US00D599035S

(12) **United States Design Patent**  
**Clarke**

(10) **Patent No.:** **US D599,035 S**

(45) **Date of Patent:** **\*\* Aug. 25, 2009**

(54) **SUPPORT POST**

D508,572 S 8/2005 Suggate  
D529,200 S 9/2006 Hubbell

(75) Inventor: **Gregory A. Clarke**, London (CA)

(73) Assignee: **Zilch, Inc.**, London, Ontario (CA)

(\*\*) Term: **14 Years**

(21) Appl. No.: **29/333,219**

(22) Filed: **Mar. 4, 2009**

**Related U.S. Application Data**

(62) Division of application No. 29/298,369, filed on Dec. 4, 2007, now Pat. No. Des. 588,281.

(51) **LOC (9) Cl.** ..... **25-01**

(52) **U.S. Cl.** ..... **D25/121; D25/126**

(58) **Field of Classification Search** ..... D25/126,  
D25/121, 133, 134; 256/65.14, 65.11, 65.01;  
52/152, 832, 736.1

See application file for complete search history.

(56) **References Cited**

**U.S. PATENT DOCUMENTS**

2,533,041	A	12/1950	Plummer	
3,256,658	A	6/1966	Seery	
3,851,981	A	12/1974	Corsi et al.	
D265,130	S	6/1982	Persson	
5,380,115	A	1/1995	Colonias	
D377,836	S	2/1997	Miller et al.	
D409,768	S *	5/1999	Schiess	D25/126
D433,162	S *	10/2000	Sandlin	D25/126
6,363,680	B1 *	4/2002	Erwin	52/832
D472,333	S *	3/2003	Shaw	D25/121
6,634,154	B1 *	10/2003	Palencar	52/832
D484,252	S *	12/2003	Hughes et al.	D25/126

**OTHER PUBLICATIONS**

Fairway Vinyl Systems, Web page entitled "Structural Vinyl Porch Post Installation Instructions 2006v2" (<http://www.fairwayvinyl.com/techhelp/Vertical%20Support%20Sys/Porch%20Post.pdf>), dated 2006.

The Sater Design Collection, Inc., [www.saterluxuryhmes.com](http://www.saterluxuryhmes.com), pp. 70-8-, 103-104, 149-150.

Realcedar, Web page entitled "Outdoor Projects, Gazebos & Sheds, Garden Pavilion" (<http://www.wrcia.org/cedarprojects/gazebos/basicpavilion.asp>), dated Aug. 30, 2007.

\* cited by examiner

*Primary Examiner*—Doris Clark

(74) *Attorney, Agent, or Firm*—Bereskin & Parr LLP/S.E.N.C.R.L.; s.r.l.

(57) **CLAIM**

The ornamental design for a support post, as shown and described.

**DESCRIPTION**

FIG. 1 is a front perspective view of a support post showing my new design;

FIG. 2 is a front elevational view thereof;

FIG. 3 is a right side elevational view thereof;

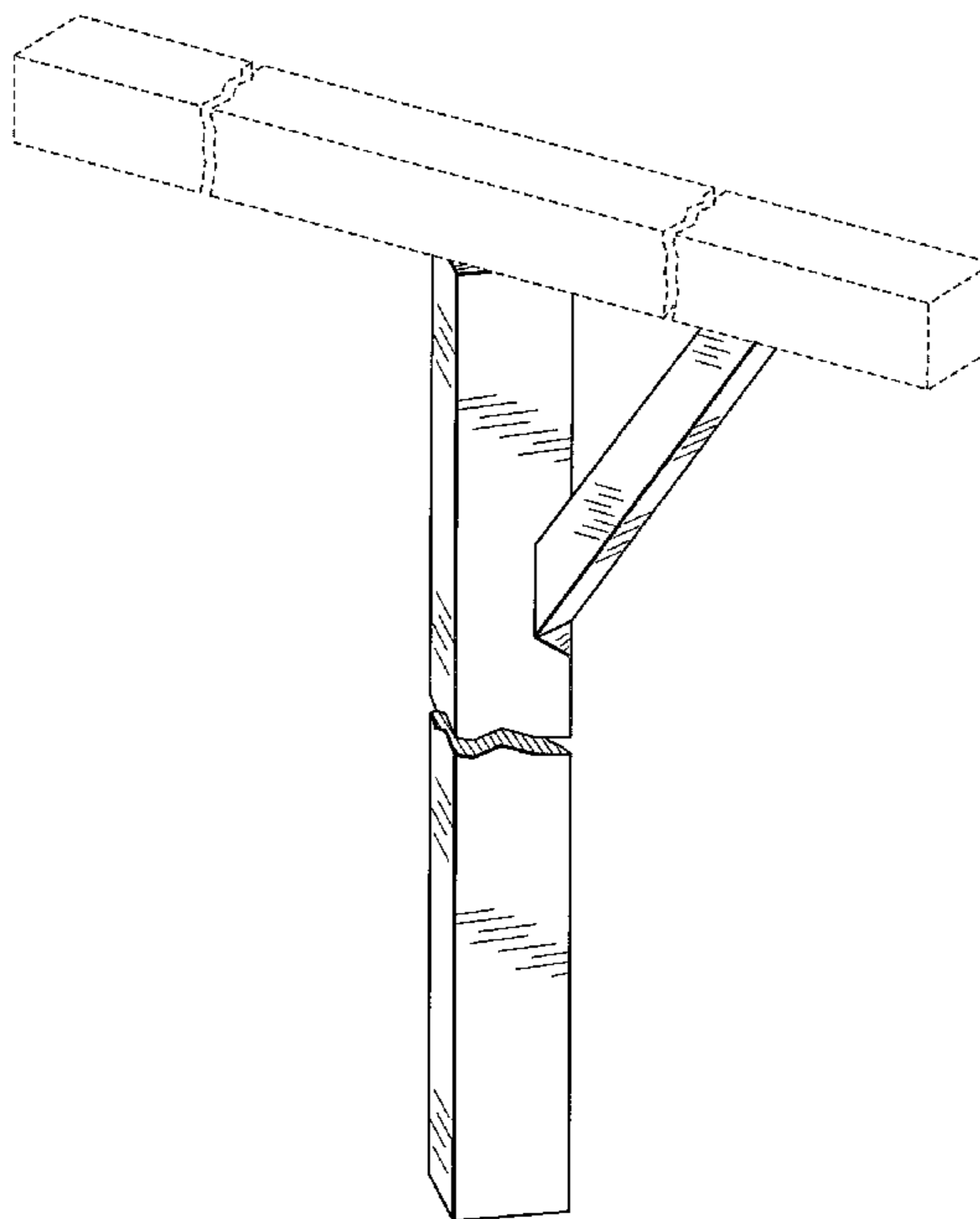
FIG. 4 is a left side elevational view thereof; and

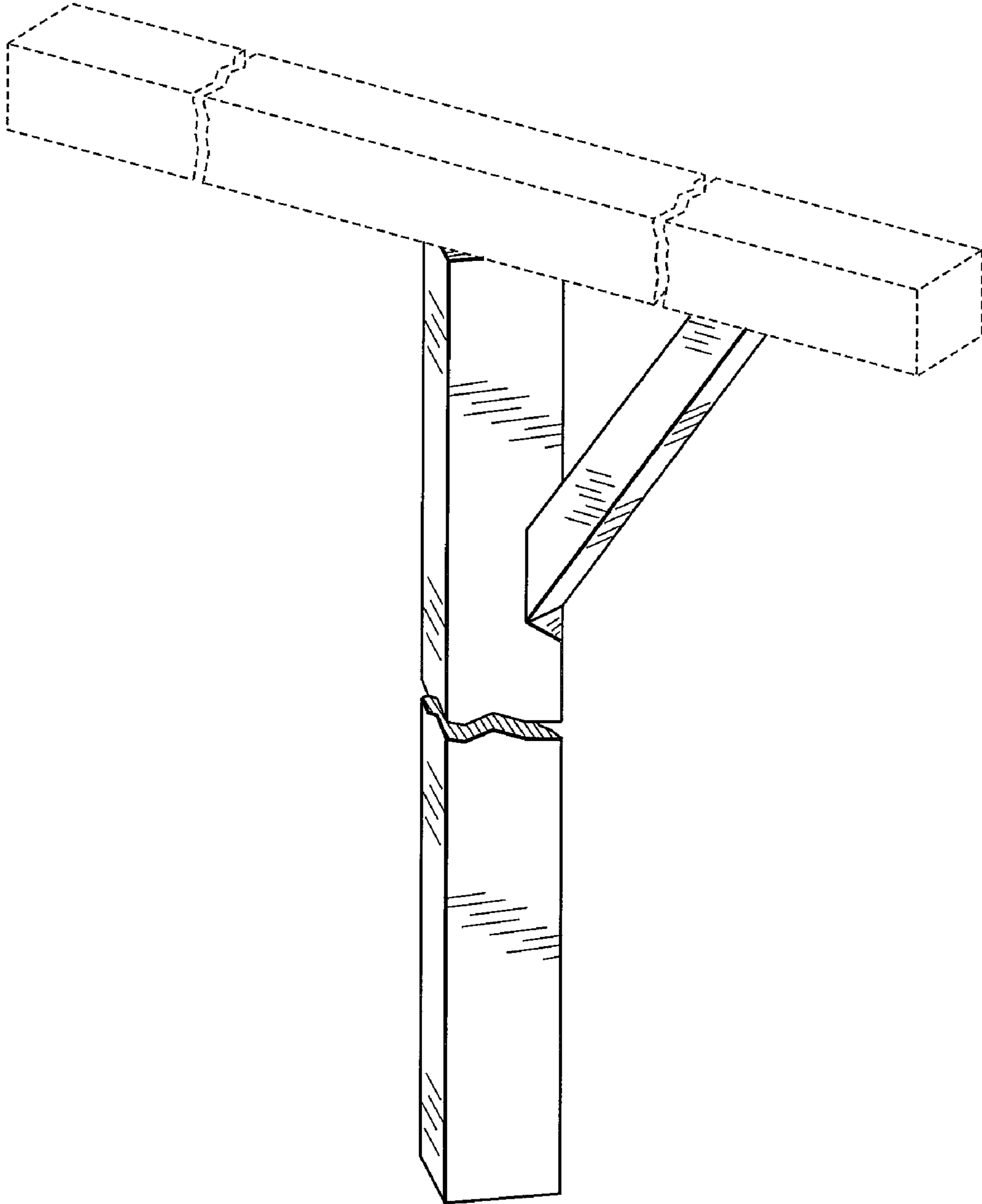
FIG. 5 is a top plan view thereof; and,

FIG. 6 is a bottom plan view thereof.

The broken lines are for illustrative purposes only and form no part of the claimed design.

**1 Claim, 3 Drawing Sheets**





**FIG. 1**

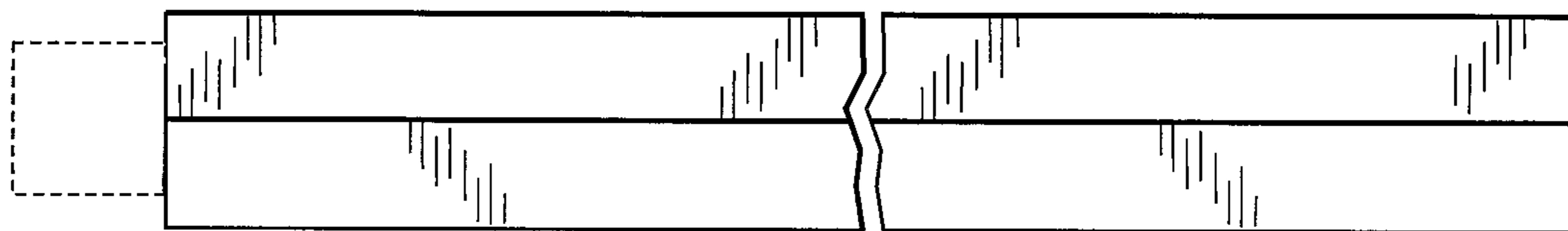


FIG. 4

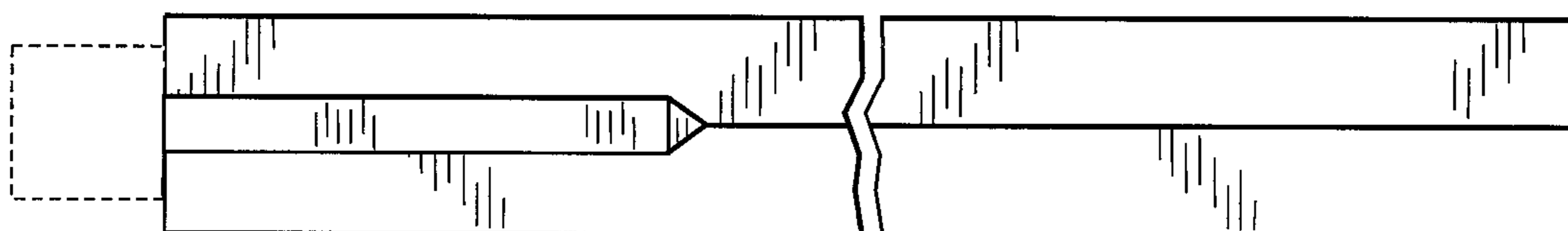


FIG. 3

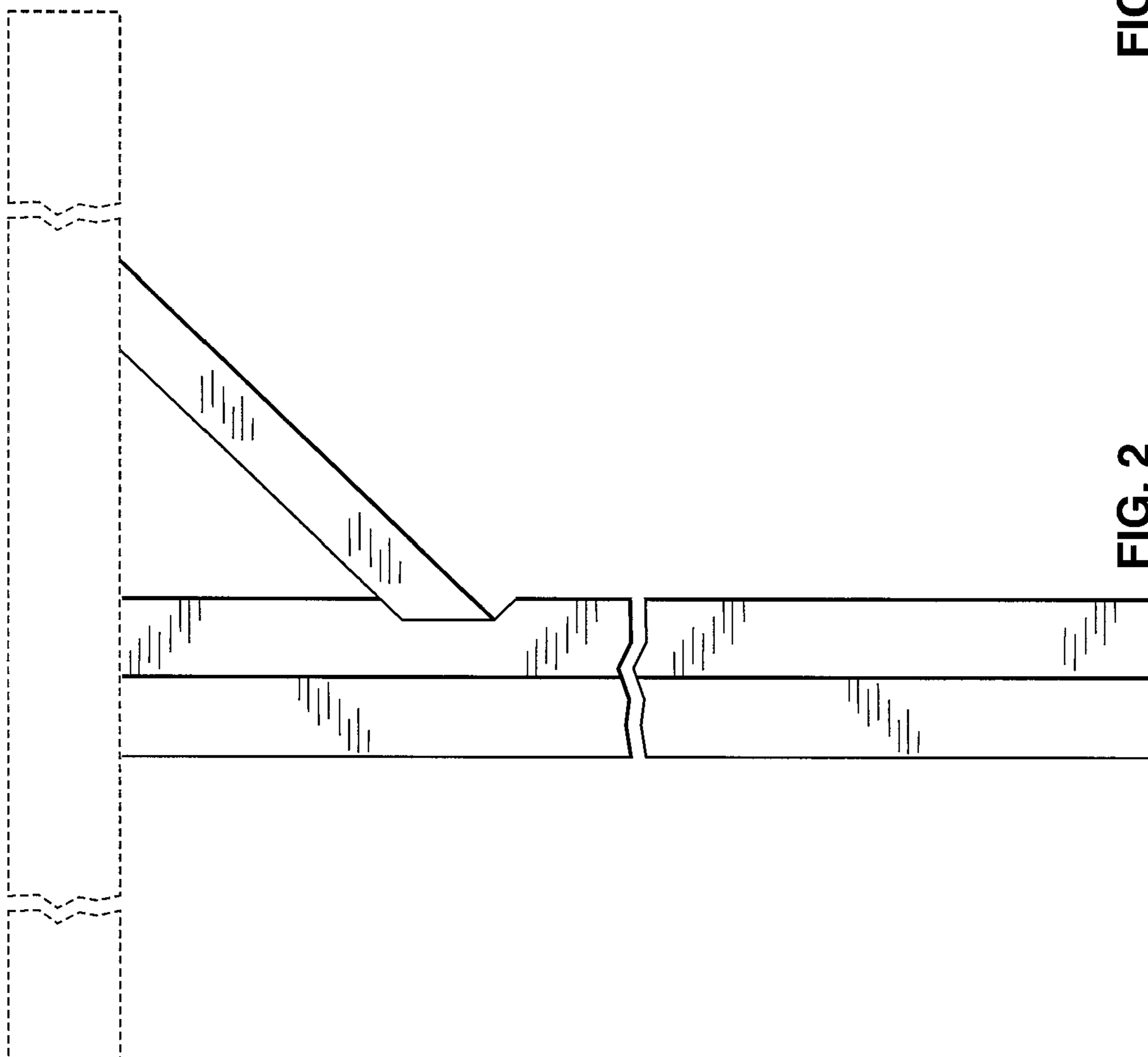
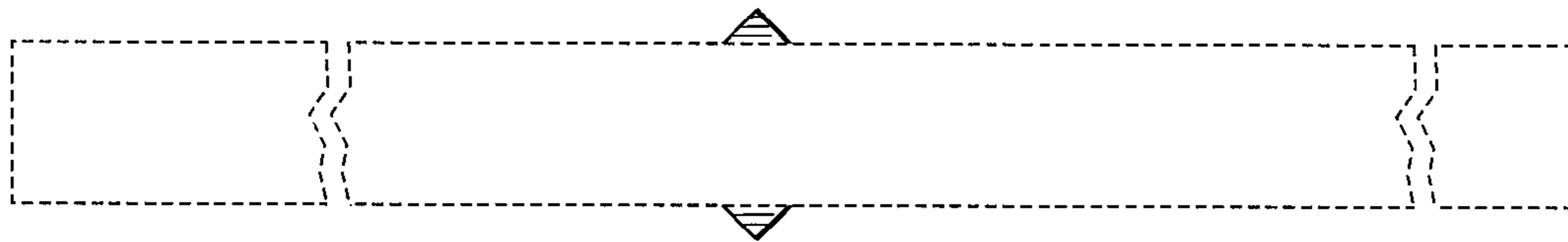
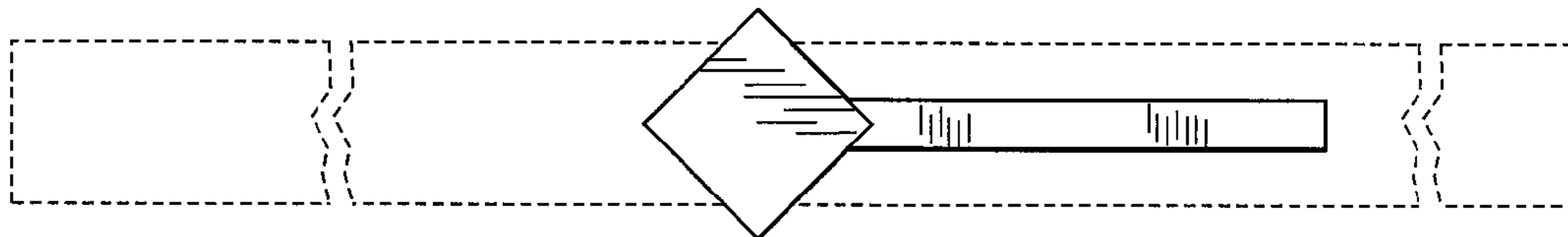


FIG. 2



**FIG. 5**



**FIG. 6**