



US00D599034S

(12) **United States Design Patent**
Placer

(10) **Patent No.:** **US D599,034 S**

(45) **Date of Patent:** **** Aug. 25, 2009**

(54) **CONTOURED SOLAR PANEL FRAME MEMBER**

JP 2006-073865 A 3/2006
JP 2006-100639 A 4/2006
JP 2006-278538 A 10/2006
WO WO 2004/101938 A1 11/2004

(75) Inventor: **Neil V. Placer**, Frederick, MD (US)

(73) Assignee: **BP Corporation North America Inc.**,
Warrenville, IL (US)

* cited by examiner

Primary Examiner—Doris Clark

(74) *Attorney, Agent, or Firm*—Thomas E. Nemo

(**) Term: **14 Years**

(21) Appl. No.: **29/303,051**

(57) **CLAIM**

(22) Filed: **Jan. 31, 2008**

I claim the ornamental design for a contoured solar panel frame member, as shown and described.

(51) **LOC (9) Cl.** **25-02**

(52) **U.S. Cl.** **D25/60**

(58) **Field of Classification Search** D25/60,
D25/119; 136/206; 428/34; 52/173.3, 200,
52/DIG. 17

DESCRIPTION

See application file for complete search history.

FIG. 1 is a front perspective view of a contoured solar panel frame member;

FIG. 2 is a back perspective view of the contoured solar panel frame member, as shown in FIG. 1;

(56) **References Cited**

U.S. PATENT DOCUMENTS

3,658,596 A 4/1972 Osborne
D333,353 S * 2/1993 Guhl et al. D25/60
5,953,869 A * 9/1999 Balfour et al. 52/200
D454,210 S * 3/2002 Lindgren et al. D25/60
6,370,828 B1 * 4/2002 Genschorek 52/200
6,385,922 B1 * 5/2002 Mors 52/173.3

FIG. 3 is a front view of the contoured solar panel frame member, as shown in FIG. 1;

FIG. 4 is a back view of the contoured solar panel frame member, as shown in FIG. 1;

FOREIGN PATENT DOCUMENTS

JP 04-293872 A 10/1992
JP 08-013725 A 1/1996
JP 2001-230440 A 8/2001
JP 2003-301572 A 10/2003

FIG. 5 is a side view, which is a mirror image of the opposite side view, of the contoured solar panel frame member, as shown in FIG. 1;

FIG. 6 is a top view of the contoured solar panel frame member, as shown in FIG. 1; and,

FIG. 7 is a bottom view of the contoured solar panel frame member, as shown in FIG. 1.

1 Claim, 2 Drawing Sheets

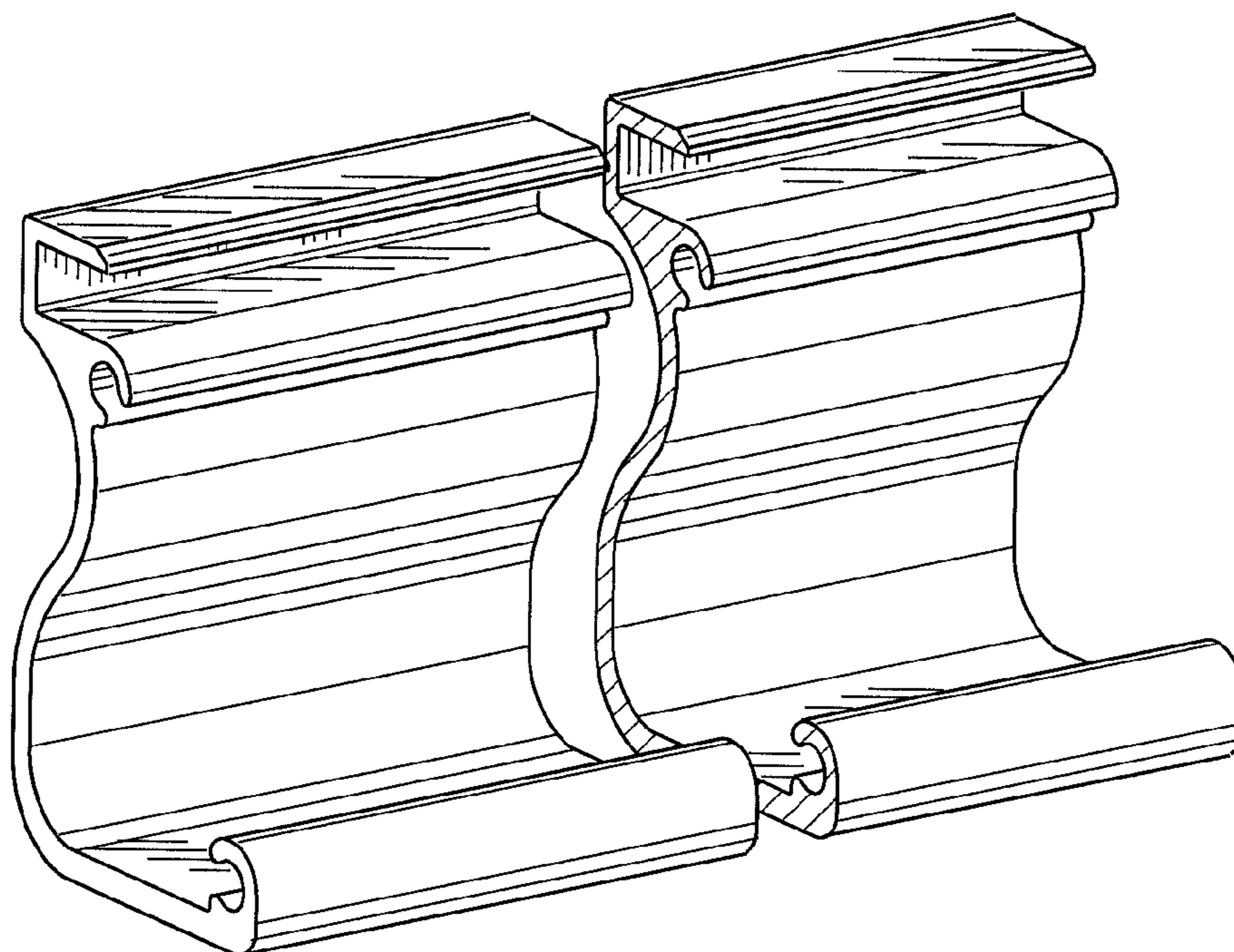


Fig. 1

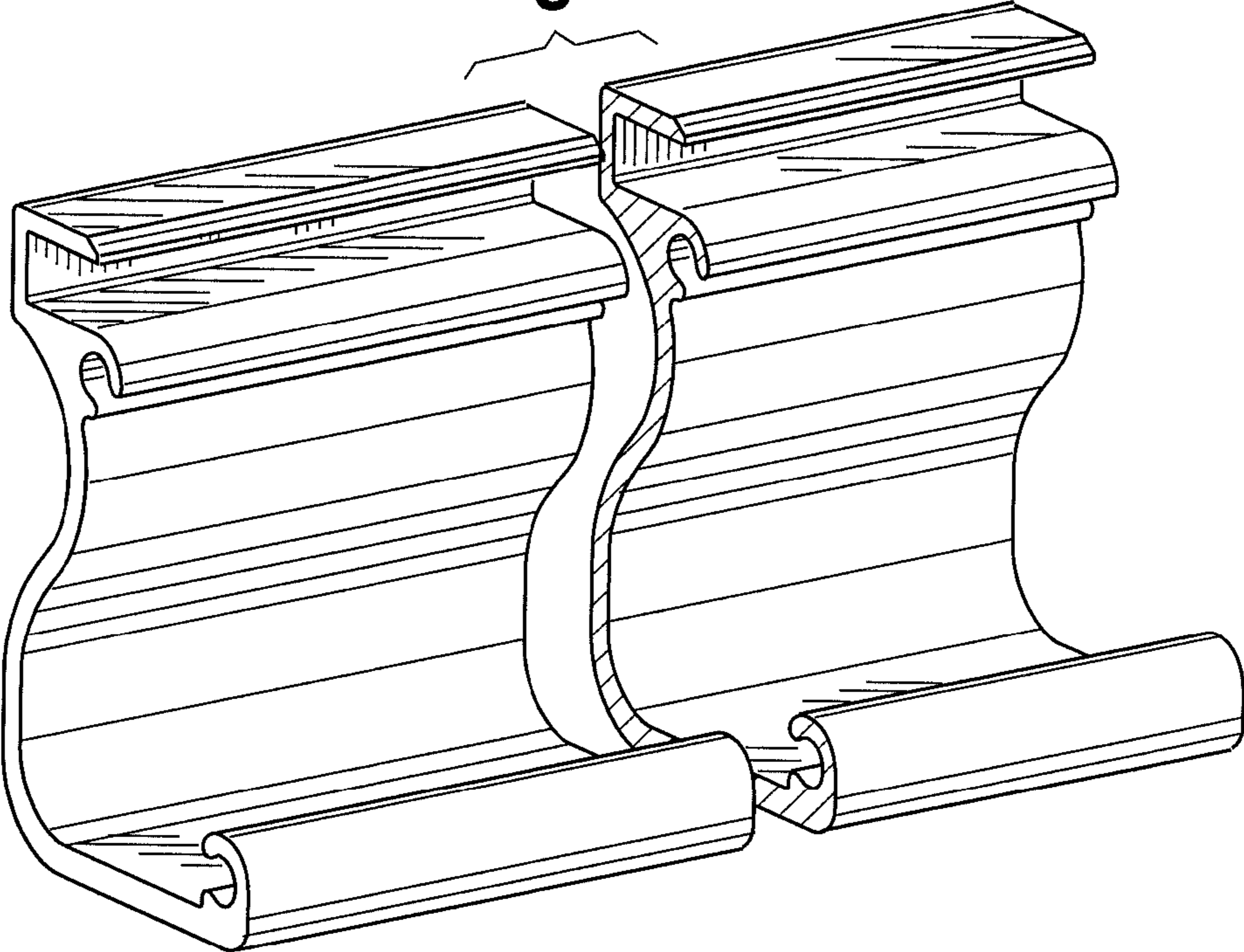


Fig. 2

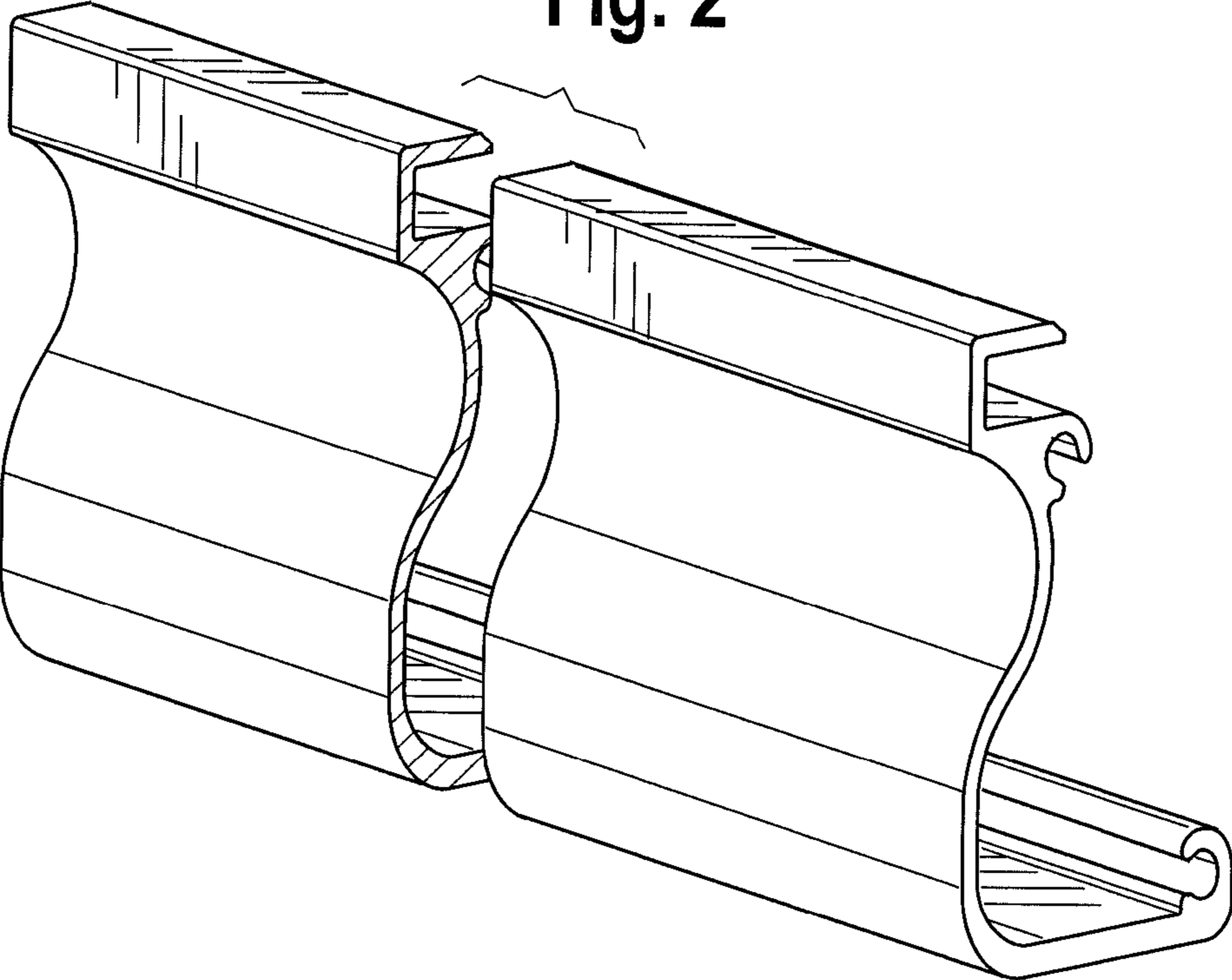


Fig. 6

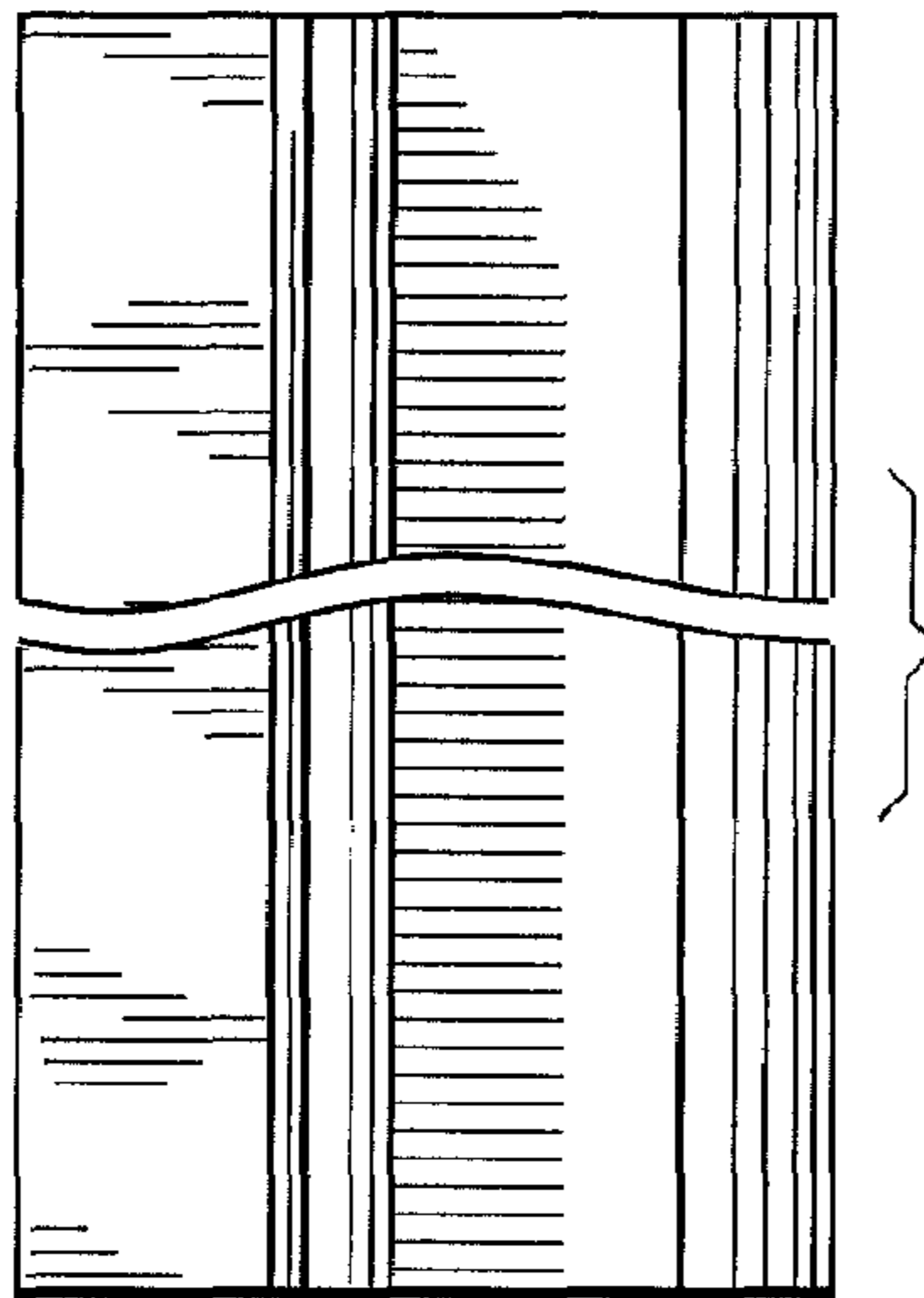


Fig. 4

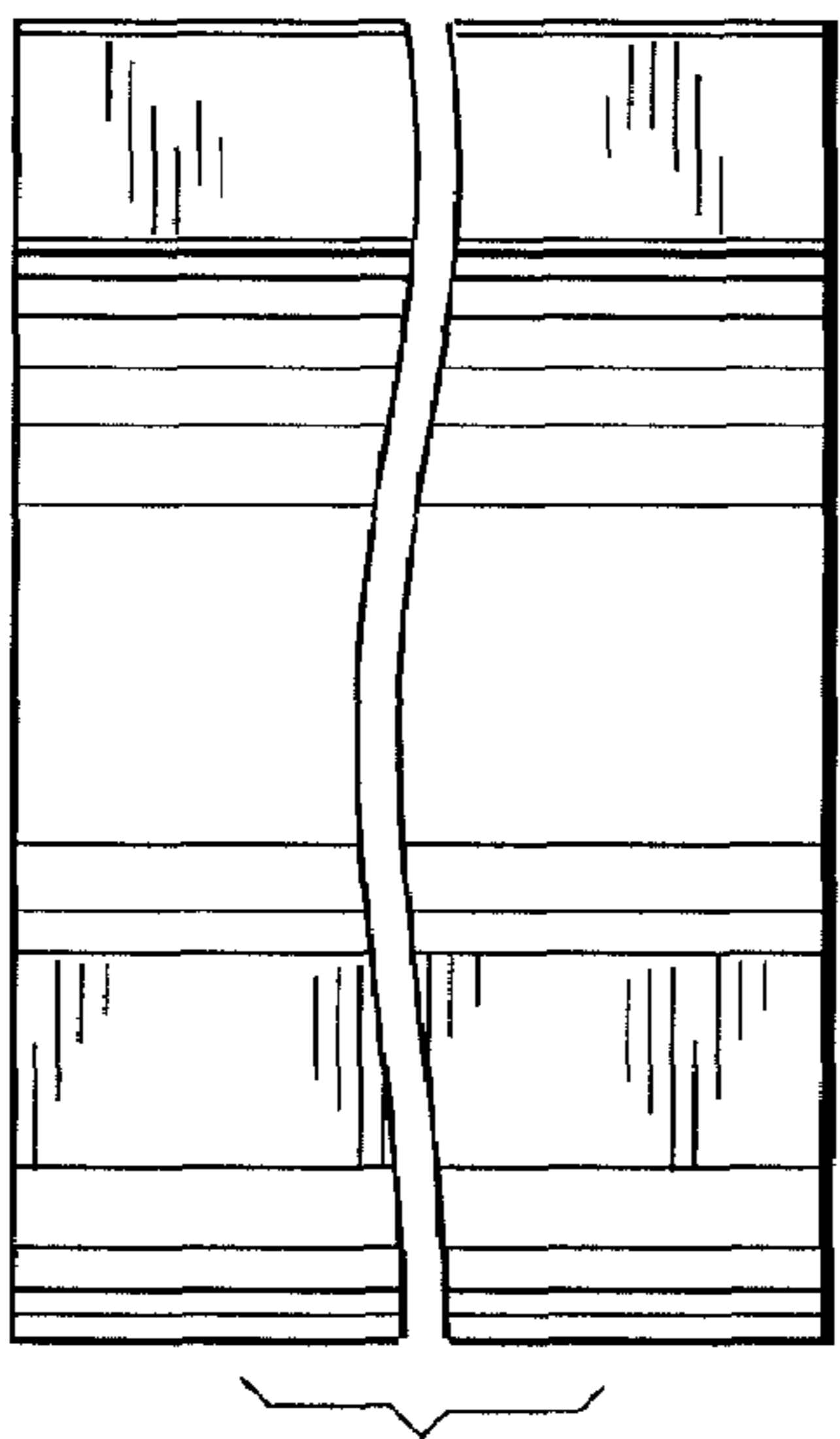


Fig. 5

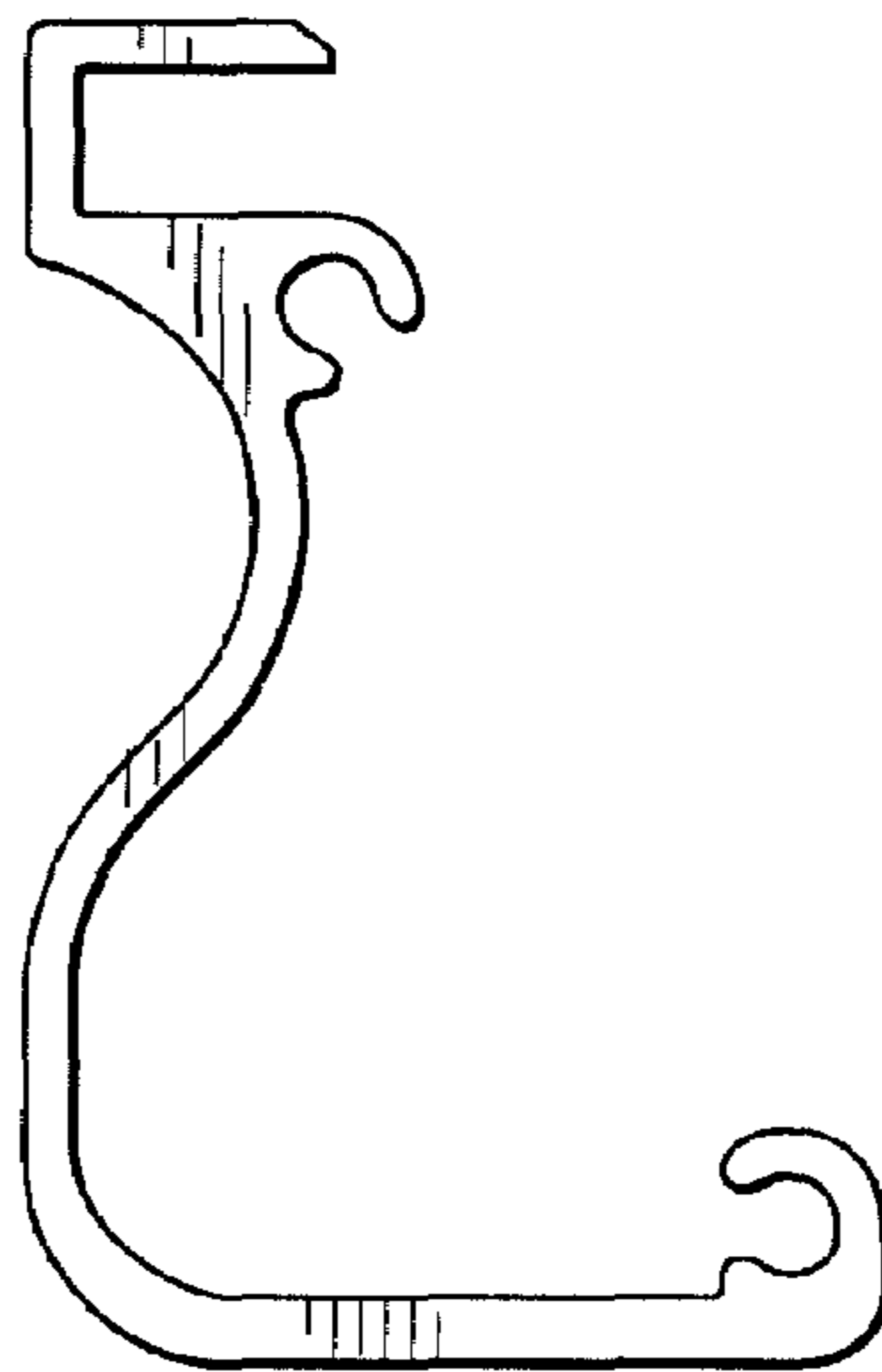


Fig. 3

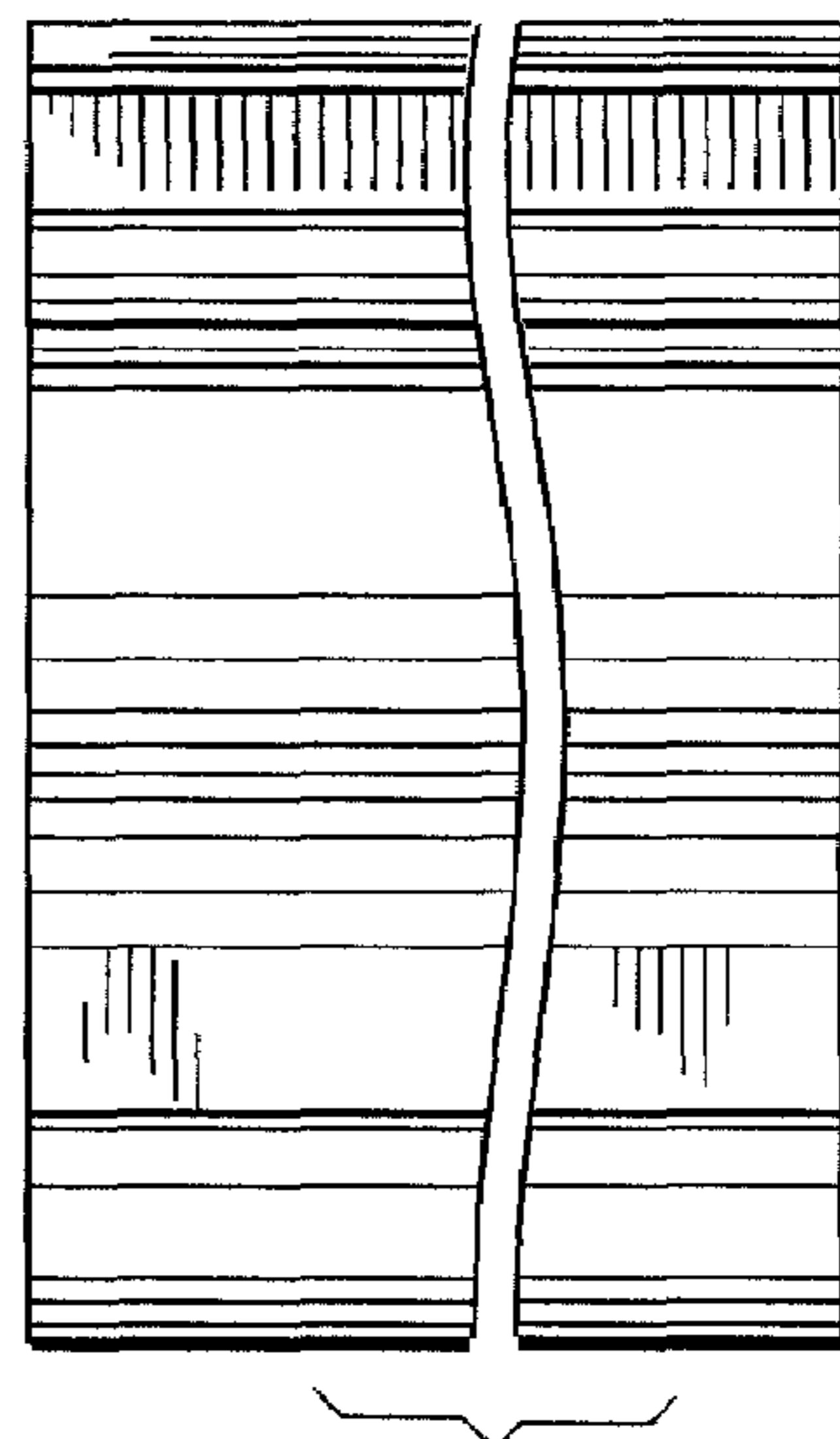


Fig. 7

