



US00D599032S

(12) **United States Design Patent**  
**Bucholtz et al.**

(10) **Patent No.:** **US D599,032 S**  
(45) **Date of Patent:** **\*\* Aug. 25, 2009**

(54) **VIAL**

(75) Inventors: **Michael Bucholtz**, Balston Spa, NY (US); **Ronald Supranowicz**, Lenox, MA (US); **John Belfance**, Amsterdam, NY (US)

(73) Assignee: **CSP Technologies, Inc.**, Norristown, PA (US)

(\*\*) Term: **14 Years**

(21) Appl. No.: **29/318,272**

(22) Filed: **May 16, 2008**

(51) **LOC (9) Cl.** ..... **24-01**

(52) **U.S. Cl.** ..... **D24/224**

(58) **Field of Classification Search** ..... D24/216–226;  
422/99, 102, 375, 780, 834, 839; D9/503,  
D9/504, 529, 530, 516, 522, 549; D3/203.1–203.8;  
435/288.1, 304.1; 436/810

See application file for complete search history.

(56) **References Cited**

**U.S. PATENT DOCUMENTS**

D444,067 S *	6/2001	Goettner	.....	D9/525
6,761,283 B1 *	7/2004	Gilliam et al.	.....	220/837
D540,188 S *	4/2007	Karussi et al.	.....	D9/734
D541,426 S *	4/2007	Sato et al.	.....	D24/224
D555,490 S *	11/2007	Liu	.....	D9/549
D573,474 S *	7/2008	Beam et al.	.....	D9/529
D587,587 S *	3/2009	Schwartz et al.	.....	D9/529

\* cited by examiner

*Primary Examiner*—T. Chase Nelson

*Assistant Examiner*—Anhdao Doan

(74) *Attorney, Agent, or Firm*—McAndrews, Held & Malloy, Ltd.

(57) **CLAIM**

The ornamental design for a vial, as shown and described.

**DESCRIPTION**

FIG. 1 is a front elevation view of a first embodiment of our new design for a vial with the top in a closed position;

FIG. 2 is a back elevation view thereof with the top in a closed position;

FIG. 3 is a right side elevation view thereof with the top in a closed position;

FIG. 4 is a left side elevation view thereof with the top in a closed position;

FIG. 5 is a top plan view thereof with the top in a closed position;

FIG. 6 is a bottom plan view thereof with the top in a closed position;

FIG. 7 is a front right top perspective view thereof with the top in a closed position;

FIG. 8 is a front right bottom perspective view thereof with the top in a closed position;

FIG. 9 is a front elevation view thereof with the top in an open position;

FIG. 10 is a back elevation view thereof with the top in an open position;

FIG. 11 is a top plan view thereof with the top in an open position;

FIG. 12 is a bottom plan view thereof with the top in an open position;

FIG. 13 is a right side elevation view thereof with the top in an open position, the left side elevation view being a mirror image thereof;

FIG. 14 is a front right top perspective view thereof with the top in an open position and shown with the unclaimed environment;

FIG. 15 is a front left top perspective view thereof with the top in an open position;

FIG. 16 is a back right top perspective view thereof with the top in an open position;

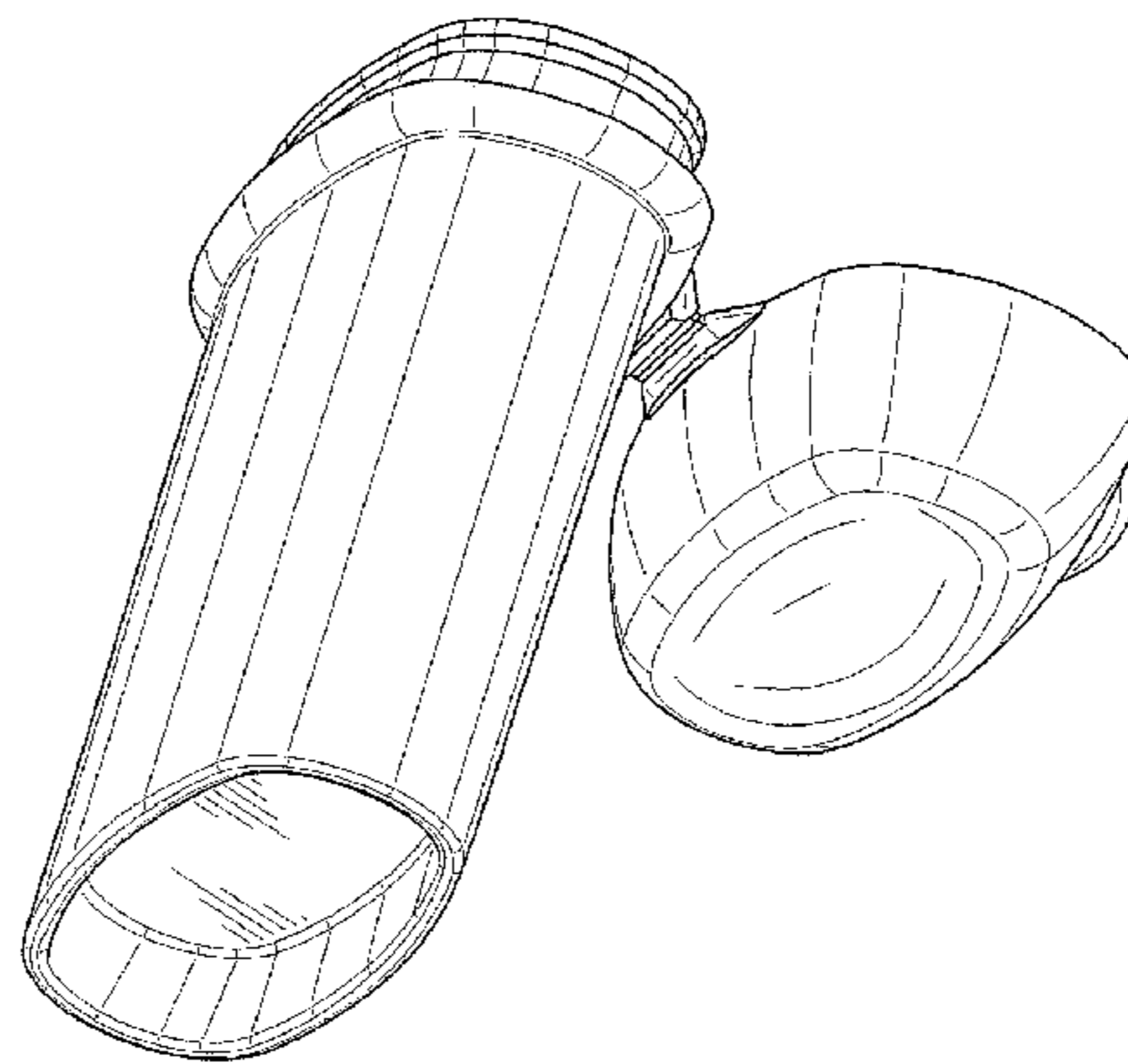
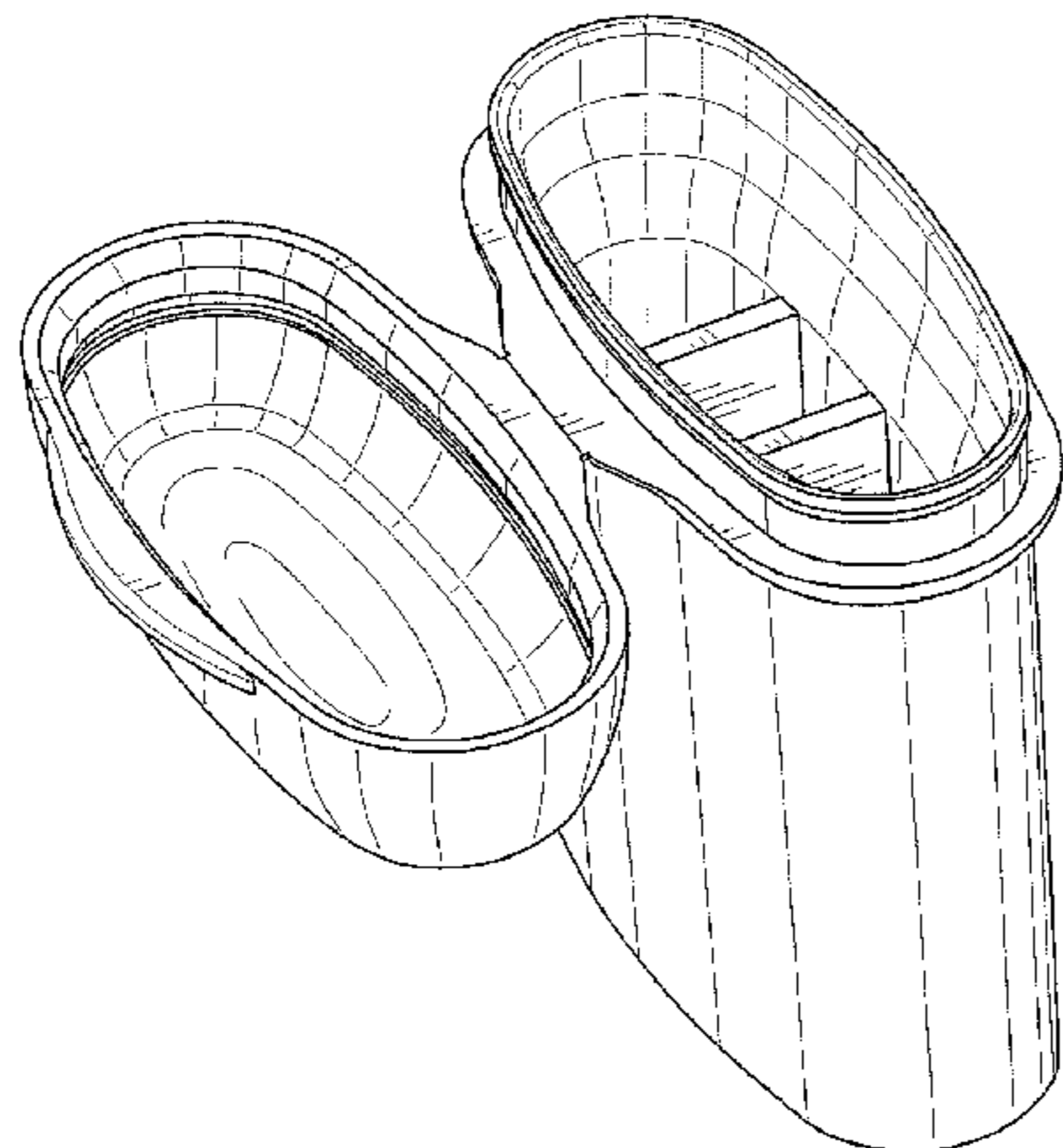


FIG. 17 is a back left top perspective view thereof with the top in an open position;

FIG. 18 is a front right bottom perspective view thereof with the top in an open position;

FIG. 19 is a back right bottom perspective view thereof with the top in an open position;

FIG. 20 is a cross-sectional view thereof taken along line 20—20 in FIG. 15;

FIG. 21 is a cross-sectional view thereof taken along line 21—21 in FIG. 15;

FIG. 22 is a front right bottom perspective view of a second embodiment of our new design for a vial with the top in an open position;

FIG. 23 is a back right bottom perspective view thereof with the top in an open position;

FIG. 24 is a cross-sectional view thereof taken along line 24—24 in FIG. 15;

FIG. 25 is a cross-sectional view thereof taken along line 25—25 in FIG. 15;

FIG. 26 is a top plan view of a third embodiment with the top in an open position;

FIG. 27 is a front right top perspective view thereof with the top in an open position;

FIG. 28 is a front left top perspective view thereof with the top in an open position;

FIG. 29 is a back right top perspective view thereof with the top in an open position;

FIG. 30 is a back left top perspective view thereof with the top in an open position;

FIG. 31 is a cross-sectional view thereof taken along line 31—31 in FIG. 28;

FIG. 32 is a cross-sectional view thereof taken along line 32—32 in FIG. 28;

FIG. 33 is a cross-sectional view thereof taken along line 33—33 in FIG. 28; and,

FIG. 34 is a cross-sectional view thereof taken along line 34—34 in FIG. 28.

The broken lines in the drawings represent environmental subject matter and form no part of the claimed design.

**1 Claim, 18 Drawing Sheets**

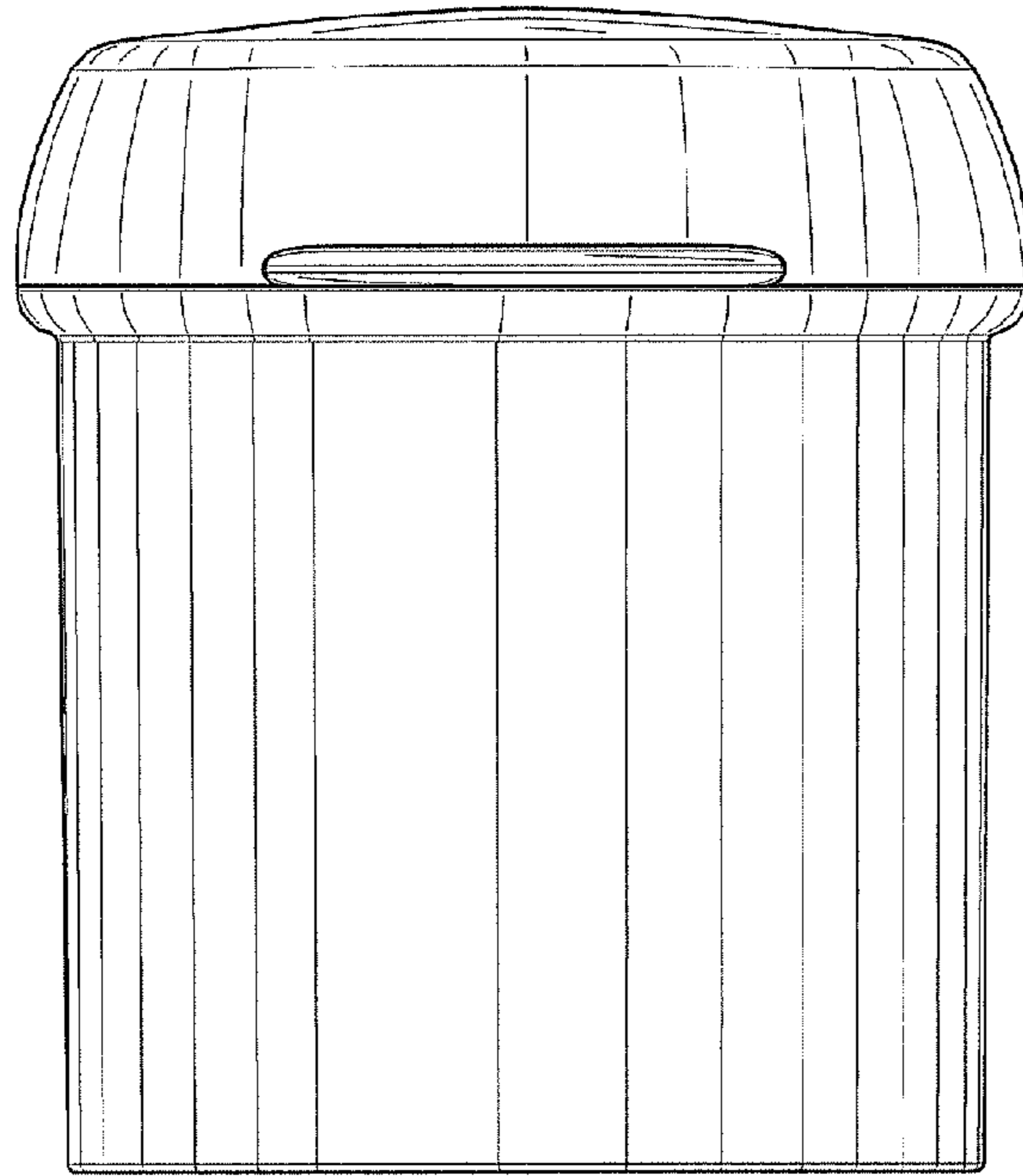


FIG. 1

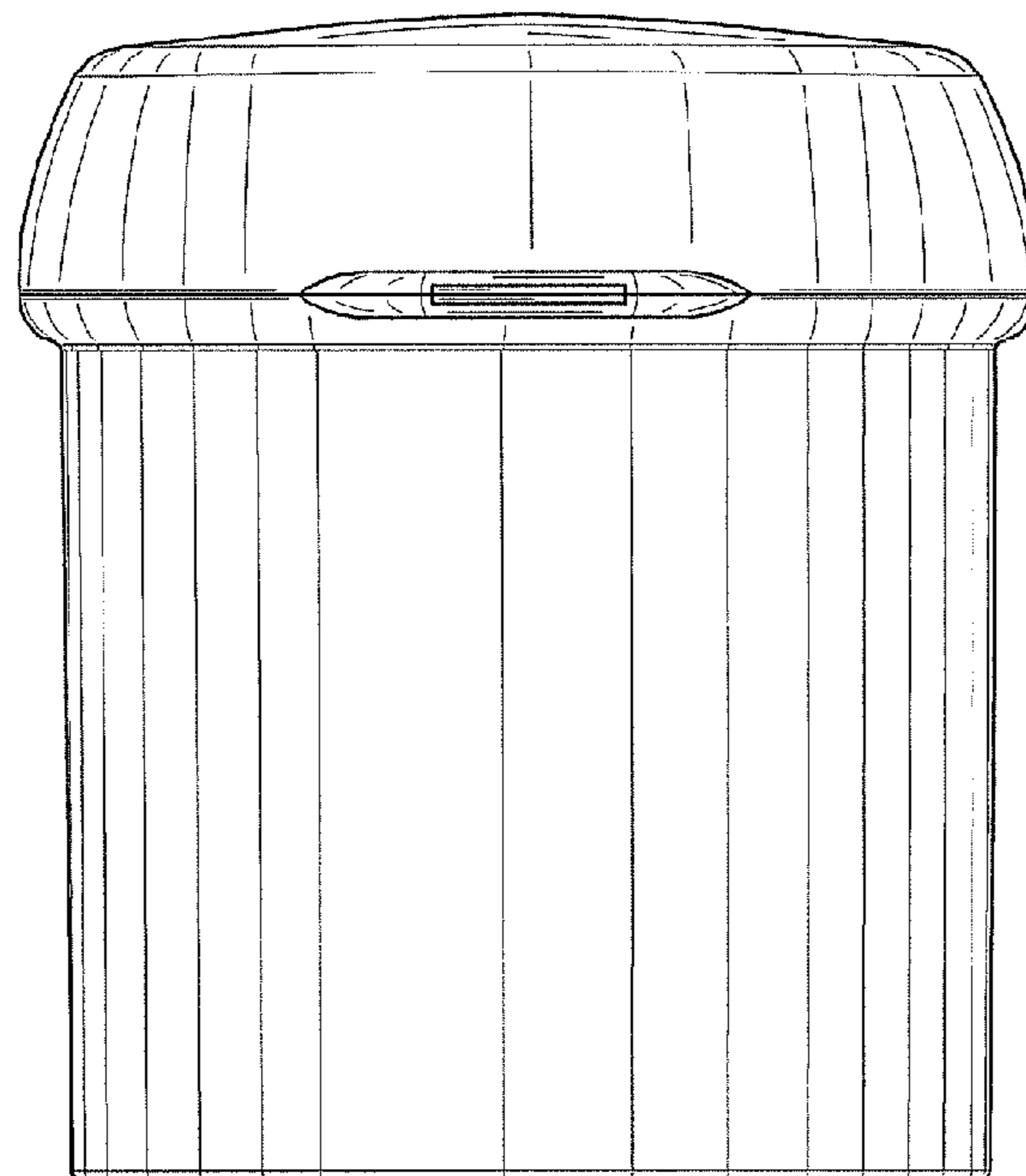


FIG. 2

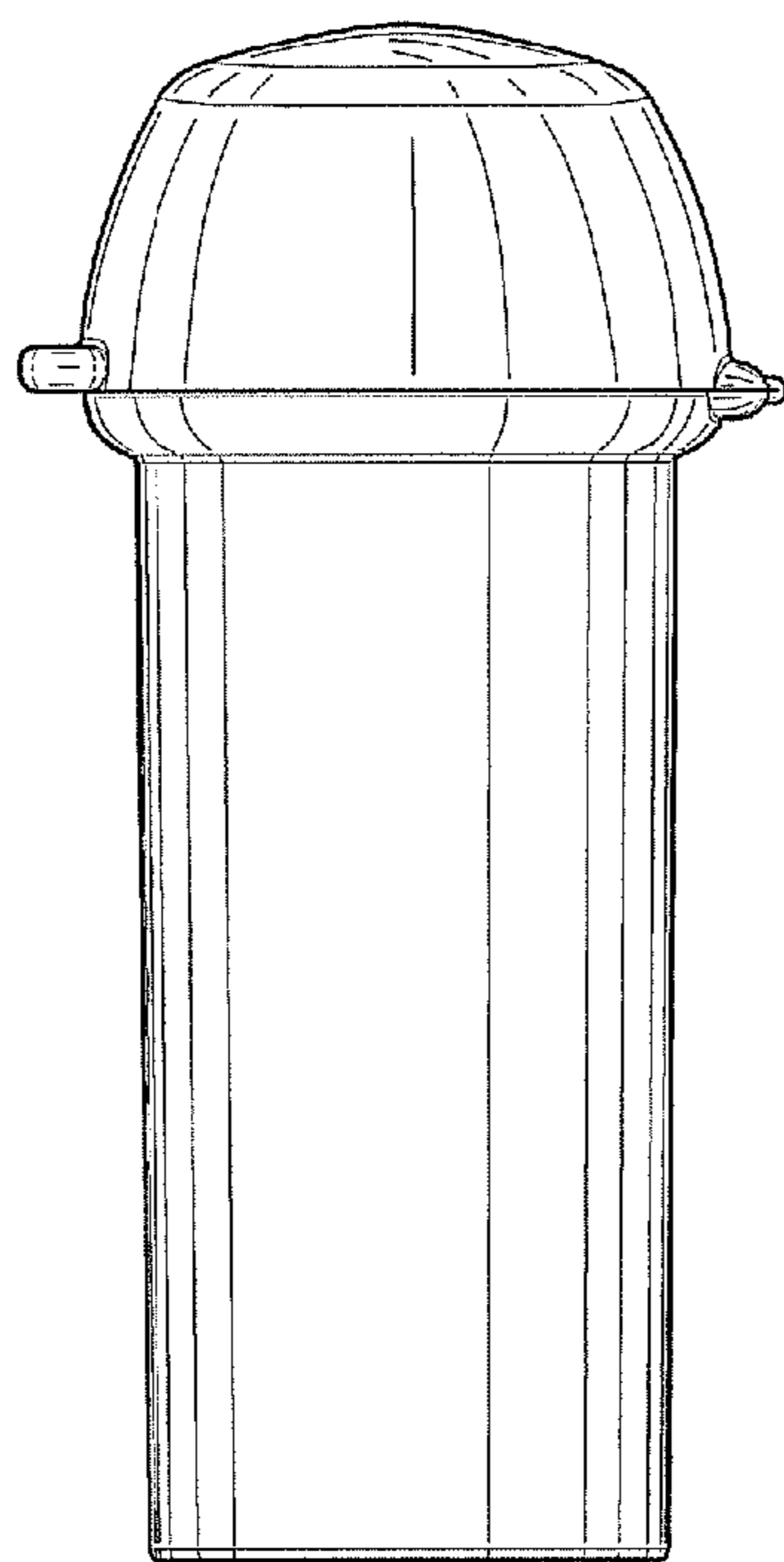


FIG. 3

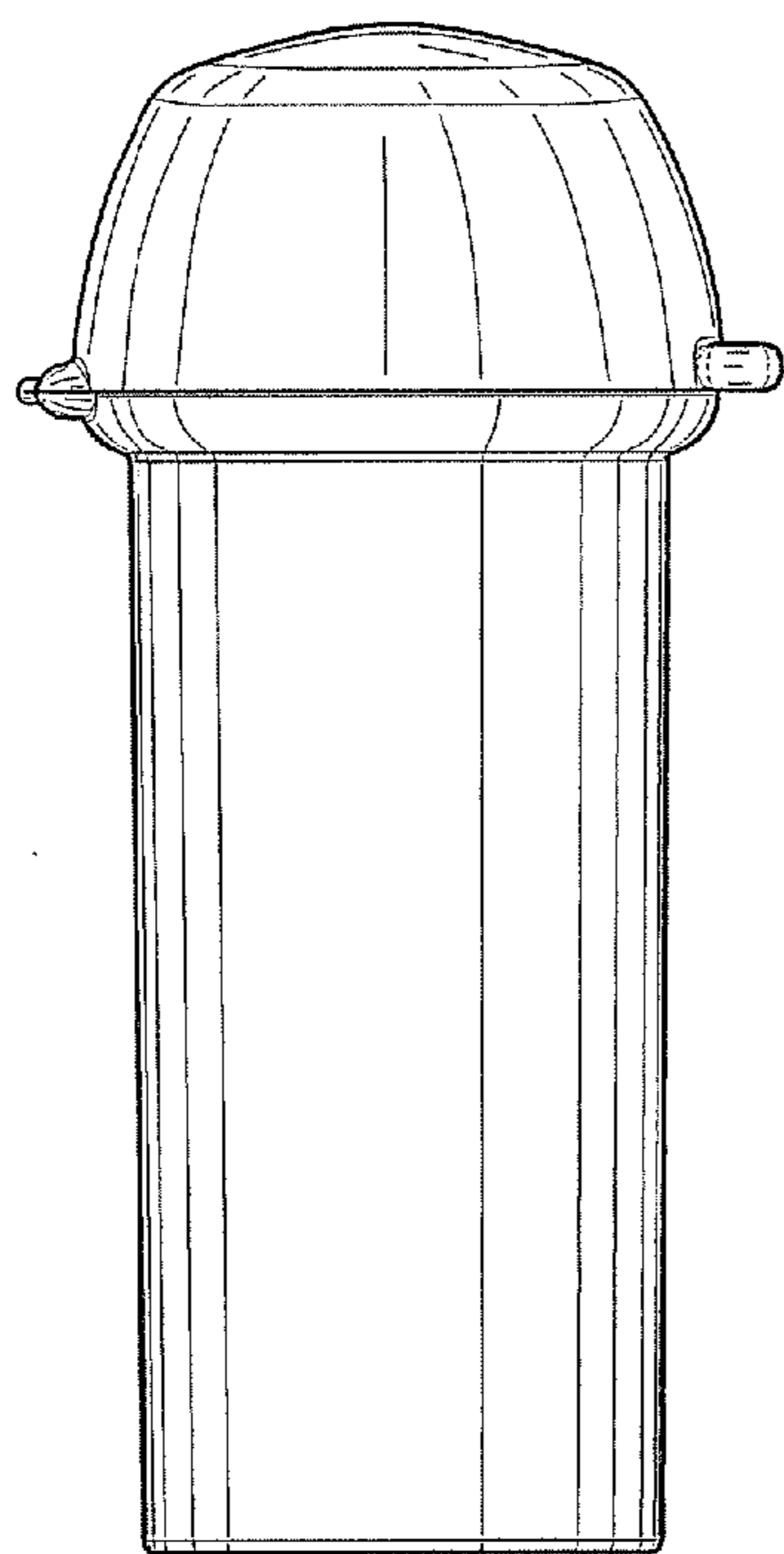


FIG. 4



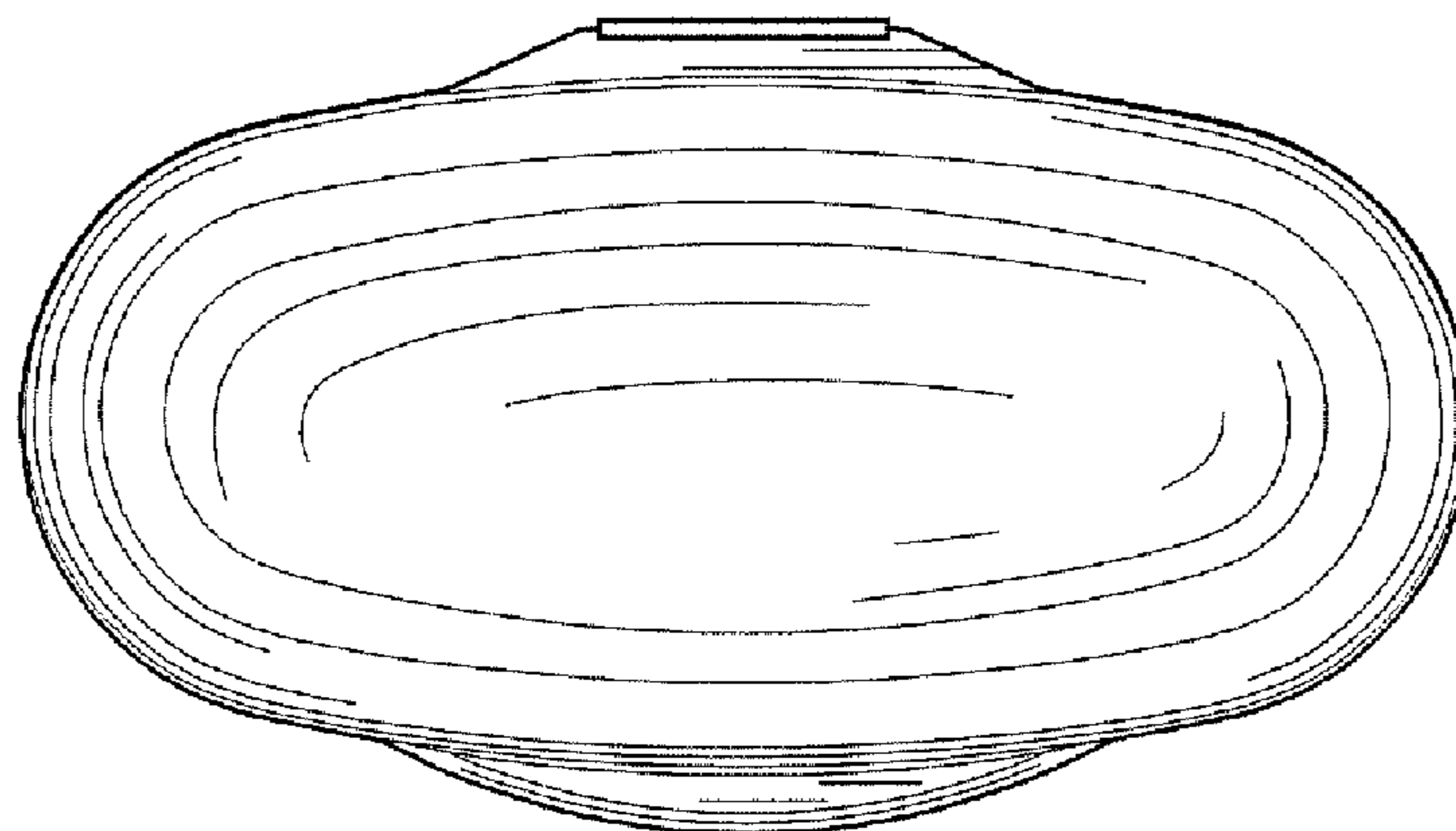


FIG. 5

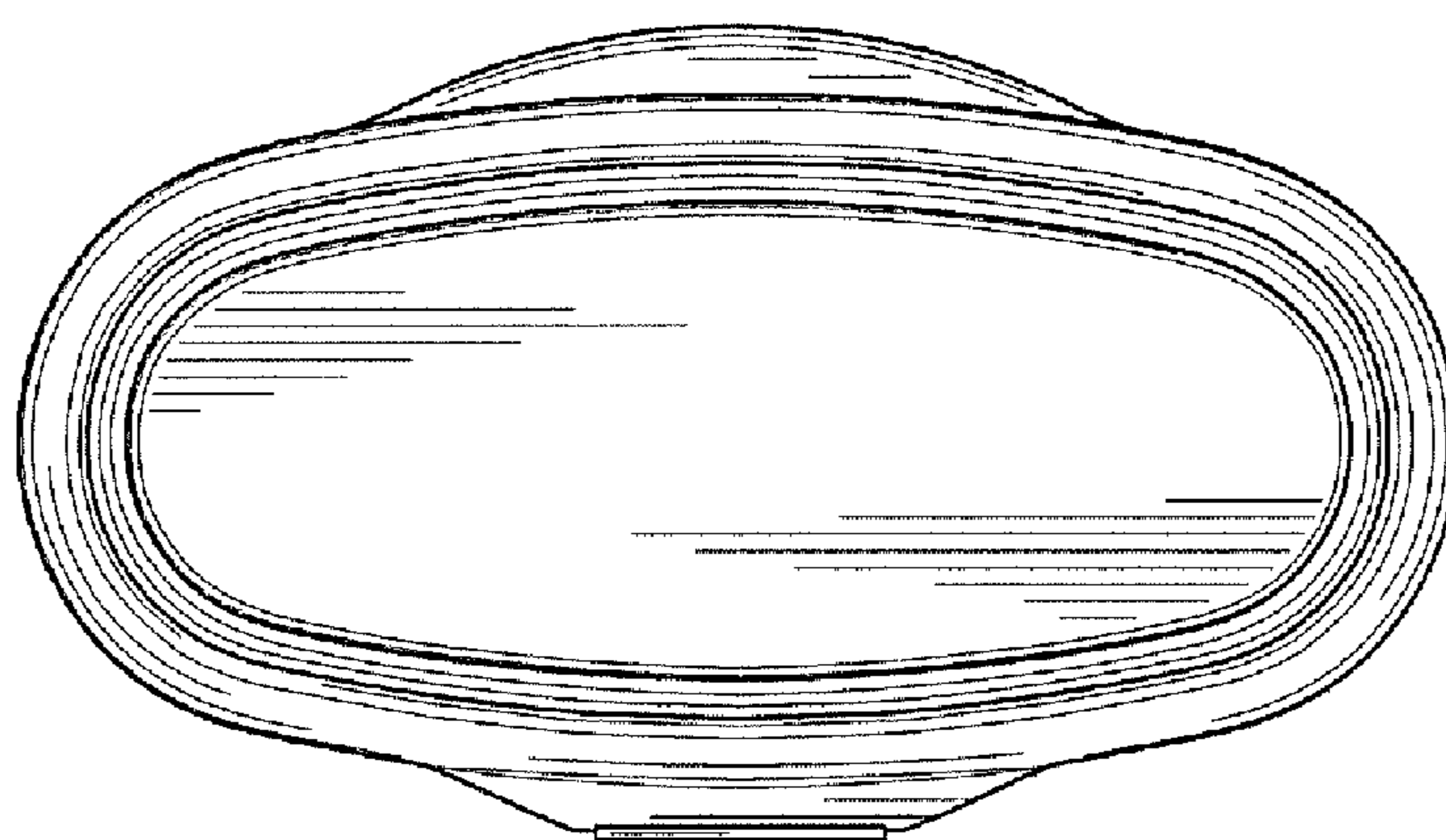


FIG. 6

FIG. 7

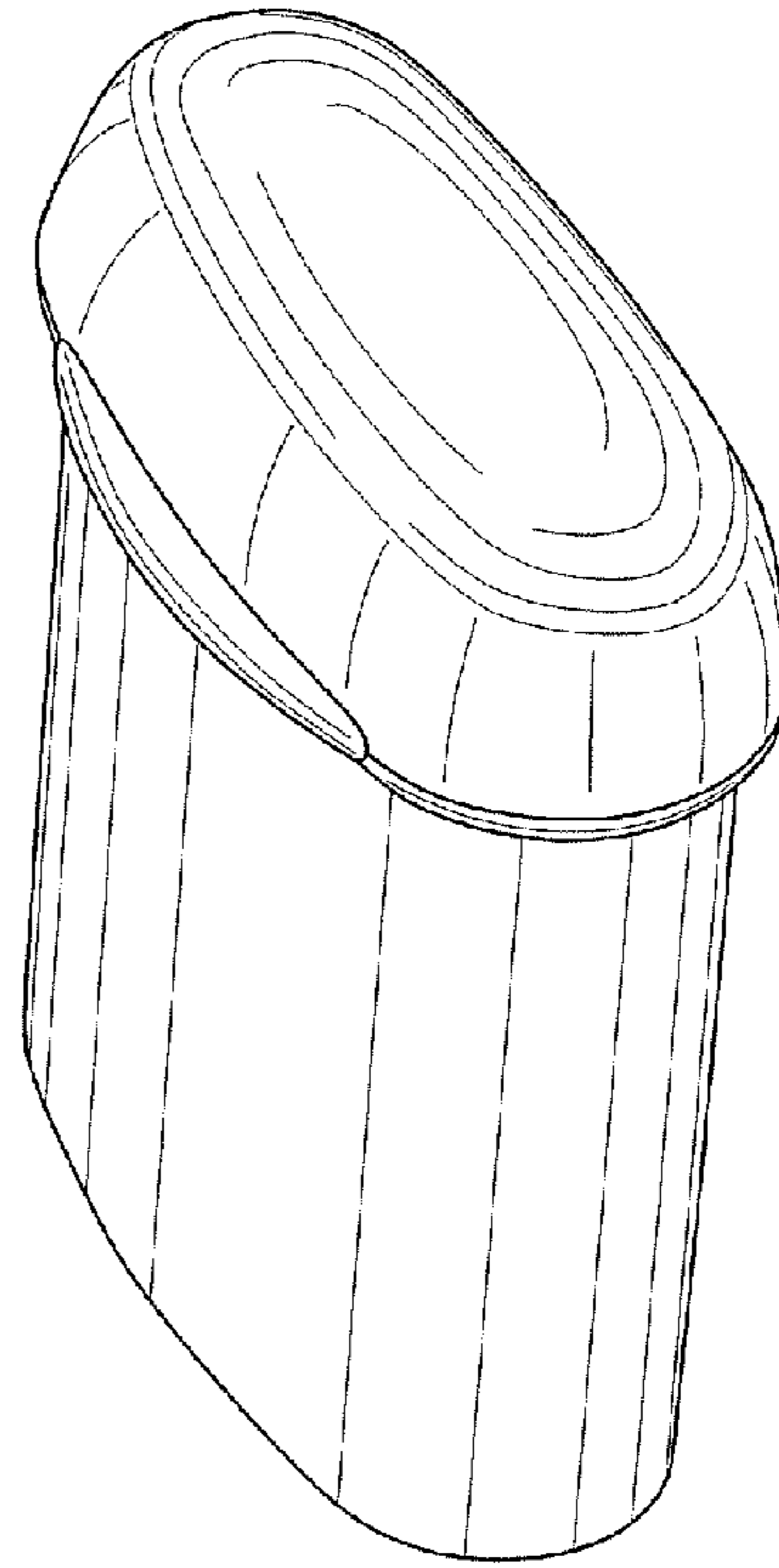
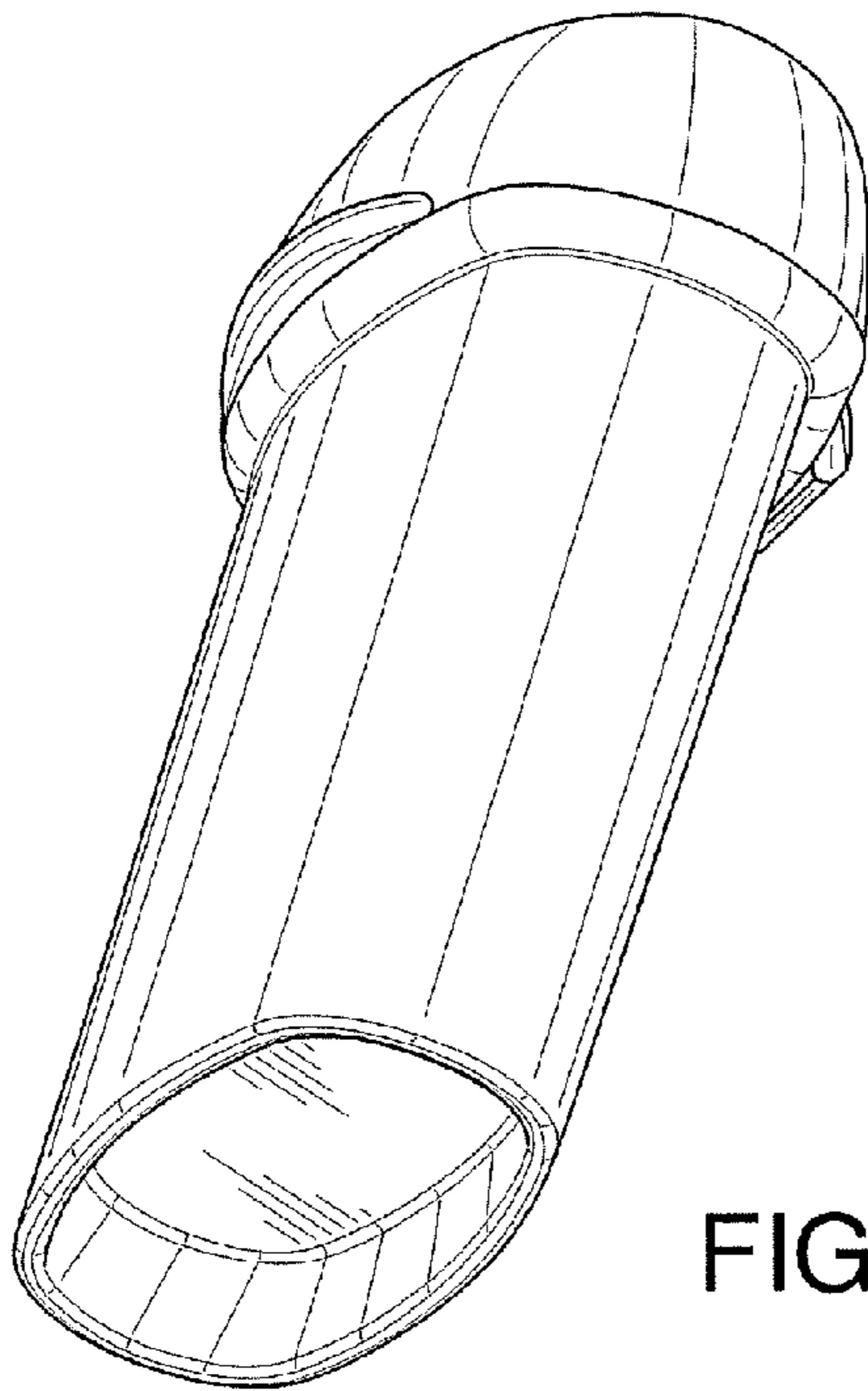


FIG. 8



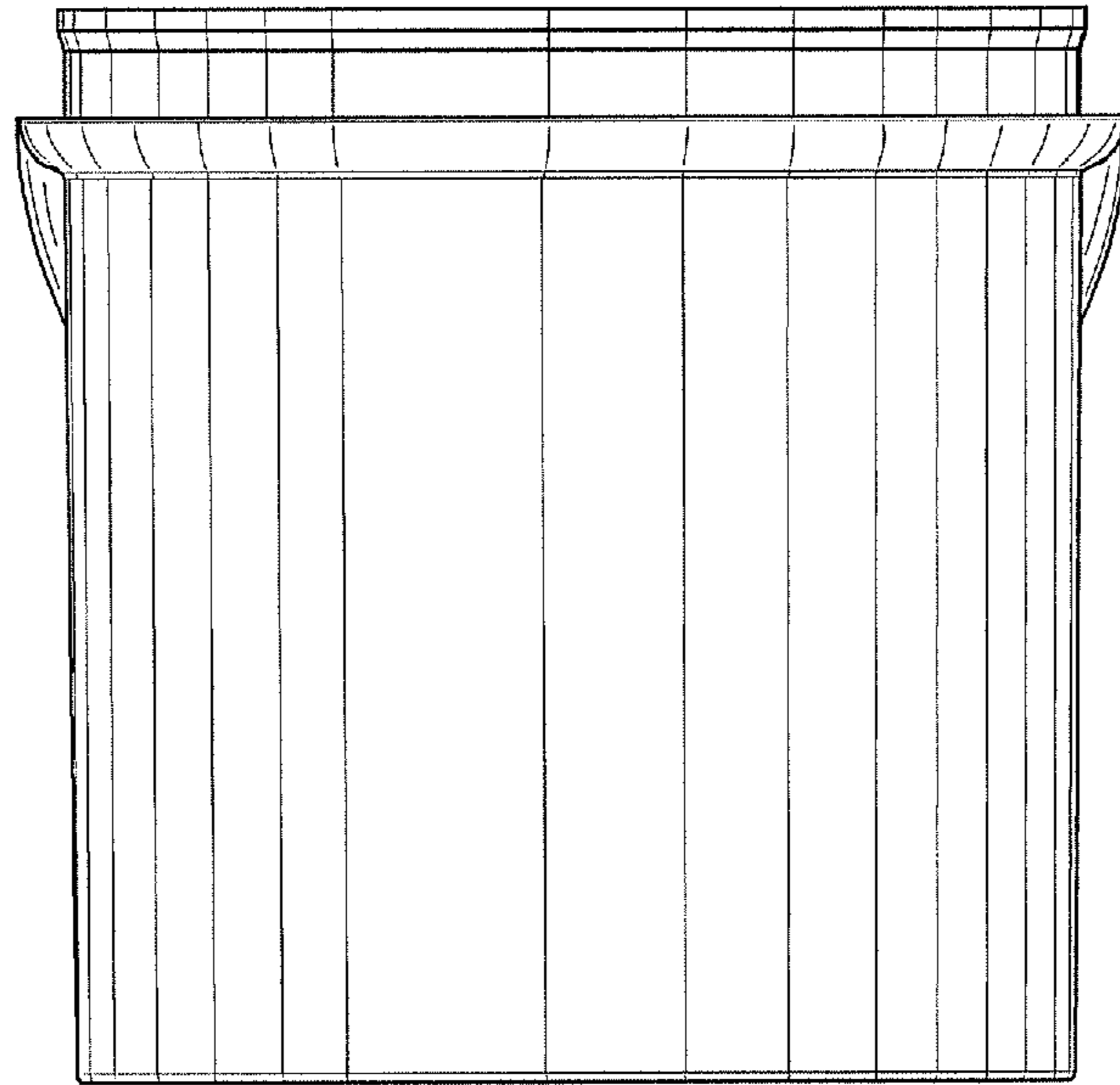


FIG. 9

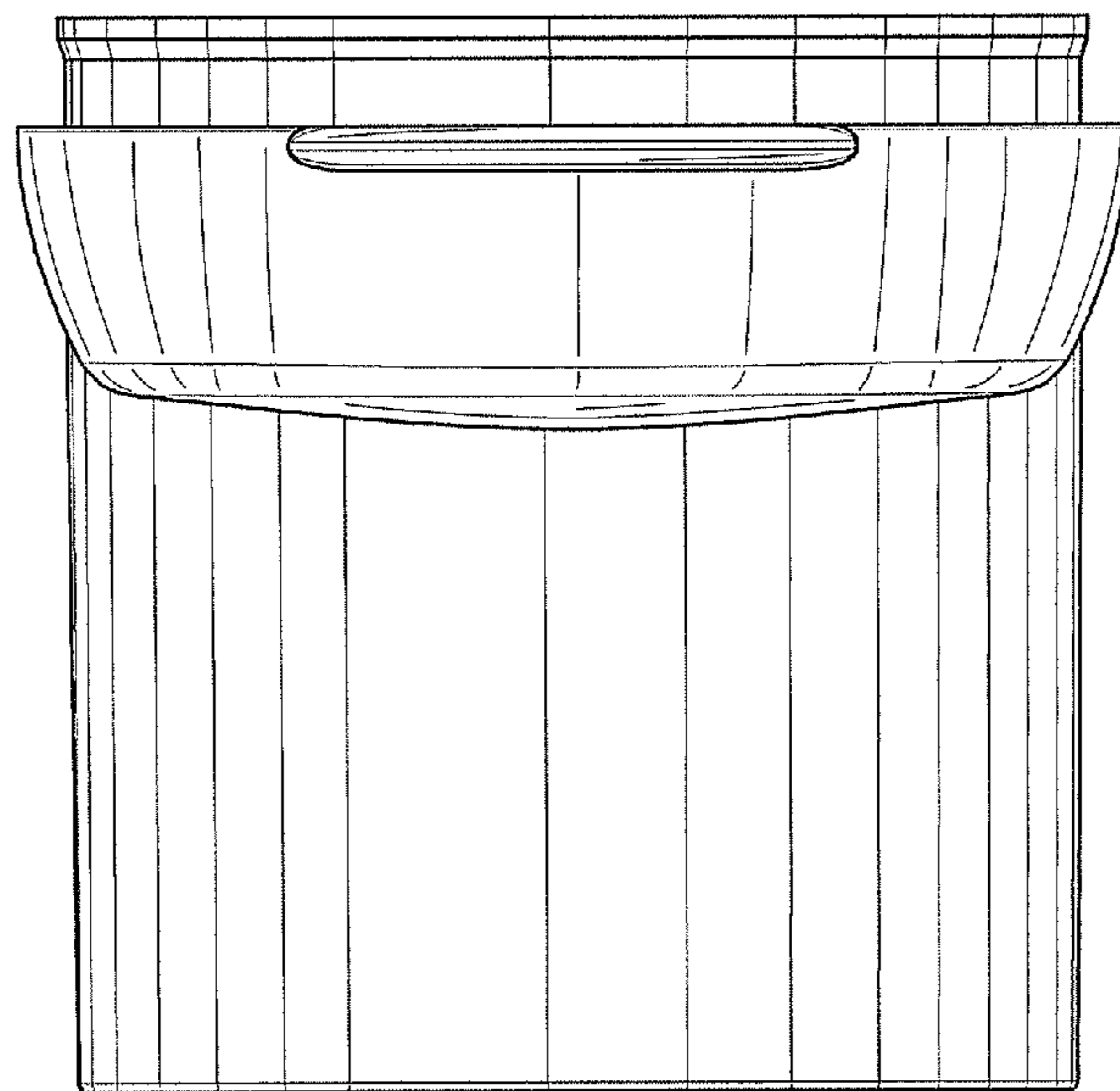


FIG. 10

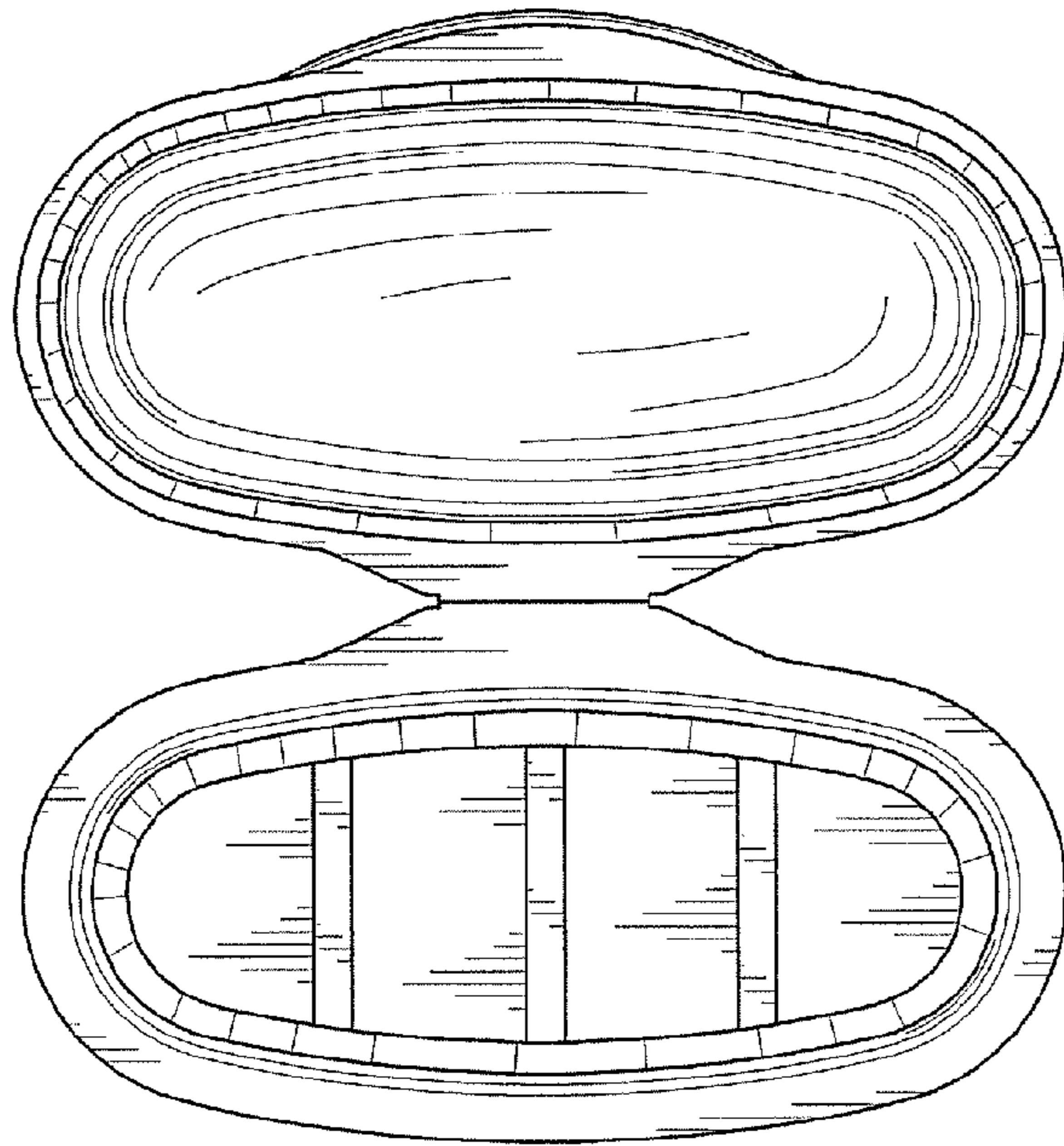


FIG. 11

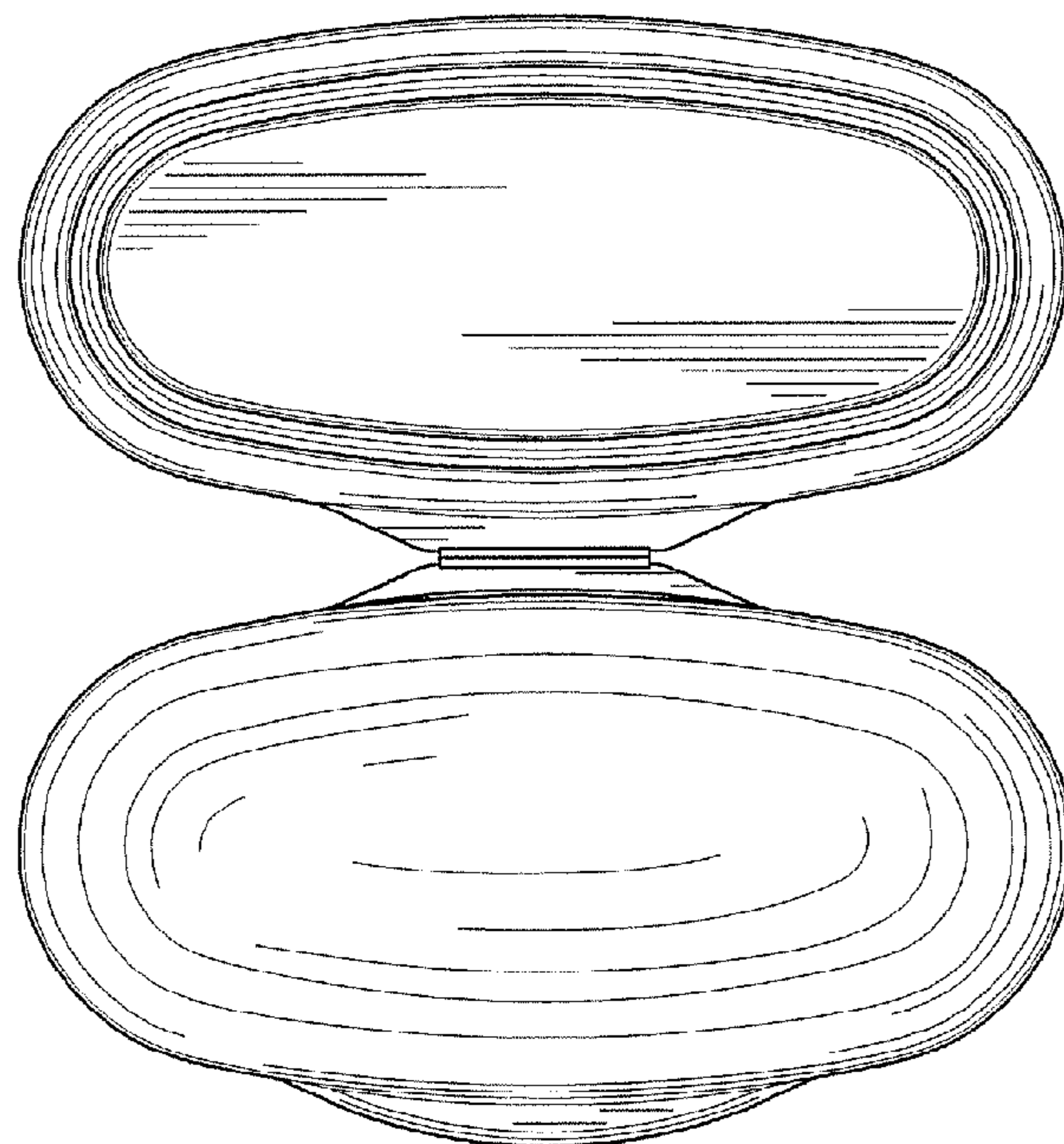


FIG. 12



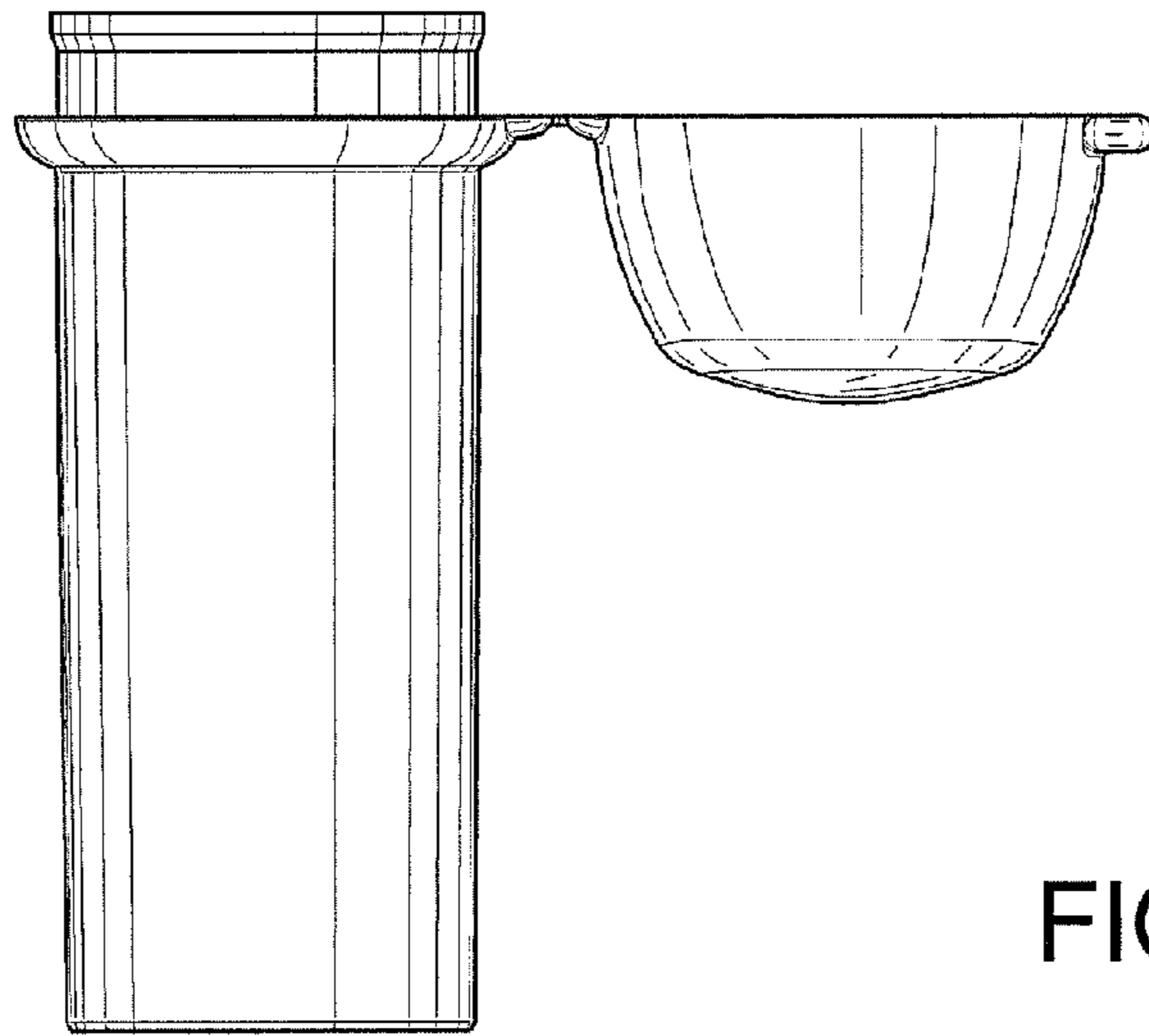


FIG. 13

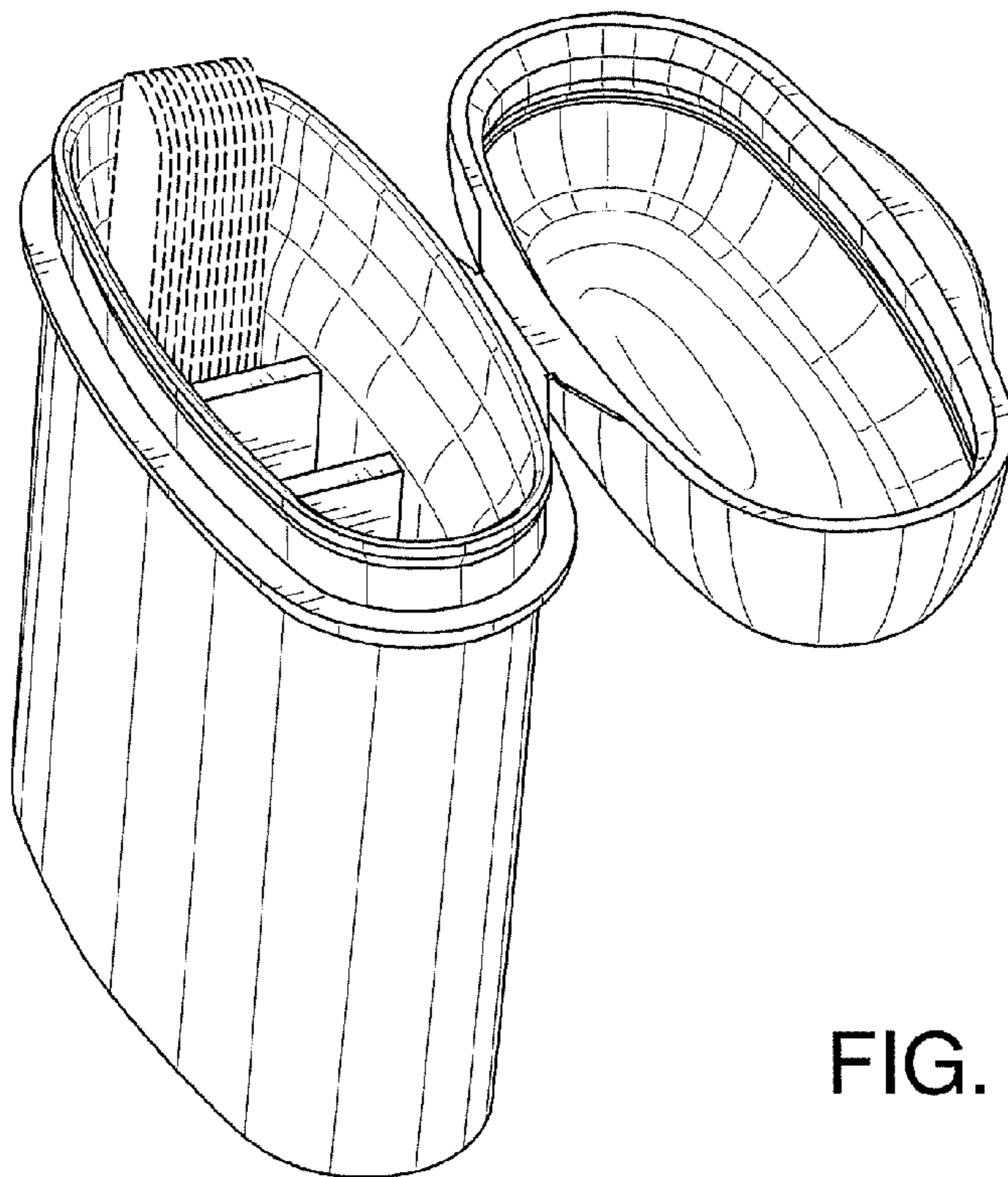


FIG. 14

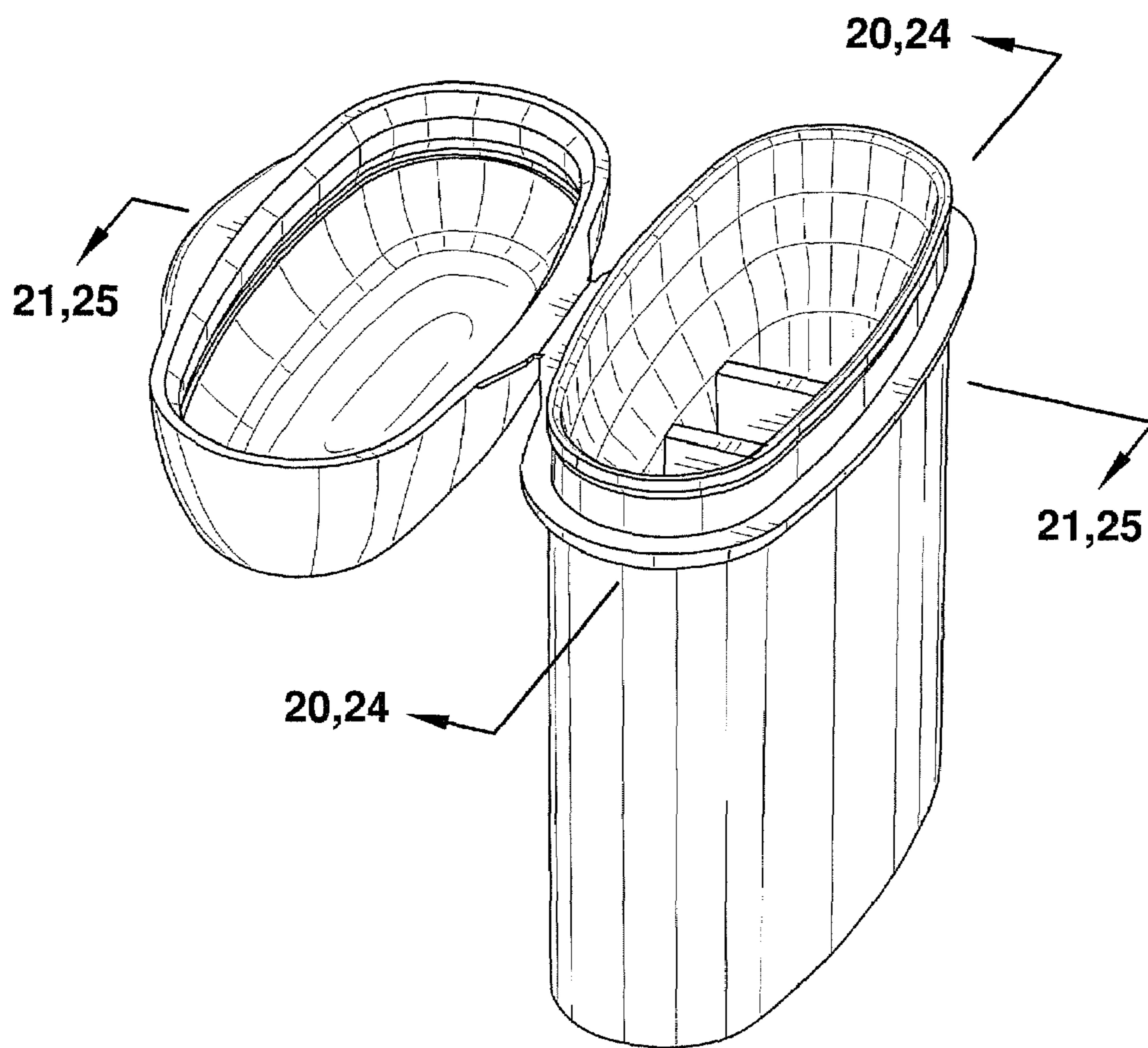


FIG. 15

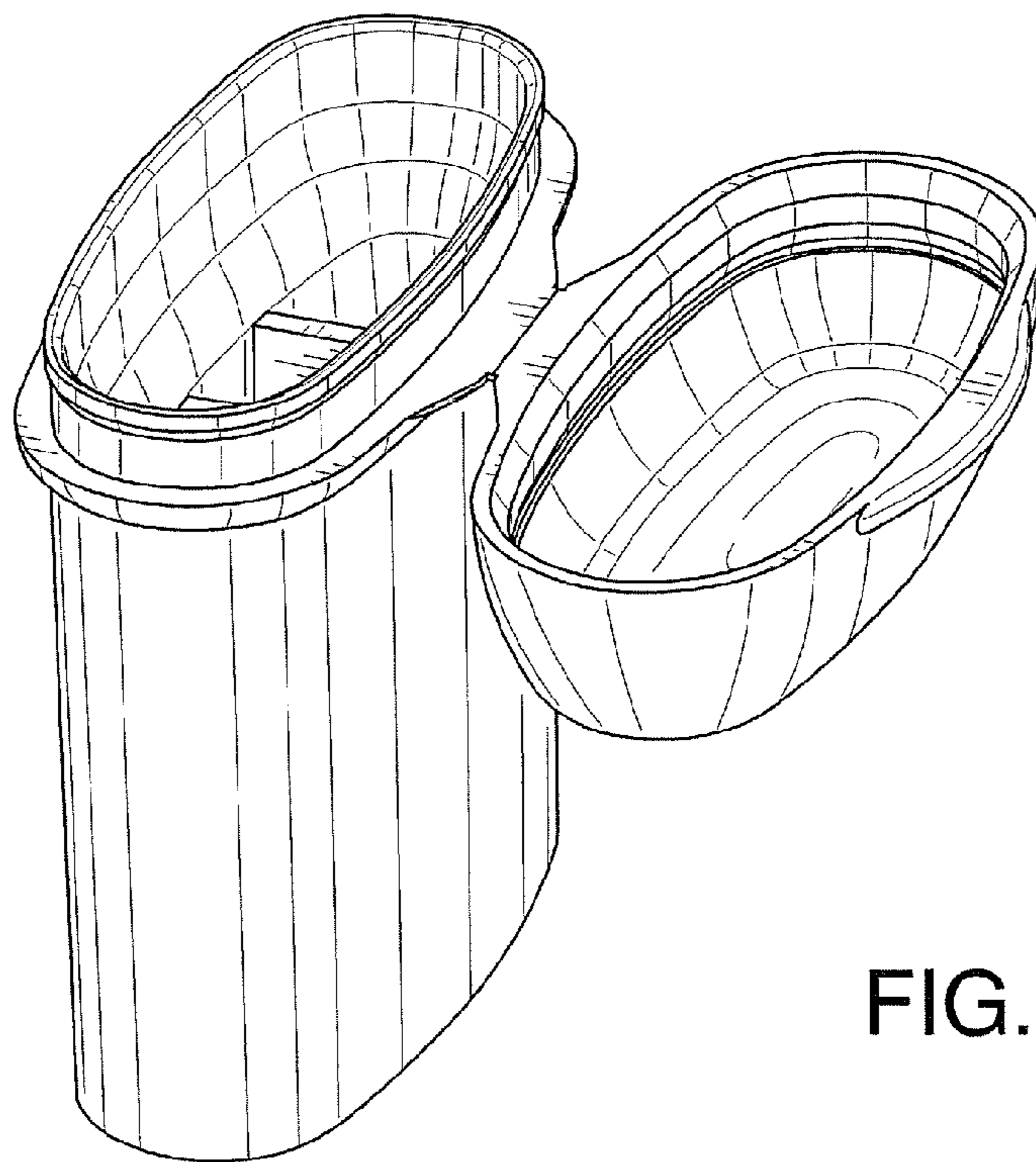


FIG. 16

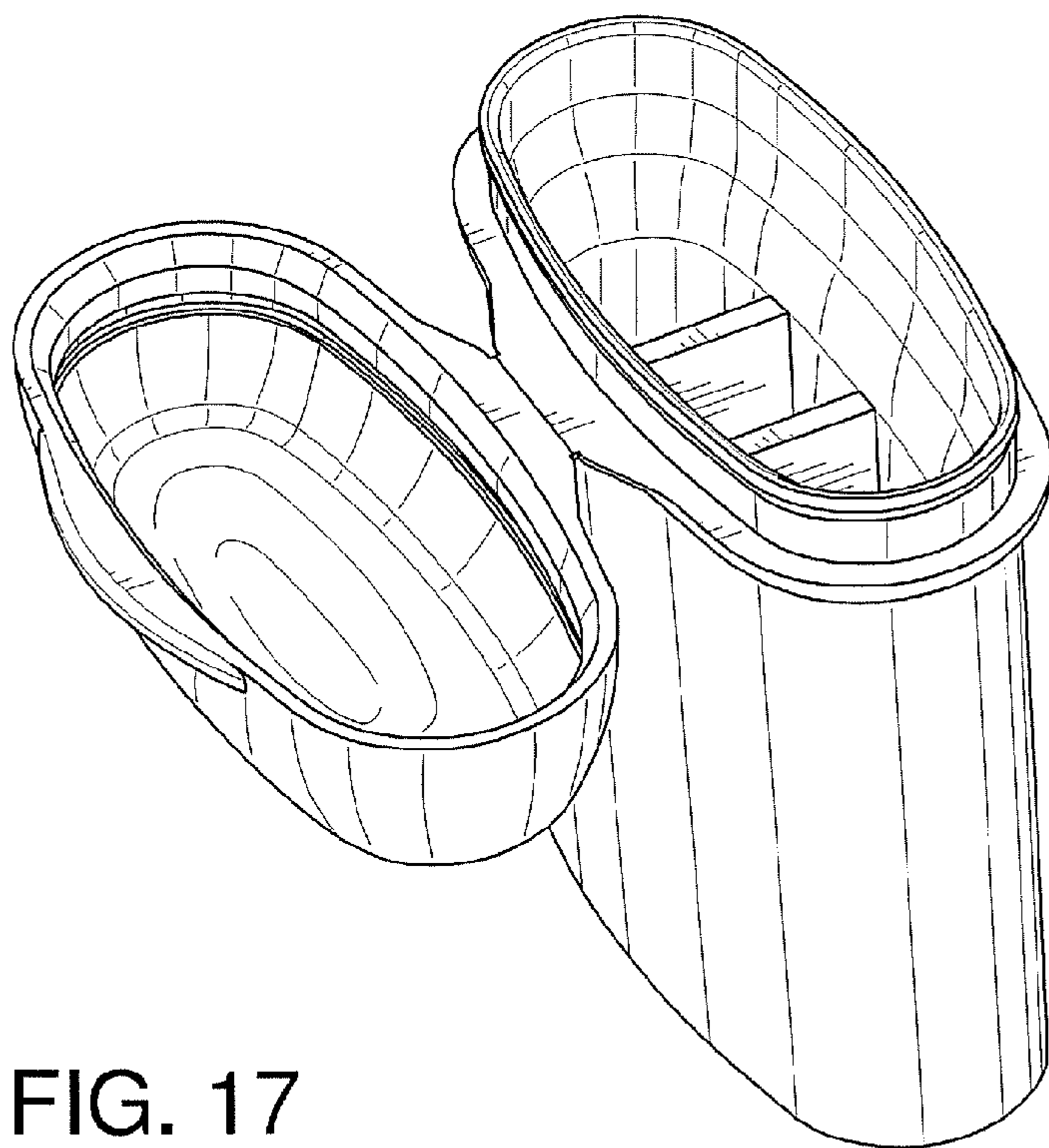


FIG. 17

FIG. 18

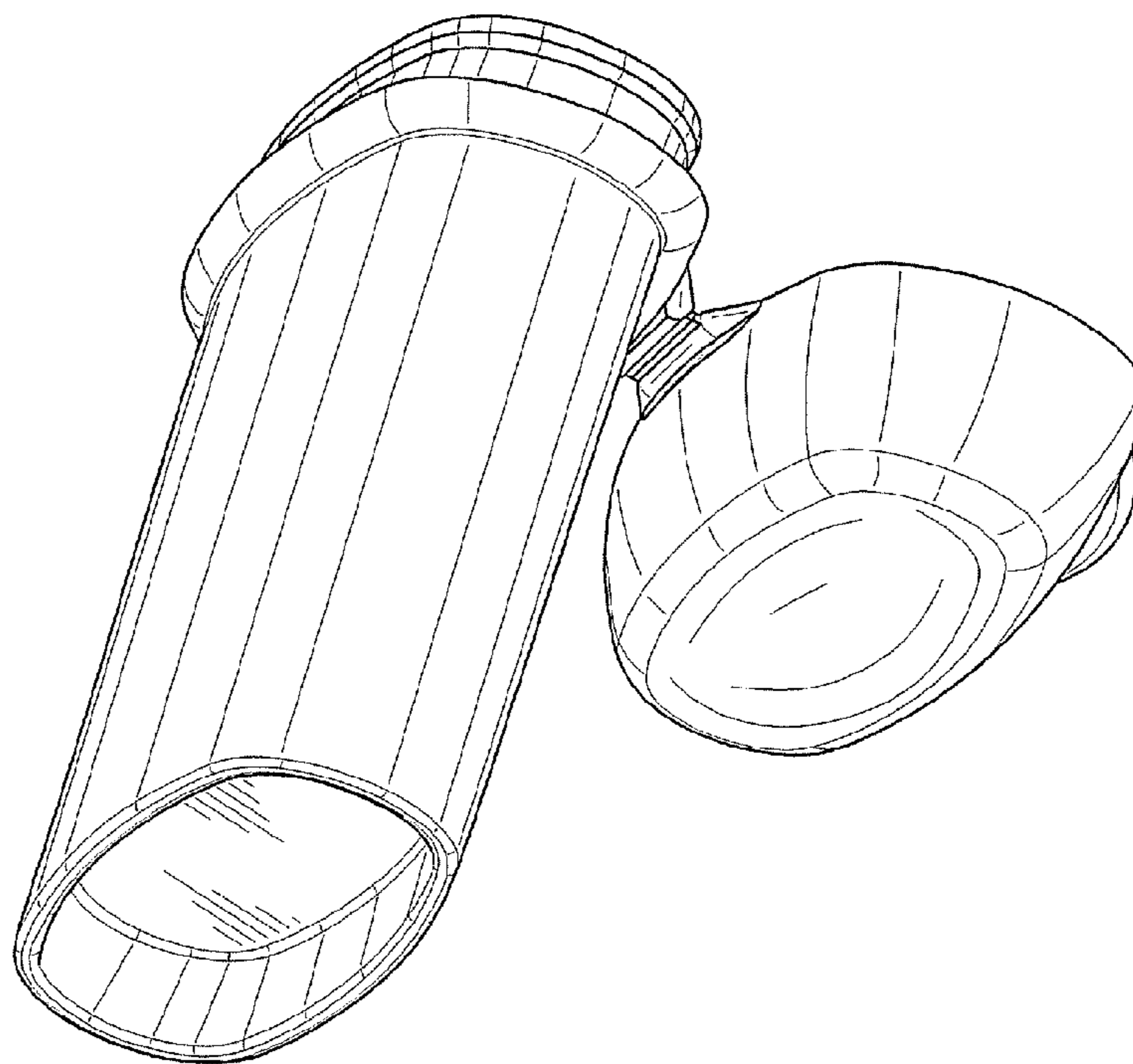
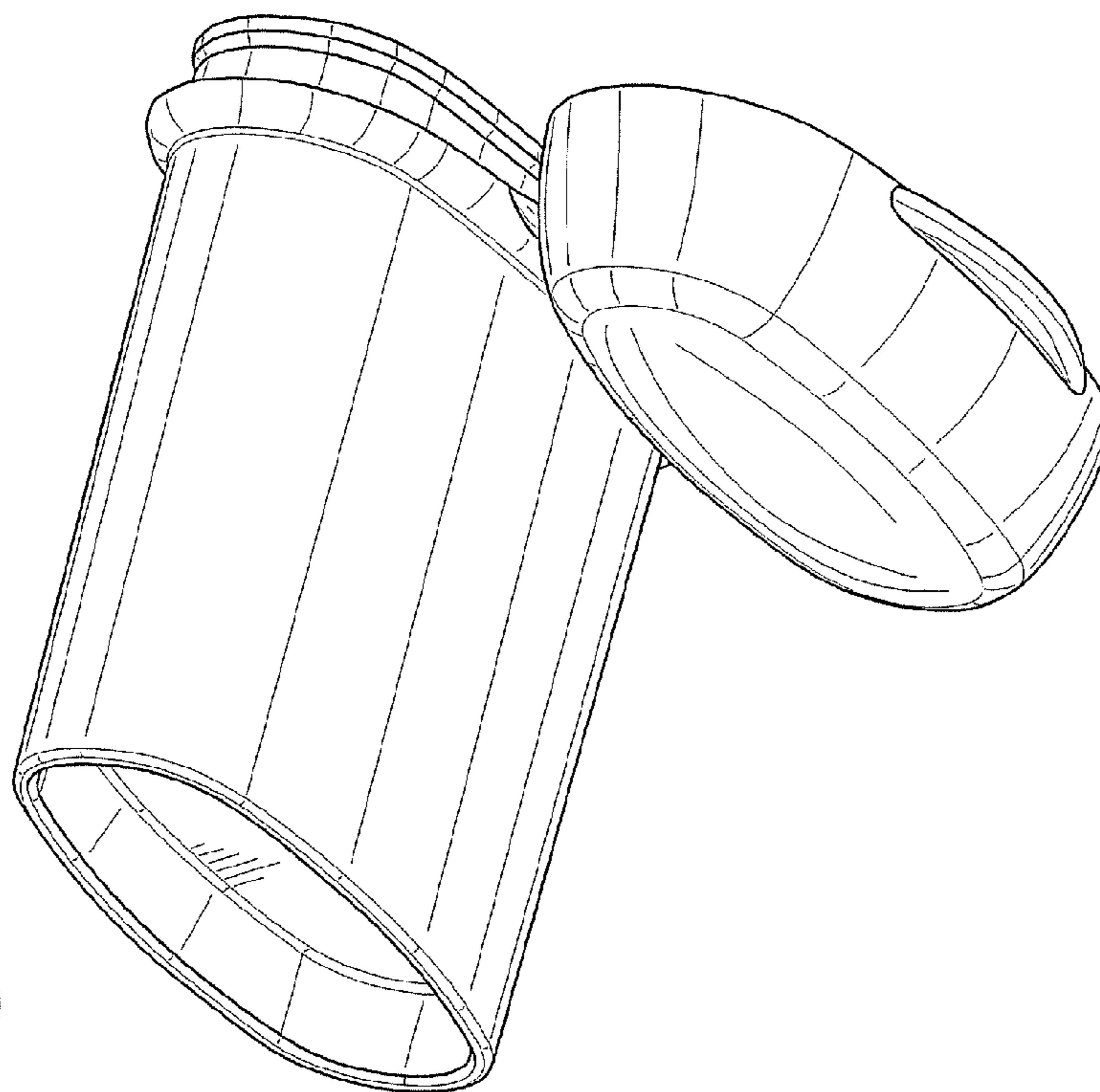


FIG. 19





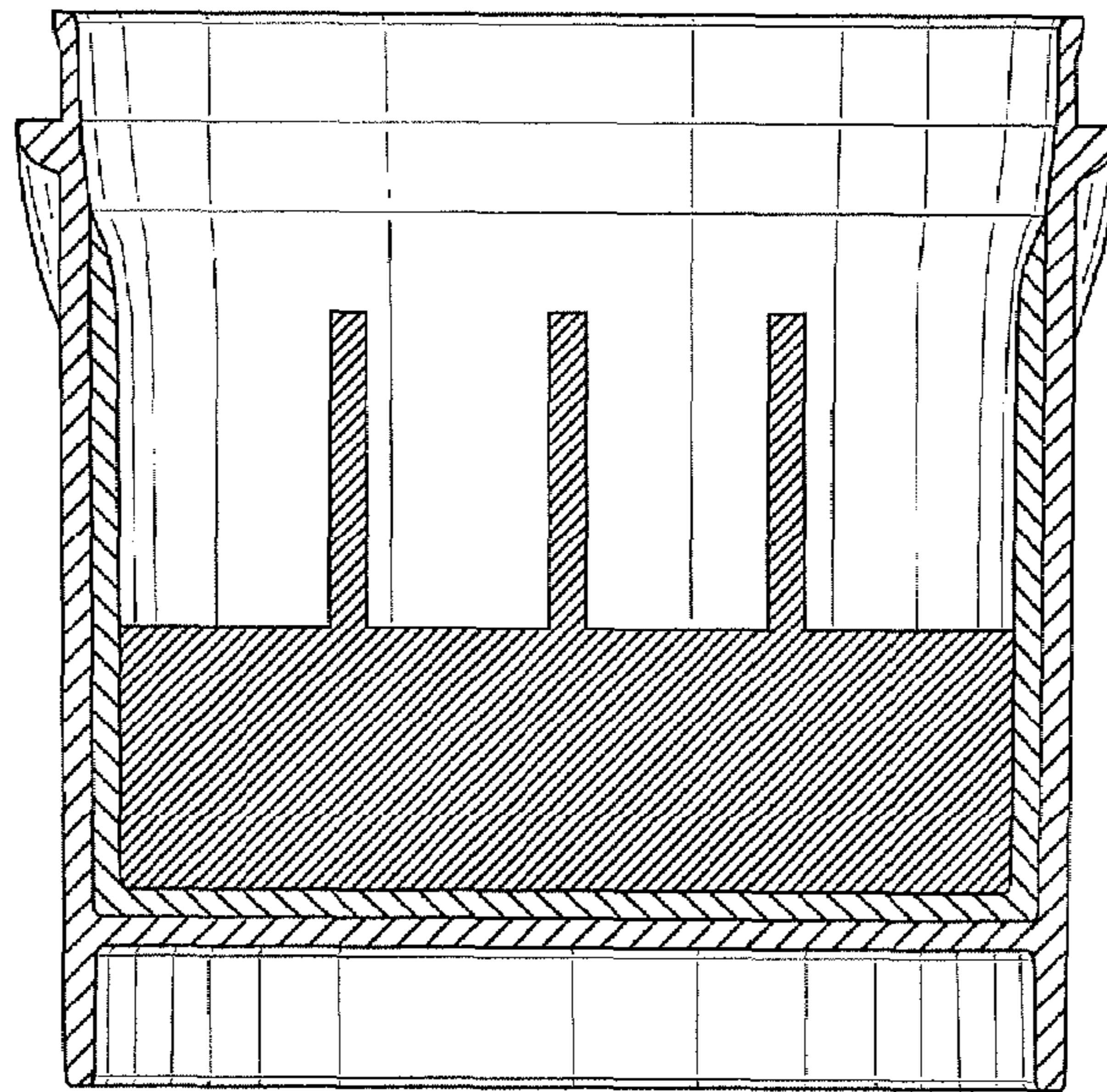


FIG. 20

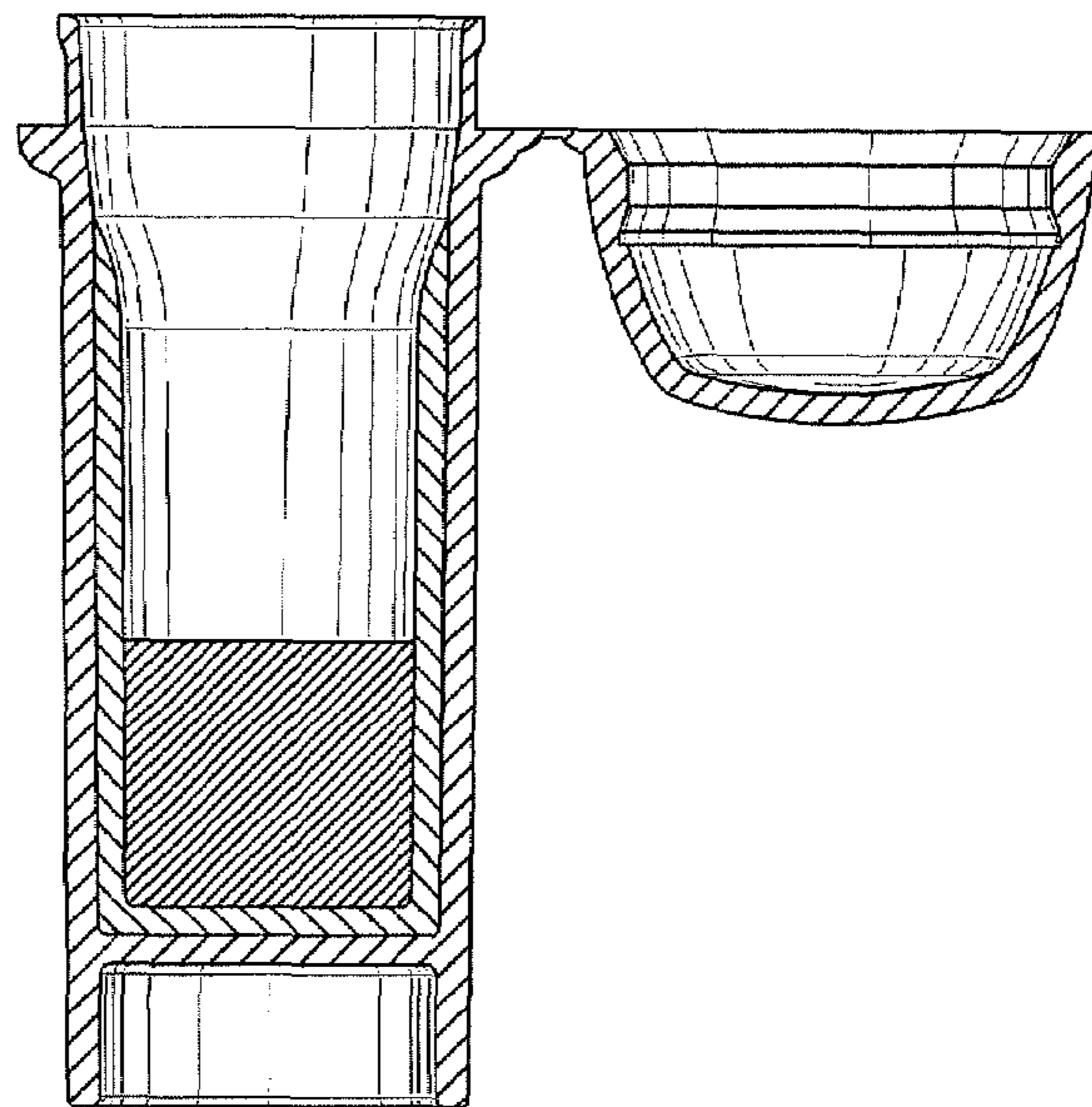


FIG. 21



FIG. 22

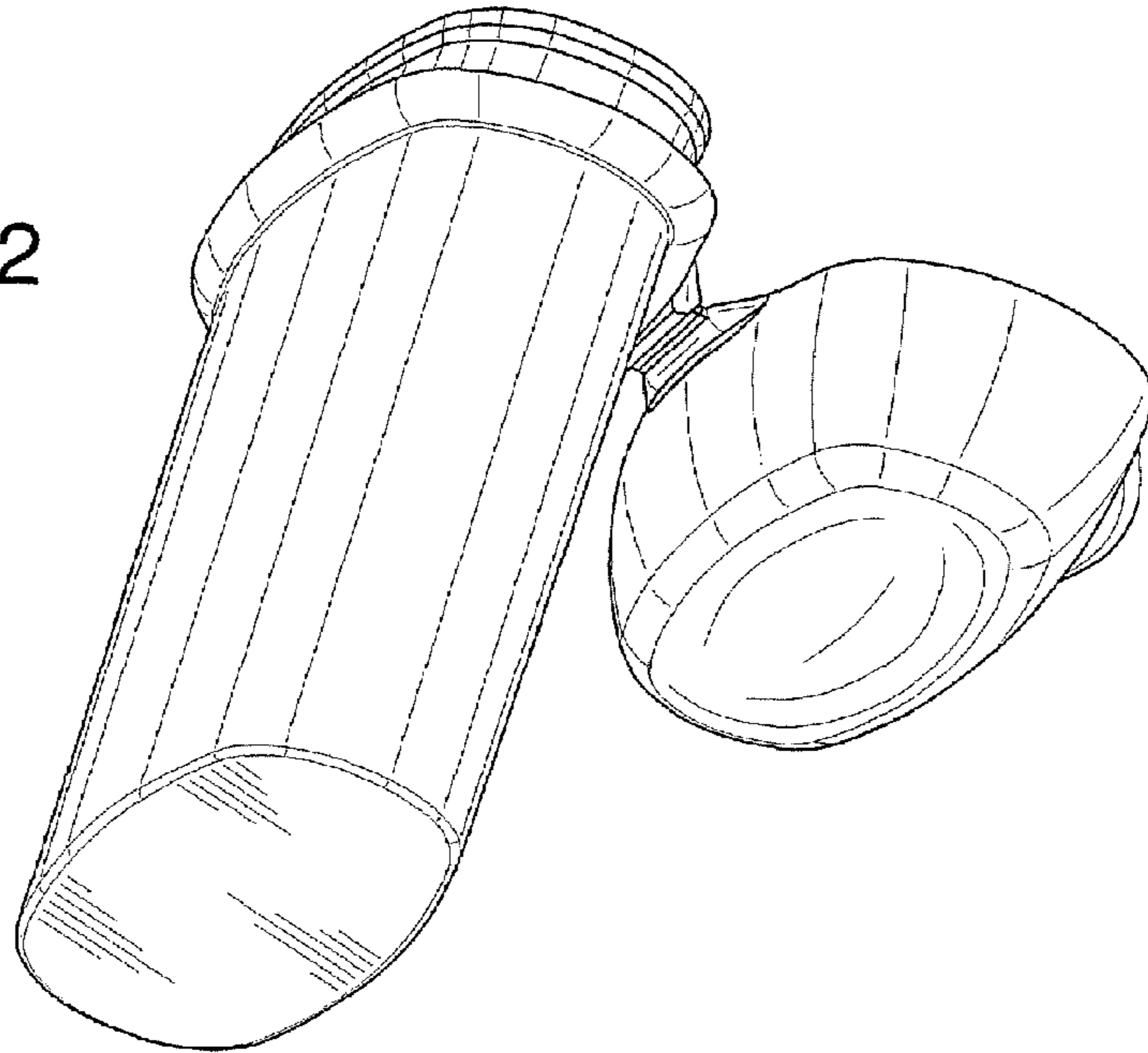
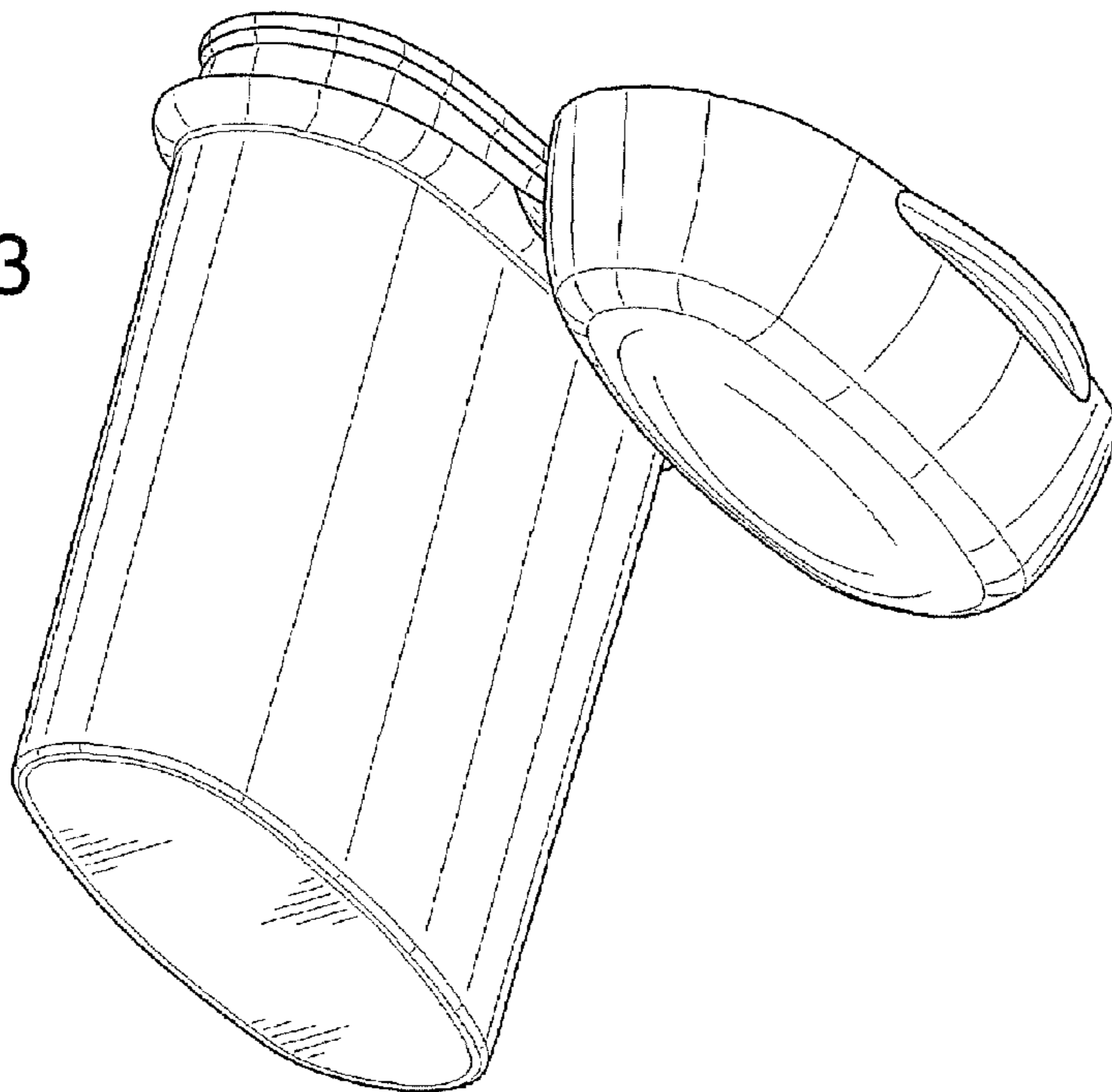


FIG. 23



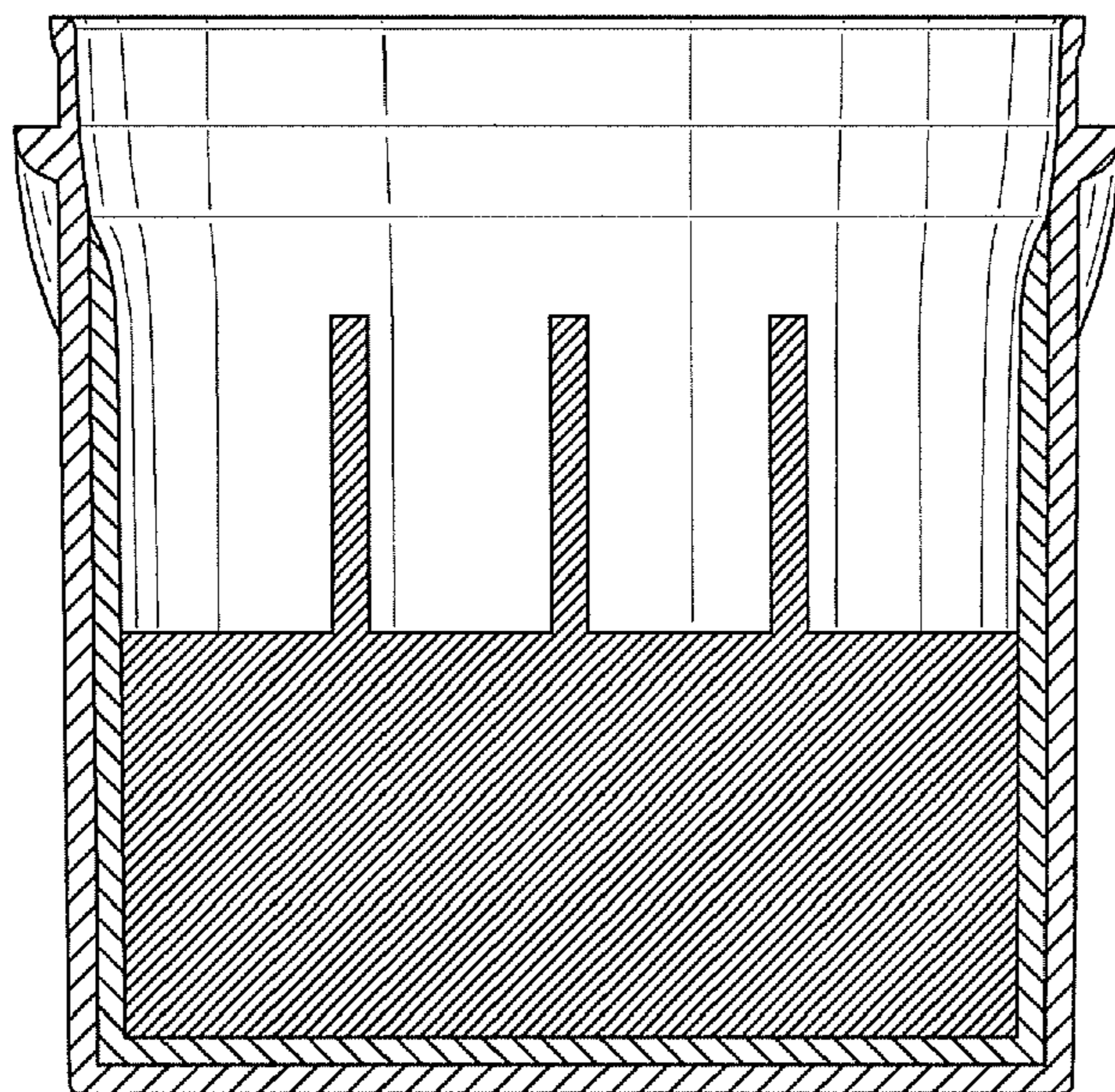


FIG. 24

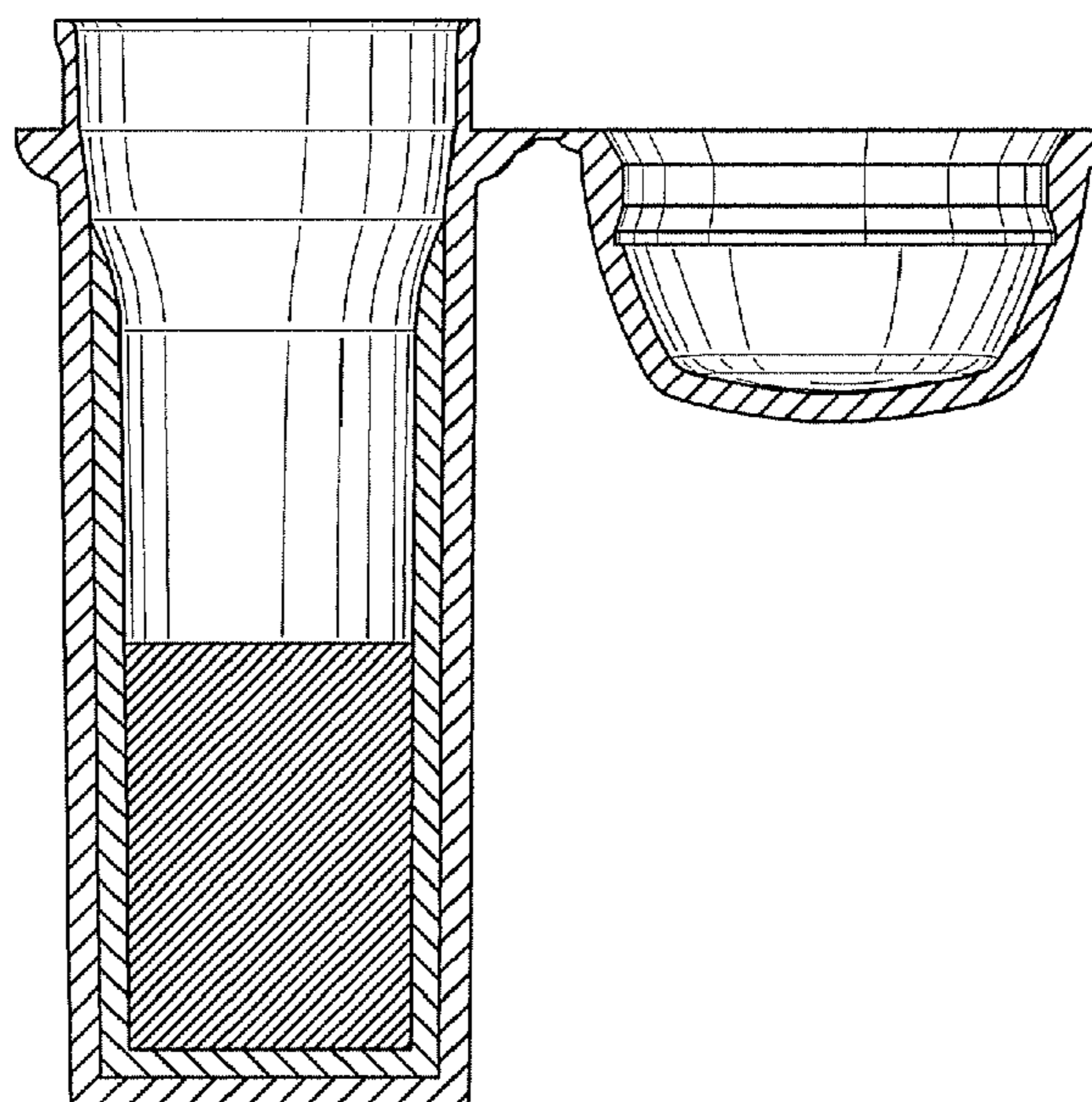


FIG. 25

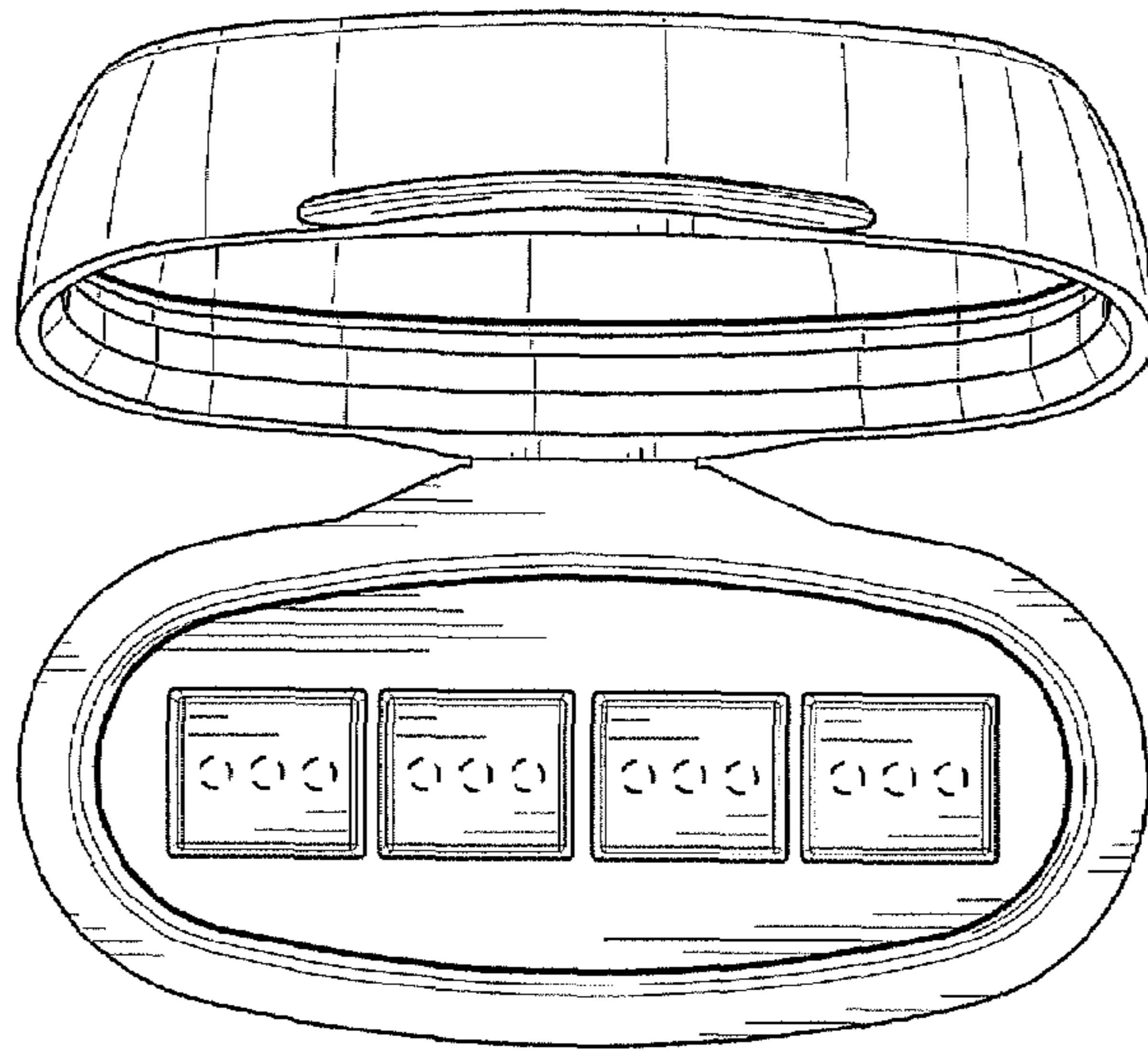


FIG. 26

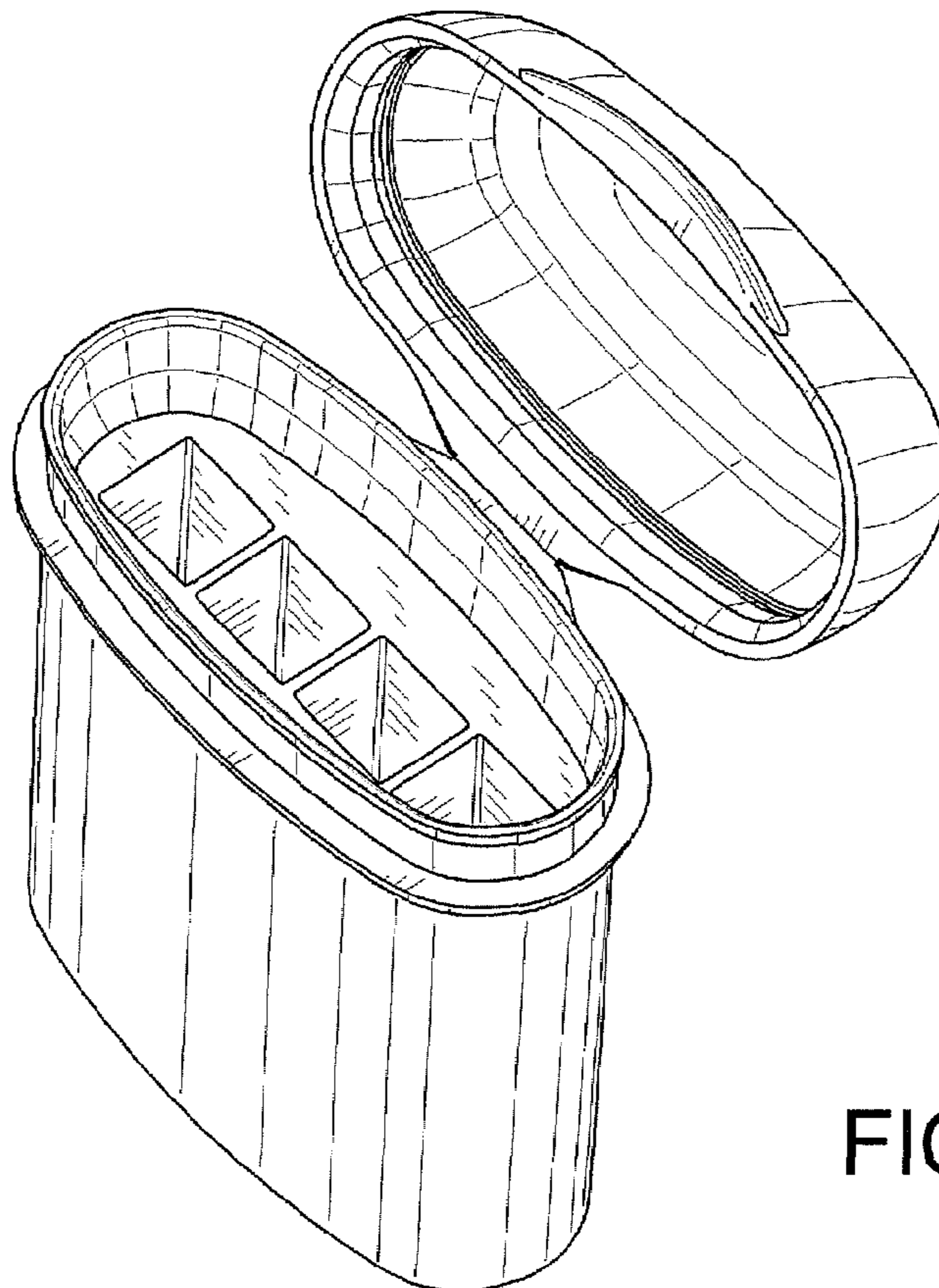


FIG. 27

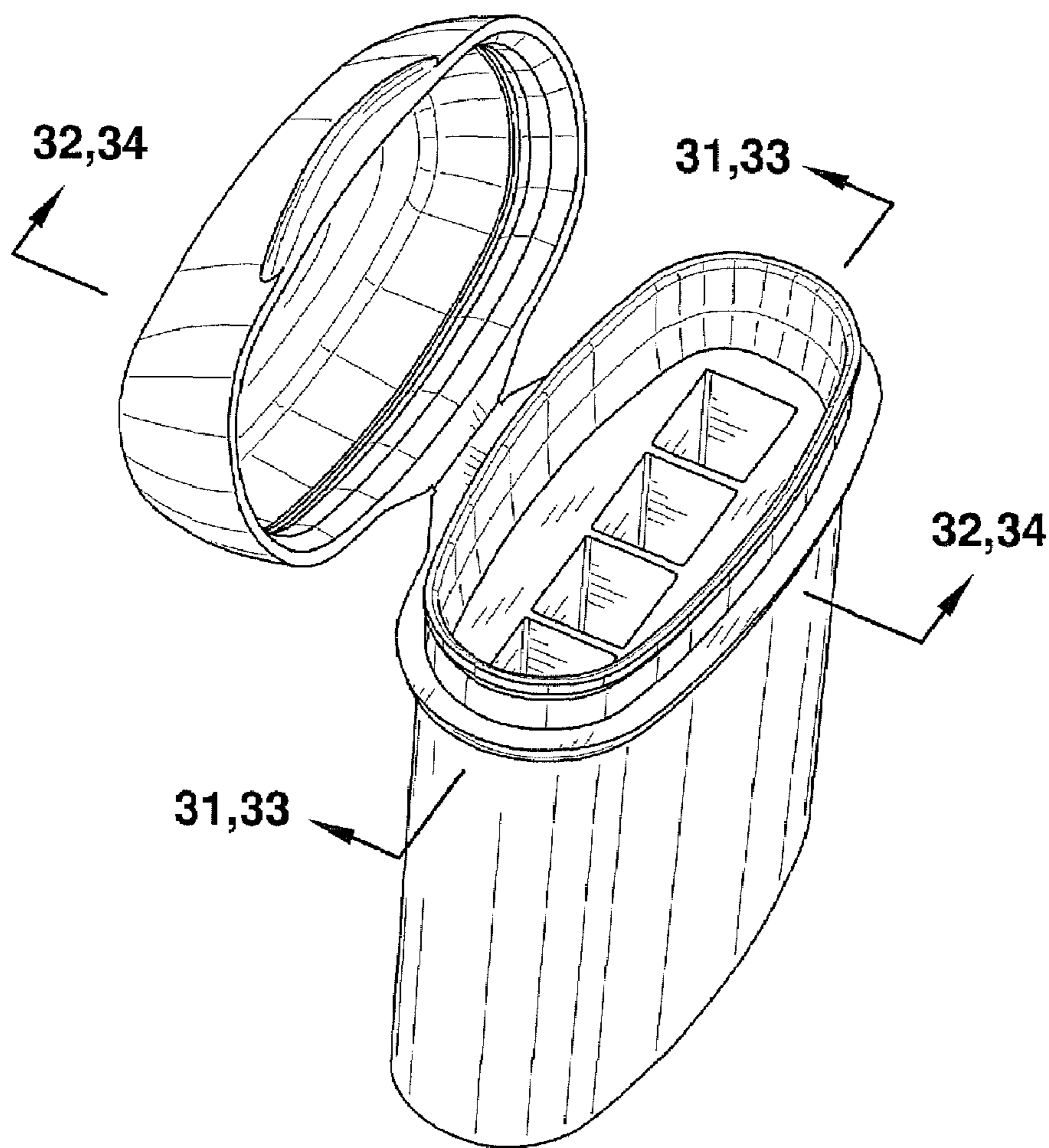


FIG. 28



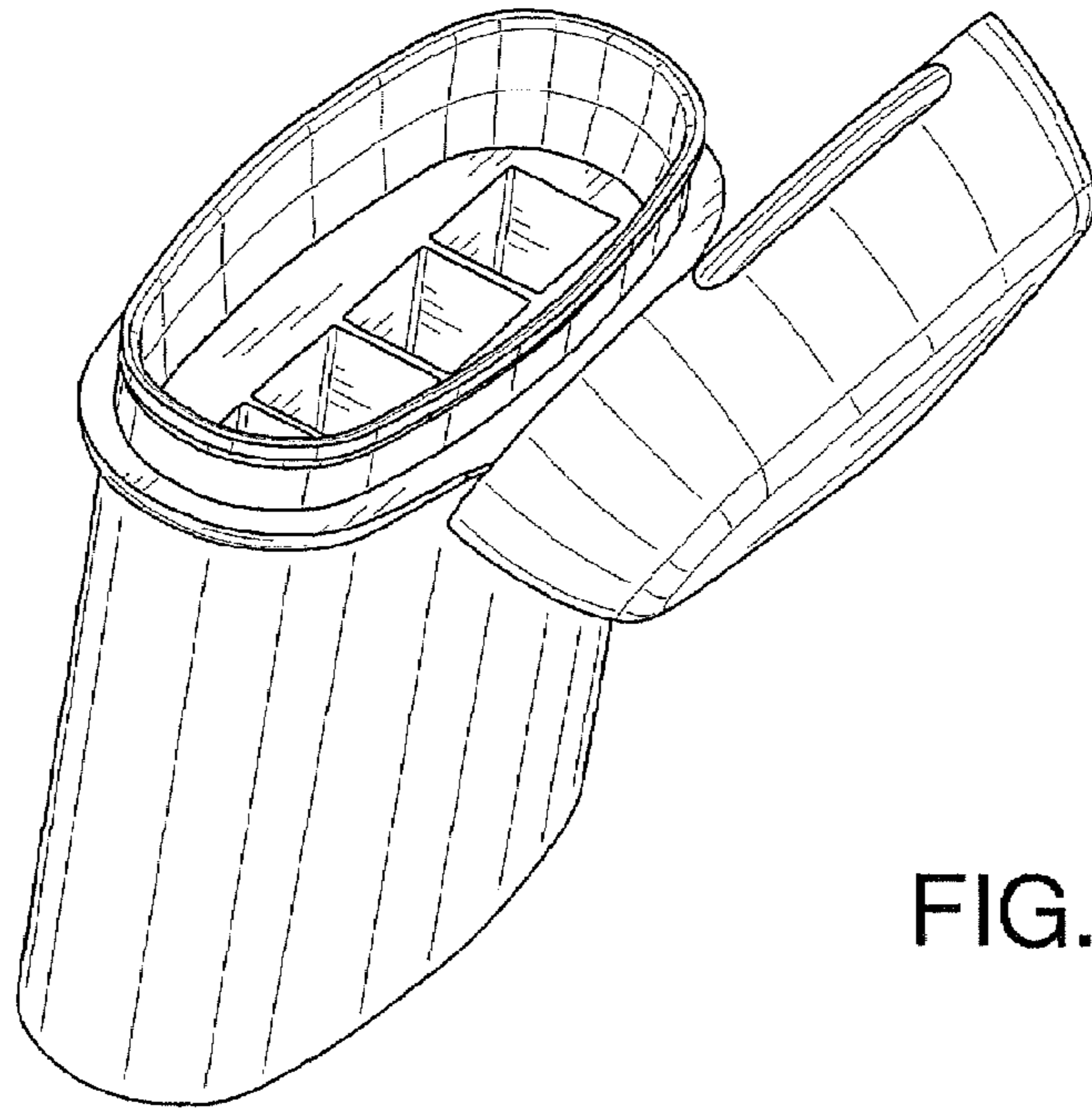


FIG. 29

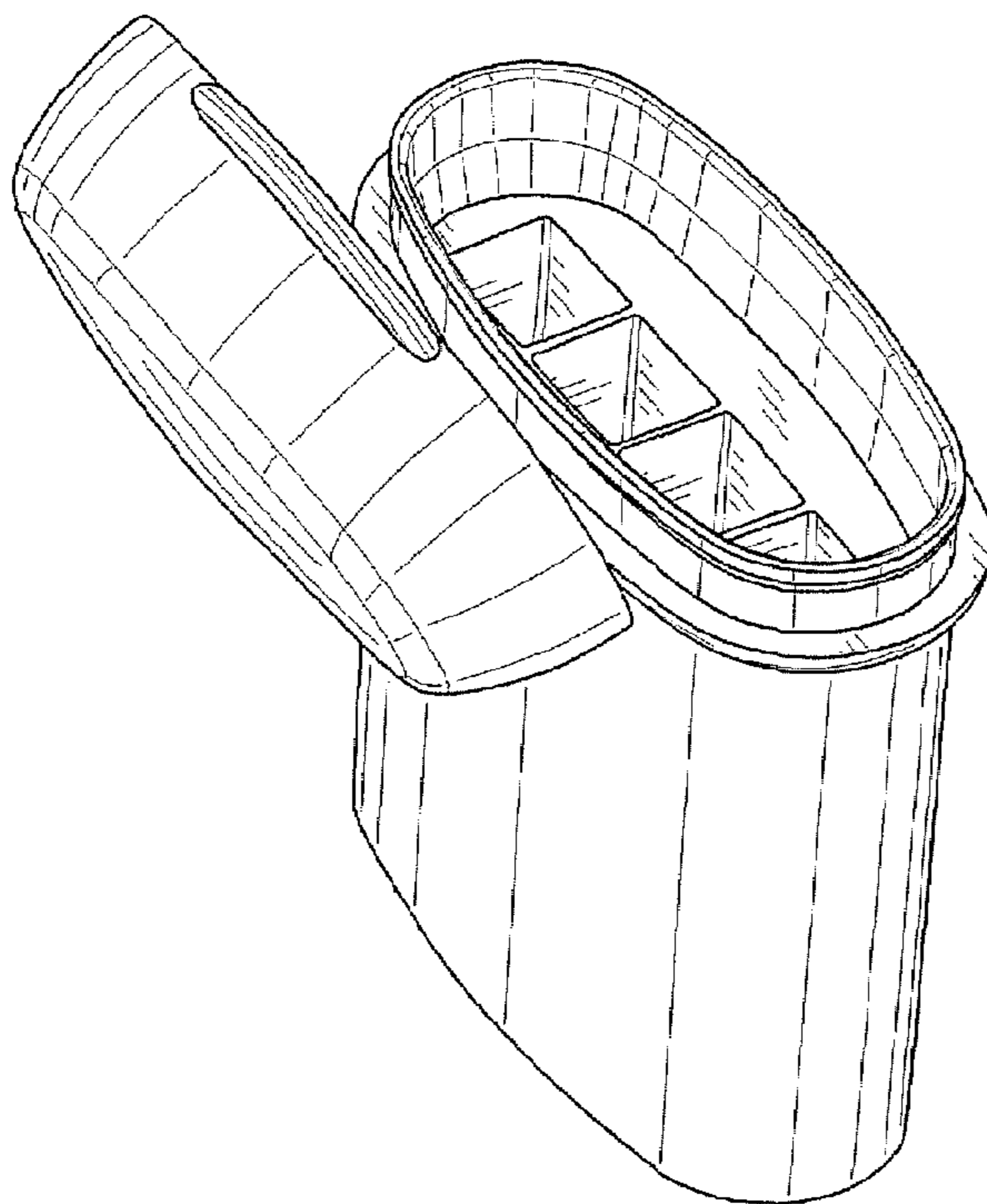


FIG. 30



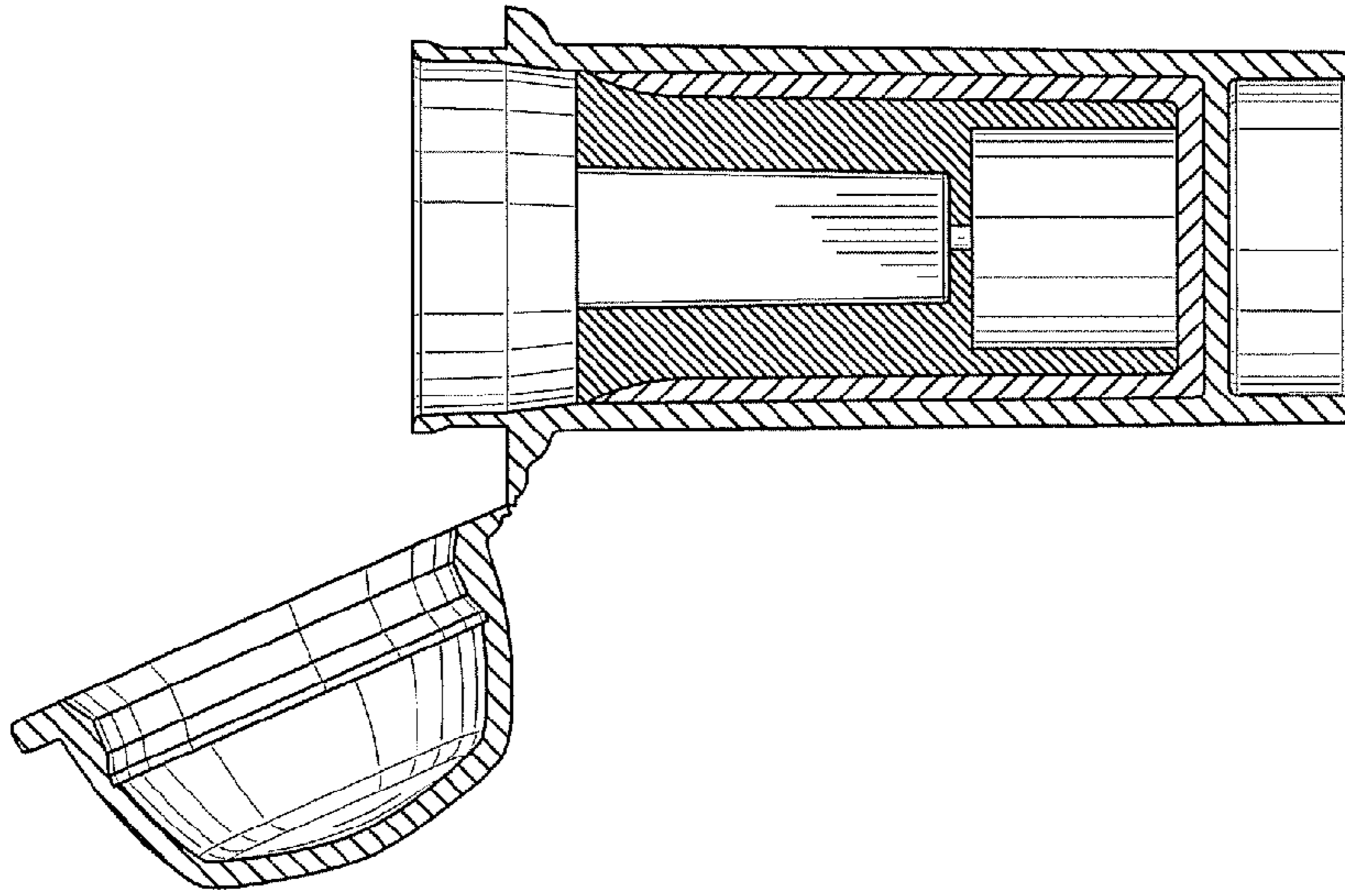


FIG. 32

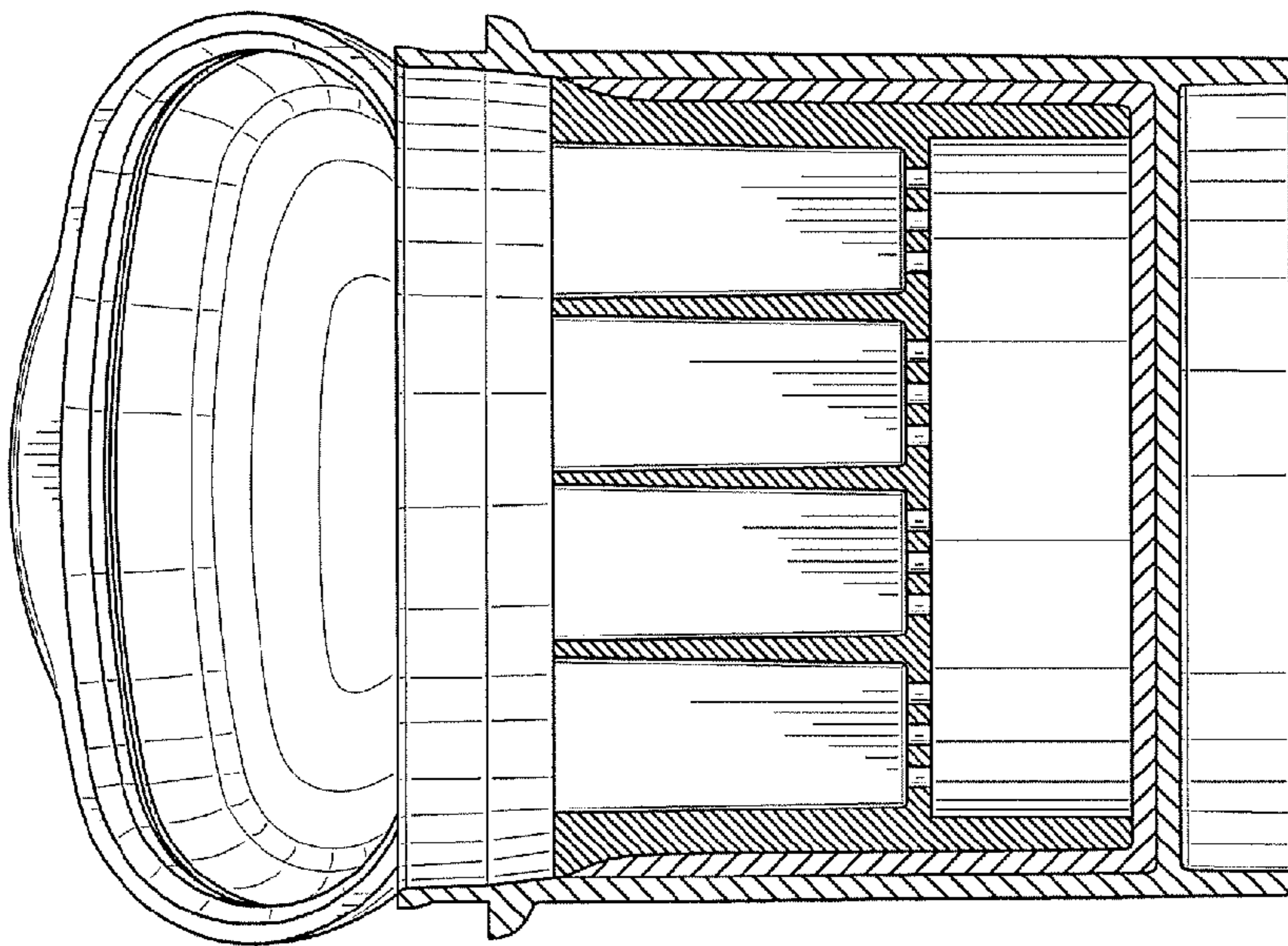


FIG. 31

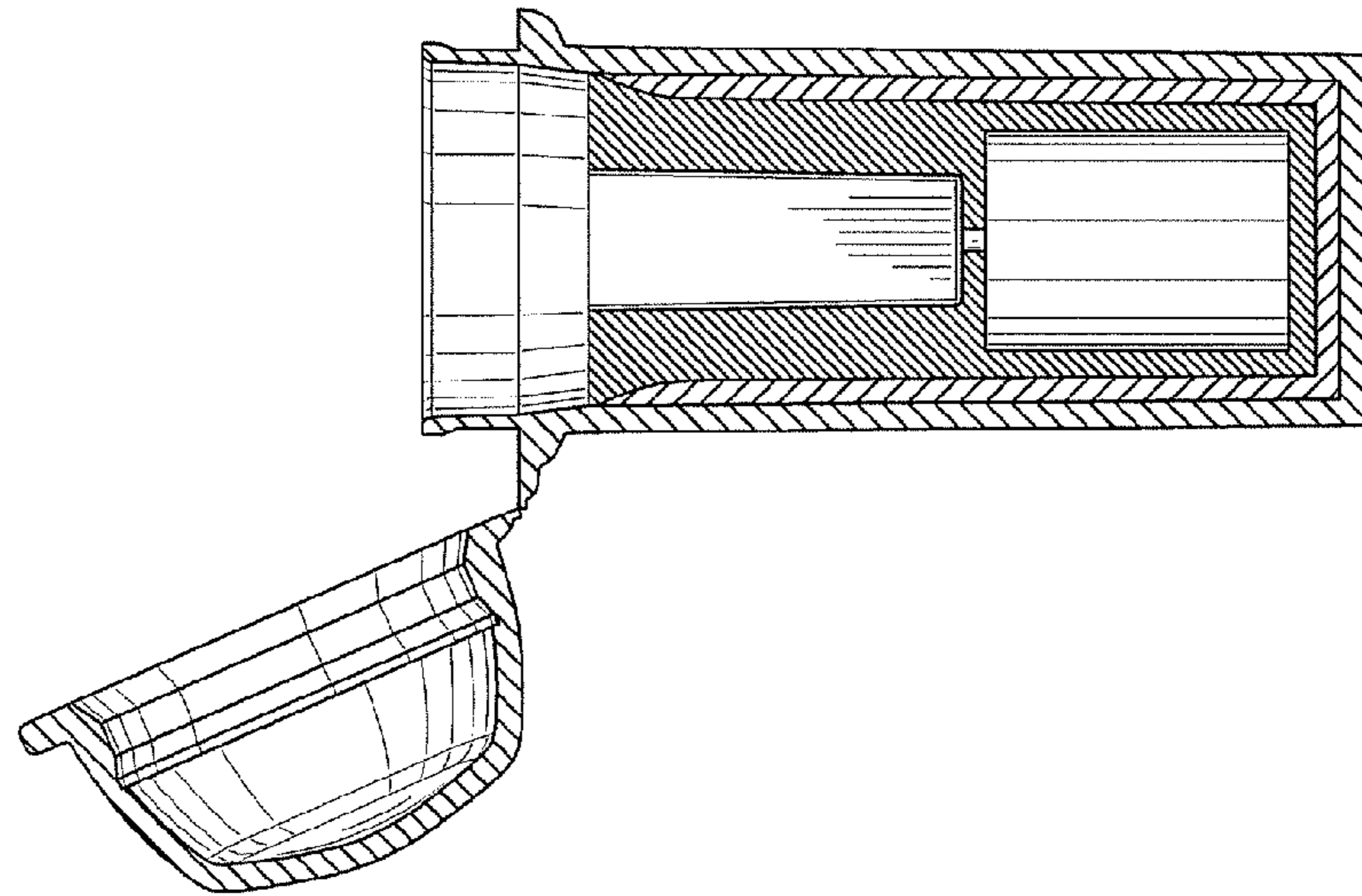


FIG. 34

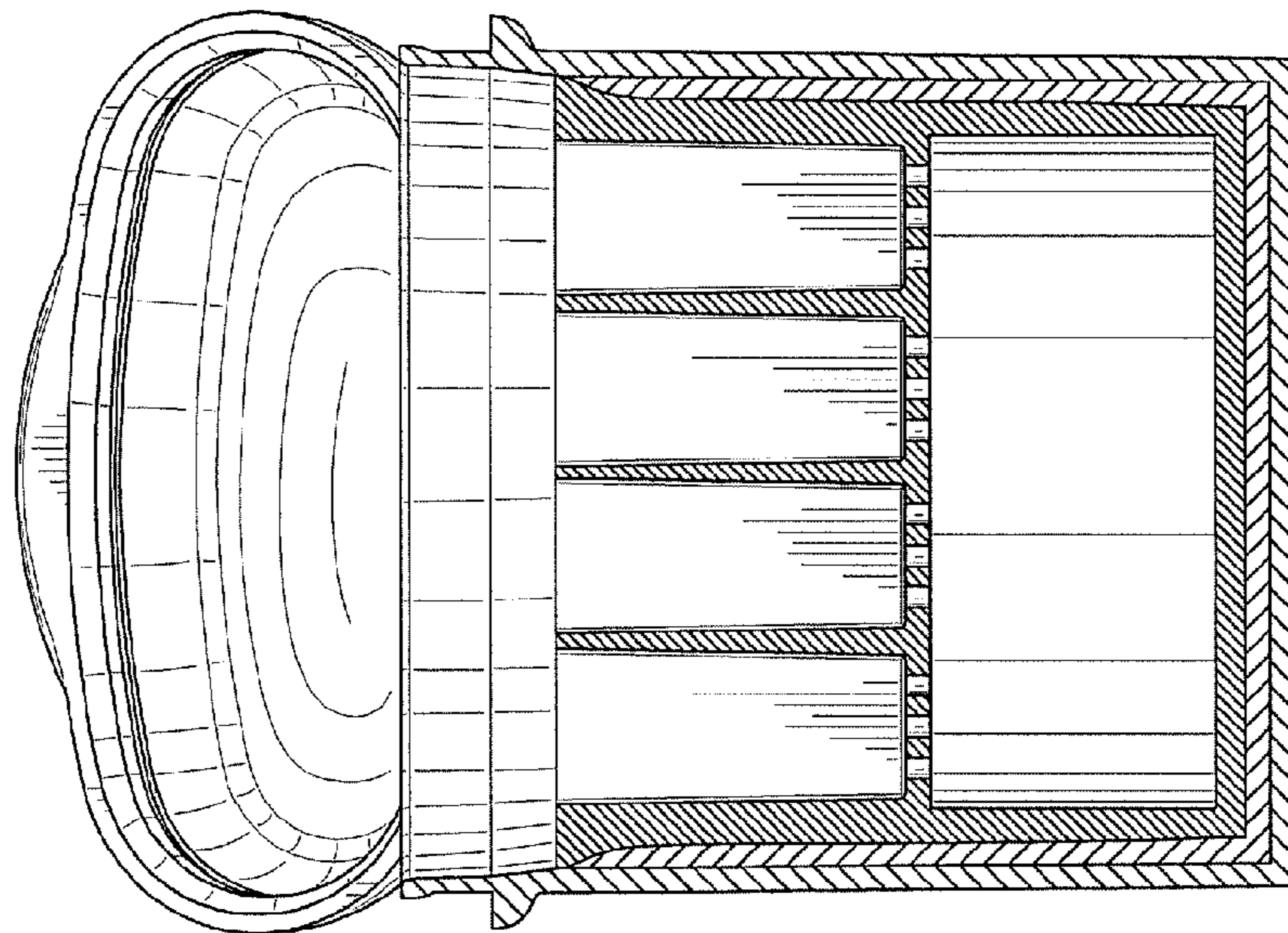


FIG. 33