



US00D599031S

(12) **United States Design Patent**
Kelly

(10) **Patent No.:** **US D599,031 S**

(45) **Date of Patent:** **** Aug. 25, 2009**

(54) **LIQUID REAGENT RESERVOIR**

(75) Inventor: **Terrence Kelly**, Lowell, MA (US)

(73) Assignee: **Viaflo Corporation**, Hudson, NH (US)

(**) Term: **14 Years**

(21) Appl. No.: **29/280,087**

(22) Filed: **May 16, 2007**

(51) **LOC (9) Cl.** **24-01**

(52) **U.S. Cl.** **D24/223**

(58) **Field of Classification Search** D24/216–227,
D24/121, 232; 422/99, 102, 104, 375, 780,
422/834, 839; D9/425, 432; 435/288.1,
435/304.1; 436/810

See application file for complete search history.

(56) **References Cited**

U.S. PATENT DOCUMENTS

D290,400	S	*	6/1987	Tong	D24/224
D304,369	S	*	10/1989	Challberg et al.	D24/224
5,248,056	A		9/1993	Shaw		
D400,099	S	*	10/1998	Brauner et al.	D9/431
D411,014	S	*	6/1999	Berger et al.	D24/224
6,180,065	B1		1/2001	Homola		
6,800,491	B2		10/2004	Ringleben et al.		
D544,610	S	*	6/2007	Ouchi et al.	D24/224
D559,398	S	*	1/2008	Maliakal et al.	D24/232

OTHER PUBLICATIONS

Deerac Fluidics—Equator Add-Ons—obtained from website: http://www.deerac.com/Products/equator_add_ons.439.html. Date Accessed: May 17, 2007.

Nunc Brand—Disposable Reservoirs—obtained from website: <http://www.nuncbrand.com/print.aspx?id=1304>. Date Accessed: May 17, 2007.

* cited by examiner

Primary Examiner—T. Chase Nelson

Assistant Examiner—Anhdao Doan

(74) *Attorney, Agent, or Firm*—Andrus, Scales, Starke & Sawall, LLP

(57) **CLAIM**

The ornamental design of a liquid reagent reservoir, as shown and described.

DESCRIPTION

FIG. 1 is a perspective view of a liquid reagent reservoir in accordance with a first embodiment of the new design.

FIG. 2 is a top plan view of the kit shown in FIG. 1.

FIG. 3 is a side elevational view as viewed from the left side of the kit shown in FIG. 1, an elevational view from the right side being a mirror image thereof.

FIG. 4 is a front elevational view of the kit shown in FIG. 1, a rear elevational view being a mirror image thereof.

FIG. 5 is a bottom plan view of the kit shown in FIG. 1.

FIG. 6 is a cross-sectional view of the kit shown in FIG. 1 taken along line 6—6 in FIG. 2, which illustrates a disposable liner being placed within a reusable base in the kit of FIG. 1.

FIG. 7 is a perspective view of a second embodiment of a liquid reagent reservoir in accordance with the new design;

FIG. 8 is a top plan view thereof;

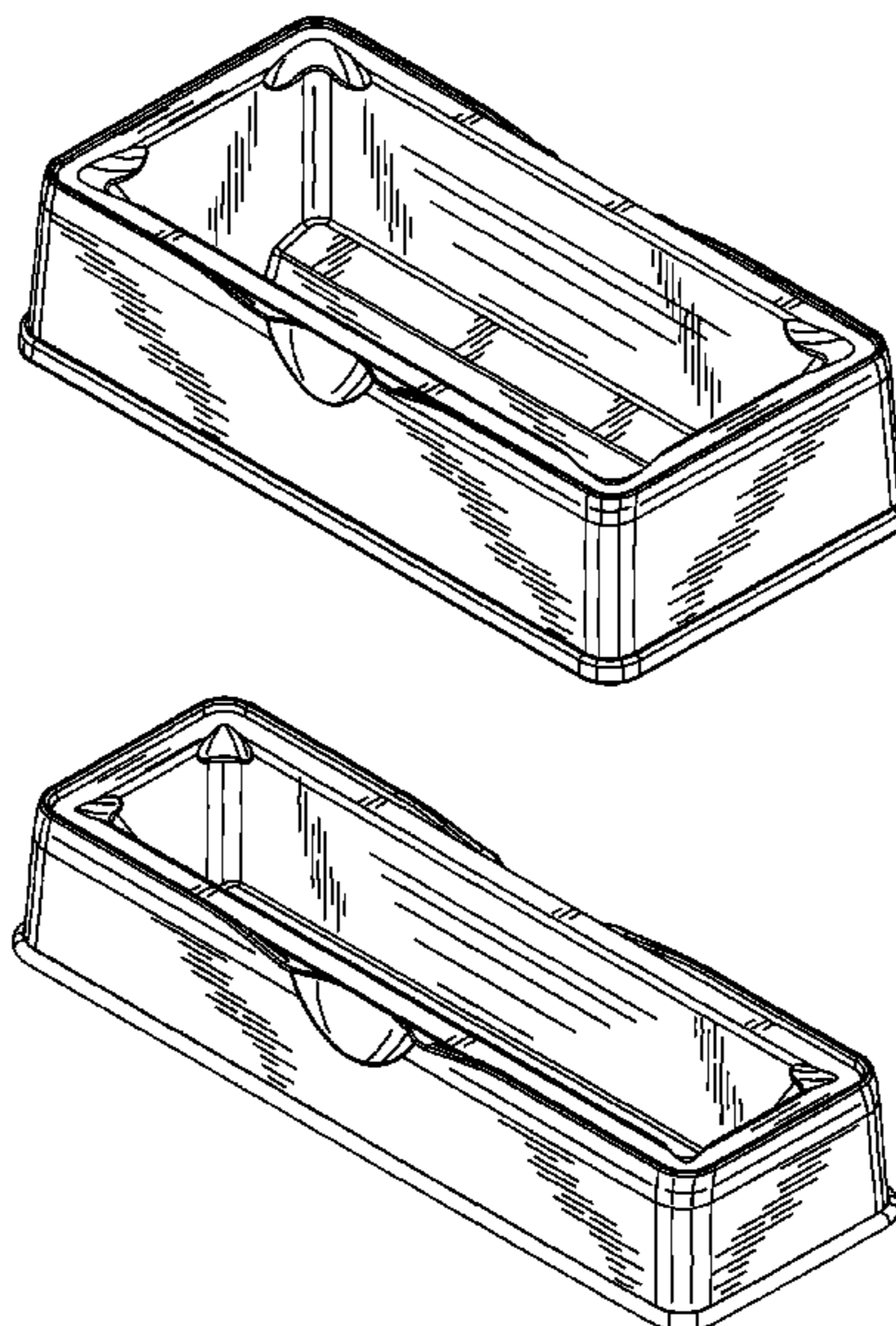
FIG. 9 is a left elevational view thereof, a right elevational view being a mirror image;

FIG. 10 is a front elevational view thereof, a rear elevational view being a mirror image;

FIG. 11 is a bottom plan view thereof; and,

FIG. 12 is a cross-sectional view thereof, taken along line 12—12 in FIG. 8 which illustrates a disposable liner being placed within a reusable base.

1 Claim, 6 Drawing Sheets



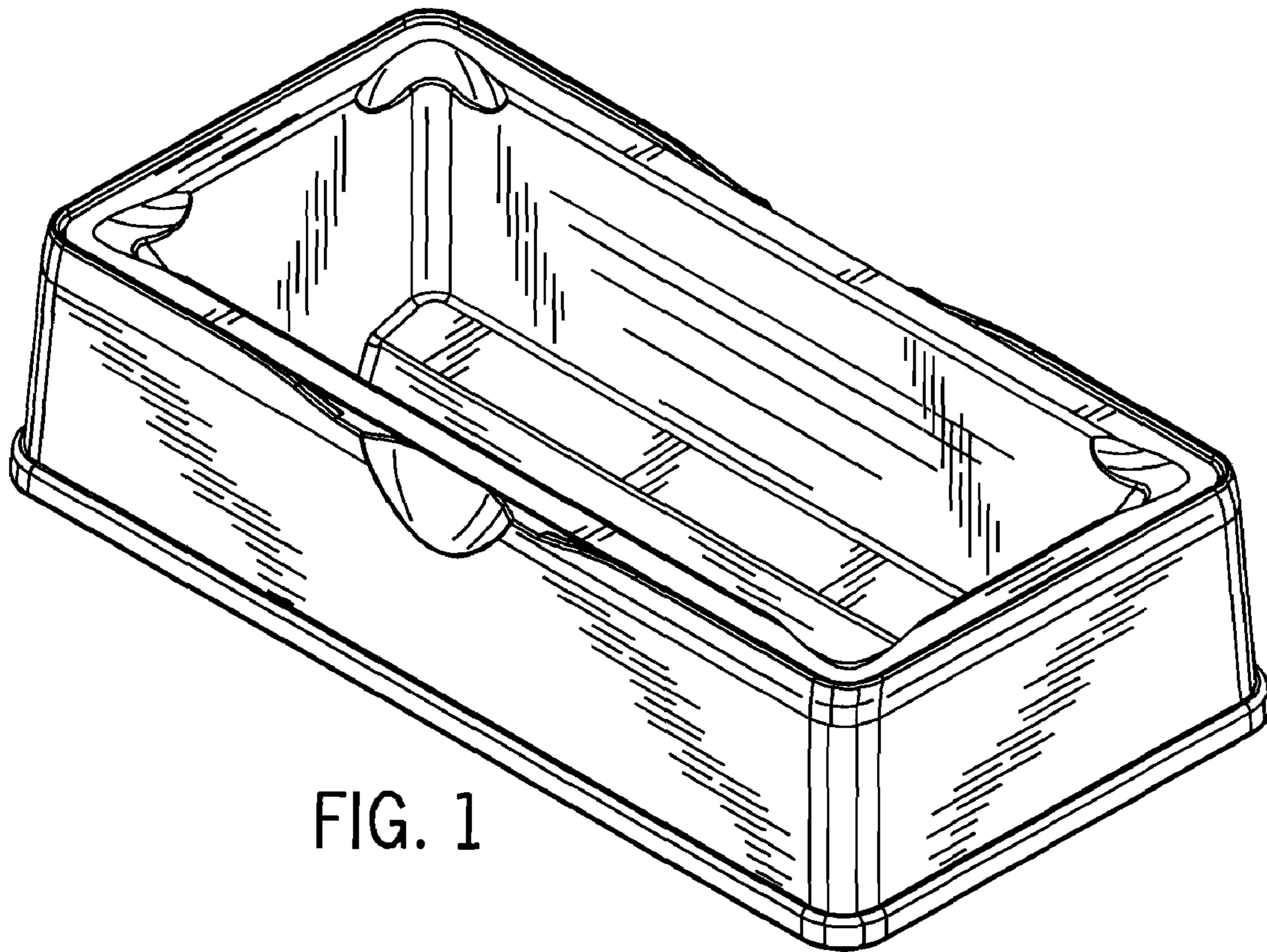
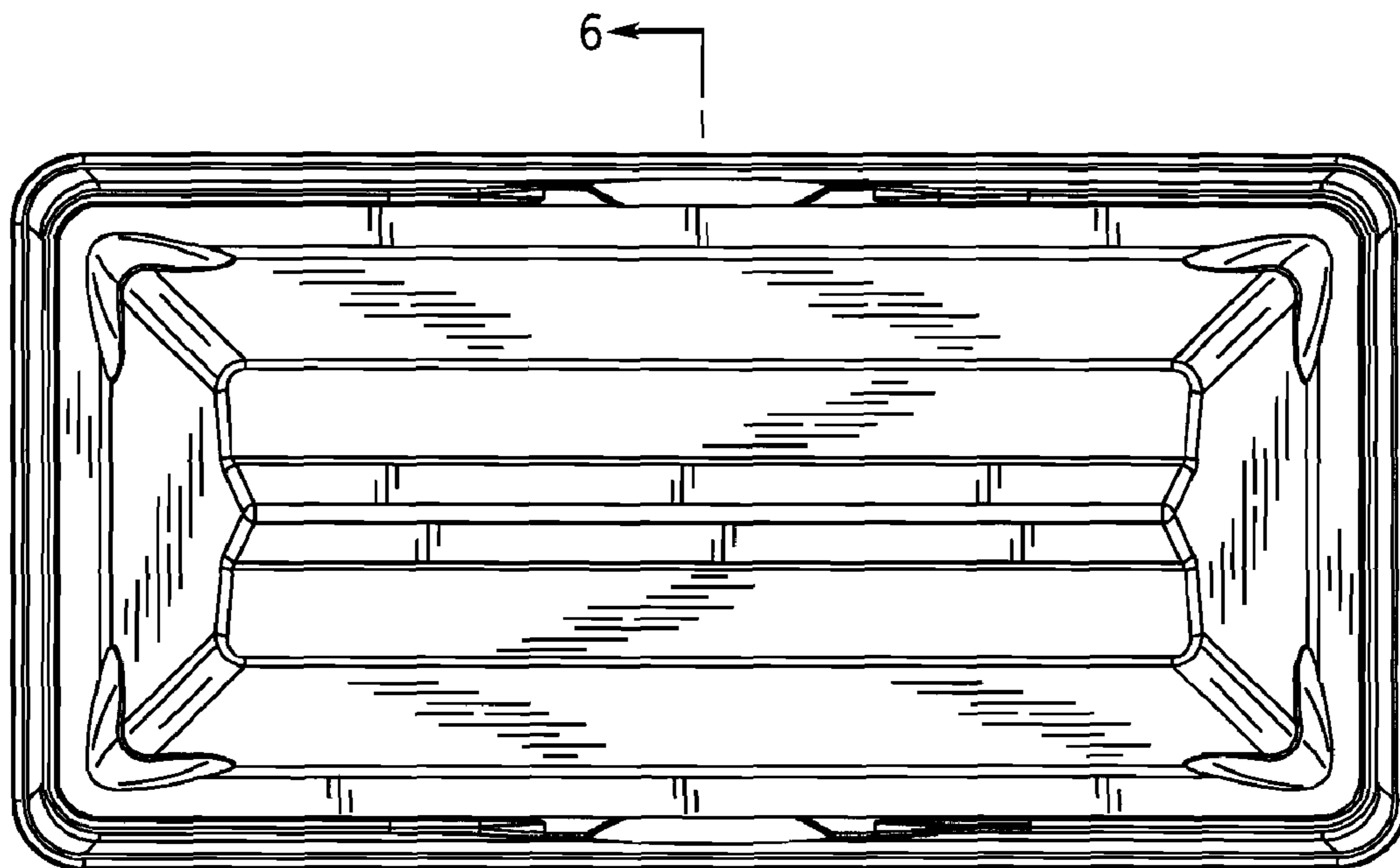


FIG. 1



6 ←

6 ←

FIG. 2

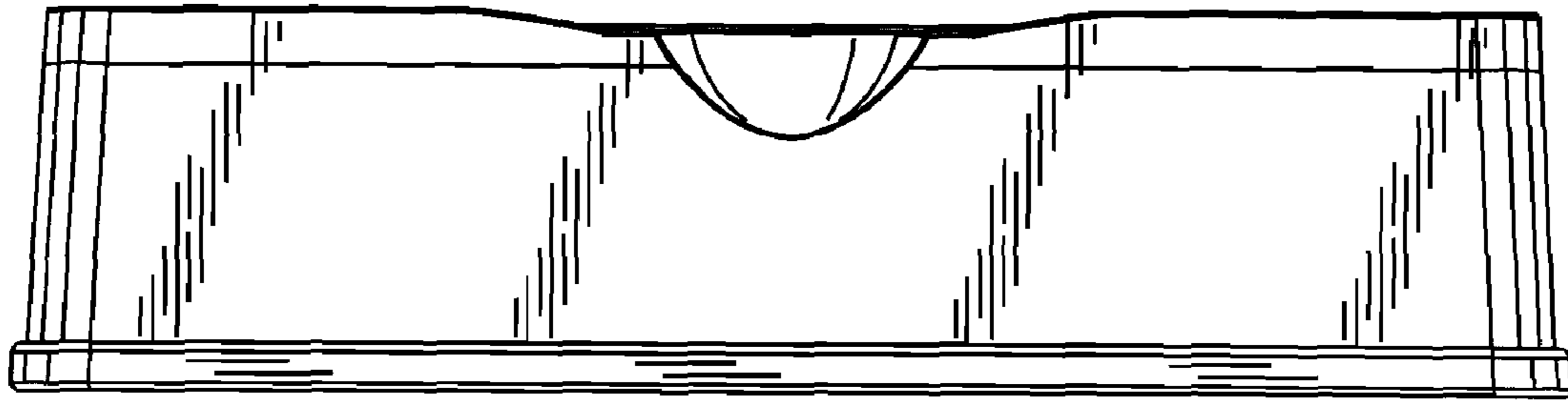


FIG. 3

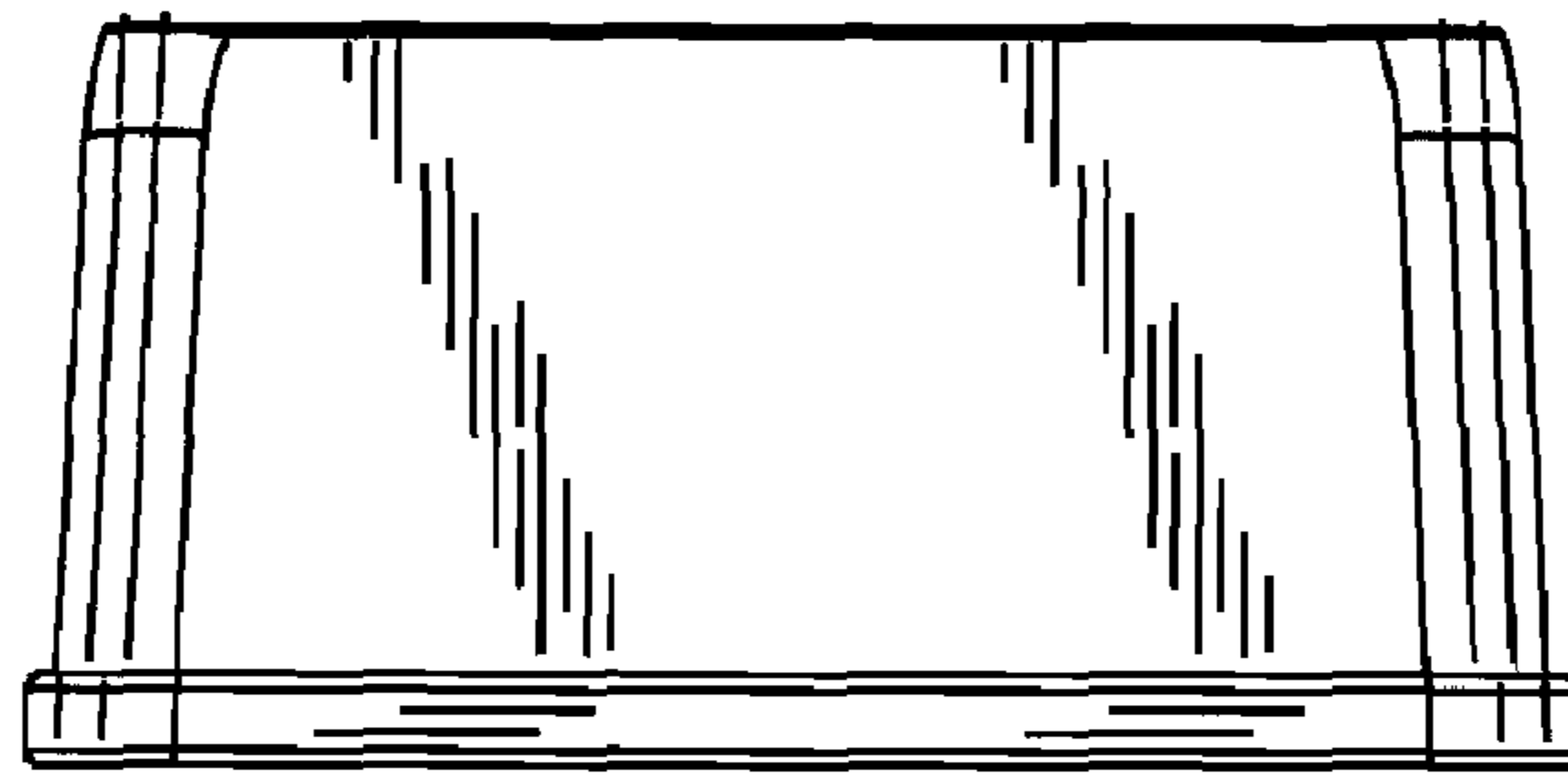


FIG. 4

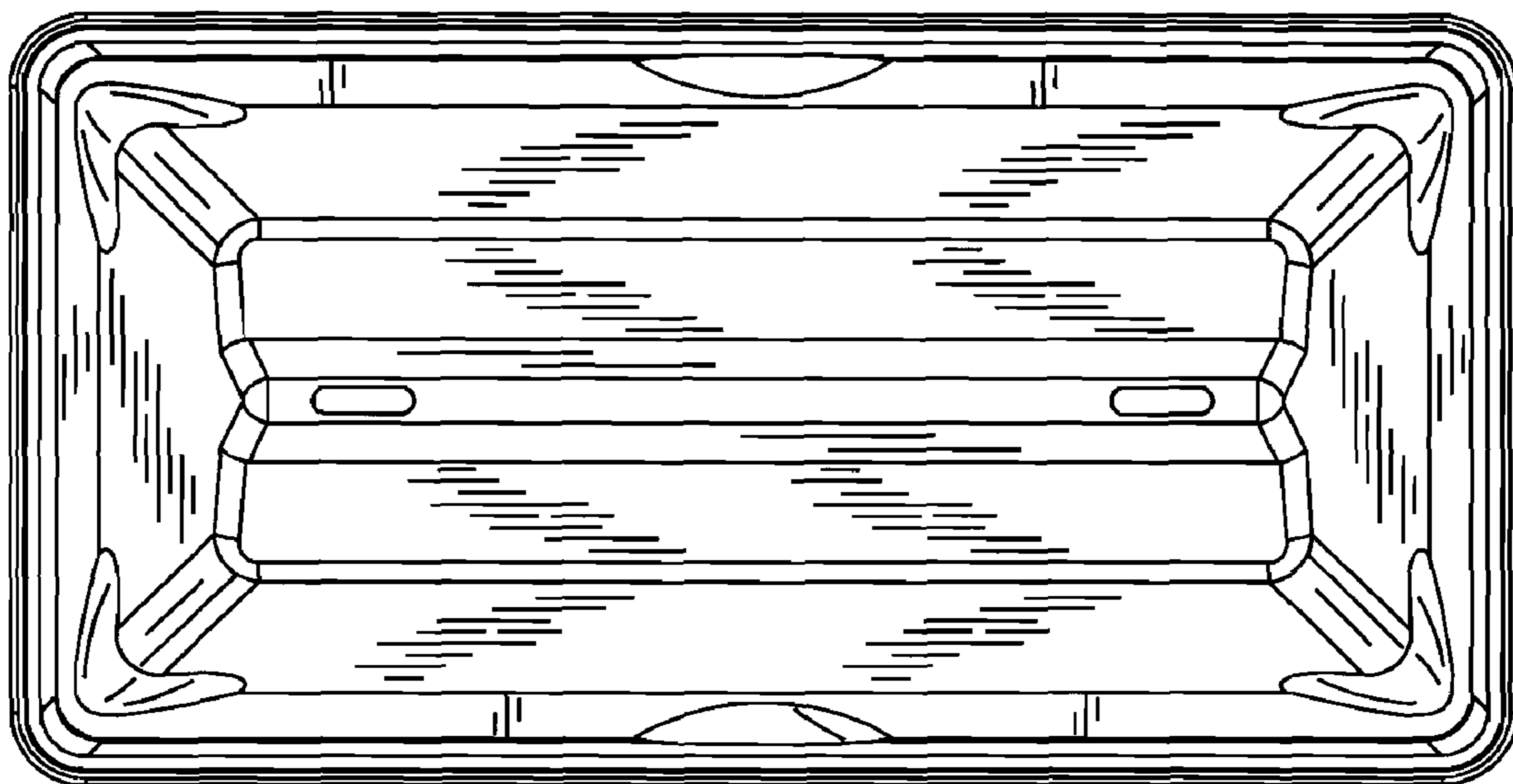


FIG. 5

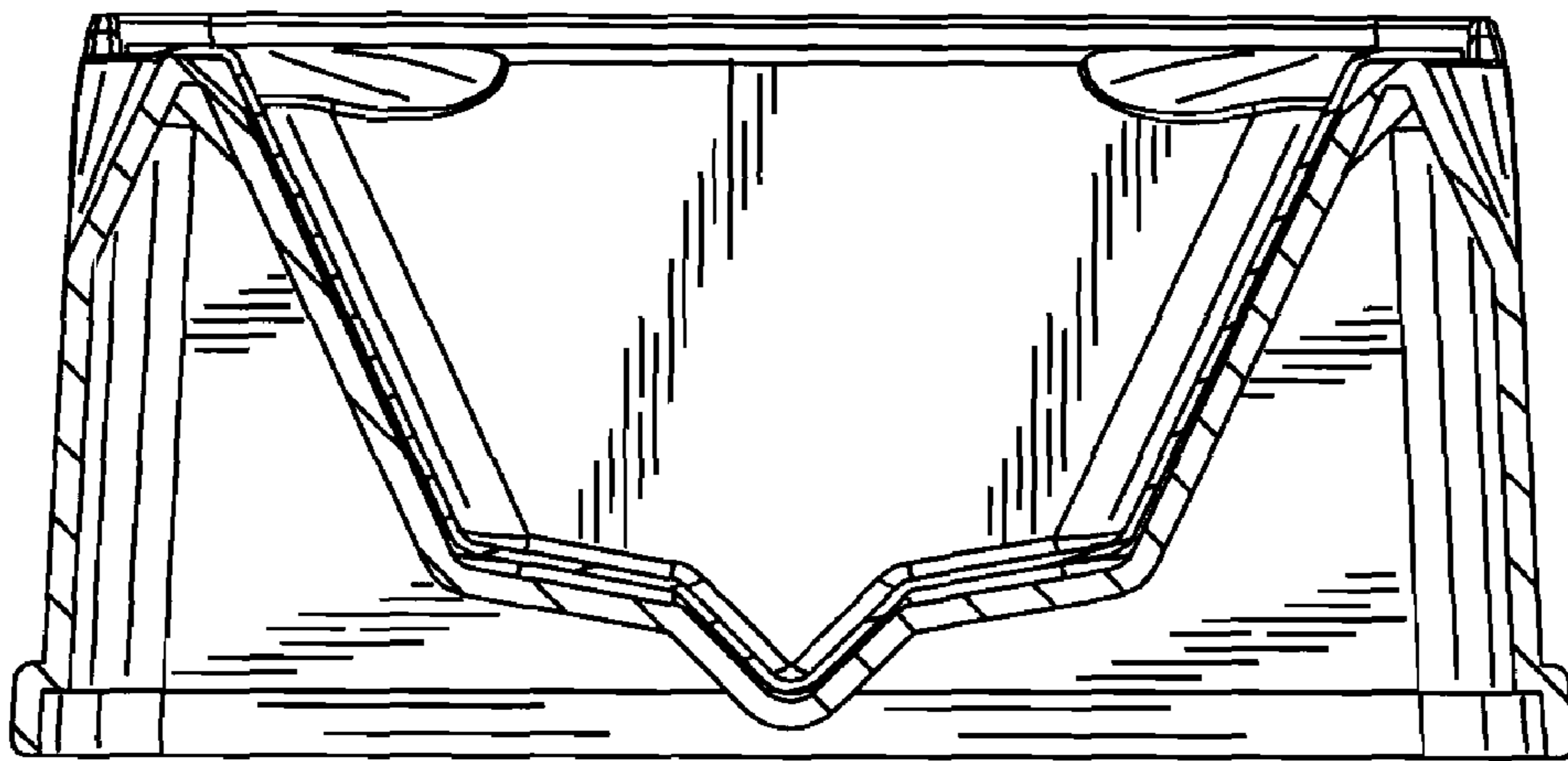


FIG. 6

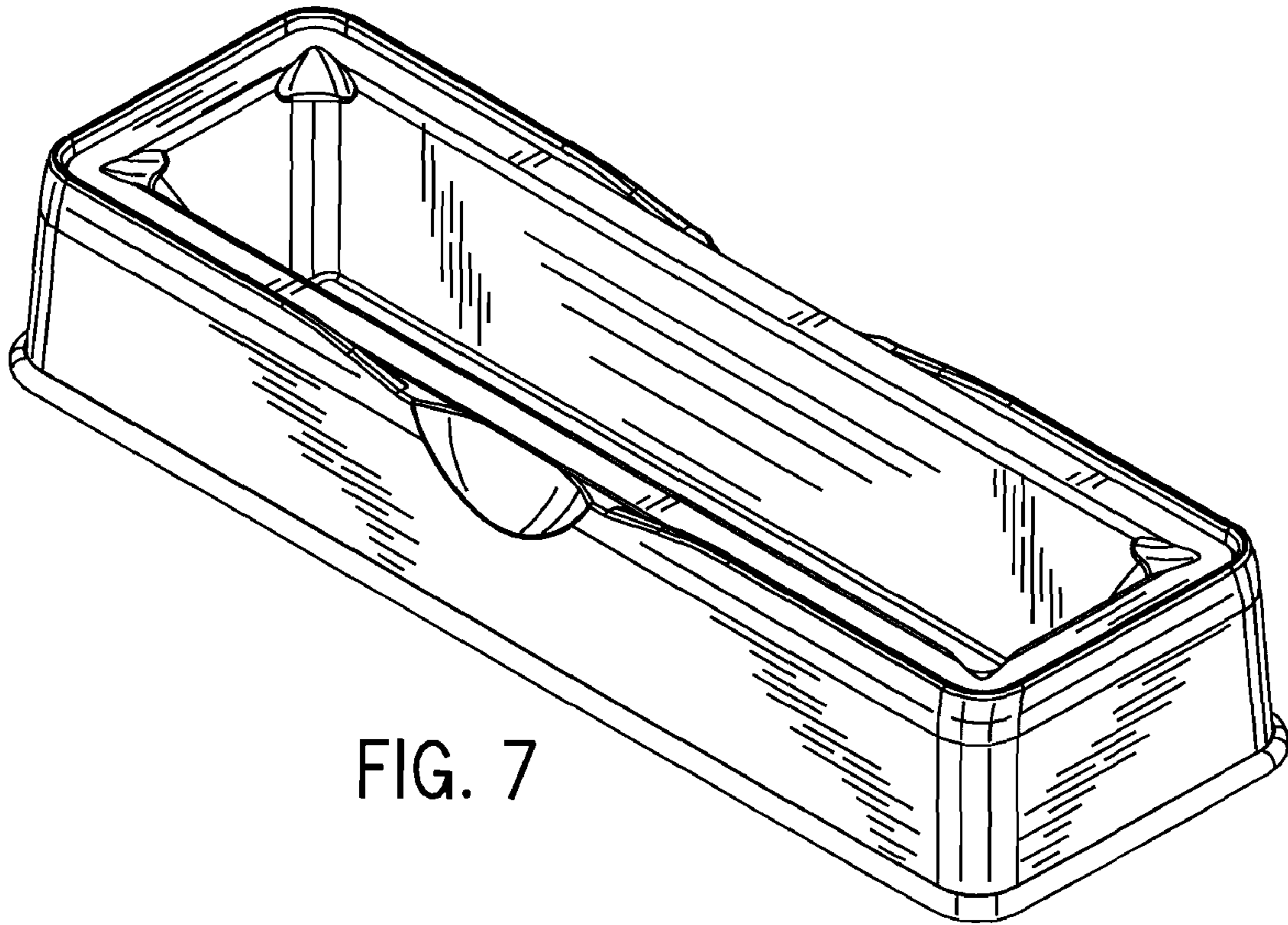
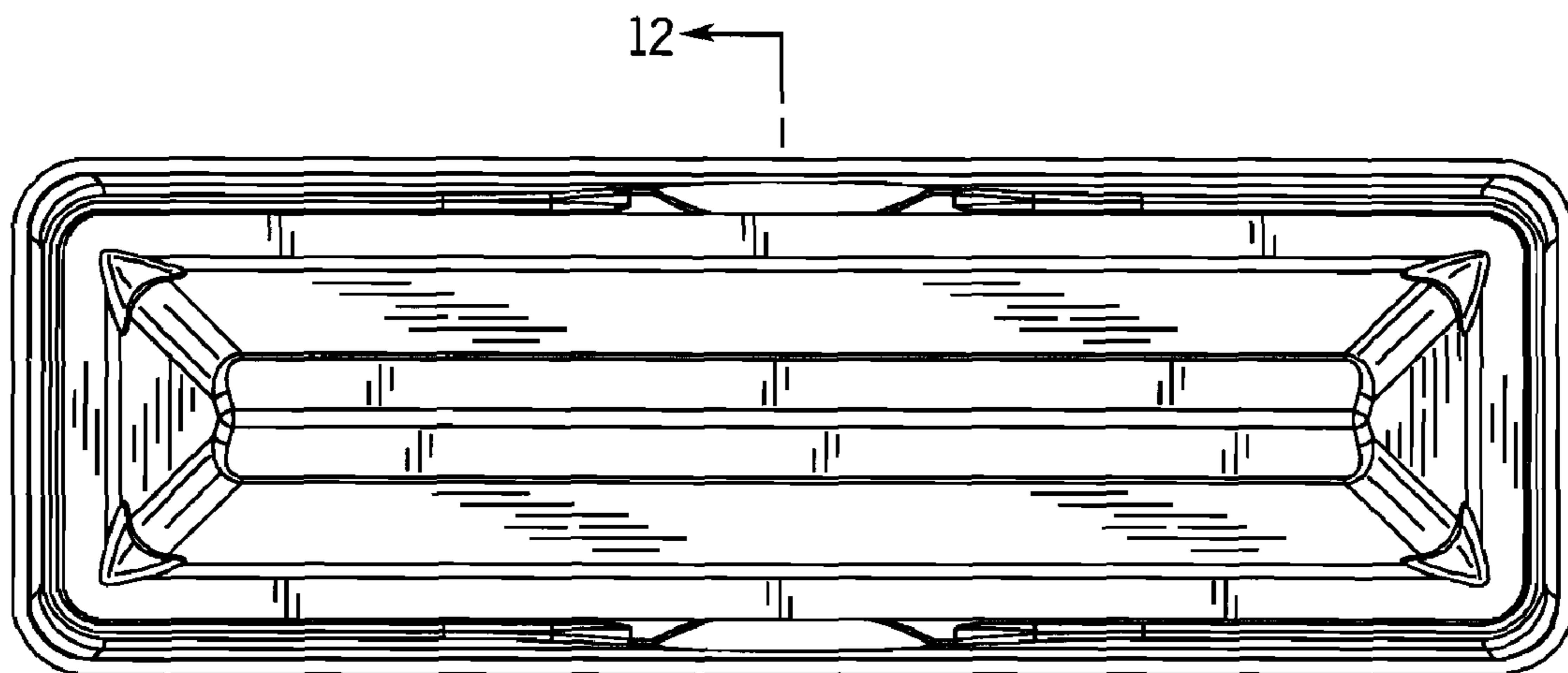


FIG. 7



12 ←

12 ←

FIG. 8

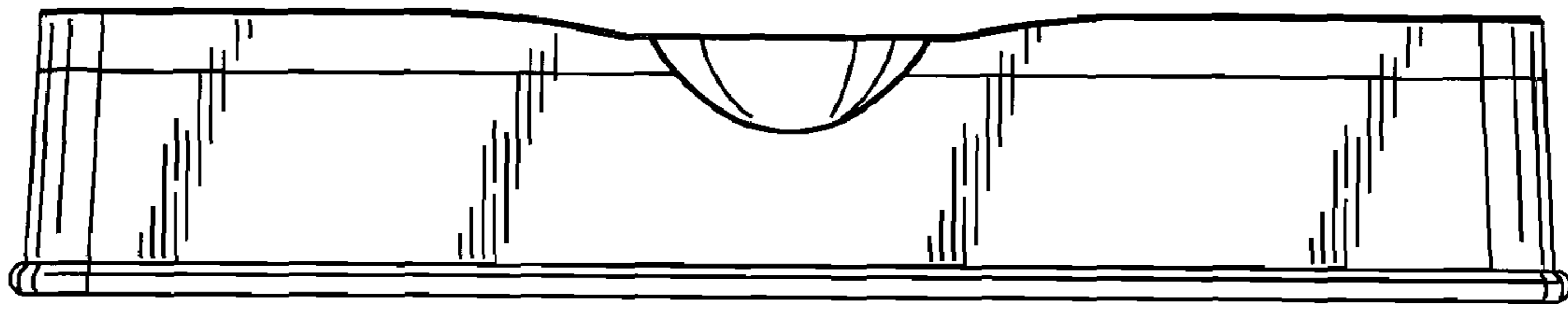


FIG. 9

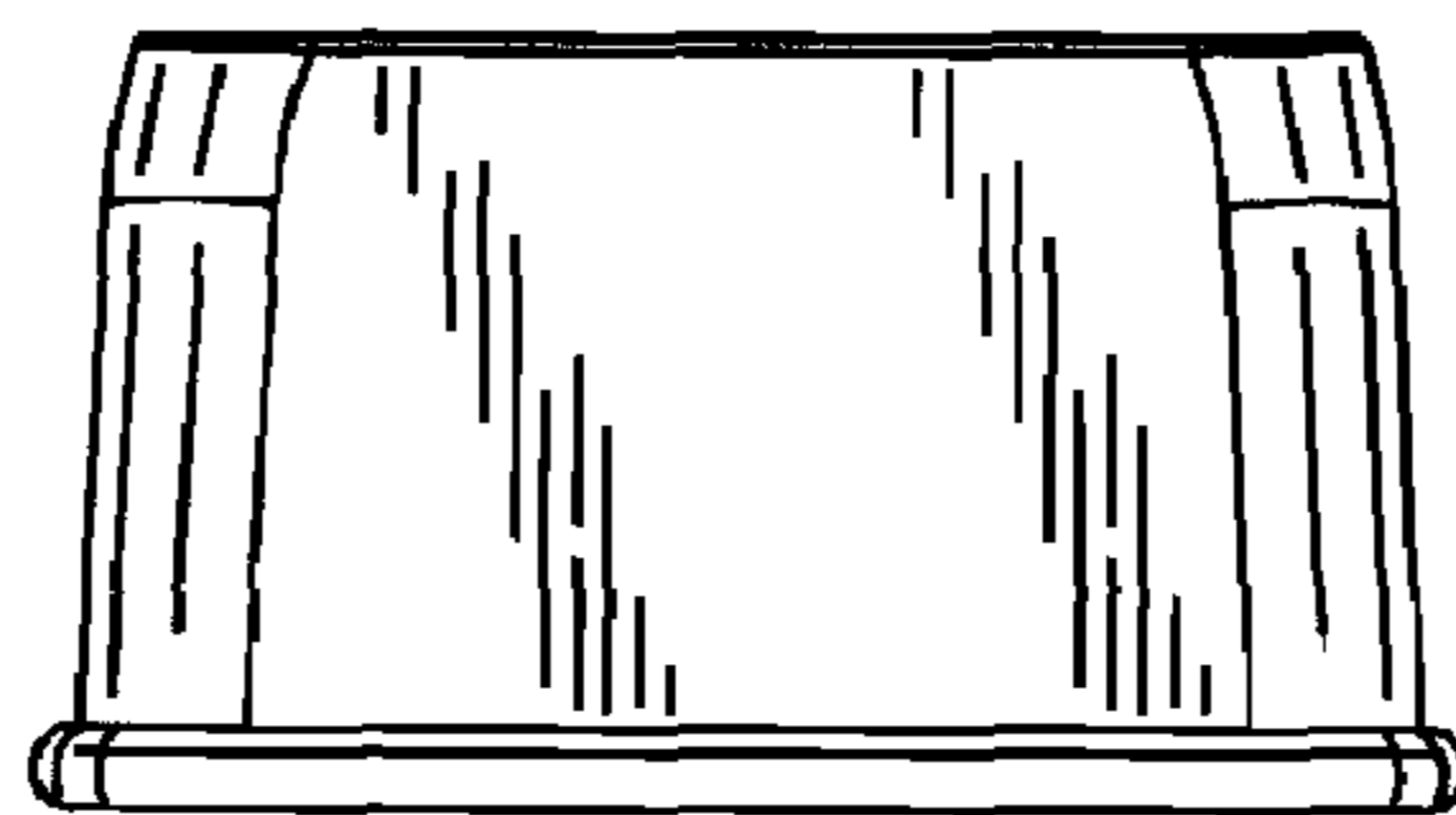


FIG. 10

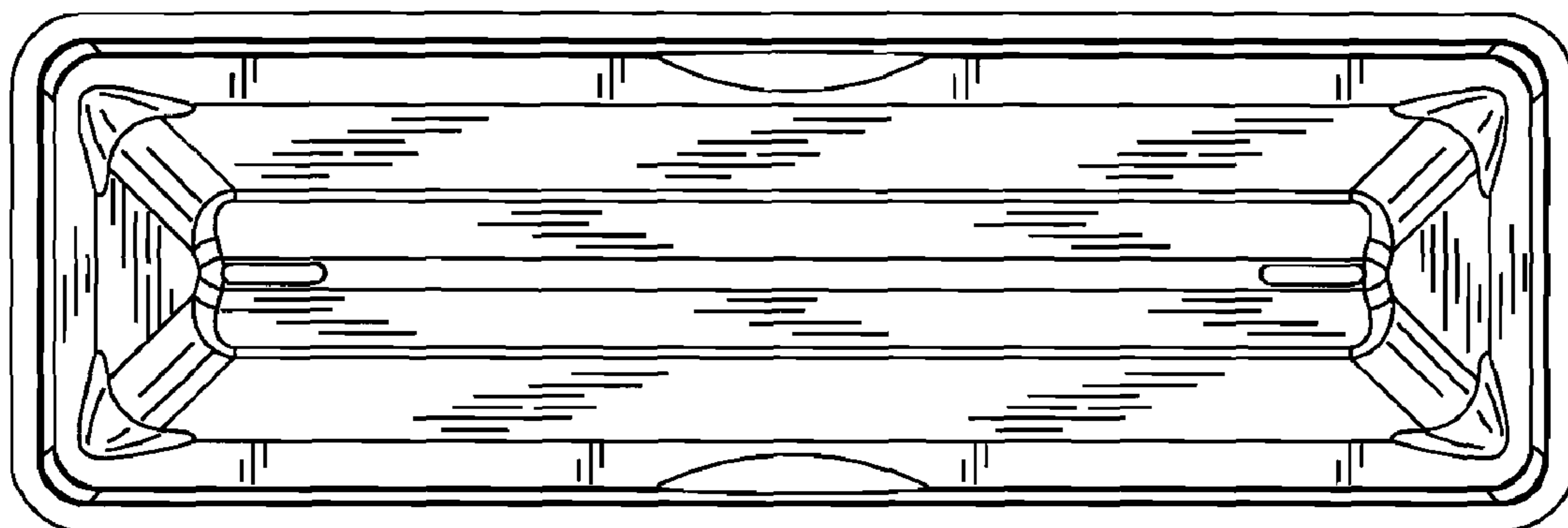


FIG. 11

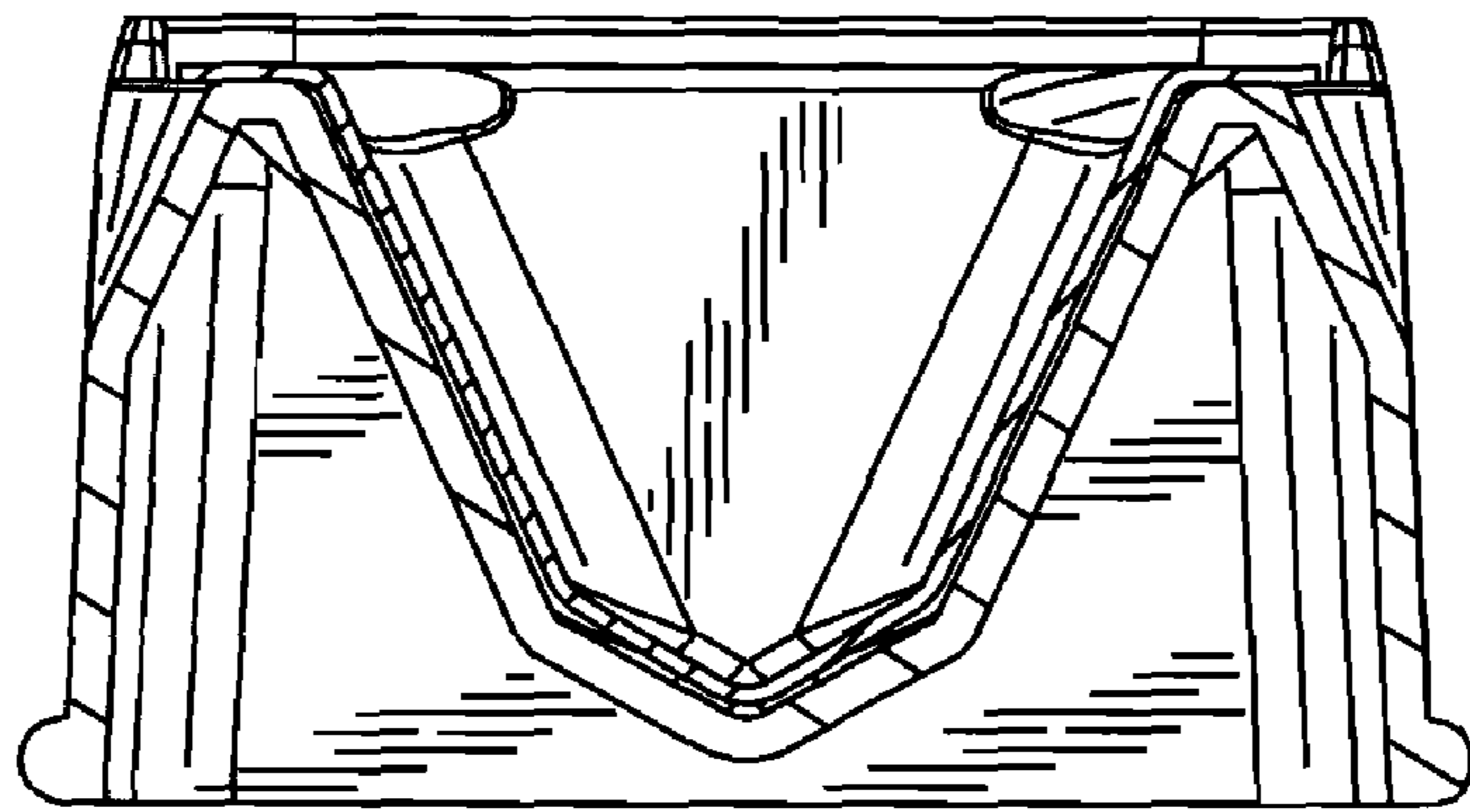


FIG. 12