



US00D599028S

(12) **United States Design Patent**
Schofield

(10) **Patent No.:** **US D599,028 S**

(45) **Date of Patent:** **** Aug. 25, 2009**

(54) **NIPPLE FOR FEEDING BOTTLE**

(75) Inventor: **Paul Schofield**, Cramlington (GB)

(73) Assignee: **Jackel International Limited**,
Cramlington, Northumberland (GB)

(**) Term: **14 Years**

(21) Appl. No.: **29/323,957**

(22) Filed: **Sep. 3, 2008**

(30) **Foreign Application Priority Data**

Mar. 3, 2008 (EM) 000894787-0003

(51) **LOC (9) Cl.** **24-04**

(52) **U.S. Cl.** **D24/196**

(58) **Field of Classification Search** D24/115-117,
D24/193-199; D21/405-408, 604; 606/234-236;
215/11.1-11.6

See application file for complete search history.

(56) **References Cited**

U.S. PATENT DOCUMENTS

3,627,161	A *	12/1971	Wergeland	215/11.6
D264,380	S *	5/1982	Chrones	D24/196
D309,948	S *	8/1990	Chambers	D24/197
D439,983	S *	4/2001	Dealing	D24/194
D444,239	S *	6/2001	Kobayashi et al.	D24/196
D463,567	S *	9/2002	Morano	D24/196
D464,434	S *	10/2002	Morano	D24/197
D486,579	S *	2/2004	Dunn	D24/196
2004/0026351	A1 *	2/2004	Dunn et al.	215/11.1
2004/0124168	A1 *	7/2004	Silver	215/11.1

2004/0164043 A1* 8/2004 Hakim 215/11.5
2008/0210655 A1* 9/2008 Rees et al. 215/11.5

* cited by examiner

Primary Examiner—T. Chase Nelson

Assistant Examiner—Susan E Krakower

(74) *Attorney, Agent, or Firm*—Dorsey & Whitney LLP

(57) **CLAIM**

The ornamental design for a nipple for feeding bottle, as shown and described.

DESCRIPTION

FIG. 1 is a perspective view of a nipple for feeding bottle showing my new design;

FIG. 2 is a front view of the nipple for a feeding bottle of FIG. 1;

FIG. 3 is a back view of the nipple for a feeding bottle of FIG. 1;

FIG. 4 is a right side view of the nipple for a feeding bottle of FIG. 1;

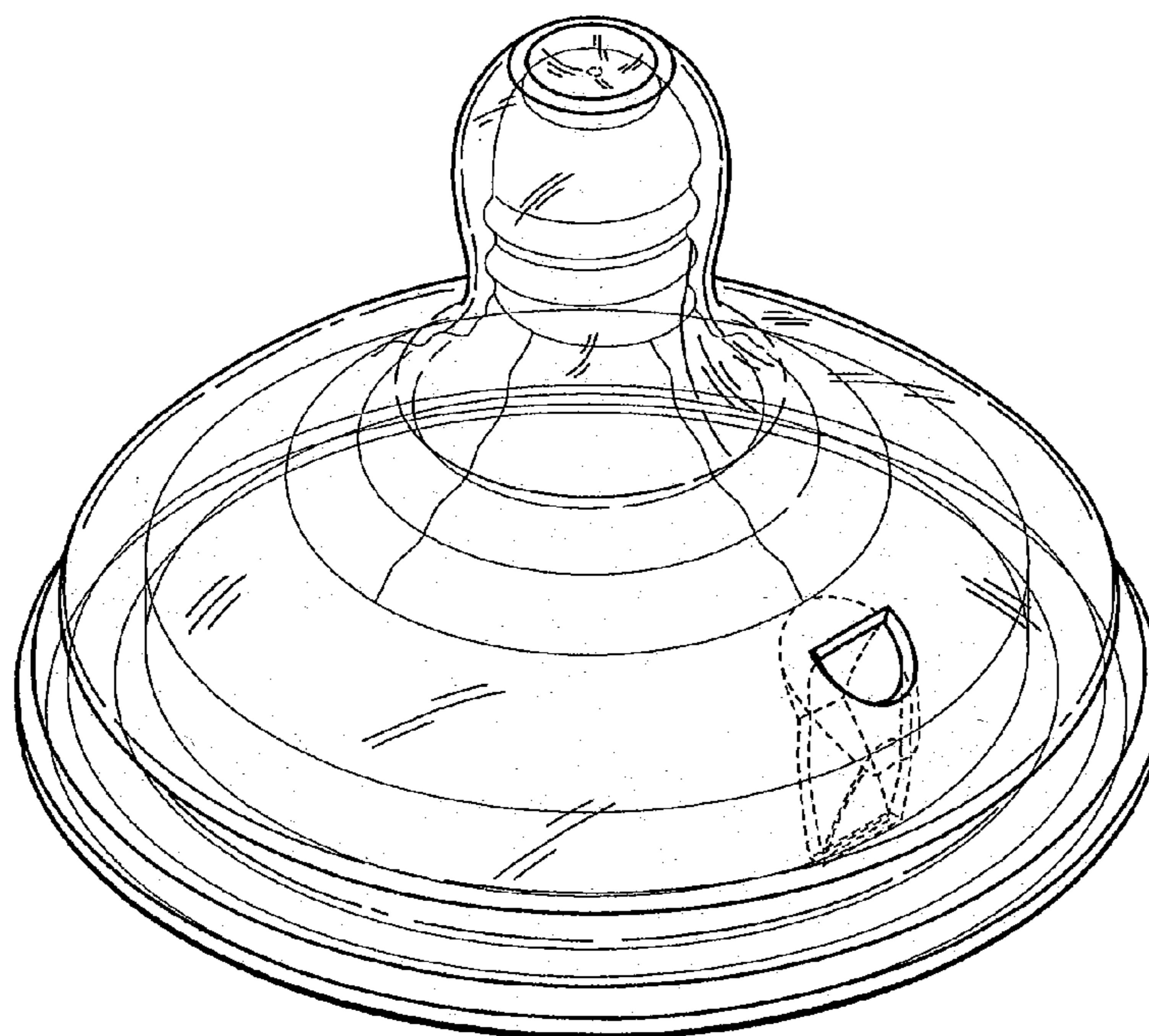
FIG. 5 is a left side view of the nipple for a feeding bottle of FIG. 1;

FIG. 6 is a top view of the nipple for a feeding bottle of FIG. 1; and,

FIG. 7 is a bottom view of the nipple for a feeding bottle of FIG. 1.

The broken lines showing a valve body illustrates an environmental element of the nipple for feeding bottle and forms no part of the claimed design.

1 Claim, 5 Drawing Sheets



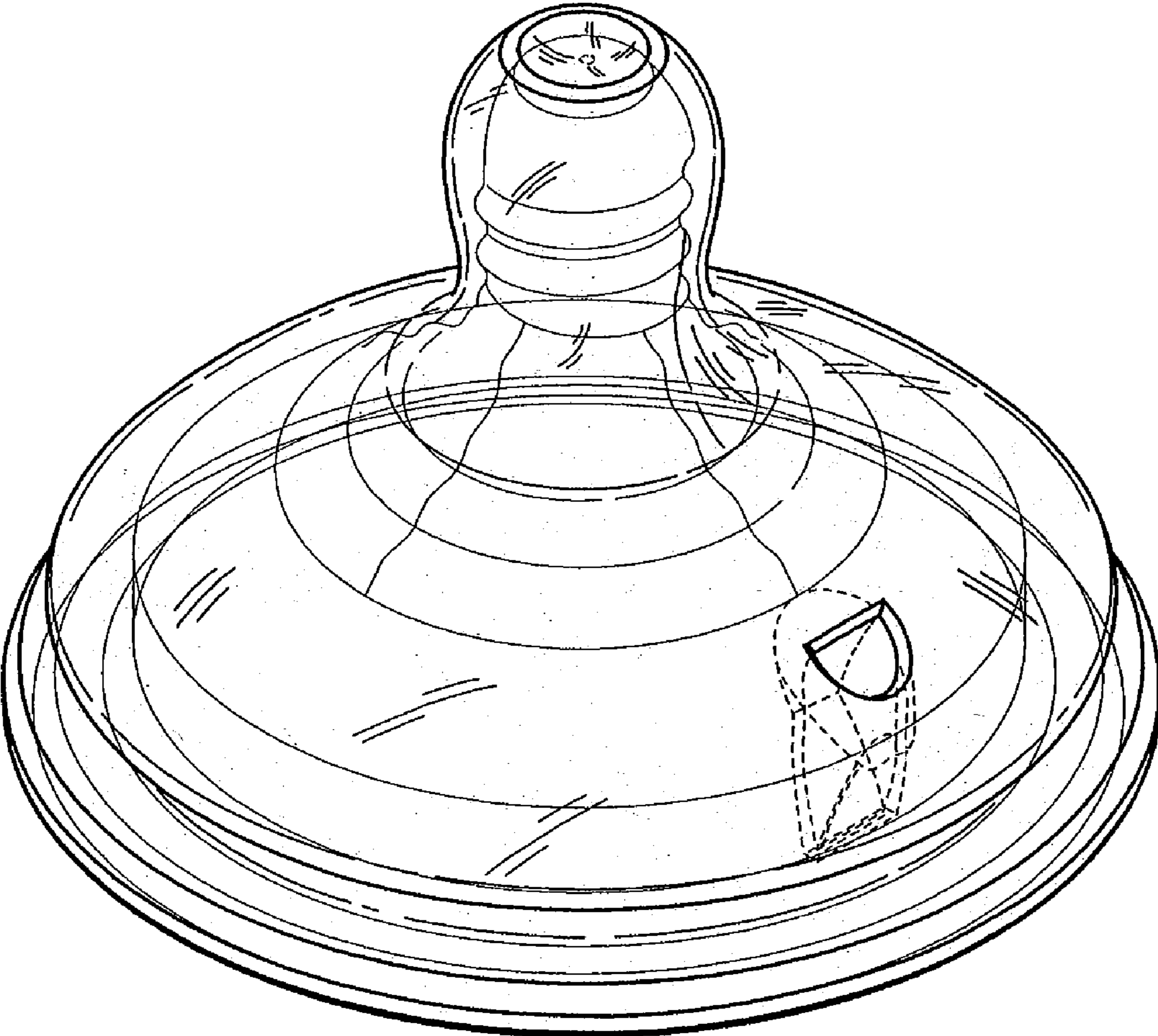


FIG.1

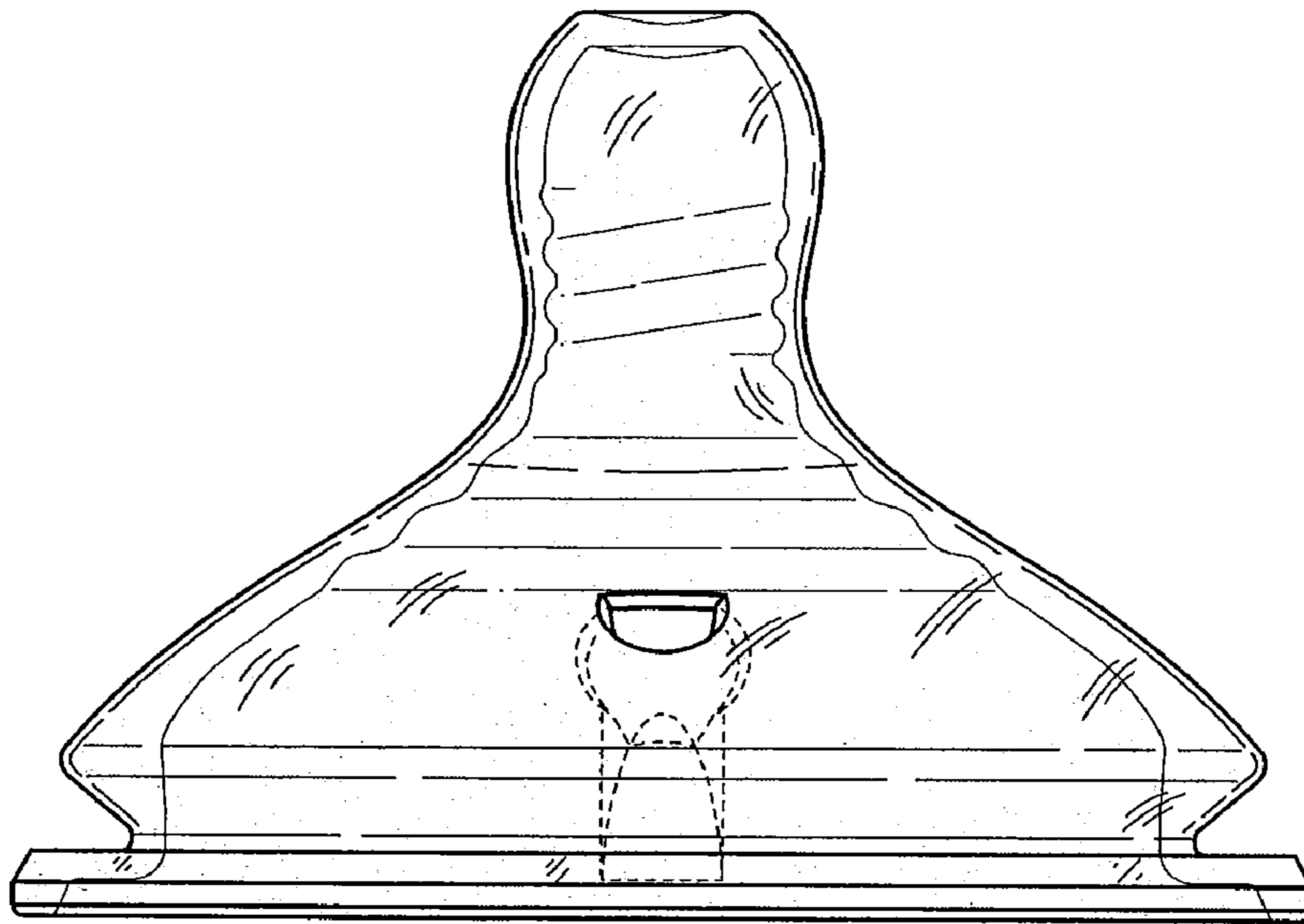


FIG. 2

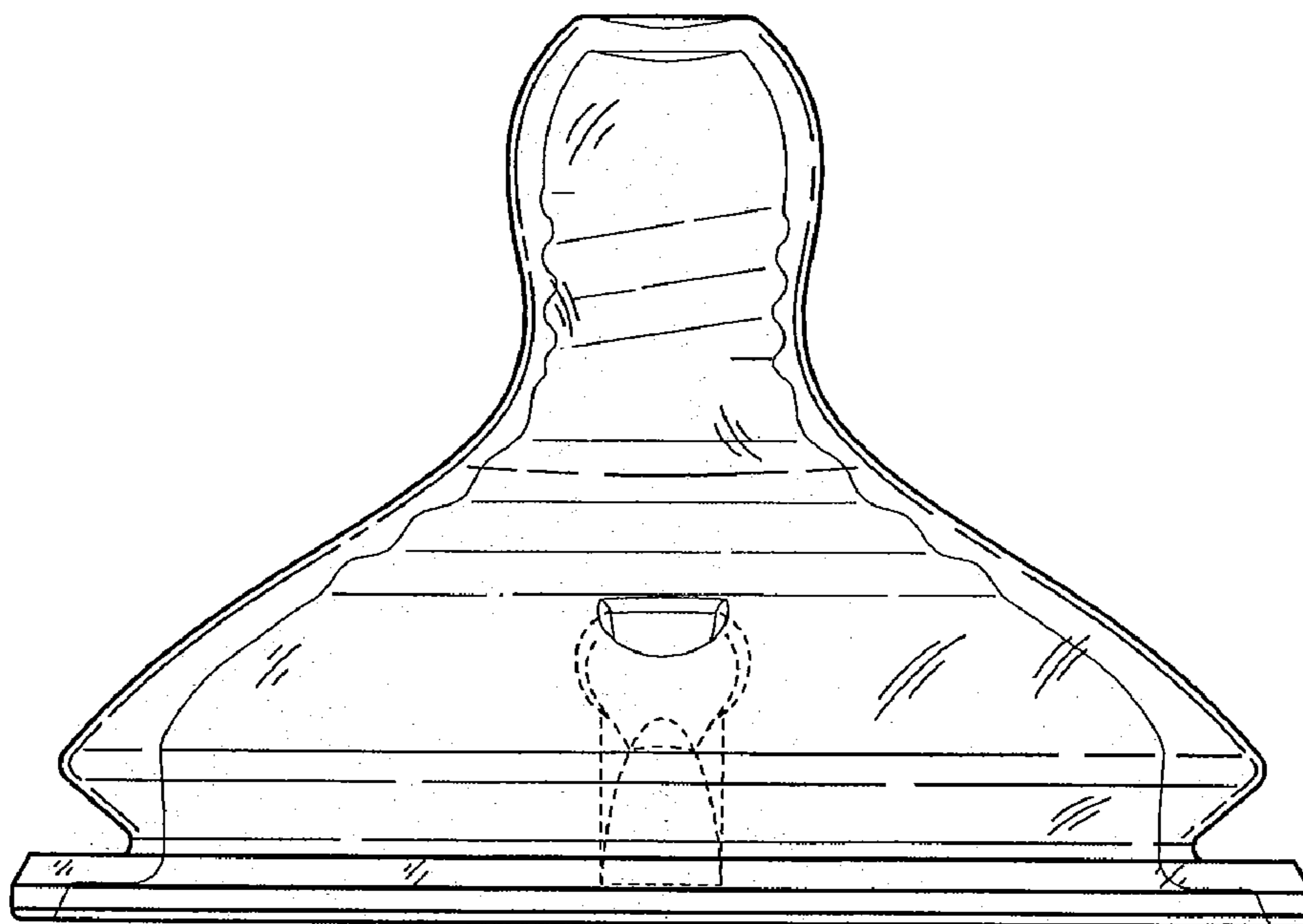


FIG. 3

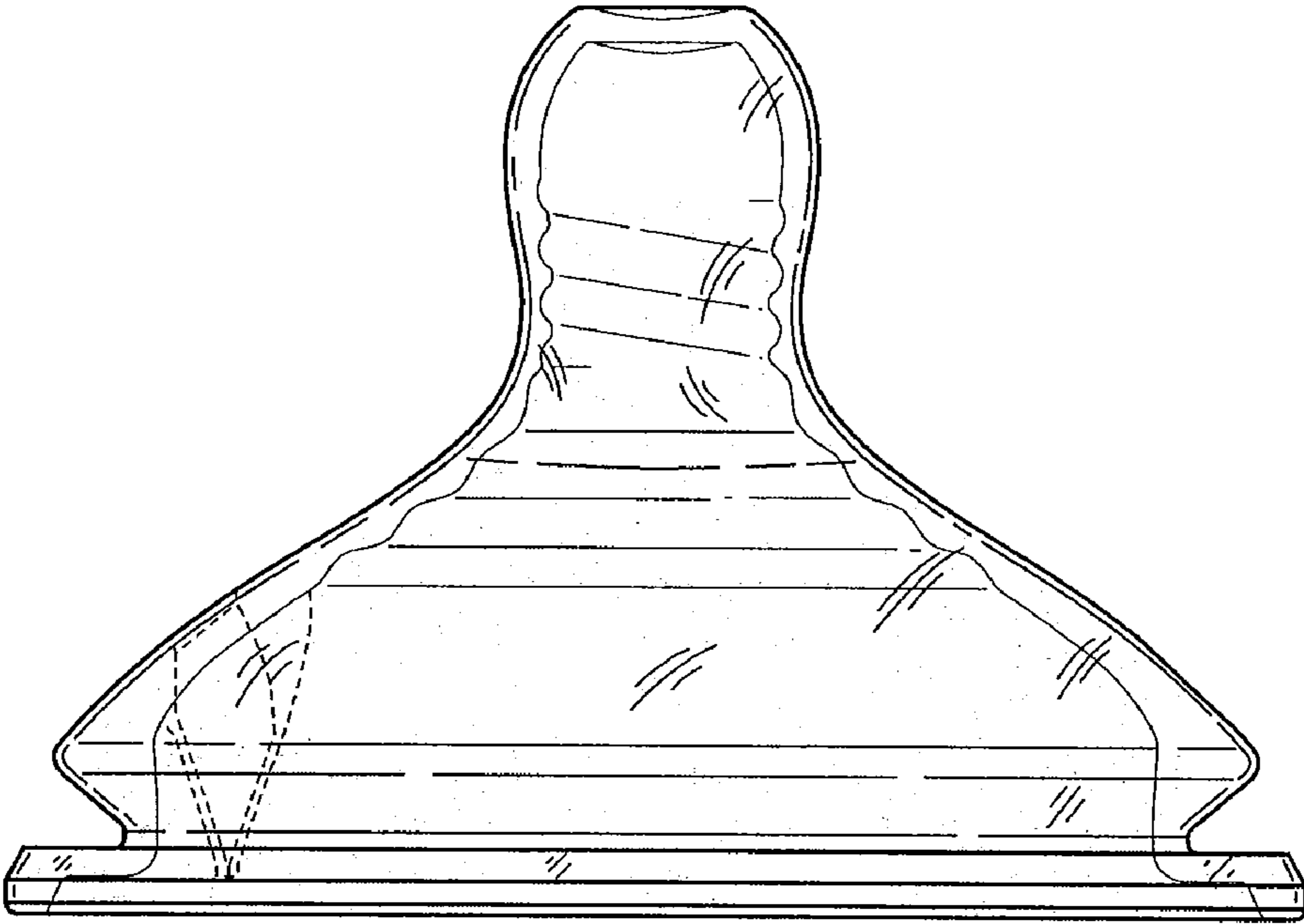


FIG. 4

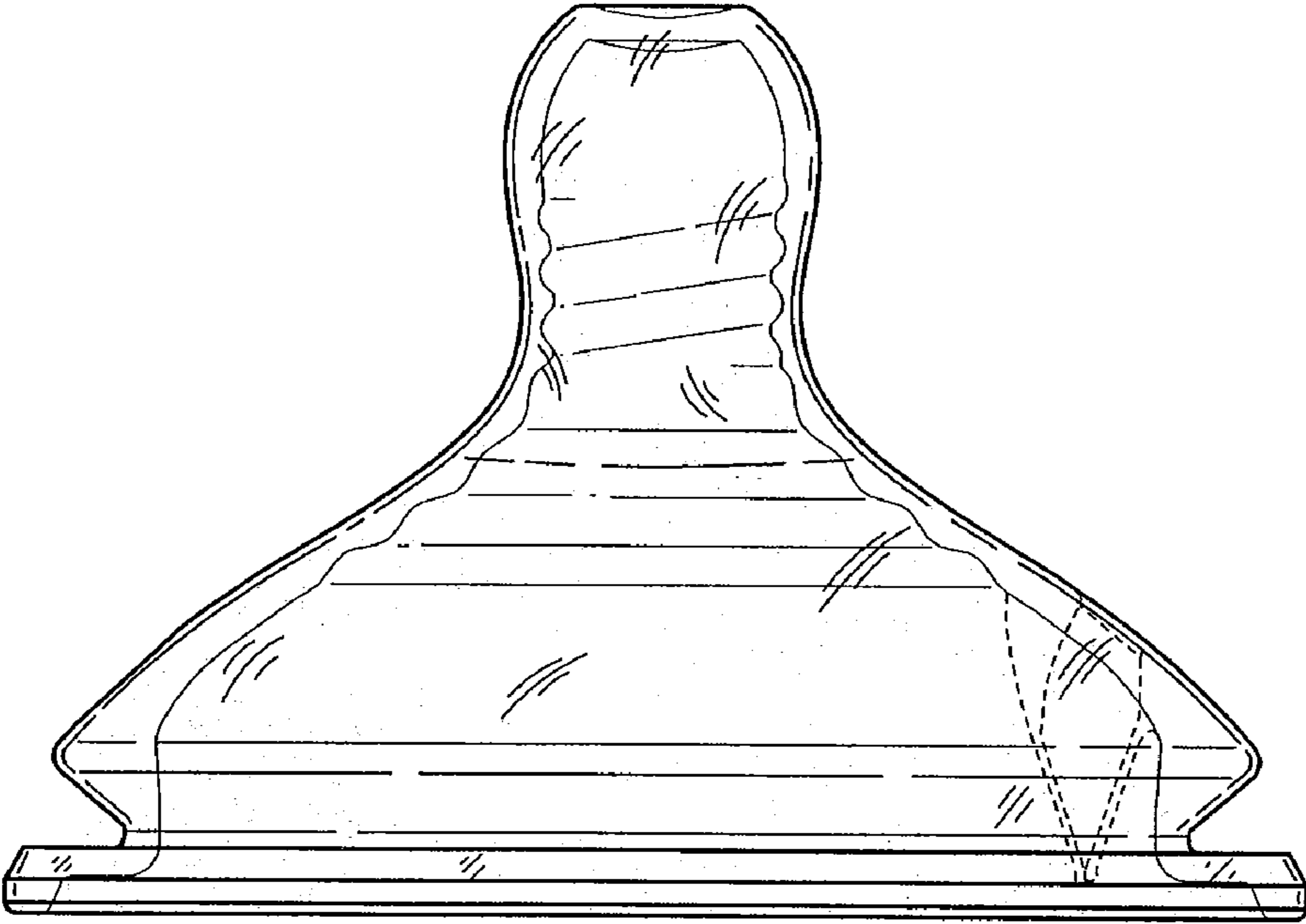


FIG. 5

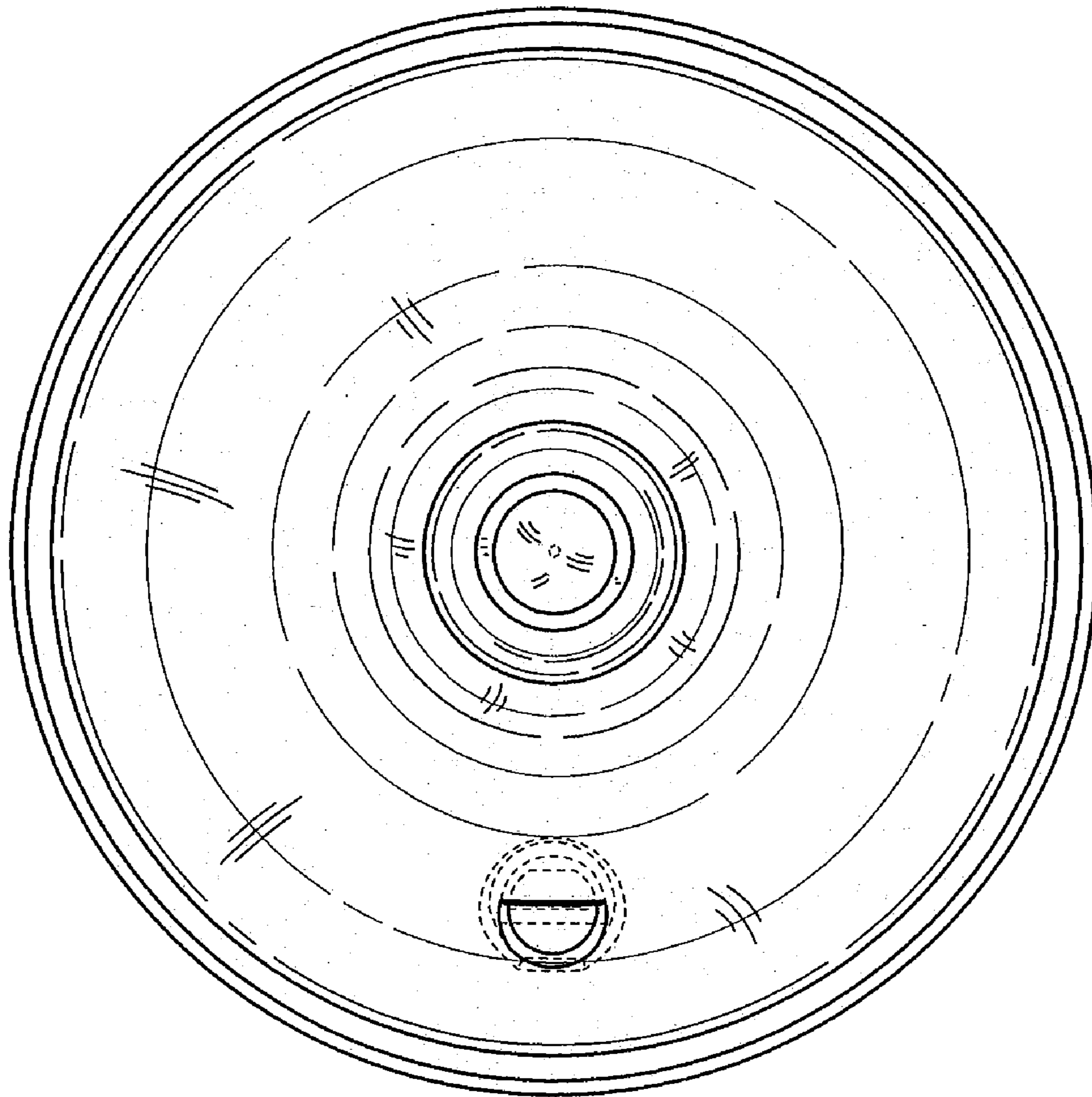


FIG.6

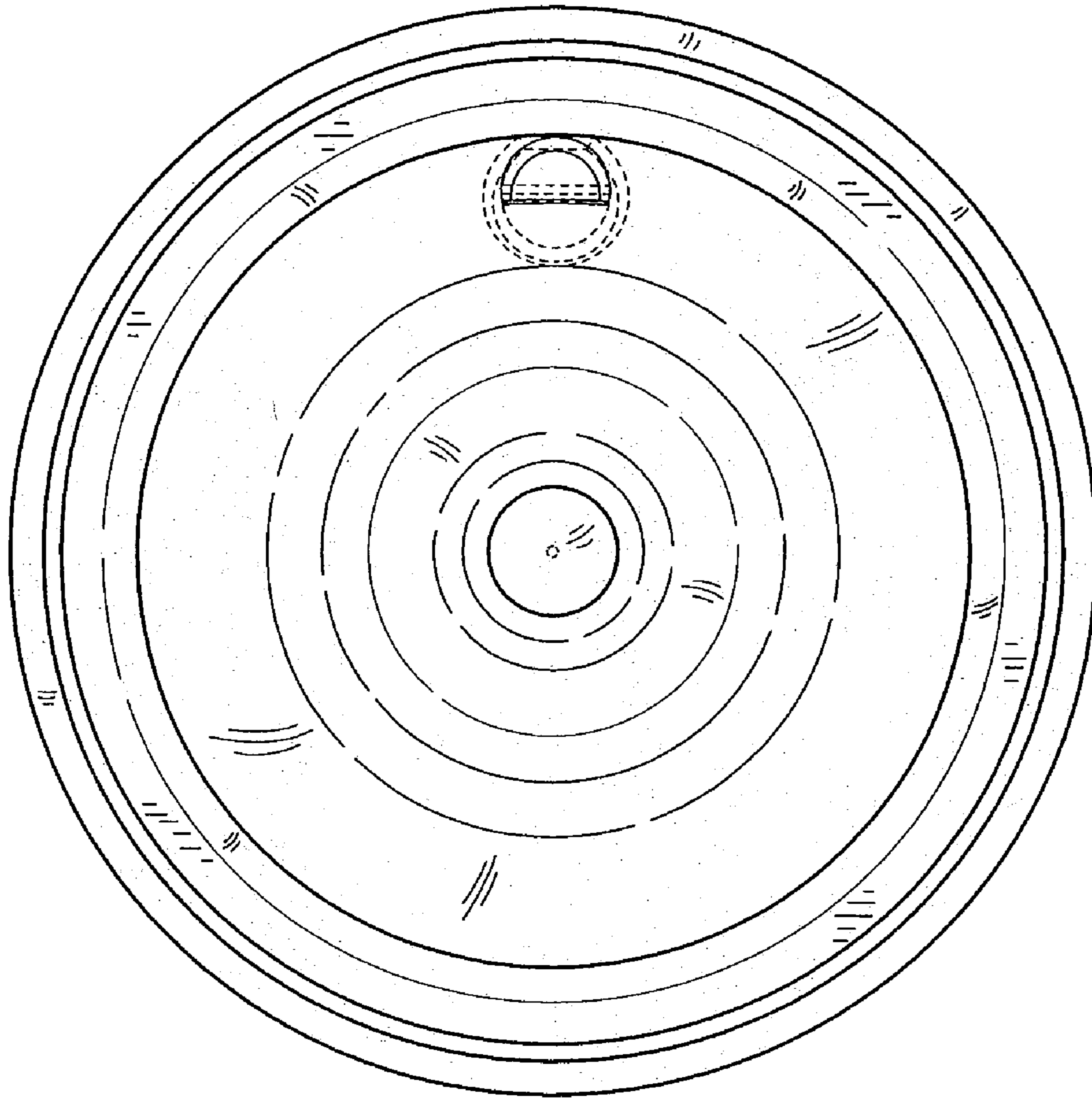


FIG.7