

US00D599023S

(12) **United States Design Patent**
Huffman

(10) **Patent No.:** **US D599,023 S**

(45) **Date of Patent:** **** Aug. 25, 2009**

(54) **OPPOSING DENTAL MODEL BASE QUADRANT**

(76) Inventor: **Ronald E. Huffman**, P.O. Box 68440,
Oro Valley, AZ (US) 85737

(**) Term: **14 Years**

(21) Appl. No.: **29/323,426**

(22) Filed: **Aug. 26, 2008**

Related U.S. Application Data

(63) Continuation of application No. 29/266,979, filed on Oct. 2, 2006, now Pat. No. Des. 575,873, which is a continuation of application No. 29/230,408, filed on Jun. 10, 2005, now Pat. No. Des. 529,614.

(51) **LOC (9) Cl.** **24-02**

(52) **U.S. Cl.** **D24/181**

(58) **Field of Classification Search** D24/155-157,
D24/133, 107, 180, 181, 182; 128/848, 859;
602/902; 623/1.13-1.17, 44, 16.11, 17.11;
604/1.02; 433/141.1, 121; 81/119
See application file for complete search history.

(56) **References Cited**

U.S. PATENT DOCUMENTS

603,803 A	5/1898	White
921,791 A	5/1909	Benson
967,086 A	8/1910	Tuttle
1,013,028 A	12/1911	Lee
1,314,223 A	8/1919	Sorensen
1,745,570 A	2/1930	Dimelow
1,772,027 A	8/1930	Baumgarten
1,780,117 A	10/1930	Craig
2,031,996 A	2/1936	Zelesnick
2,037,344 A	4/1936	Schwartz
2,234,411 A	3/1941	McDonald
2,376,384 A	5/1945	Ringle et al.
2,398,671 A	4/1946	Saffir
2,577,420 A	12/1951	Jablonski et al.

2,585,857 A	2/1952	Schwartz
2,613,440 A	10/1952	Murray et al.
2,621,407 A	12/1952	Schlesinger
2,669,780 A	2/1954	Mann
2,758,374 A	8/1956	Fisher et al.
2,765,533 A	10/1956	McMorris
2,827,899 A	3/1958	Altieri

(Continued)

FOREIGN PATENT DOCUMENTS

DE 3 436 094 A1 3/1985

(Continued)

Primary Examiner—Charles A Rademaker
(74) *Attorney, Agent, or Firm*—Holland & Hart, LLP

(57) **CLAIM**

The ornamental design for opposing dental model base quadrant, as shown and described.

DESCRIPTION

FIG. 1 is a front top perspective view of an opposing dental model base quadrant showing my new design;

FIG. 2 is a rear top perspective view of thereof;

FIG. 3 is a front bottom perspective view thereof;

FIG. 4 is a rear bottom perspective view thereof;

FIG. 5 is a top view thereof;

FIG. 6 is a bottom view thereof;

FIG. 7 is a front view thereof;

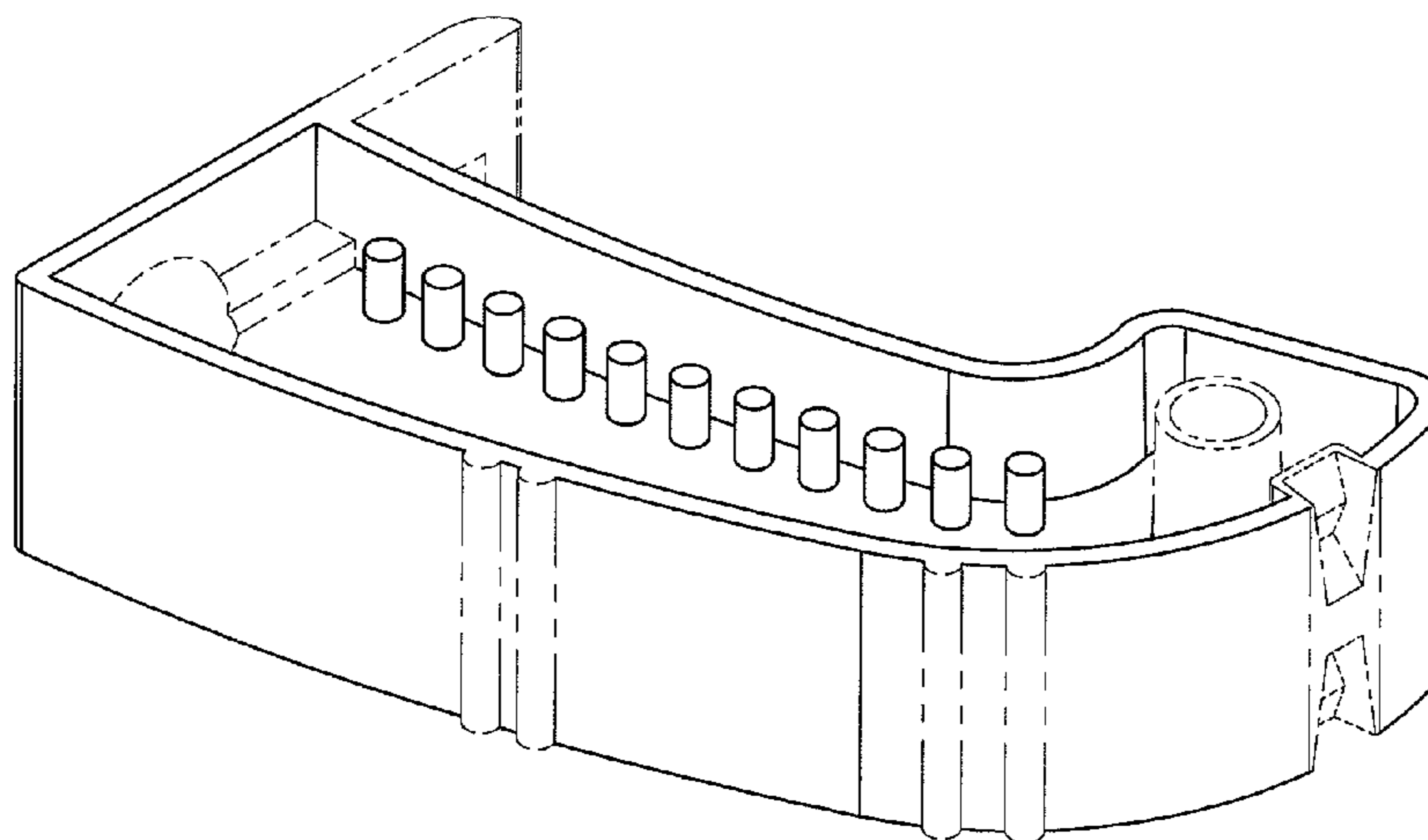
FIG. 8 is a rear view thereof;

FIG. 9 is a left side view thereof; and,

FIG. 10 is a right side view thereof.

The portions of the article in broken lines are shown for illustrative purposes only and form no part of the claimed design.

1 Claim, 4 Drawing Sheets



U.S. PATENT DOCUMENTS							
			4,708,835	A	11/1987	Kiefer	
2,842,845	A	7/1958	Carlson	4,721,464	A	1/1988	Roden et al.
2,963,786	A	12/1960	Browning	4,734,033	A	3/1988	Huffman
3,150,448	A	9/1964	Wozar	D295,314	S	4/1988	Kwok
3,236,235	A	2/1966	Jacobs	4,767,330	A	8/1988	Burger
3,247,844	A	4/1966	Berghash	4,767,331	A	8/1988	Hoe
D210,278	S	2/1968	White	4,786,253	A	11/1988	Morais
3,416,527	A	12/1968	Hoef	4,834,651	A	5/1989	Fenick
3,453,736	A	7/1969	Waltke	4,842,242	A	6/1989	Huffman
3,461,562	A	8/1969	Cooper	D302,456	S	7/1989	Huffman
3,478,428	A	11/1969	Stengel	D302,587	S	8/1989	Huffman
3,510,947	A	5/1970	Tuccillo	D302,724	S	8/1989	Huffman
3,518,761	A	7/1970	Susman et al.	D302,725	S	8/1989	Huffman
3,552,018	A	1/1971	Zahn	4,865,546	A	9/1989	Naylor
3,581,398	A	6/1971	Thomas	RE33,099	E	10/1989	Shoher et al.
3,650,032	A	3/1972	Kestler	4,886,453	A	12/1989	Ludwigs
3,753,291	A	8/1973	Bocian et al.	D305,361	S	1/1990	Huffman
3,815,236	A	6/1974	Cooper	D305,362	S	1/1990	Huffman
3,832,777	A	9/1974	Tinder	D306,206	S	2/1990	Huffman
3,913,290	A	10/1975	Weiss	4,898,359	A	2/1990	Gopon
3,934,348	A	1/1976	Janjic	4,917,347	A	4/1990	Fenick
3,937,773	A	2/1976	Huffman	RE33,271	E	7/1990	Shoher et al.
3,947,964	A	4/1976	Lee	4,940,409	A	7/1990	Nordin
3,969,820	A	7/1976	Kulig et al.	4,980,124	A	12/1990	Dimmer
4,021,916	A	5/1977	Spalten	D315,209	S	3/1991	Mann
4,022,419	A	5/1977	Haker	D315,955	S	4/1991	Mann
4,116,416	A	9/1978	Segura	5,015,182	A	5/1991	Newberry
4,122,606	A	10/1978	Roman	5,028,235	A	7/1991	Smith
4,127,939	A	12/1978	Samuel et al.	5,044,949	A	9/1991	Xanthopoulos
4,174,570	A	11/1979	Schwartz	5,049,075	A	9/1991	Barrut
4,203,219	A	5/1980	Wiener	5,076,789	A	12/1991	Tanaka
D257,387	S	10/1980	Skarky	D323,559	S	1/1992	Shafer
4,229,167	A	10/1980	Kikuchi et al.	5,098,290	A	3/1992	Honstein et al.
4,240,605	A	12/1980	Waltke	5,100,317	A	3/1992	Darnand
4,242,812	A	1/1981	Randoll et al.	5,197,874	A	3/1993	Silva et al.
4,265,619	A	5/1981	Lucki et al.	5,207,574	A	5/1993	Garland
4,283,173	A	8/1981	Browne et al.	5,352,117	A	10/1994	Silva
4,301,357	A	11/1981	Huffman	5,393,227	A	2/1995	Nooning
4,319,875	A	3/1982	Beckwith	5,403,185	A	4/1995	Presswood
4,359,464	A	11/1982	Weinstock	5,466,152	A	11/1995	Walter
4,371,339	A	2/1983	Zeiser	5,470,231	A	11/1995	Stern
4,378,929	A	4/1983	Huffman	5,501,600	A	3/1996	Johnson
4,382,787	A	5/1983	Huffman	5,586,884	A	12/1996	Kraus
4,398,884	A	8/1983	Huffman	5,622,497	A	4/1997	Cho
4,403,961	A	9/1983	Gurney	5,645,425	A	7/1997	Callne
4,436,511	A	3/1984	Mitchell, Sr.	5,722,828	A	3/1998	Halstrom
4,439,151	A	3/1984	Whelan	5,766,007	A	6/1998	Huffman
4,443,192	A	4/1984	Blitz	5,769,634	A	6/1998	Choi
4,449,930	A	5/1984	Huffman	5,775,899	A	7/1998	Huffman
4,449,931	A	5/1984	Saito	5,788,489	A	8/1998	Huffman
4,459,110	A	7/1984	Jackson	5,788,490	A	8/1998	Huffman
4,460,338	A	7/1984	Mercer et al.	5,800,166	A	9/1998	Huffman
4,473,353	A	9/1984	Greggs	5,807,099	A	9/1998	Johnson
4,481,162	A	11/1984	Huffman	5,868,138	A	2/1999	Halstrom
4,494,934	A	1/1985	Huffman	5,868,569	A	2/1999	Huffman
4,504,226	A	3/1985	Gordon	D408,919	S	4/1999	Cooley
D278,274	S	4/1985	Levine	5,934,901	A	8/1999	Huffman
4,521,188	A	6/1985	Metzler	5,970,981	A	10/1999	Ochel
4,533,323	A	8/1985	Huffman	5,996,963	A	12/1999	Michael
4,538,987	A	9/1985	Weissman	6,033,221	A	3/2000	Tsubota et al.
4,548,581	A	10/1985	Huffman	D429,815	S	8/2000	Huffman
D283,541	S	4/1986	Huffman	D430,672	S	9/2000	Huffman
D283,542	S	4/1986	Huffman	D433,136	S	10/2000	Huffman
D283,639	S	4/1986	Huffman	D433,754	S	11/2000	Huffman
D283,730	S	5/1986	Huffman	6,149,428	A	11/2000	Mogensen
4,608,016	A	8/1986	Zeiser	6,186,781	B1	2/2001	Iba
D286,179	S	10/1986	Huffman	6,193,511	B1	2/2001	Hudson
D286,436	S	10/1986	Huffman	6,234,794	B1	5/2001	Ozaki
4,645,454	A	2/1987	Amdur et al.	D443,363	S	6/2001	Huffman
D289,924	S	5/1987	Huffman	D444,559	S	7/2001	Huffman
4,671,770	A	6/1987	Bell et al.	D452,009	S	12/2001	Huffman
4,708,648	A	11/1987	Weissman	D452,010	S	12/2001	Huffman
				D452,319	S	12/2001	Huffman

US D599,023 S

Page 3

D452,320 S	12/2001	Huffman	7,341,451 B2	3/2008	Huffman	
D452,321 S	12/2001	Huffman	7,347,689 B2	3/2008	Huffman	
D452,322 S	12/2001	Huffman	D566,281 S	4/2008	Huffman	
D452,566 S	12/2001	Huffman	D567,380 S	4/2008	Huffman	
D452,567 S	12/2001	Huffman	D571,919 S *	6/2008	Kwon et al. D24/181
D452,568 S	12/2001	Huffman	D753,712	7/2008	Huffman	
6,364,661 B1	4/2002	Brattesani	D575,404 S	8/2008	Huffman	
D456,902 S	5/2002	Huffman	D575,873 S	8/2008	Huffman	
D456,903 S	5/2002	Huffman	D576,732 S	9/2008	Huffman	
D456,904 S	5/2002	Huffman	D576,733 S	9/2008	Huffman	
D457,243 S	5/2002	Huffman	D576,734 S	9/2008	Huffman	
D457,636 S	5/2002	Huffman	D582,559 S *	12/2008	Khawaled et al. D24/181
D457,637 S	5/2002	Huffman	2004/0096802 A1	5/2004	Gittleman	
D457,963 S	5/2002	Huffman	2005/0064364 A1	3/2005	Huffman	
D457,964 S	5/2002	Huffman	2005/0064365 A1	3/2005	Huffman	
6,425,759 B1	7/2002	Cronin	2006/0281043 A1	12/2006	Huffman	
D464,431 S	10/2002	Huffman	2007/0037115 A1	2/2007	Sim	
D464,432 S	10/2002	Huffman	2007/0231770 A1	10/2007	Huffman	
D464,732 S	10/2002	Huffman				
D464,733 S	10/2002	Huffman				
D465,027 S	10/2002	Huffman				
6,471,513 B1	10/2002	Huffman				
D468,018 S	12/2002	Huffman				
D468,431 S	1/2003	Huffman				
D468,432 S	1/2003	Huffman				
D469,537 S	1/2003	Huffman				
6,511,318 B2	1/2003	Kim				
D481,797 S	11/2003	Huffman				
6,726,477 B2	4/2004	Gittleman				
D491,269 S	6/2004	Tucker et al.				
6,884,068 B2	4/2005	Huffman				
6,886,566 B2	5/2005	Eubank				
6,910,888 B2	6/2005	Garland				
6,932,608 B1	8/2005	Gagliano et al.				
D512,148 S	11/2005	Kwok				
7,044,734 B2	5/2006	Huffman				
D529,177 S	9/2006	Huffman				
D529,178 S	9/2006	Huffman				
7,108,507 B2	9/2006	Huffman				
D530,014 S	10/2006	Huffman				
7,147,465 B2	12/2006	Jung et al.				
7,156,660 B2	1/2007	Huffman				
D537,987 S	3/2007	Manzo et al.				
D539,429 S *	3/2007	Wong				D24/181
7,210,931 B1	5/2007	Huffman				
D547,452 S	7/2007	Costello				
D551,767 S	9/2007	Costello				
D559,986 S	1/2008	Huffman				
7,338,283 B2	3/2008	Honstein et al.				

FOREIGN PATENT DOCUMENTS					
DE	3 505 680	A1	7/1985		
DE	3 521 137	A1	12/1986		
DE	3 825 014	A1	1/1990		
DE	295 06 480	U1	8/1995		
DE	296 13 916	U1	1/1998		
DE	4 01 05 710.0		10/2001		
EP	0 210 484	A2	2/1985		
EP	0 151 086	A2	8/1985		
EP	0 277 026	A2	8/1988		
EP	0 291 821	A1	11/1988		
EP	0 528 335	A1	2/1993		
FR	2 750 851	A1	1/1998		
FR	2 757 372	A1	6/1998		
FR	2 770 994		5/1999		
FR	653652TO653664		2/2002		
GB	866118		4/1961		
GB	886118		1/1962		
GB	2102229	A	1/1983		
GB	2105427		3/1983		
GB	1014814		2/1984		
GB	1053786		4/1989		
GB	2075293		4/1998		
GB	2101077	*	2/2001		
JP	58-147508		10/1983		
WO	WO 88/10101		12/1988		
WO	WO 97/16130		5/1997		
WO	WO 01/01881	A2	1/2001		

* cited by examiner

FIG. 1

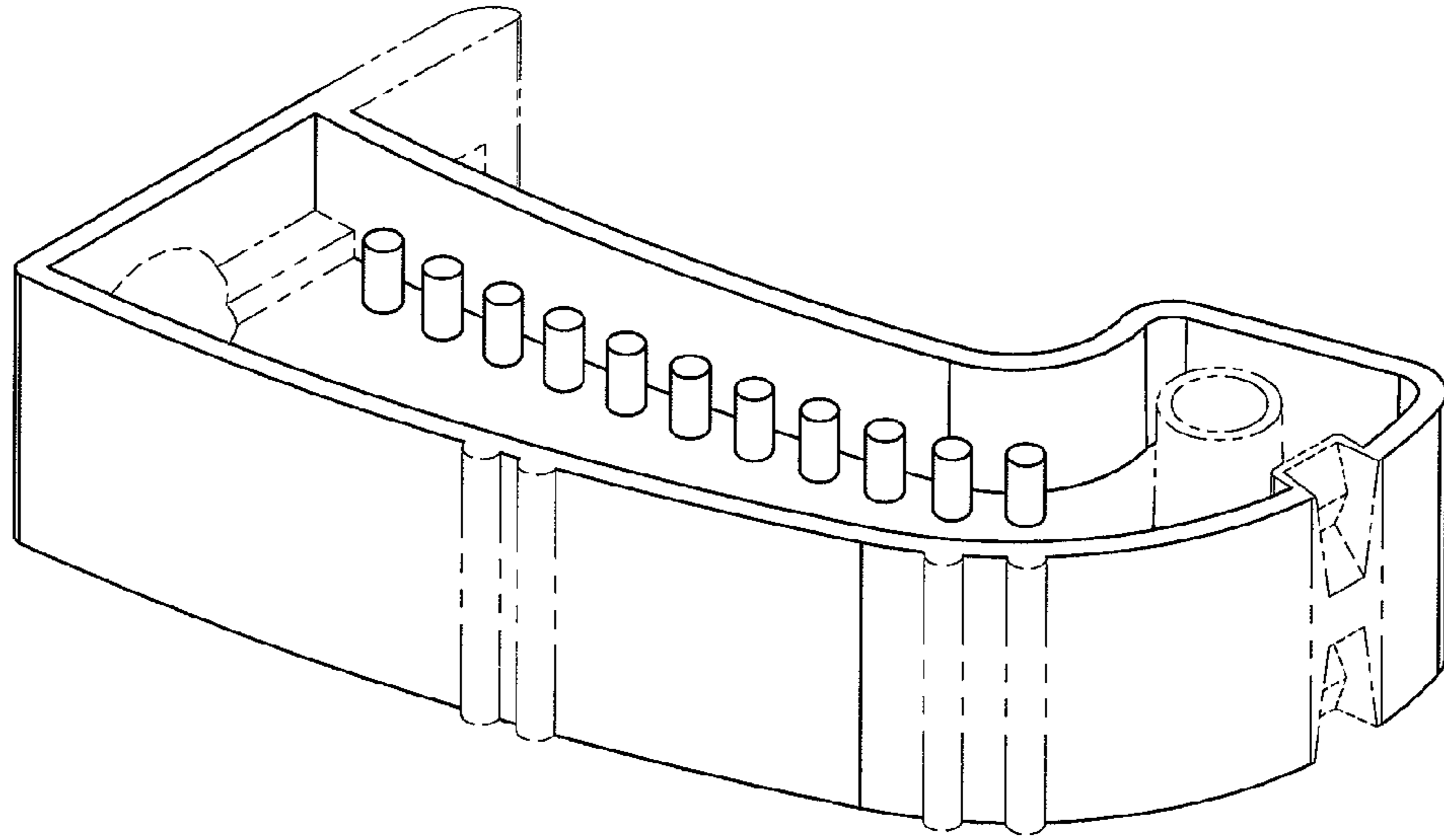


FIG. 2

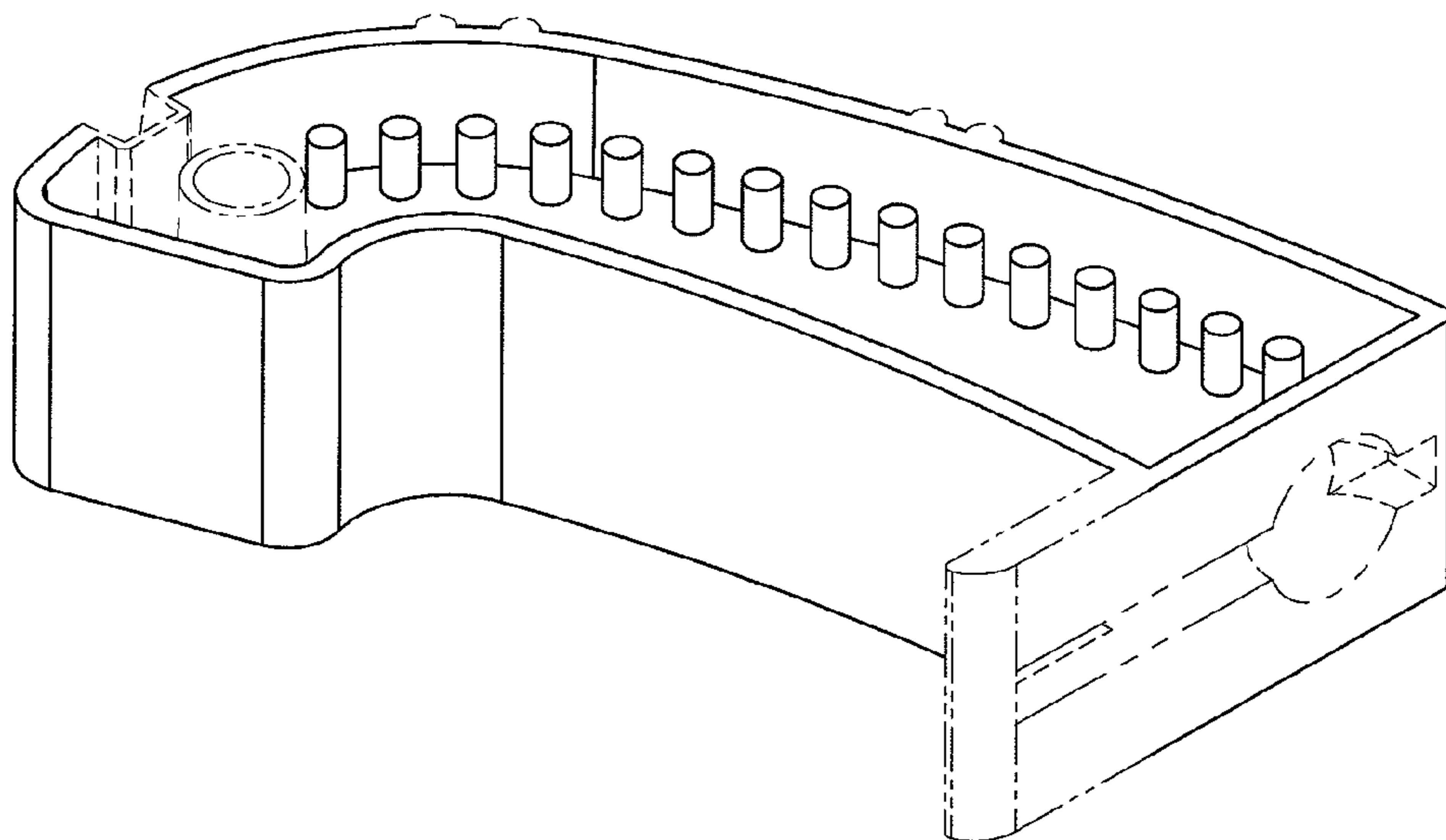


FIG. 3

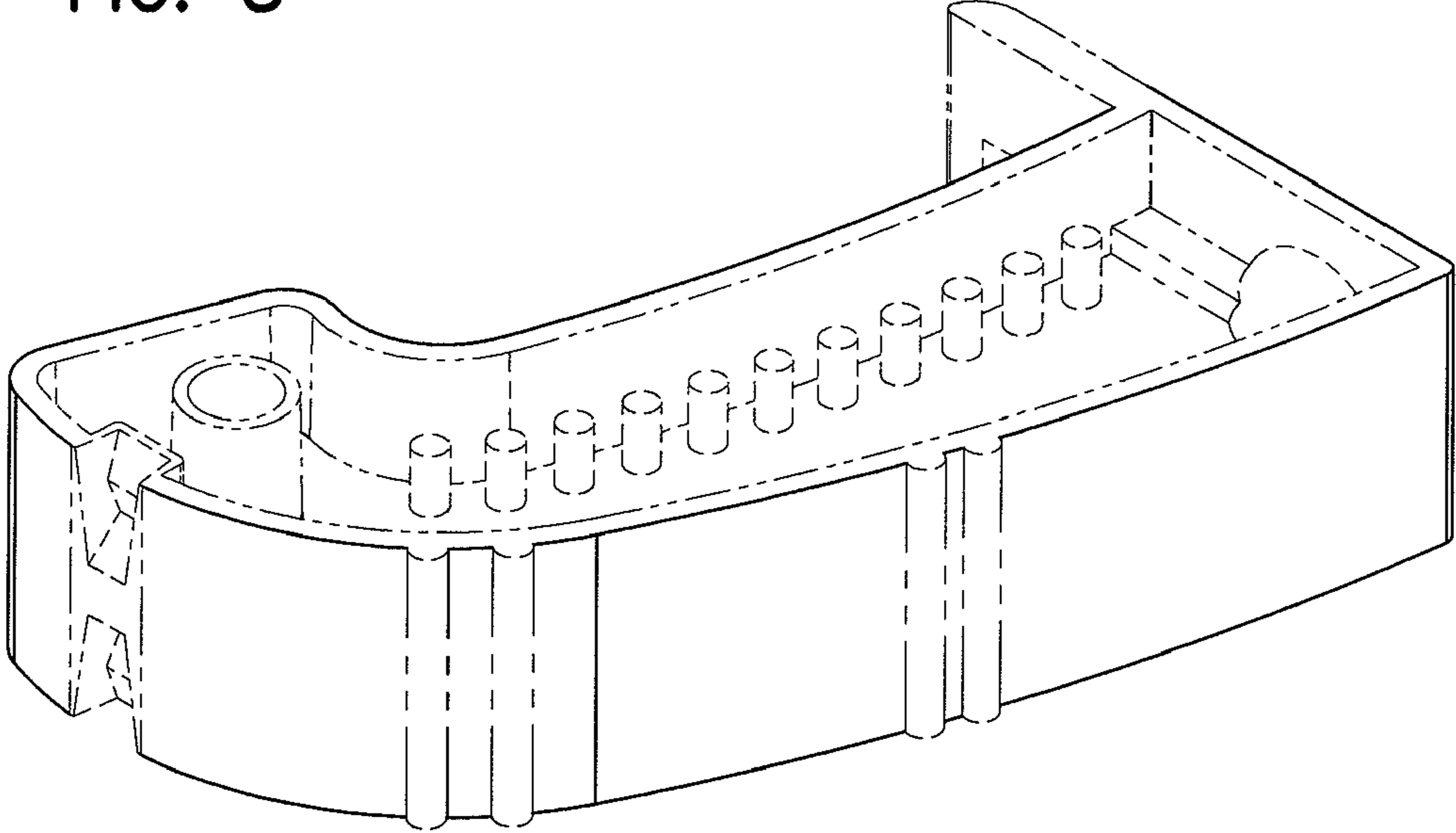


FIG. 4

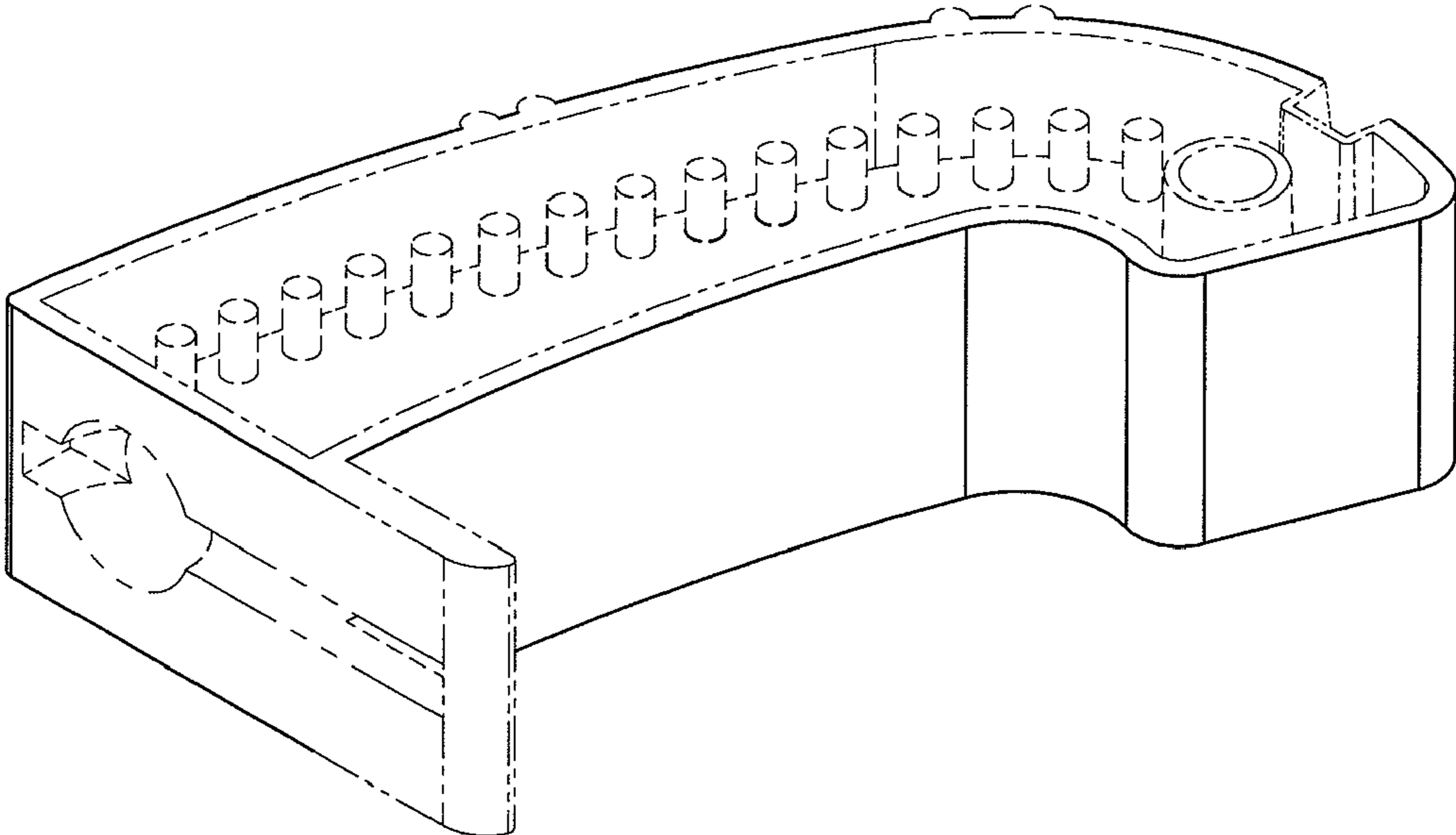


FIG. 6

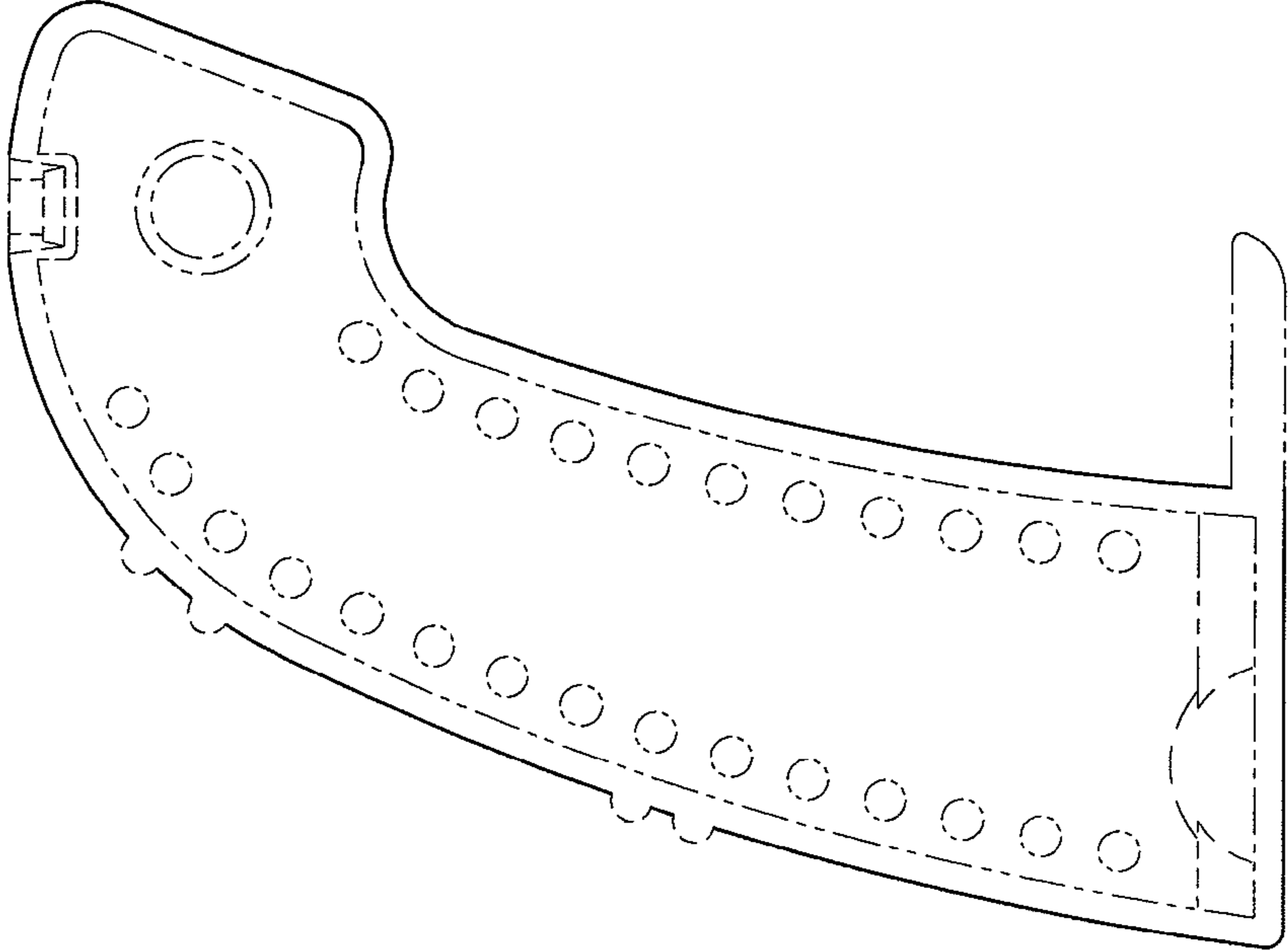


FIG. 5

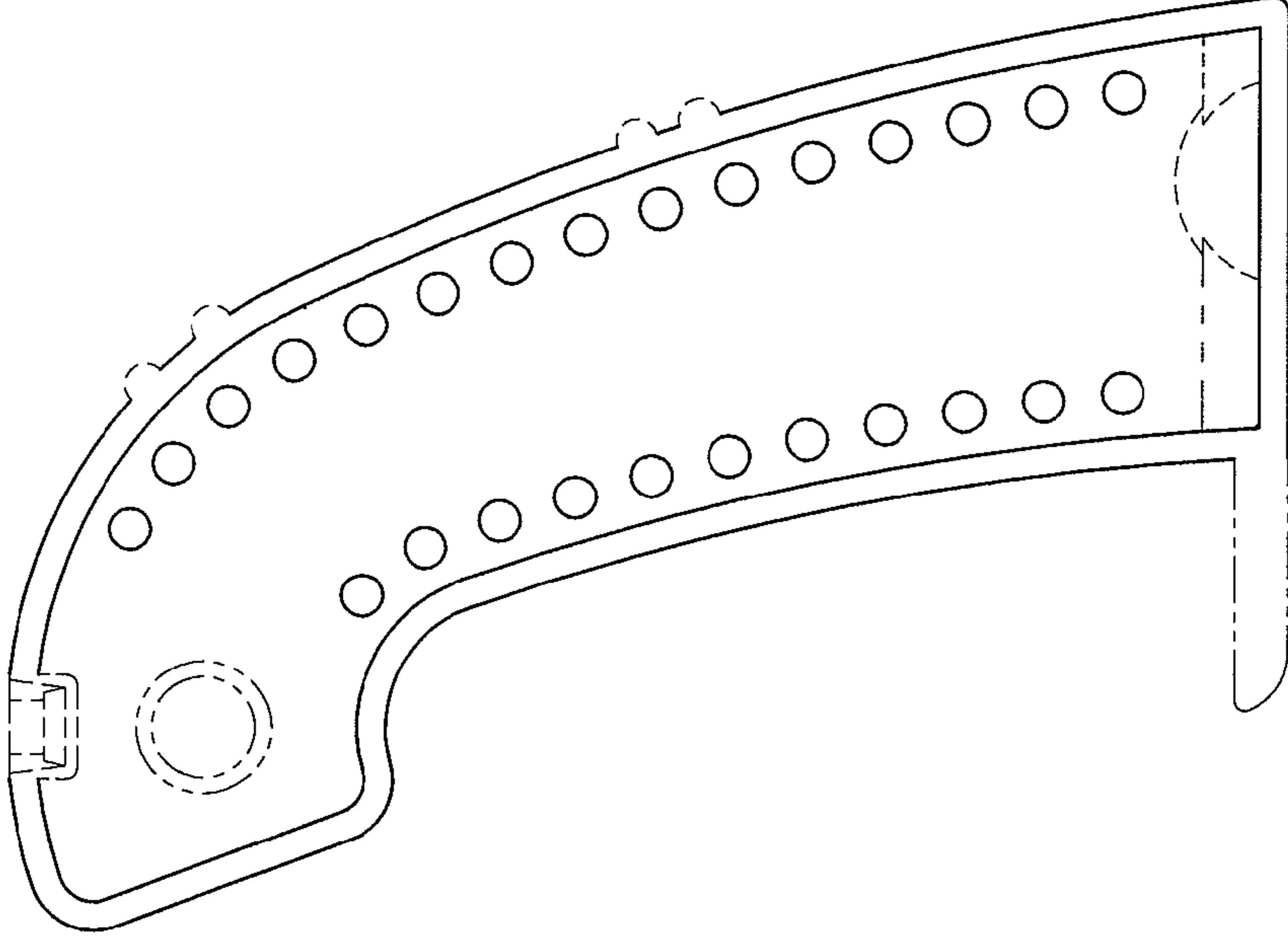


FIG. 7

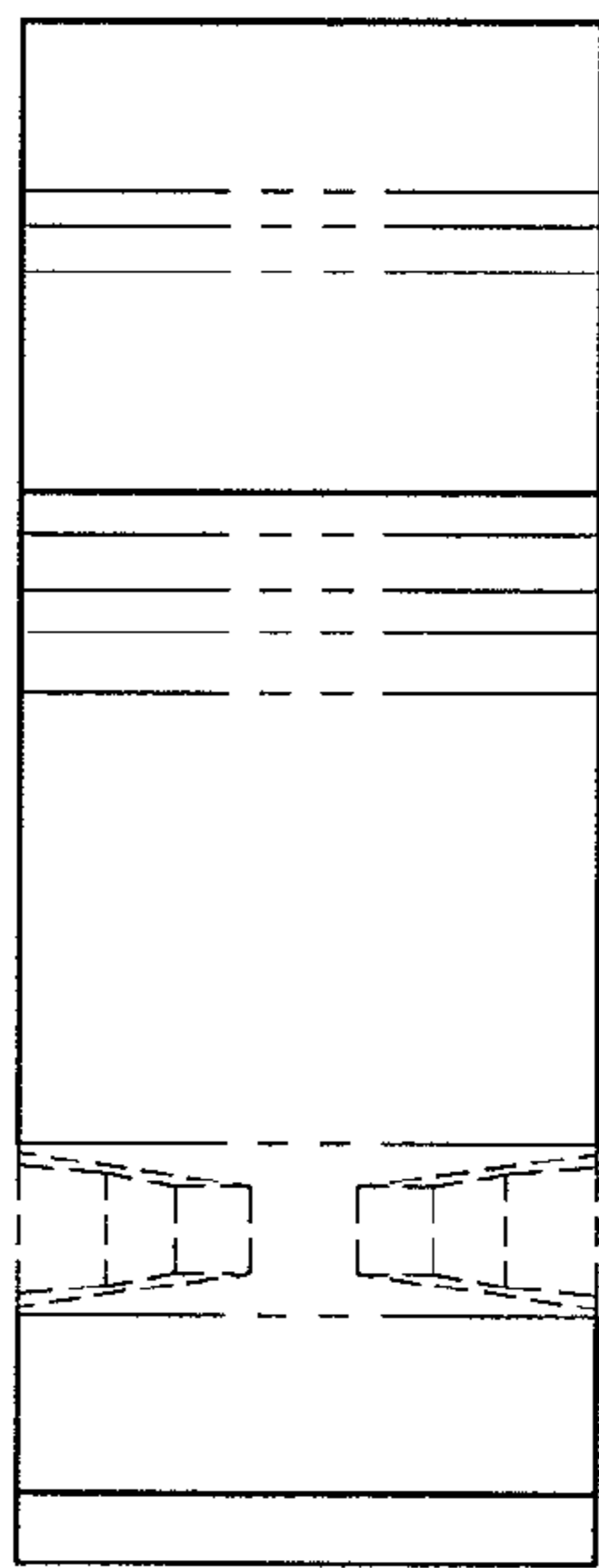


FIG. 9

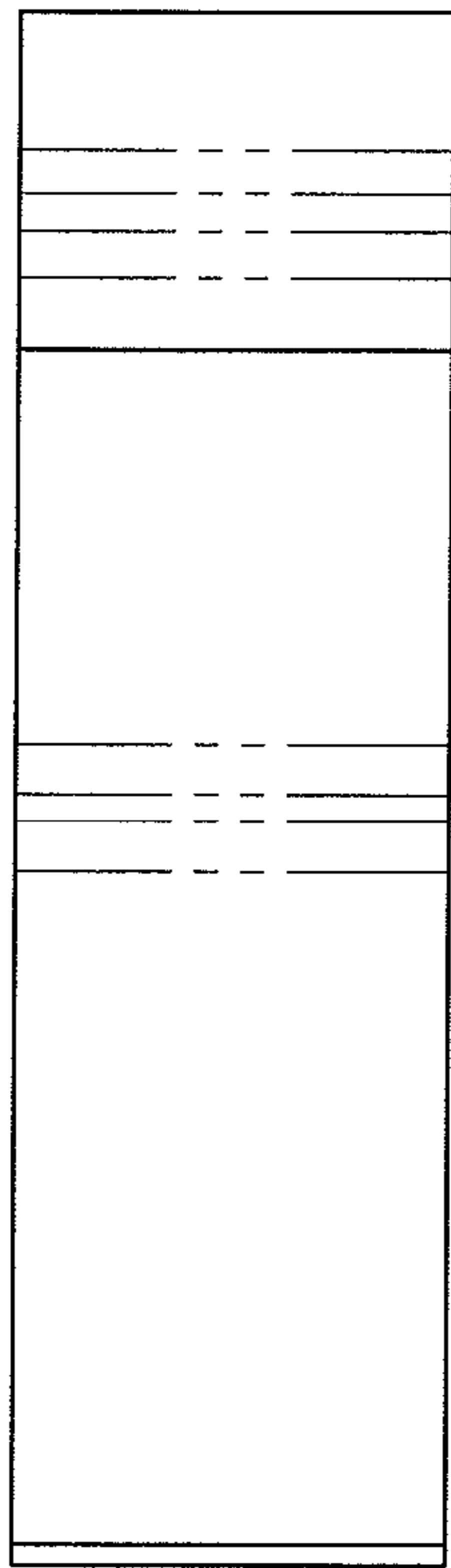


FIG. 8

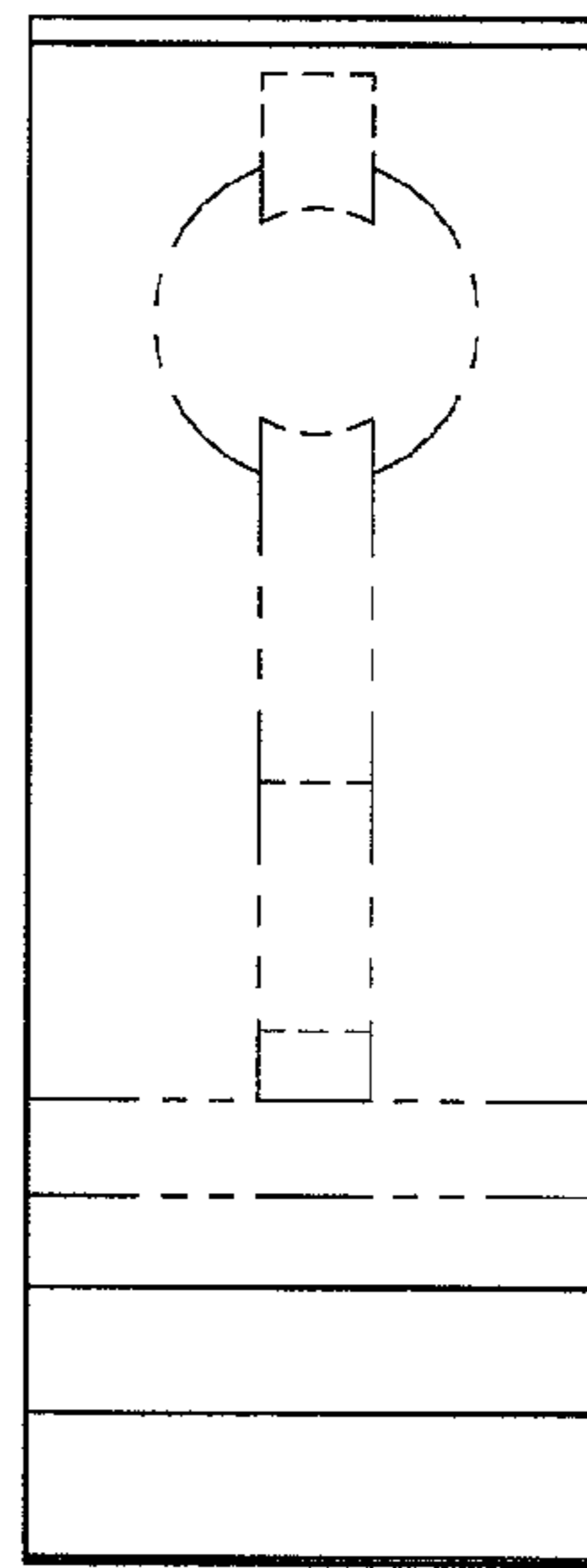


FIG. 10

