



US00D599019S

(12) **United States Design Patent**  
**Pimenta et al.**

(10) **Patent No.:** **US D599,019 S**

(45) **Date of Patent:** **\*\* Aug. 25, 2009**

(54) **SPINAL FUSION IMPLANT**

4,834,757 A 5/1989 Brantigan  
4,877,020 A 10/1989 Vich  
4,878,915 A 11/1989 Brantigan

(75) Inventors: **Luiz Pimenta**, San Paulo (BR); **Jared Arambula**, San Diego, CA (US); **Ben VerHage**, San Diego, CA (US); **Troy Woolley**, San Diego, CA (US); **Pat Miles**, San Diego, CA (US)

(Continued)

**FOREIGN PATENT DOCUMENTS**

CA 2015507 1/1999

(Continued)

**OTHER PUBLICATIONS**

Alleyne, Cargill H. et al., "Current and future approaches to lumbar disc surgery: A literature review", *Medscape Orthopedics & Sports Medicine*, 1 [www.medscape.com/Medscape/OrthoSportsMed/1997/v01.n11/.../mos3057] 1997.

(Continued)

*Primary Examiner*—Charles A Rademaker

(74) *Attorney, Agent, or Firm*—Jonathan Spangler; Rory Schermerhorn

(73) Assignee: **NuVasive, Inc.**, San Diego, CA (US)

(\*\*) Term: **14 Years**

(21) Appl. No.: **29/304,928**

(22) Filed: **Mar. 10, 2008**

**Related U.S. Application Data**

(63) Continuation of application No. 12/044,917, filed on Mar. 7, 2008.

(51) **LOC (9) Cl.** ..... **24-03**

(52) **U.S. Cl.** ..... **D24/155**

(58) **Field of Classification Search** ..... D24/155-157;  
606/60, 61, 73, 95, 213, 246, 248, 249; 623/17.11,  
623/17.12, 17.13, 17.14, 17.15, 17.16, 23.61,  
623/23.56, 247, 213; D15/143, 139  
See application file for complete search history.

(57) **CLAIM**

The ornamental design for a spinal fusion implant, as shown and described.

**DESCRIPTION**

FIG. 1 is a perspective view of an intervertebral implant showing our new design;

FIG. 2 is another perspective view thereof;

FIG. 3 is still another perspective view thereof;

FIG. 4 is a top view thereof;

FIG. 5 is a side view thereof;

FIG. 6 is a first end view thereof; and,

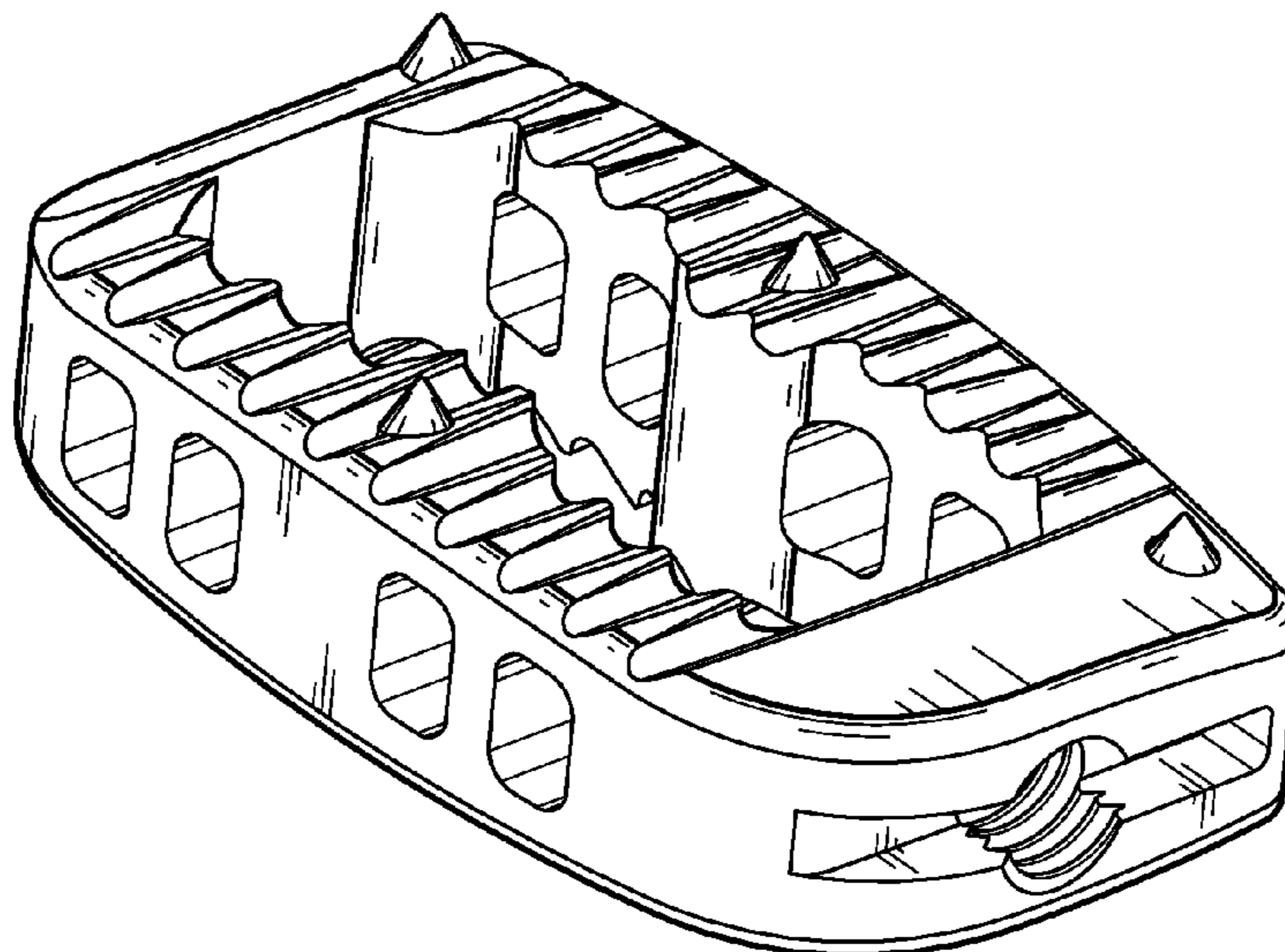
FIG. 7 is a second end view thereof.

**1 Claim, 4 Drawing Sheets**

(56) **References Cited**

**U.S. PATENT DOCUMENTS**

3,486,505 A 12/1969 Morrison  
3,518,993 A 7/1970 Blake  
3,604,487 A 9/1971 Gilbert  
3,745,995 A 7/1973 Kraus  
3,848,601 A 11/1974 Ma et al.  
4,026,304 A 5/1977 Levy  
4,026,305 A 5/1977 Brownlee et al.  
4,646,738 A 3/1987 Trott  
4,657,550 A 4/1987 Daher  
4,743,256 A 5/1988 Brantigan  
4,781,591 A 11/1988 Allen



# US D599,019 S

Page 2

U.S. PATENT DOCUMENTS						
			5,702,449	A	12/1997	McKay
			5,702,451	A	12/1997	Biedermann et al.
			5,702,453	A	12/1997	Rabbe et al.
			5,702,454	A	12/1997	Baumgartner
			5,702,455	A	12/1997	Saggar
			5,703,451	A	12/1997	Yamamichi et al.
			5,707,373	A	1/1998	Sevrain et al.
			5,711,957	A	1/1998	Patat et al.
			5,716,415	A	2/1998	Steffee
			5,720,748	A	2/1998	Kuslich et al.
			5,720,751	A	2/1998	Jackson
			5,728,159	A	3/1998	Stroeve et al.
			5,741,253	A	4/1998	Michelson
			5,741,261	A	4/1998	Moskovitz et al.
			5,755,797	A	5/1998	Baumgartner
			5,766,252	A	6/1998	Henry et al.
			5,772,661	A	6/1998	Michelson
			5,775,331	A	7/1998	Raymond et al.
			5,779,642	A	7/1998	Nightengale
			5,782,830	A	7/1998	Farris
			5,782,919	A	7/1998	Zdeblick et al.
			5,785,710	A	7/1998	Michelson
			5,797,909	A	8/1998	Michelson
			5,800,549	A	9/1998	Bao et al.
			5,800,550	A	9/1998	Sertich
			5,814,084	A	9/1998	Grivas et al.
			5,851,208	A	12/1998	Trott
			5,860,973	A	1/1999	Michelson
			5,865,845	A	2/1999	Thalgott
			5,865,848	A	2/1999	Baker
			5,885,299	A	3/1999	Winslow et al.
			5,888,219	A	3/1999	Bonutti
			5,888,224	A	3/1999	Beckers et al.
			5,893,890	A	4/1999	Pisharodi
			5,904,719	A	5/1999	Errico et al.
			5,910,315	A	6/1999	Stevenson et al.
			5,954,769	A	9/1999	Rosenlicht
			5,968,098	A	10/1999	Winslow
			5,993,474	A	11/1999	Ouchi
			6,003,426	A	12/1999	Kobayashi et al.
			6,004,326	A	12/1999	Castro et al.
			6,008,433	A	12/1999	Stone
			6,015,436	A	1/2000	Schunhuffer
			6,033,405	A	3/2000	Winslow et al.
			6,039,761	A	3/2000	Li et al.
			6,042,582	A	3/2000	Ray
			6,045,580	A	4/2000	Scarborough et al.
			6,048,342	A	4/2000	Zucherman et al.
			6,059,829	A	5/2000	Schlapfer et al.
			6,063,088	A	5/2000	Winslow
			6,083,225	A	7/2000	Winslow et al.
			6,096,080	A	8/2000	Nicholson et al.
			6,102,948	A	8/2000	Brosnahan, III
			6,120,503	A	9/2000	Michelson
			6,120,506	A	9/2000	Kohrs et al.
			6,132,472	A	10/2000	Bonutti
			6,143,033	A	11/2000	Paul et al.
			6,159,211	A	12/2000	Boriani et al.
			6,159,215	A	12/2000	Urbahns et al.
			6,193,756	B1	2/2001	Studer et al.
			6,200,347	B1	3/2001	Anderson et al.
			6,224,607	B1	5/2001	Michelson
			6,224,631	B1	5/2001	Kohrs
			6,241,769	B1	6/2001	Nicholson et al.
			6,241,771	B1	6/2001	Gresser et al.
			6,251,140	B1	6/2001	Marino et al.
			6,258,125	B1	7/2001	Paul et al.
			6,277,149	B1	8/2001	Boyle et al.
			6,319,257	B1	11/2001	Carignan et al.
			6,371,989	B1	4/2002	Chauvin et al.
			6,383,221	B1	5/2002	Scarborough et al.
			6,409,766	B1	6/2002	Brett
			6,423,095	B1 *	7/2002	Van Hoeck et al. .... 623/17.16

# US D599,019 S

Page 3

6,432,140	B1 *	8/2002	Lin .....	623/17.16	EP	736876	4/1996
6,440,142	B1	8/2002	Ralph et al.		EP	716840	6/1996
6,442,814	B1	9/2002	Landry et al.		EP	737448	10/1996
6,447,547	B1	9/2002	Michelson		EP	796593	9/1997
6,454,806	B1	9/2002	Cohen et al.		EP	880938	2/1998
6,468,311	B2	10/2002	Boyd et al.		EP	809974	4/1998
6,491,724	B1	12/2002	Ferree		EP	809975	4/1998
6,527,773	B1	3/2003	Lin et al.		EP	811356	4/1998
D472,633	S *	4/2003	Anderson .....	D24/155	WO	WO-91/06261	5/1991
D472,634	S	4/2003	Anderson		WO	WO-94/04100	3/1994
D473,650	S	4/2003	Anderson		WO	WO-94/10928	5/1994
6,547,823	B2	4/2003	Scarborough et al.		WO	WO-95/01810	1/1995
6,595,998	B2	7/2003	Johnson et al.		WO	WO-96/17564	3/1996
6,626,905	B1	9/2003	Schmiel et al.		WO	WO-96/41582	12/1996
6,635,086	B2	10/2003	Lin		WO	WO-97/20513	6/1997
6,648,895	B2	11/2003	Burkus et al.		WO	WO-97/33525	9/1997
6,672,019	B1	1/2004	Wenz		WO	WO-97/37620	10/1997
6,676,703	B2	1/2004	Biscup		WO	WO-98/09586	3/1998
6,743,255	B2	6/2004	Ferree		WO	WO-98/14142	4/1998
6,746,484	B1	6/2004	Liu et al.		WO	WO-98/17208	4/1998
6,755,841	B2	6/2004	Fraser et al.		WO	WO-98/25539	6/1998
6,824,564	B2	11/2004	Crozet		WO	WO-98/08627	2/1999
D503,801	S	4/2005	Jackson		WO	WO-96/08205	3/1999
6,942,698	B1	9/2005	Jackson		WO	WO-99/38461	8/1999
6,964,687	B1 *	11/2005	Bernard et al. ....	623/17.16	WO	WO-00/45712	8/2000
6,979,353	B2 *	12/2005	Bresina .....	623/17.16	WO	WO-00/45713	8/2000
6,984,245	B2	1/2006	McGahan et al.		WO	WO-01/41681	6/2001
6,986,788	B2	1/2006	Paul et al.		WO	WO-01/49333	7/2001
6,989,031	B2	1/2006	Michelson				
D524,443	S *	7/2006	Blain .....	D24/155			
7,077,866	B2 *	7/2006	Gresser et al. ....	623/17.16			
D530,423	S *	10/2006	Miles et al. ....	D24/155			
D541,940	S *	5/2007	Blain .....	D24/155			
D566,276	S *	4/2008	Blain .....	D24/155			
2002/0058950	A1	5/2002	Winterbottom et al.				
2003/0105528	A1	6/2003	Shimp et al.				
2003/0139812	A1	7/2003	Garcia et al.				
2007/0293948	A1 *	12/2007	Bagga et al. ....	623/17.11			

## FOREIGN PATENT DOCUMENTS

EP	369603	5/1990
EP	517030	5/1992
EP	667127	8/1995

## OTHER PUBLICATIONS

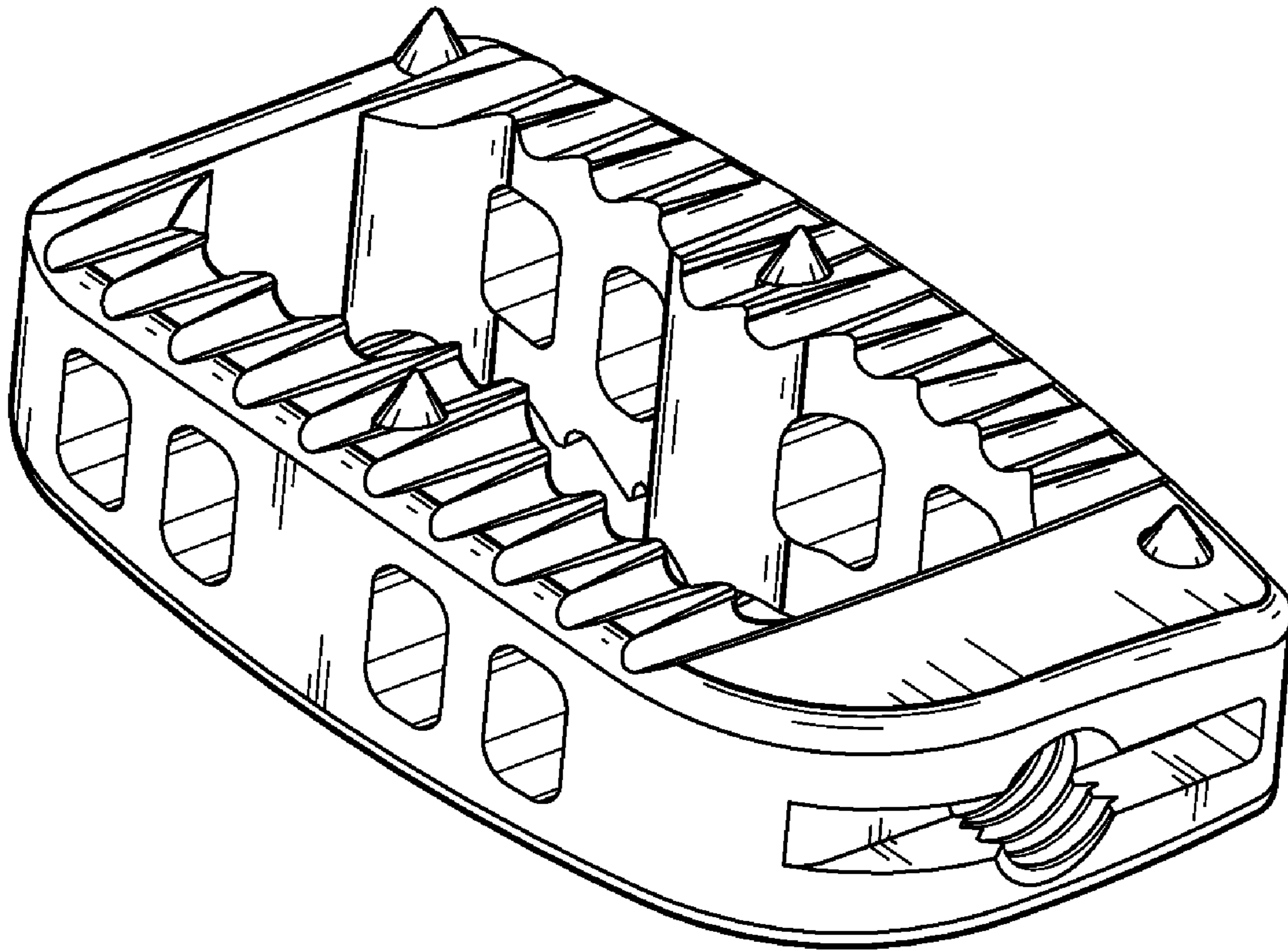
Benini, et al., "Undercutting decompression and posterior fusion with translaminar facet screw fixation in degenerative lumbar spinal stenosis: Technique and results", *Neuro-Orthopedics*, 1995, 159-172.

Kambin, et al., "History and current status of percutaneous arthroscopic disc surgery", *Spine*, 21, 1996, 57S-61S.

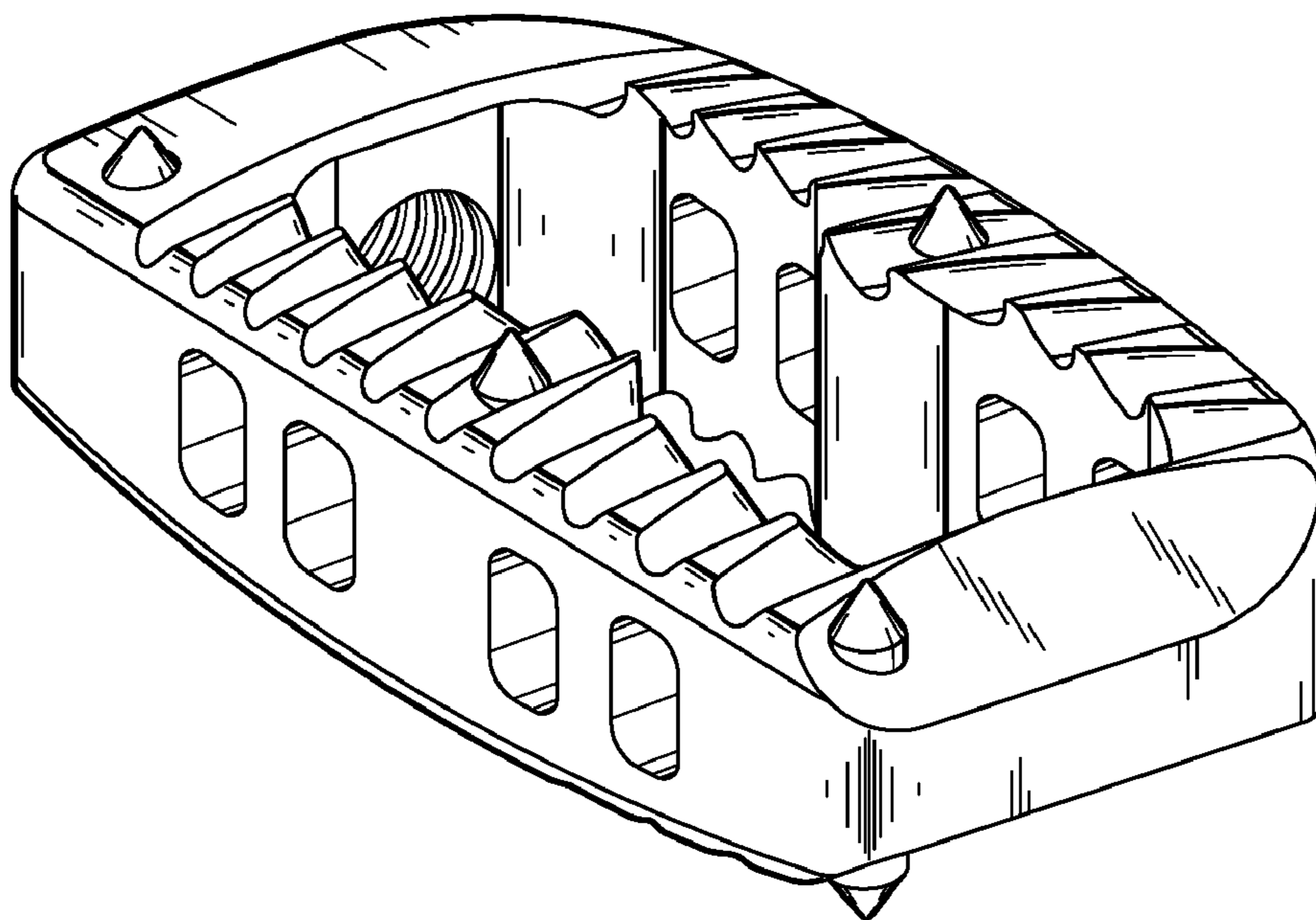
Stein, et al., "Percutaneous facet joint fusion: Preliminary experience", *Journal of Vascular and Interventional Radiology*, 4, 1993, 69-74.

Vamvanij, et al., "Surgical treatment of internal disc disruption: An outcome study of four fusion techniques", *Journal of Spinal Disorders*, 4, 1998, 375-382.

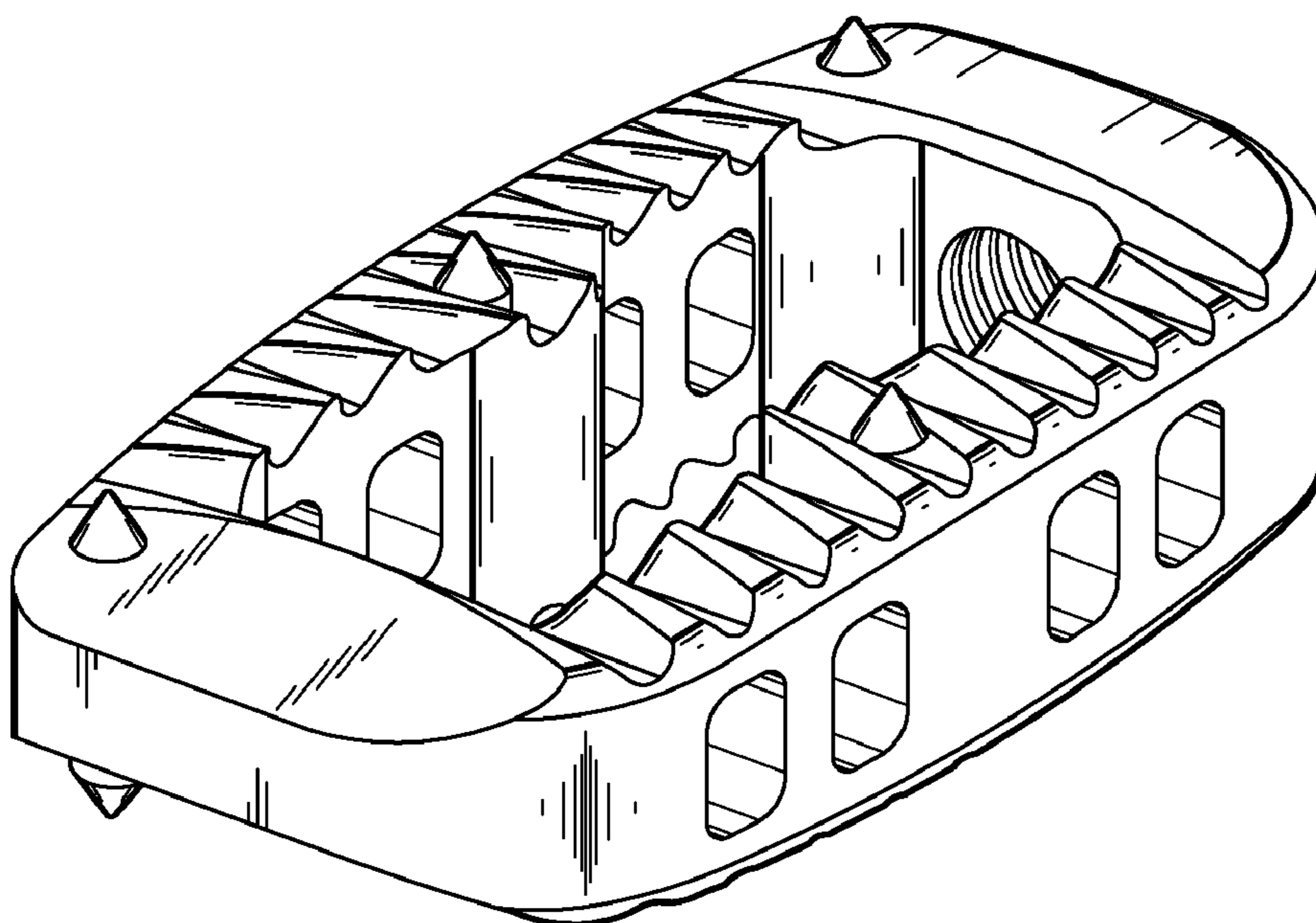
\* cited by examiner



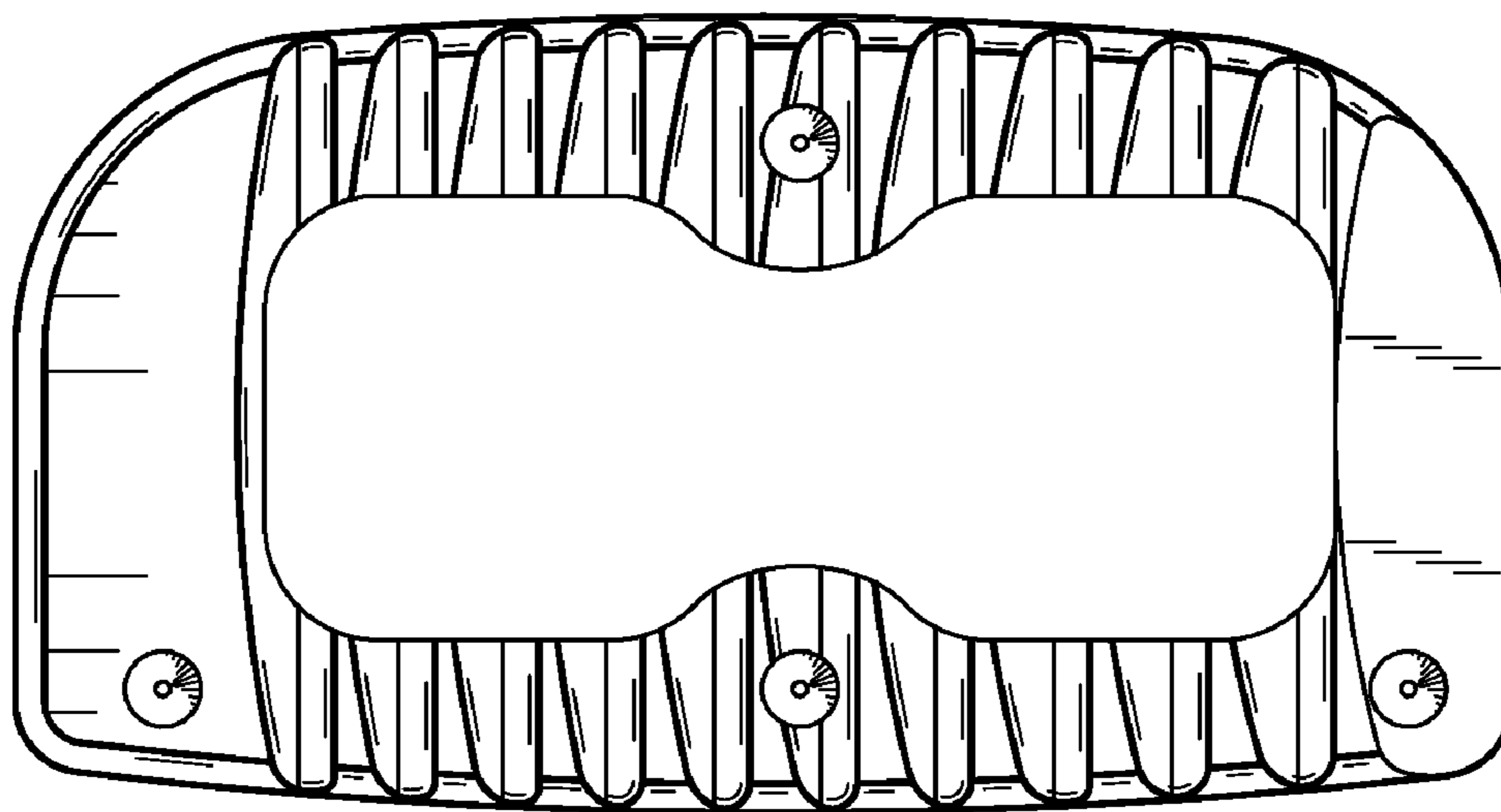
*FIG. 1*



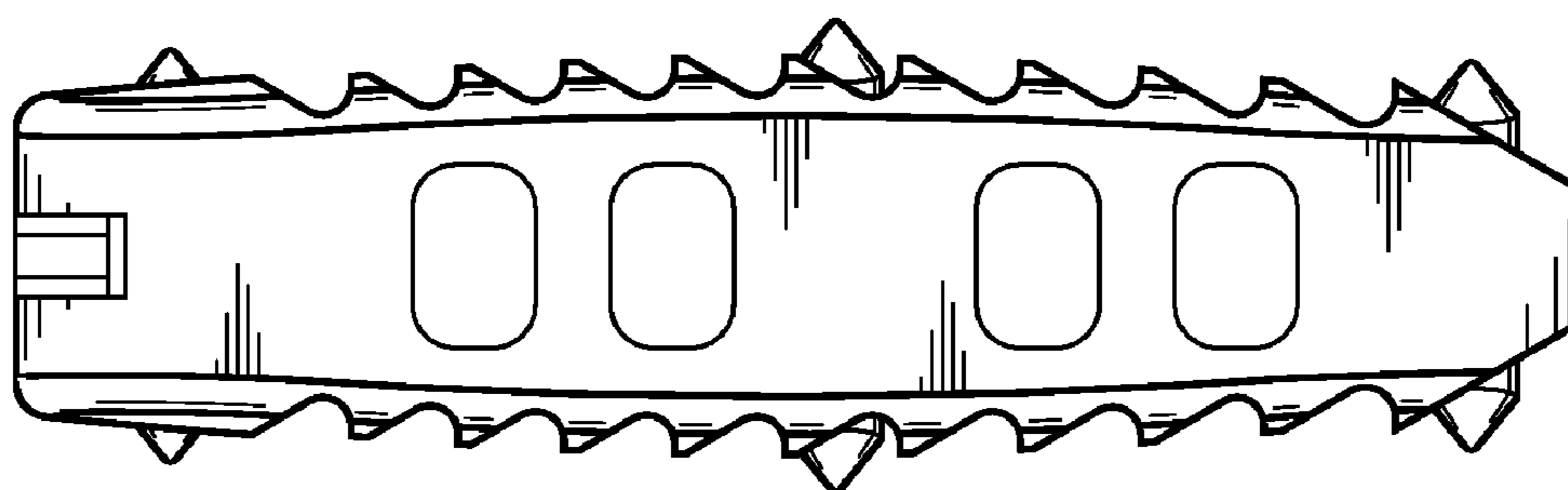
*FIG. 2*



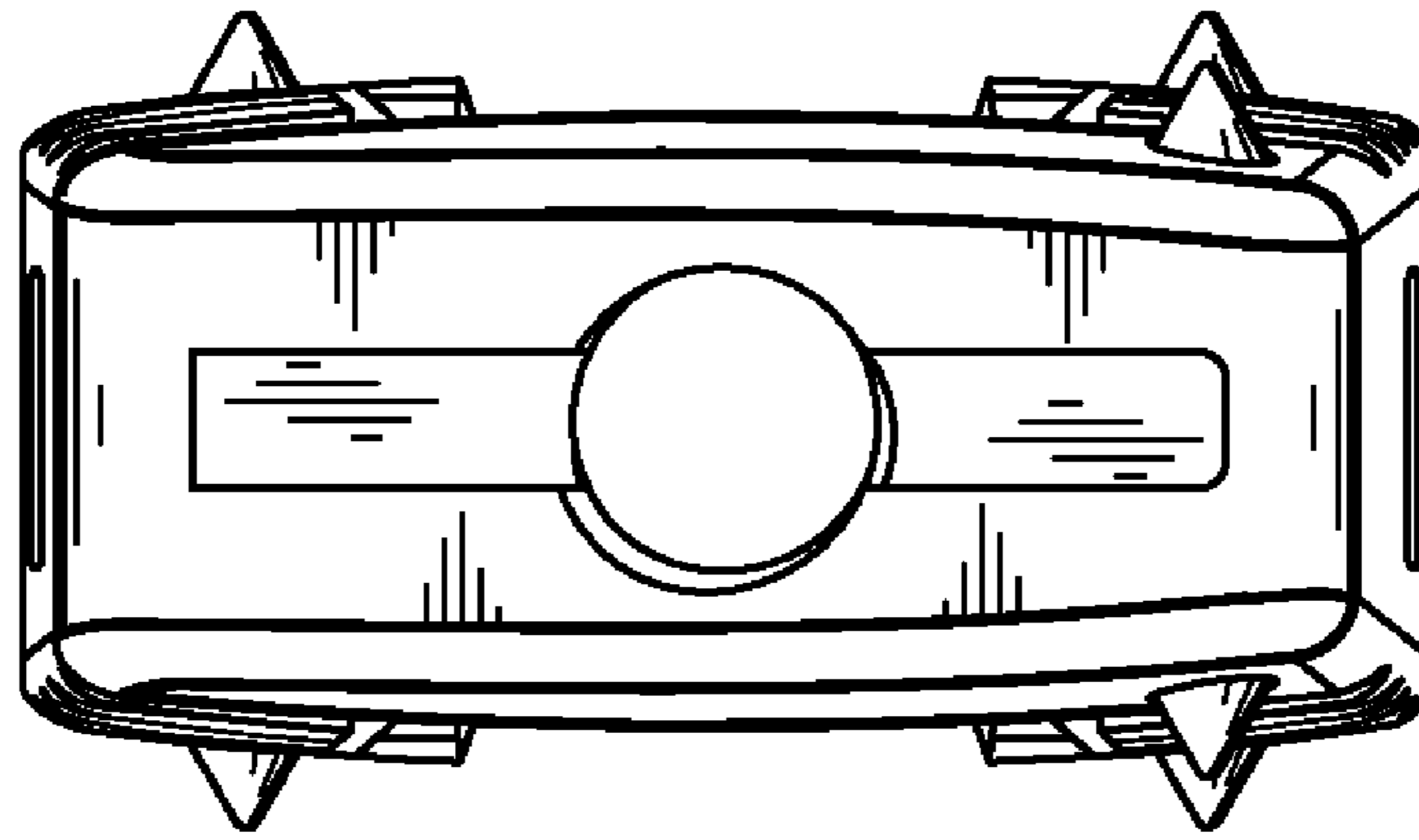
*FIG. 3*



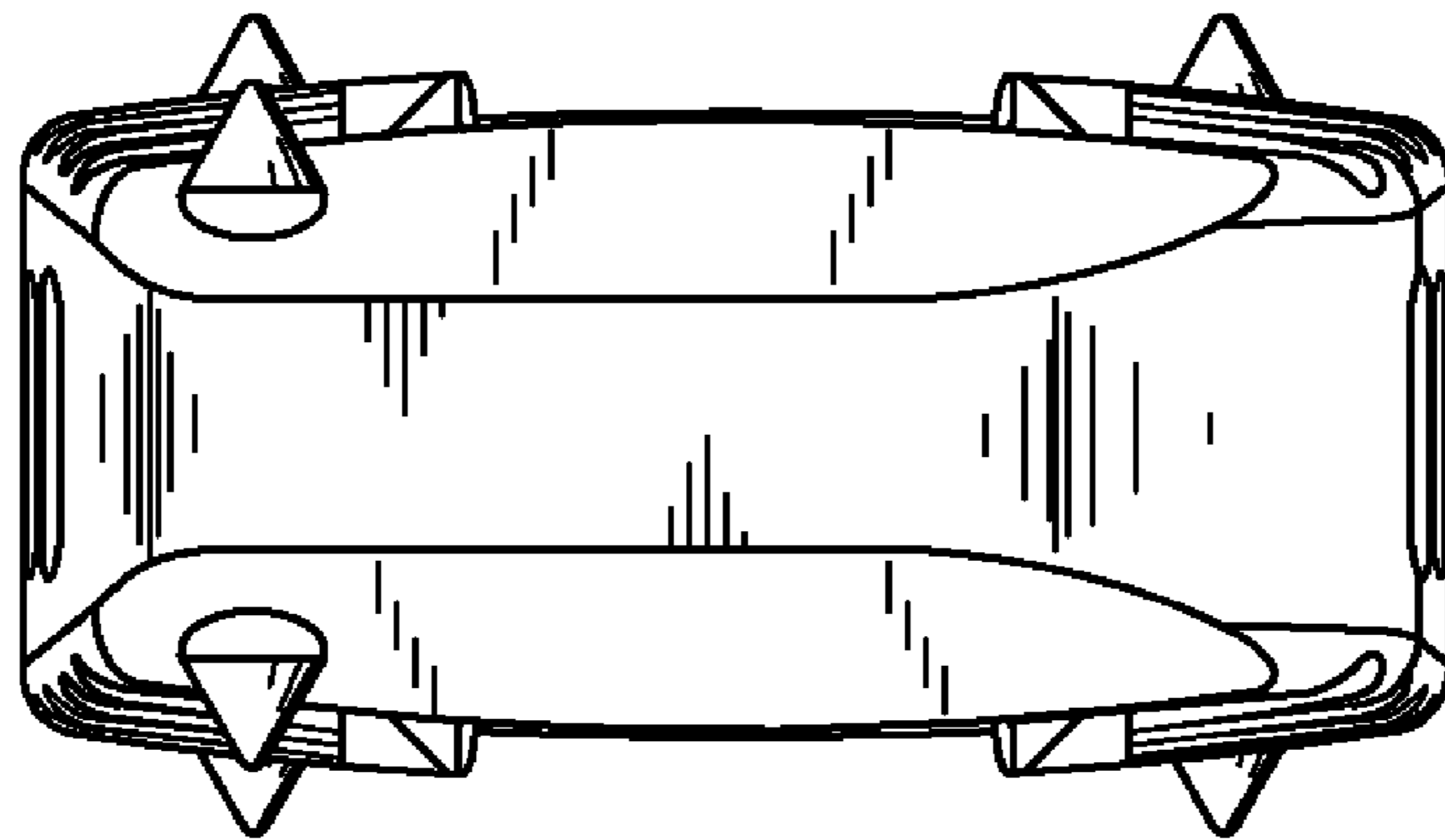
*FIG. 4*



*FIG. 5*



*FIG. 6*



*FIG. 7*