



US00D599017S

(12) **United States Design Patent**
Urushihata et al.

(10) **Patent No.:** **US D599,017 S**

(45) **Date of Patent:** **** Aug. 25, 2009**

(54) **INDUSTRIAL ENDOSCOPE**

(75) Inventors: **Mutsumi Urushihata**, Tokyo (JP);
Yoichi Hosaka, Saitama (JP)

(73) Assignee: **Olympus Corporation**, Tokyo (JP)

(**) Term: **14 Years**

(21) Appl. No.: **29/301,318**

(22) Filed: **Feb. 21, 2008**

Related U.S. Application Data

(63) Continuation-in-part of application No. 29/283,295,
filed on Aug. 9, 2007.

(30) **Foreign Application Priority Data**

Dec. 19, 2007 (JP) 2007-034888

(51) **LOC (9) Cl.** **24-02**

(52) **U.S. Cl.** **D24/138**

(58) **Field of Classification Search** D24/137-138;
600/110, 131-132, 136-139, 129, 158, 160,
600/146, 163, 167, 197

See application file for complete search history.

(56) **References Cited**

U.S. PATENT DOCUMENTS

D269,457 S * 6/1983 Ishiwara D24/138
D277,505 S * 2/1985 Kubokawa et al. D24/138
D284,028 S * 5/1986 Seager D24/138
5,035,231 A * 7/1991 Kubokawa et al. 600/109
5,447,148 A * 9/1995 Oneda et al. 600/131
D481,124 S * 10/2003 Hayamizu D24/138

D493,529 S * 7/2004 Hayamizu et al. D24/138
D534,656 S * 1/2007 Pilvisto et al. D24/138
2007/0230075 A1 * 10/2007 Murata et al. 361/58
2008/0207993 A1 * 8/2008 Maruyama et al. 600/101
2008/0207998 A1 * 8/2008 Maruyama 600/114
2008/0208002 A1 * 8/2008 Maruyama 600/131

* cited by examiner

Primary Examiner—Ian Simmons

Assistant Examiner—Wan Laymon

(74) *Attorney, Agent, or Firm*—Hogan & Hartson LLP

(57) **CLAIM**

The ornamental design for an industrial endoscope, as shown
and described.

DESCRIPTION

FIG. 1 is a front, top and right side perspective view of an
industrial endoscope showing our new design;

FIG. 2 is a front elevational view thereof;

FIG. 3 is a rear elevational view thereof;

FIG. 4 is a top plan view thereof;

FIG. 5 is a bottom plan view thereof;

FIG. 6 is a right side elevational view thereof; and,

FIG. 7 is a left side elevational view thereof.

The FIGS. 1, 4-7 are drawn broken away to indicate that no
particular length is claimed.

The broken lines of the trigger in FIGS. 6 and 7 are for
environmental purposes only and form no part of the claimed
design.

1 Claim, 5 Drawing Sheets

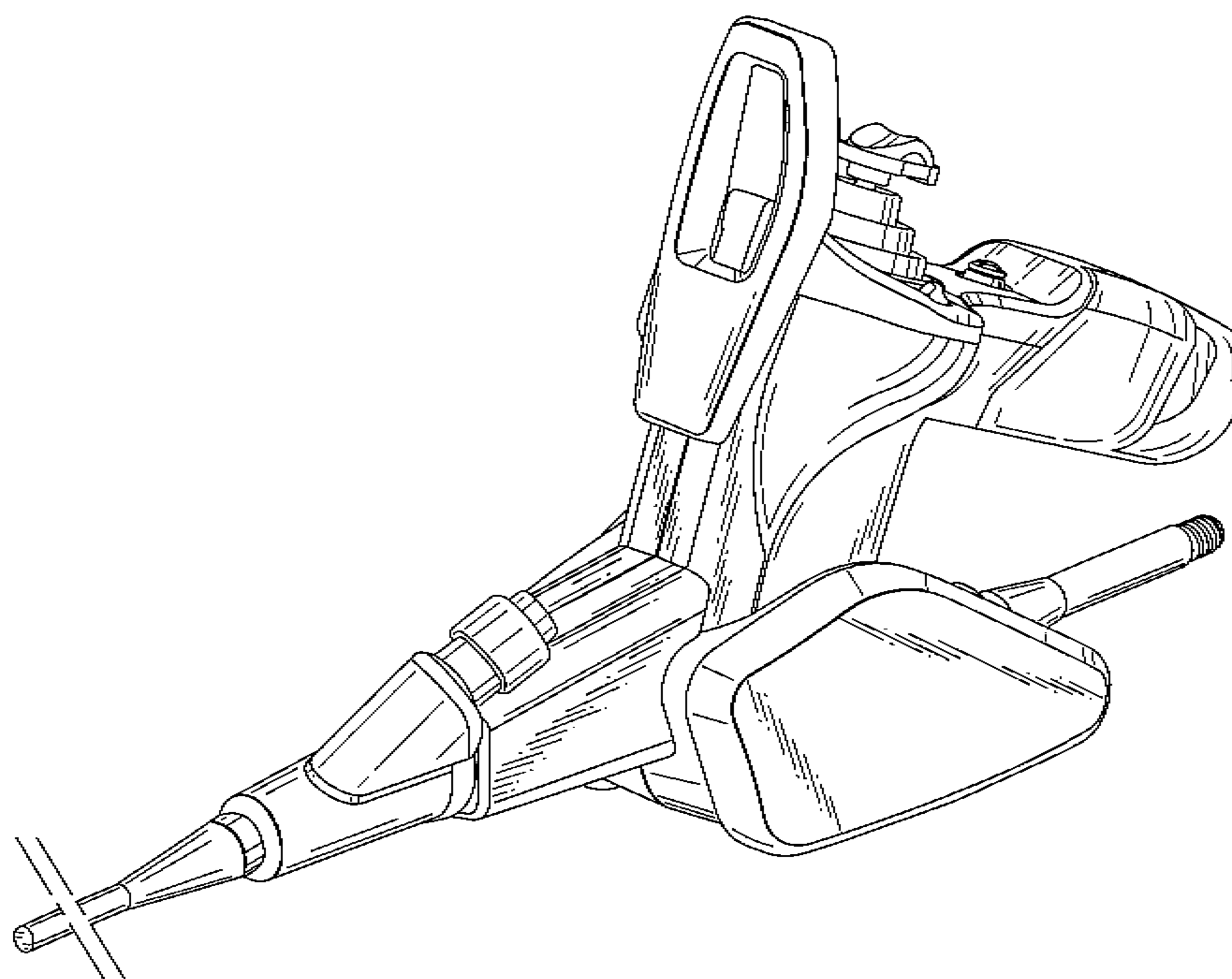


FIG.1

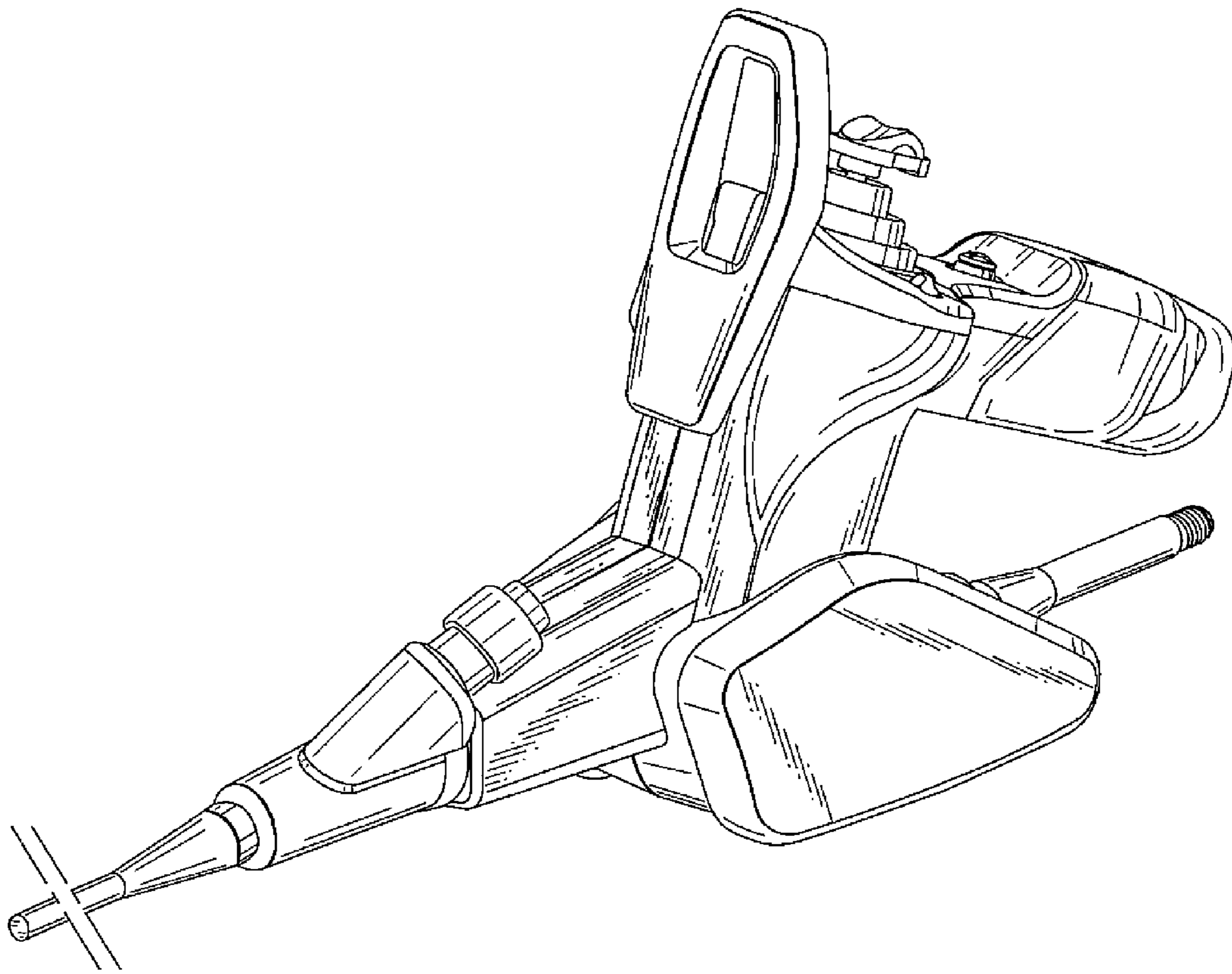


FIG.2

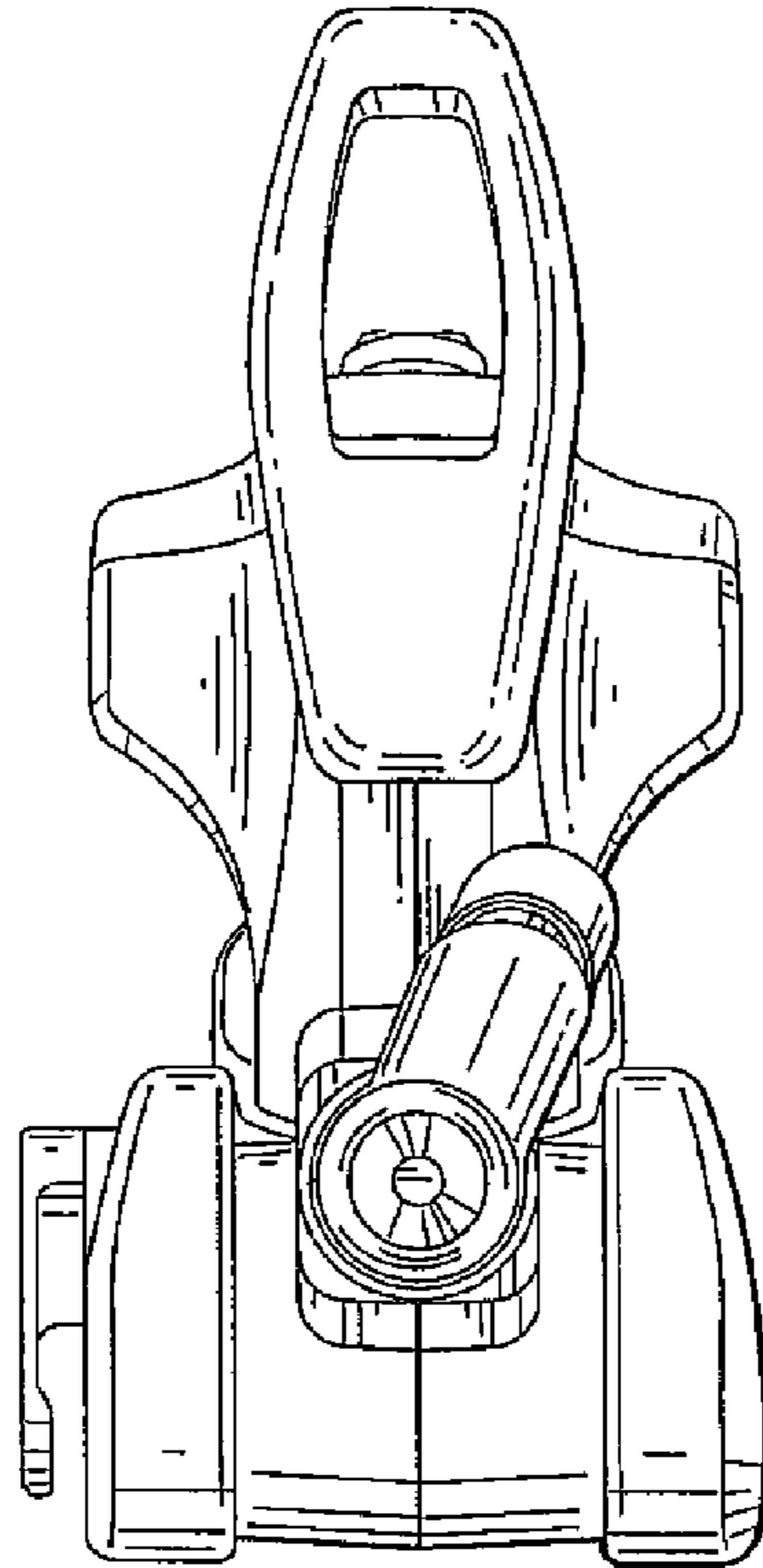


FIG.3

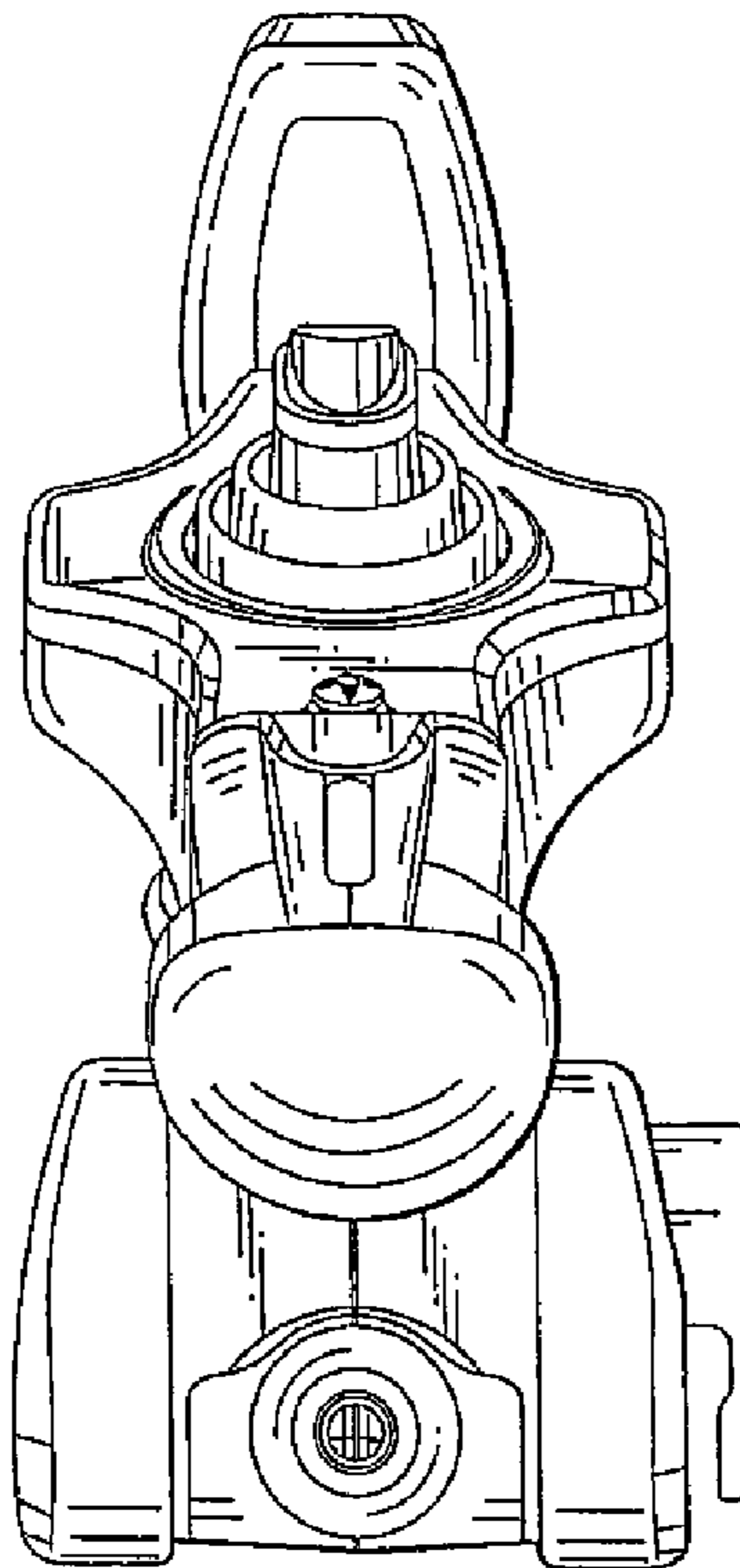


FIG.4

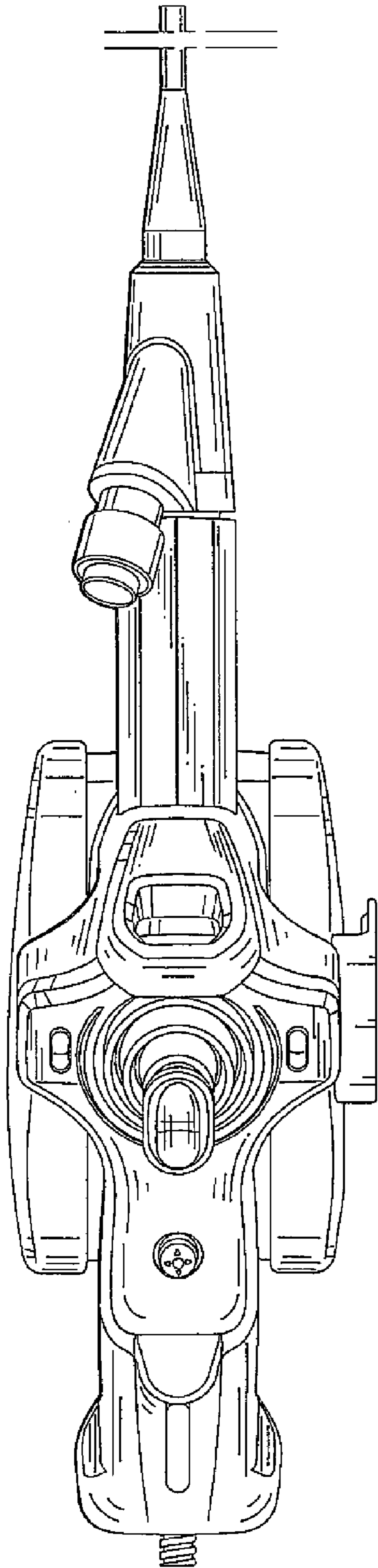


FIG.5

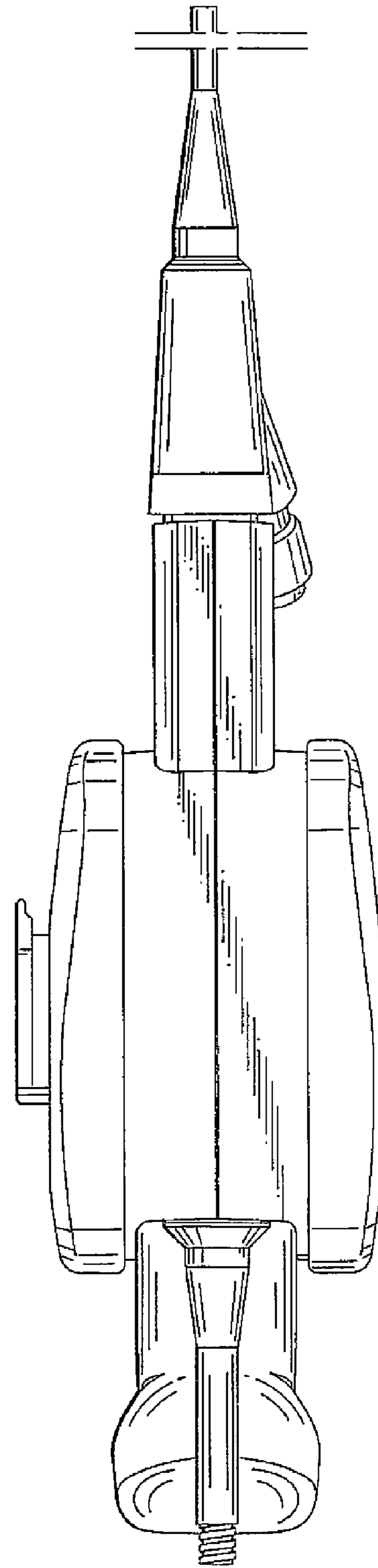


FIG.6

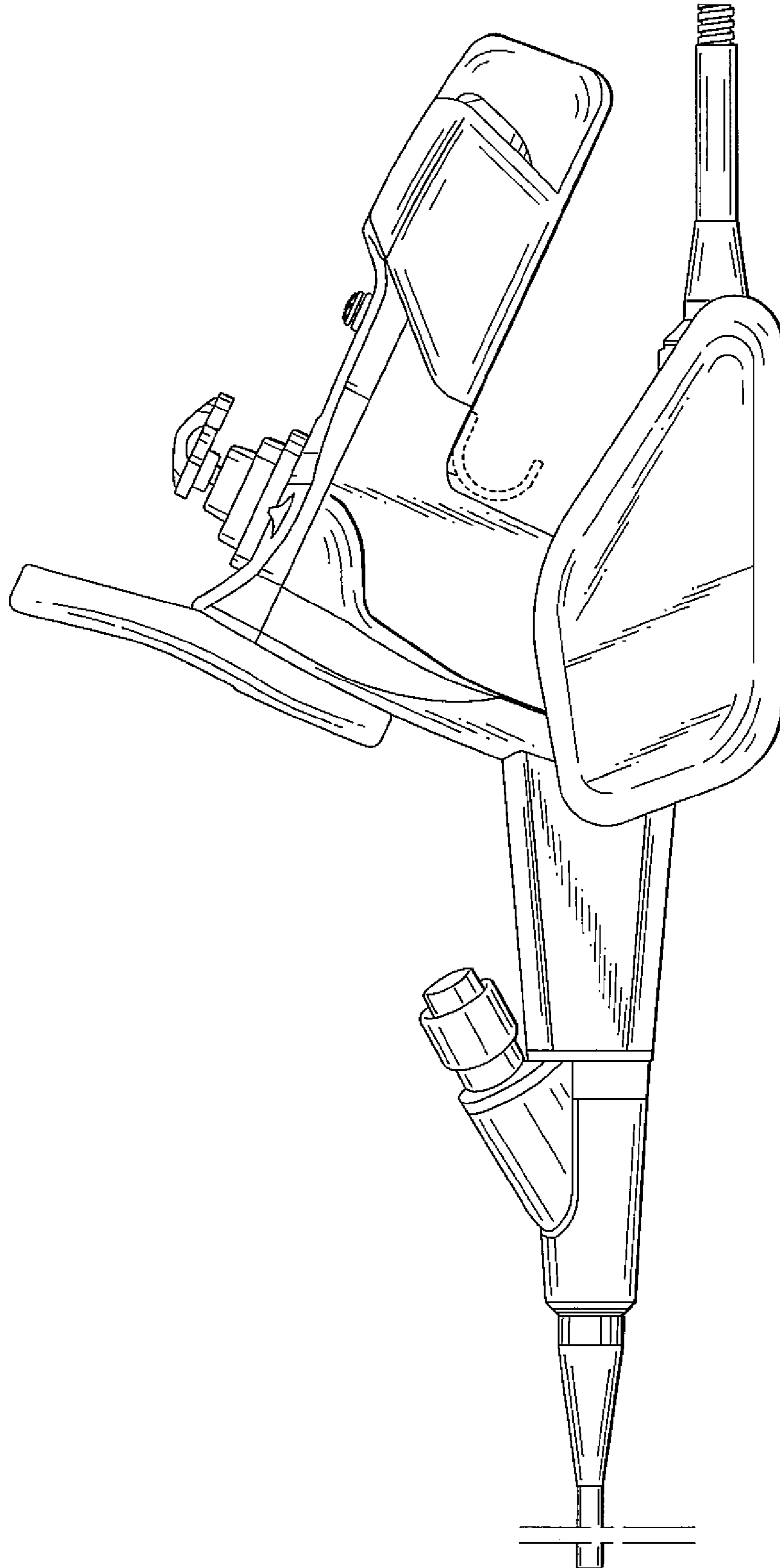


FIG. 7

