



US00D599016S

(12) **United States Design Patent**
Gaab et al.

(10) **Patent No.:** **US D599,016 S**
(45) **Date of Patent:** **** Aug. 25, 2009**

(54) **MEDICAL INSTRUMENT**

(75) Inventors: **Michael Gaab**, Hanover (DE); **Rainer Hermle**, Gosheim (DE)

(73) Assignee: **Karl Storz GmbH & Co. KG** (DE)

(**) Term: **14 Years**

(21) Appl. No.: **29/320,243**

(22) Filed: **Jun. 24, 2008**

(30) **Foreign Application Priority Data**

Dec. 26, 2007 (EM) 000850375

(51) **LOC (9) Cl.** **24-02**

(52) **U.S. Cl.** **D24/135; D24/138**

(58) **Field of Classification Search** D24/135,
D24/143, 146, 147, 140, 133, 129, 137, 138;
604/184; 606/144; 600/164, 113, 135, 156,
600/138, 121, 153, 920, 131, 102, 114; 385/117
See application file for complete search history.

(56) **References Cited**

U.S. PATENT DOCUMENTS

D377,093 S * 12/1996 Michelson D24/135
D452,004 S * 12/2001 Baker et al. D24/135

D571,008 S * 6/2008 Wu D24/135
D571,467 S * 6/2008 Wu D24/135
D571,468 S * 6/2008 Wu D24/135
2008/0064929 A1 * 3/2008 Wiedenbein 600/131

* cited by examiner

Primary Examiner—Charles A Rademaker

Assistant Examiner—Christopher Lee

(74) *Attorney, Agent, or Firm*—St. Onge Steward Johnston & Reens LLC

(57) **CLAIM**

The ornamental design for a medical instrument, as shown and described.

DESCRIPTION

FIG. 1 is a front isometric view of a medical instrument in accordance with the new design;

FIG. 2 is a right side view thereof;

FIG. 3 is a left side view thereof;

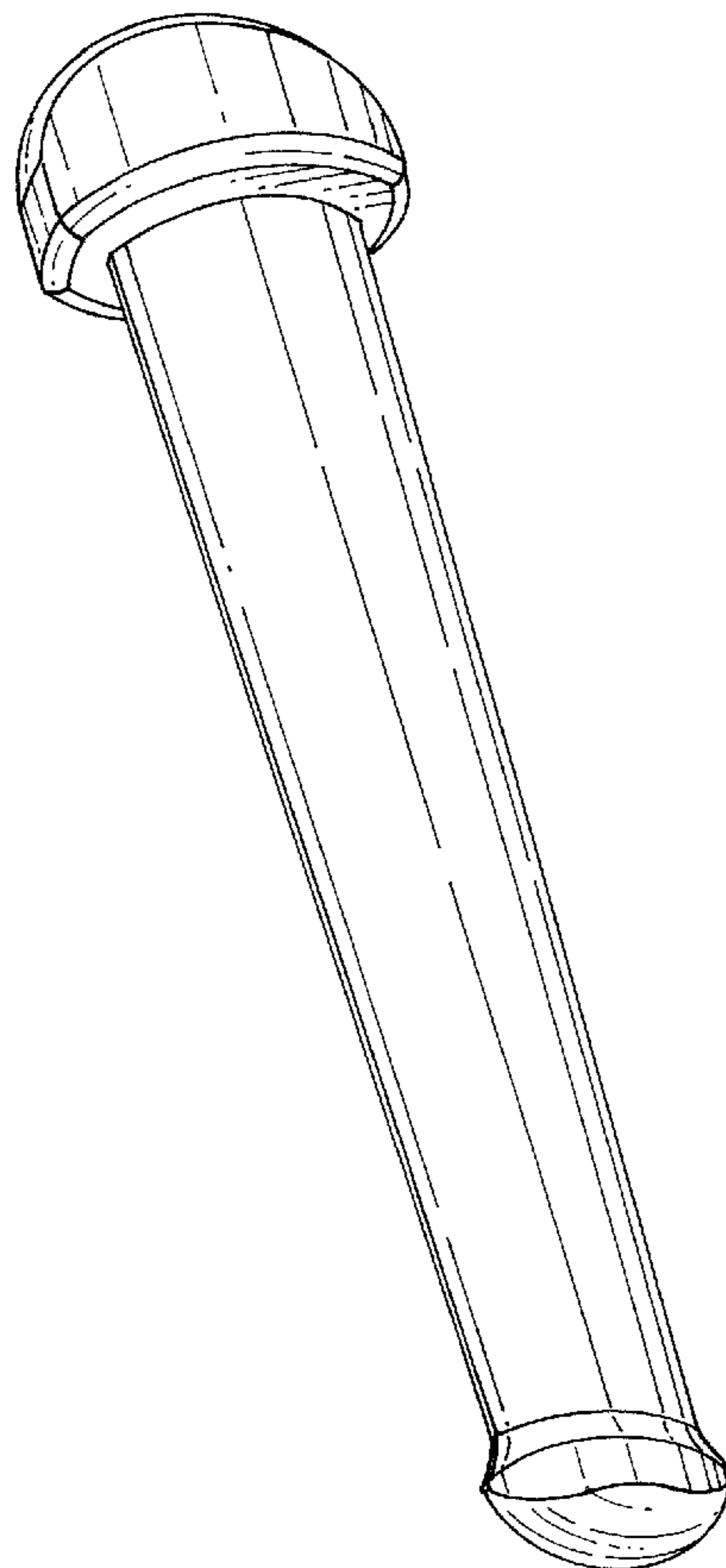
FIG. 4 is a top view thereof;

FIG. 5 is a bottom view thereof;

FIG. 6 is a front view thereof; and,

FIG. 7 is a rear view thereof.

1 Claim, 4 Drawing Sheets



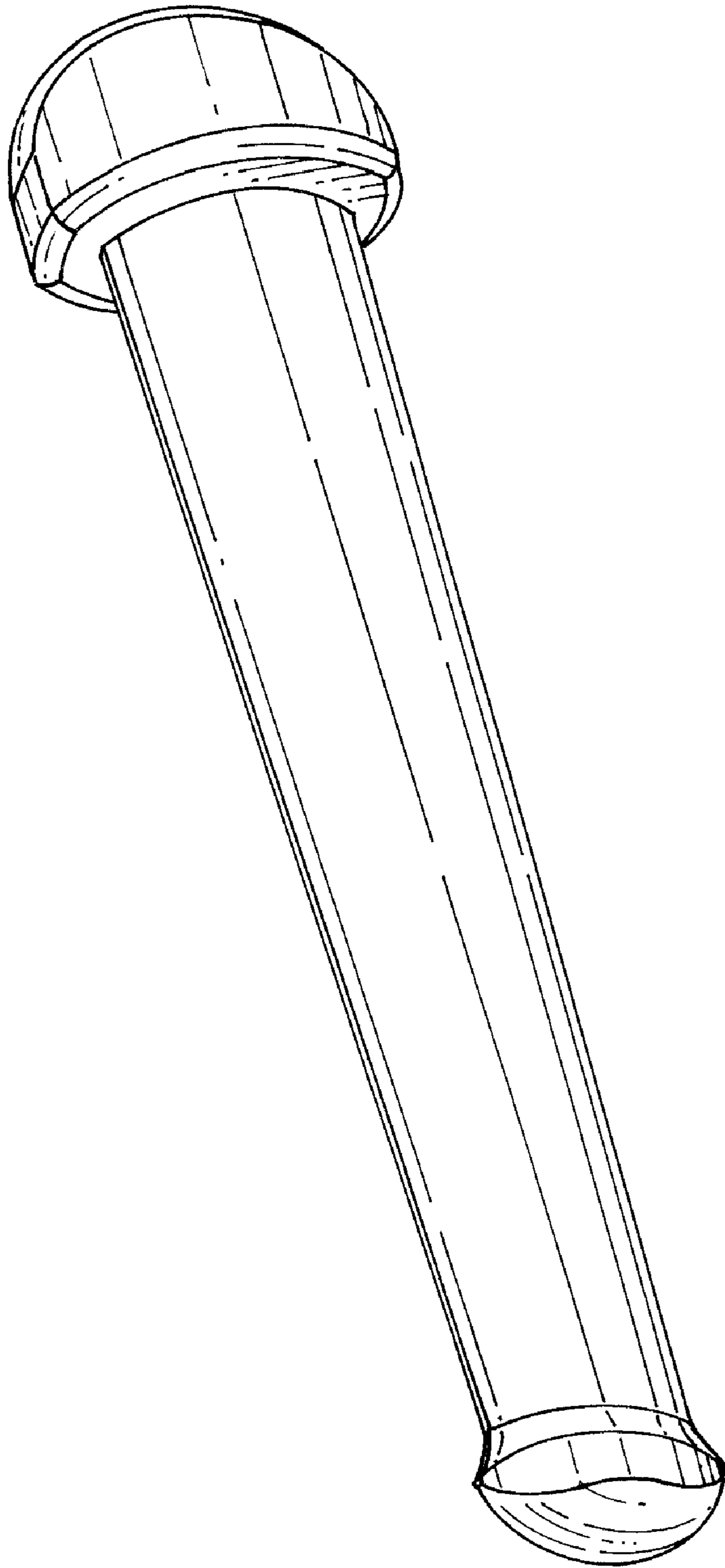


FIG. 1

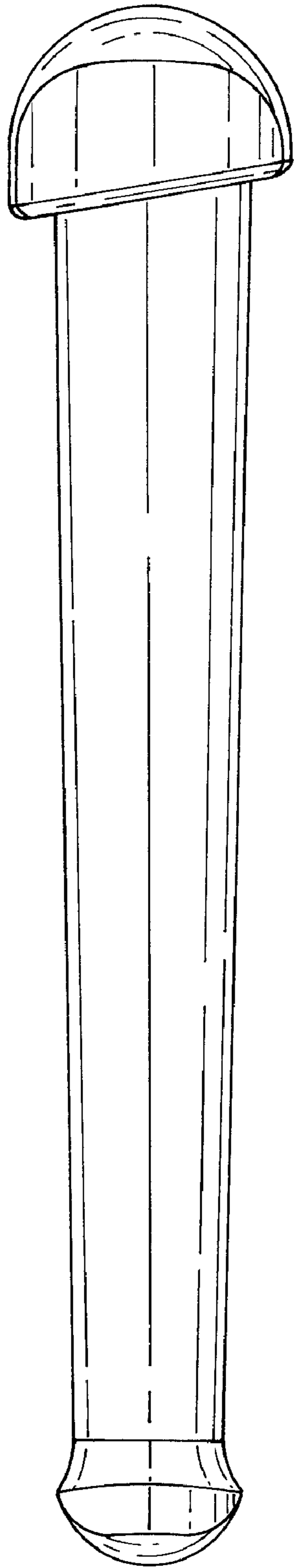


FIG. 2

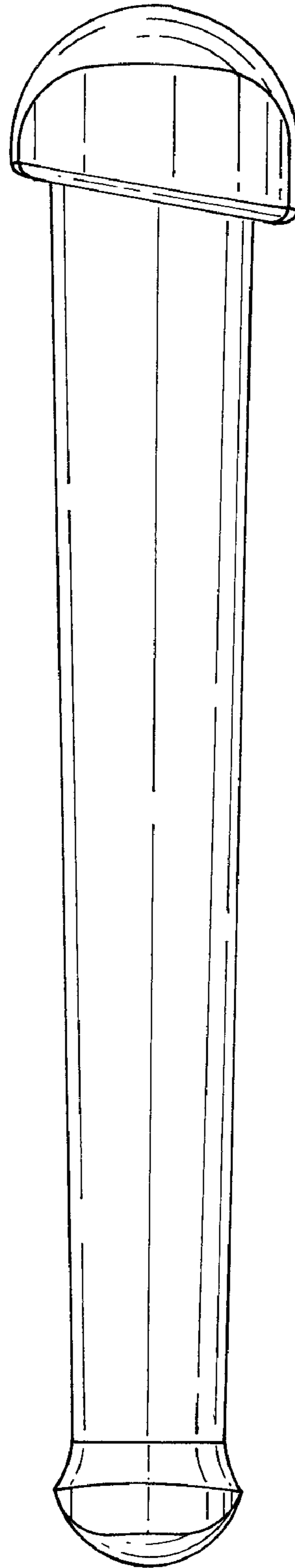


FIG. 3

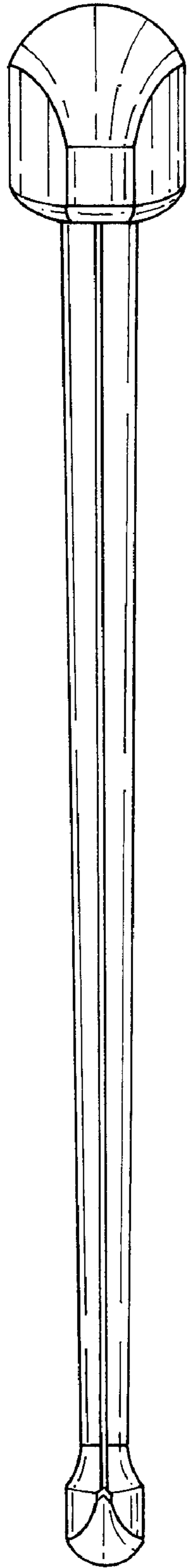


FIG. 4

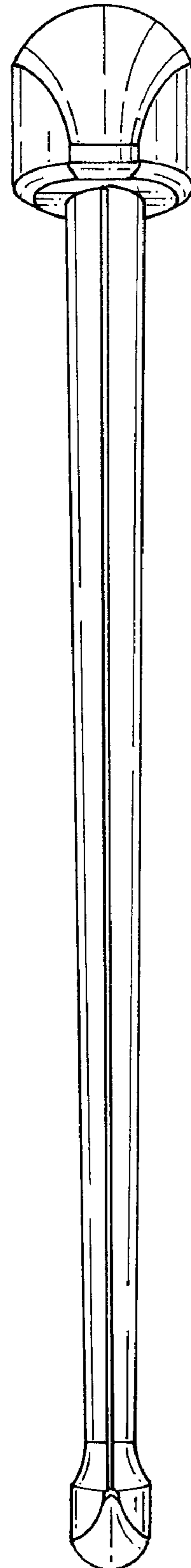


FIG. 5

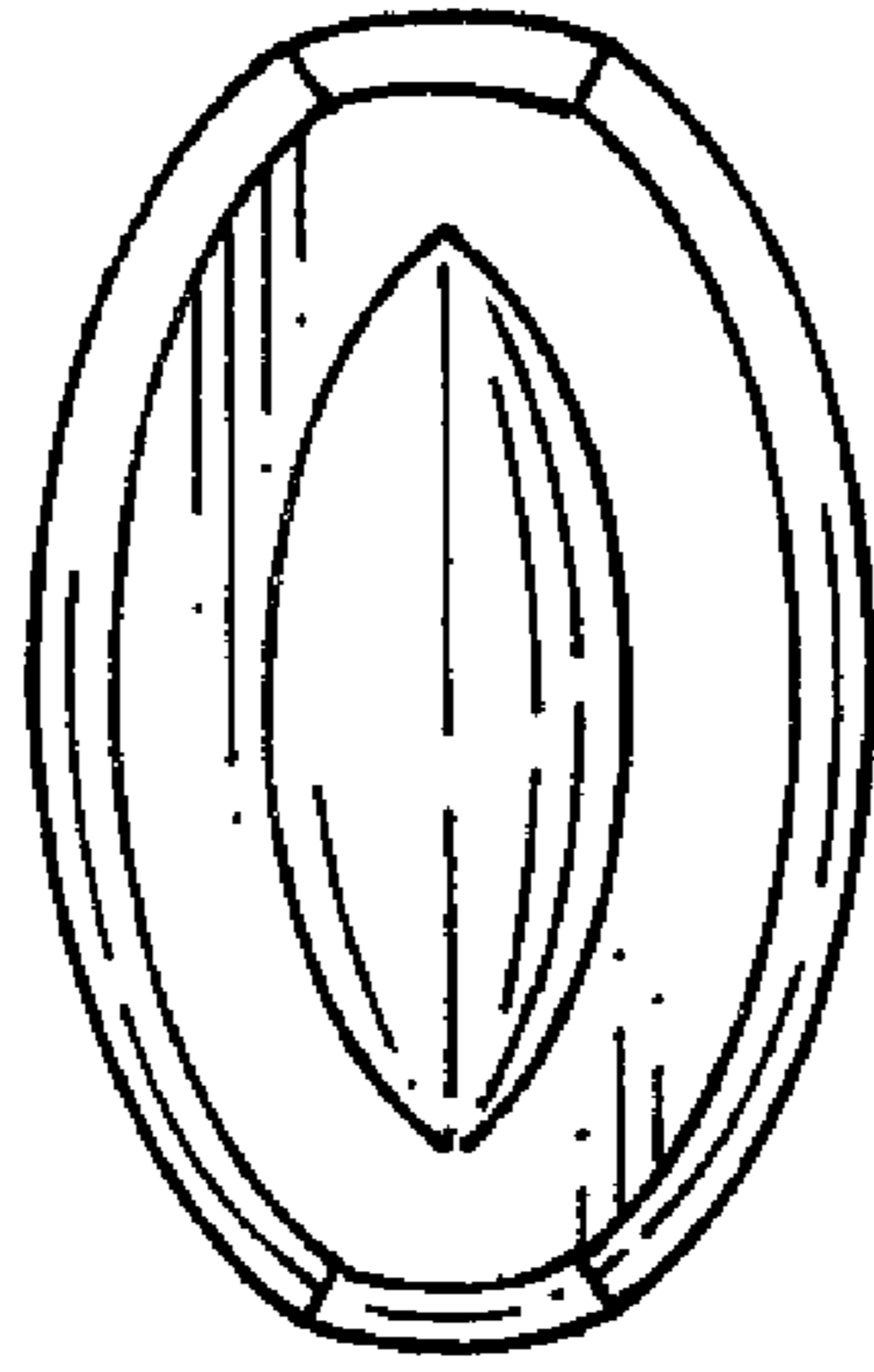


FIG. 6

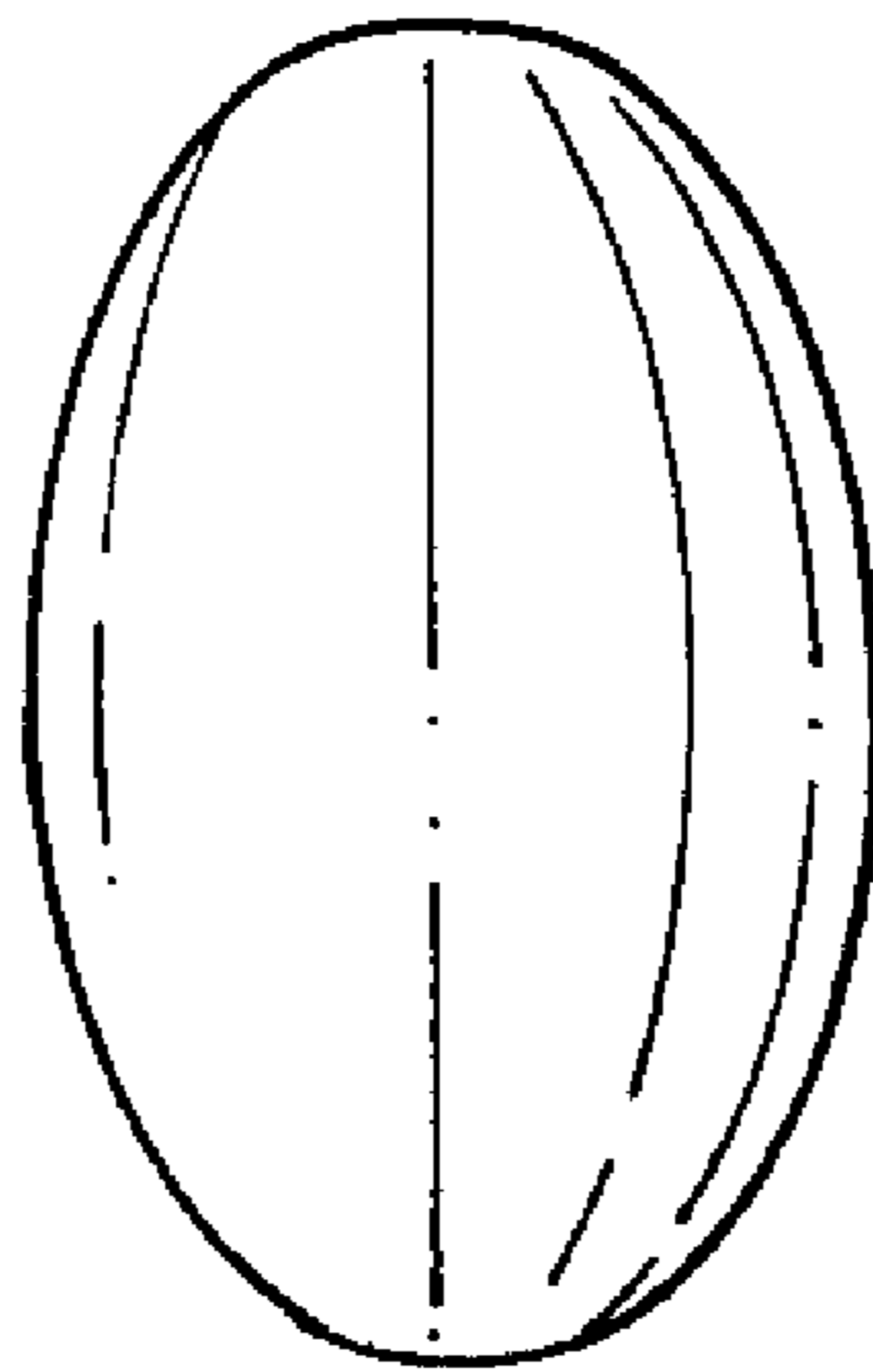


FIG. 7