

US00D599015S

(12) **United States Design Patent**
Petersen

(10) **Patent No.:** **US D599,015 S**

(45) **Date of Patent:** **** Aug. 25, 2009**

(54) **SURGICAL DILATOR IMPACTOR**
(75) Inventor: **David A. Petersen**, Clearwater, FL (US)
(73) Assignee: **Orthopedic Development Corporation**,
Clearwater, FL (US)

(**) Term: **14 Years**

(21) Appl. No.: **29/333,744**

(22) Filed: **Mar. 13, 2009**

(51) **LOC (9) Cl.** **24-02**

(52) **U.S. Cl.** **D24/133; D24/142**

(58) **Field of Classification Search** **D24/133,**
D24/135, 140, 142, 146, 147, 149, 155, 171;
D8/75; 606/53, 60, 105, 914, 915, 916, 80,
606/81, 86 R, 90, 91, 96, 99, 72
See application file for complete search history.

(56) **References Cited**

U.S. PATENT DOCUMENTS

D219,695 S	1/1971	Dole	
D235,968 S	7/1975	Mein	
4,438,769 A	3/1984	Pratt	
4,462,395 A *	7/1984	Johnson	606/75
4,733,812 A	3/1988	Lewis	
D337,639 S	7/1993	Beckman	
5,425,490 A	6/1995	Goble	
5,630,819 A *	5/1997	Ashby et al.	606/81

6,159,214 A	12/2000	Michelson	
D484,781 S	1/2004	Miller	
7,169,182 B2 *	1/2007	Errico et al.	623/17.15
7,396,357 B2 *	7/2008	Tornier et al.	606/91
2004/0167535 A1 *	8/2004	Errico et al.	606/99
2004/0167537 A1 *	8/2004	Errico et al.	606/99
2006/0149285 A1 *	7/2006	Burgi et al.	606/99
2007/0123906 A1 *	5/2007	Errico et al.	606/99
2008/0109006 A1 *	5/2008	Waltersdorff et al.	606/99
2009/0143809 A1 *	6/2009	Assell et al.	606/170

* cited by examiner

Primary Examiner—Ian Simmons

Assistant Examiner—Christopher Lee

(74) *Attorney, Agent, or Firm*—Don J. Pelto, Esquire;
Sheppard Mullin Richter & Hampton, LLP

(57) **CLAIM**

The ornamental design for a surgical dilator impactor, as shown and described.

DESCRIPTION

FIG. 1 is a perspective view of a surgical dilator impactor showing my new design;

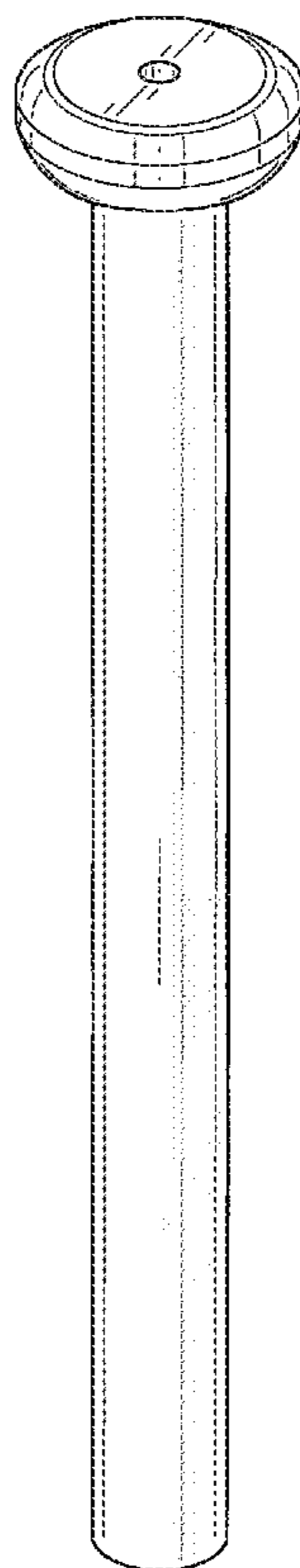
FIG. 2 is side view thereof;

FIG. 3 is a side view of FIG. 2 rotated 180 degrees;

FIG. 4 is a top view thereof; and,

FIG. 5 is a bottom view thereof.

1 Claim, 3 Drawing Sheets



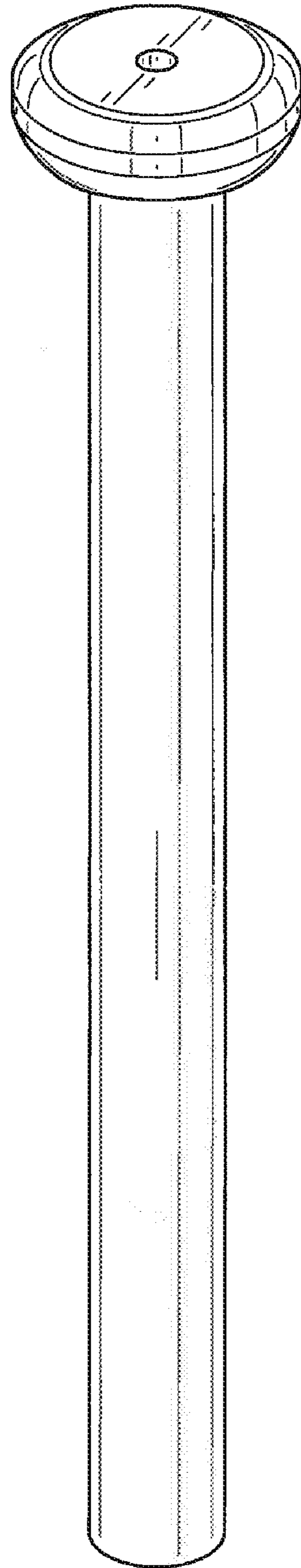


FIG. 1

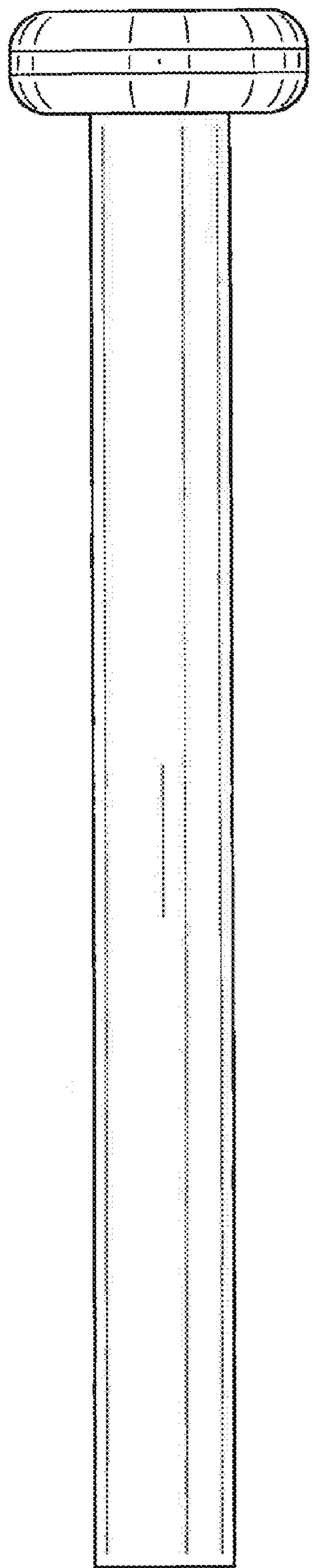


FIG. 2

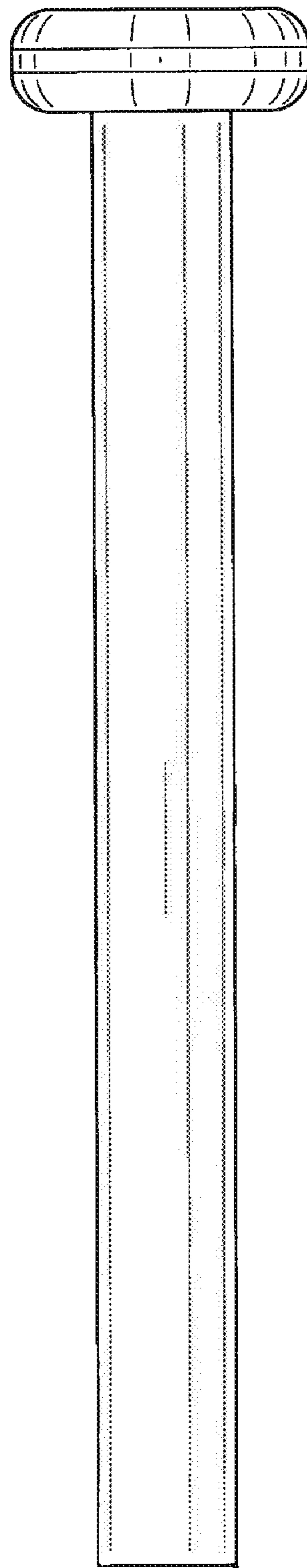


FIG. 3

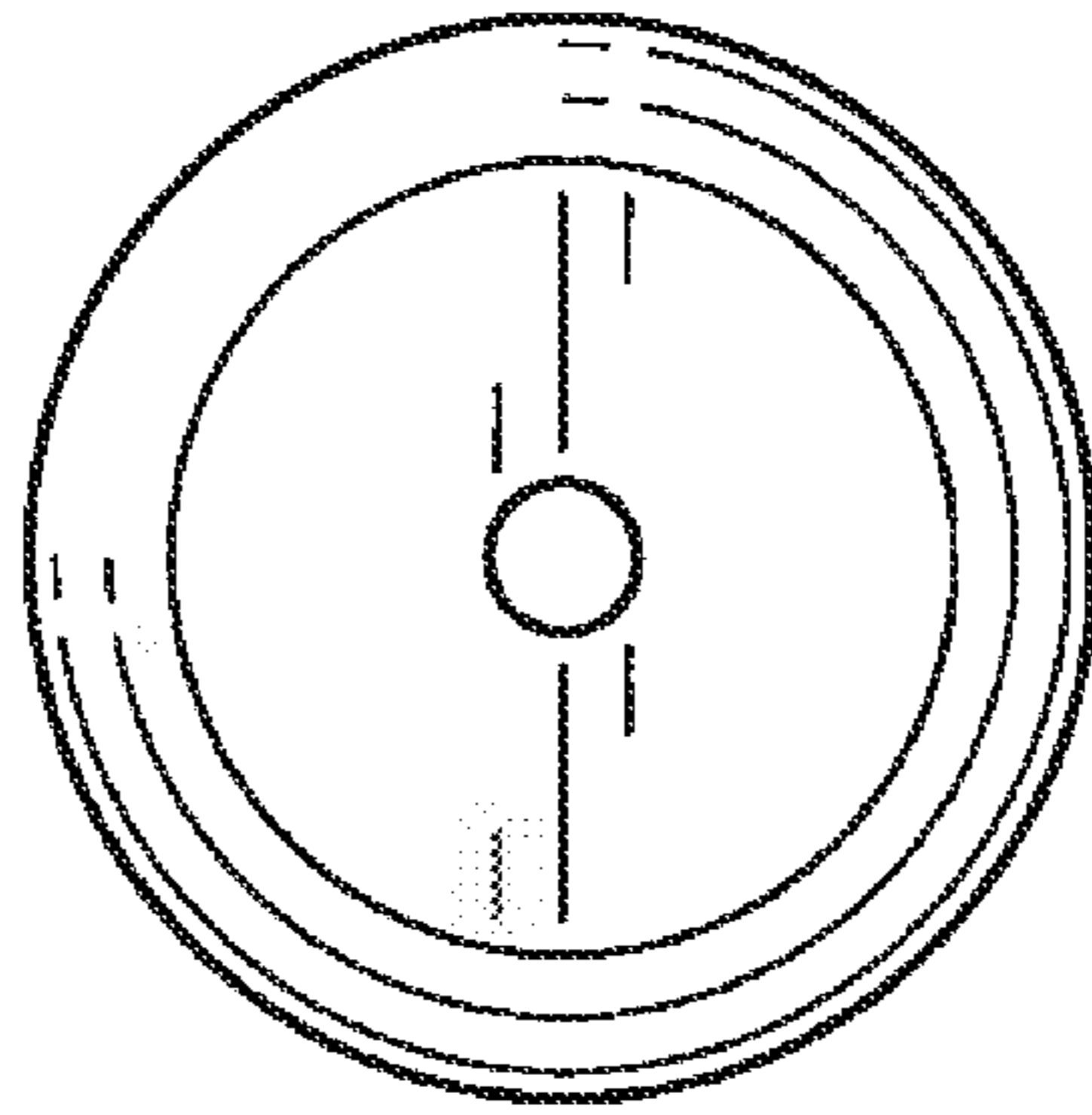


FIG. 4

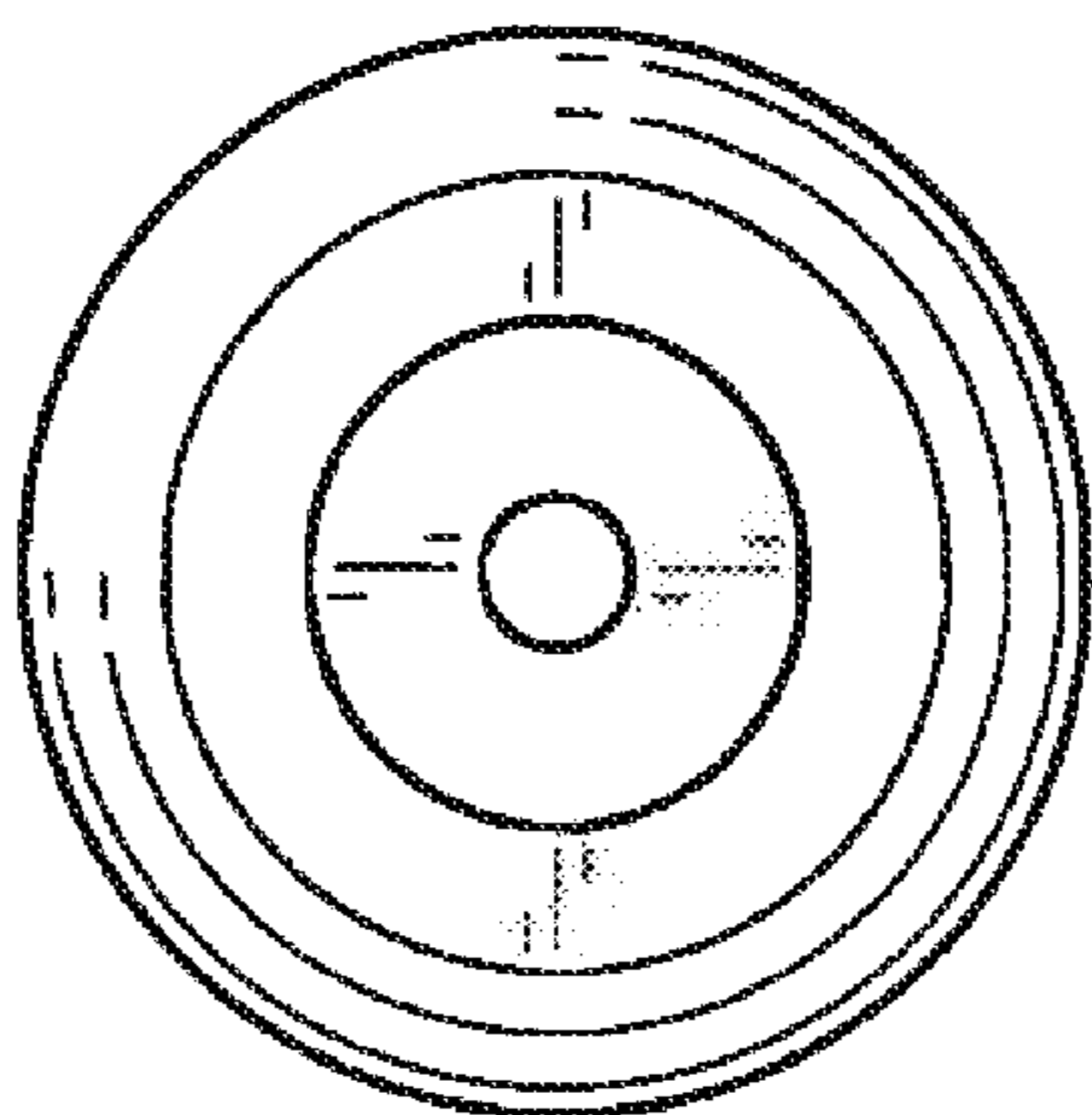


FIG. 5