



US00D599014S

(12) **United States Design Patent**
Boone et al.

(10) **Patent No.:** **US D599,014 S**
(45) **Date of Patent:** **** Aug. 25, 2009**

- (54) **ADHESIVE DISPENSER/APPLICATOR DEVICE**
- (75) Inventors: **Eric J. Boone**, St. Michael, MN (US);
Gardner J. Klaasen, Ada, MI (US)
- (73) Assignee: **Closure Medical Corp. USA**, Raleigh, NC (US)
- (**) Term: **14 Years**
- (21) Appl. No.: **29/296,883**
- (22) Filed: **Oct. 30, 2007**

Related U.S. Application Data

- (62) Division of application No. 29/275,623, filed on Jan. 2, 2007, now Pat. No. Des. 559,385, which is a division of application No. 29/212,559, filed on Sep. 3, 2004, now Pat. No. Des. 540,470.

- (51) **LOC (9) Cl.** **24-02**
- (52) **U.S. Cl.** **D24/133**
- (58) **Field of Classification Search** D24/133,
D24/144, 145; D19/53, 54, 55; D9/337;
222/80; 156/577; 604/3, 904; 606/41, 43,
606/44

See application file for complete search history.

(56) **References Cited**

U.S. PATENT DOCUMENTS

- D145,586 S 9/1946 Reynolds
- D155,031 S 8/1949 Patterson
- 3,797,488 A 3/1974 Hirschman et al.
- 4,543,005 A 9/1985 Kuboshima
- 4,581,021 A 4/1986 Landau et al.
- 4,640,637 A 2/1987 Winthrop
- 4,813,870 A 3/1989 Pitzen et al.
- 4,960,340 A 10/1990 Tamiya et al.
- 5,171,149 A 12/1992 Alpert
- 5,193,928 A 3/1993 Balzer et al.
- 5,308,180 A 5/1994 Pournoor et al.
- 5,358,349 A 10/1994 Burroughs et al.

- 5,445,462 A 8/1995 Johnson et al.
- 5,658,084 A 8/1997 Wirt
- 5,791,801 A 8/1998 Miller
- 5,928,611 A 7/1999 Leung
- 6,099,807 A 8/2000 Leung
- D443,303 S 6/2001 Ashe

(Continued)

Primary Examiner—Charles A. Rademaker
Assistant Examiner—Christopher Lee

(57) **CLAIM**

The ornamental design for an adhesive dispenser/applicator device, as shown and described.

DESCRIPTION

FIG. 1 is a front/top perspective view of an adhesive dispenser/applicator device showing our design, the broken line showing of the hole defines the bounds of the claimed design but does not form part of the claimed design;

FIG. 2 is a left side elevational view of the design of FIG. 1, the right side is a mirror image;

FIG. 3 is a top plan view of the design of FIG. 1;

FIG. 4 bottom plan view of the design of FIG. 1;

FIG. 5 is a front end view of the design of FIG. 1;

FIG. 6 is a rear end view of the design of FIG. 1;

FIG. 7 is a front/top perspective view of a modified embodiment of the design shown in FIGS. 1 through 6, the broken line showing of the hole defines the bounds of the claimed design but does not form part of the claimed design;

FIG. 8 is a left side elevational view of the design of FIG. 7, the right side is a mirror image;

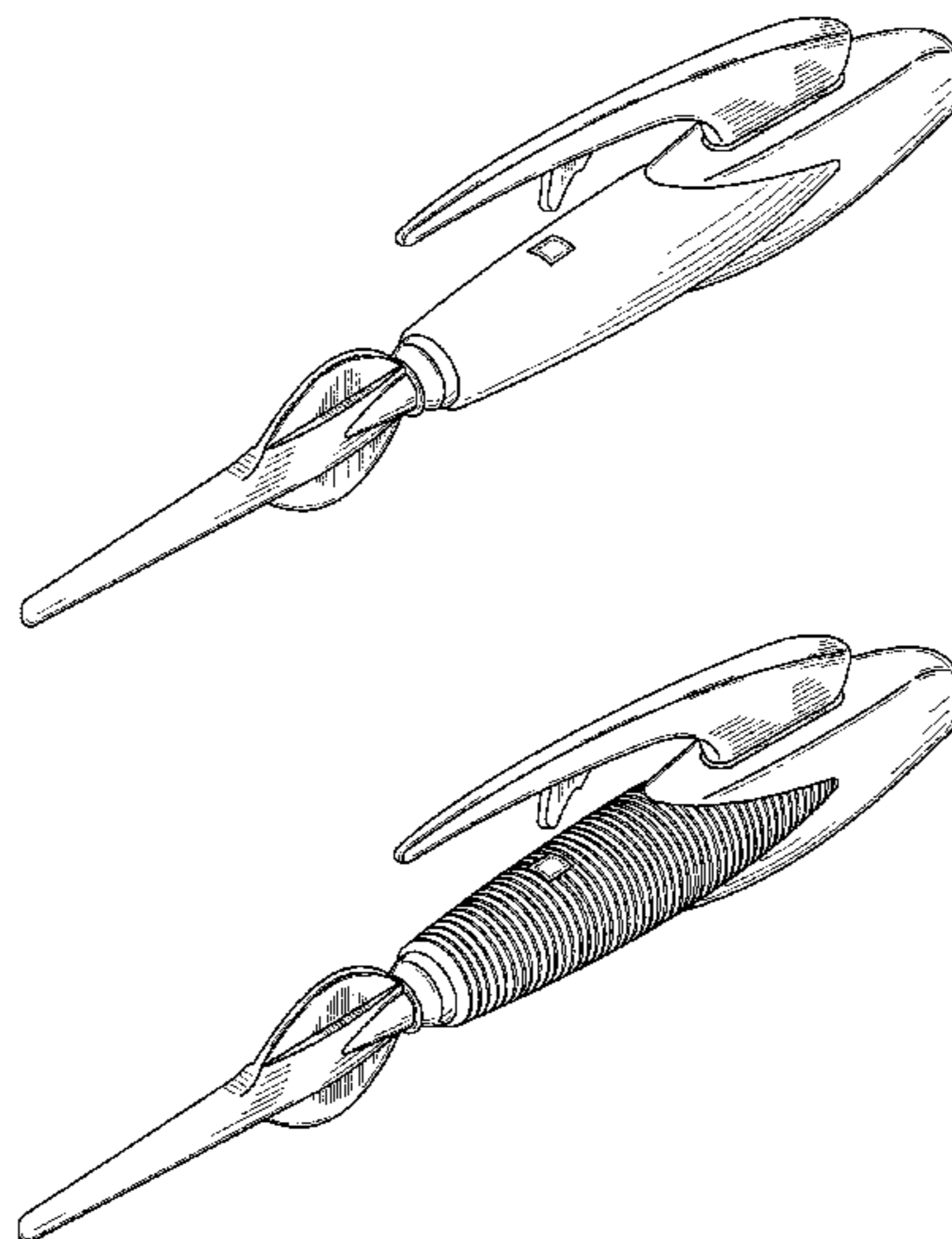
FIG. 9 is a top plan view of the design of FIG. 7;

FIG. 10 bottom plan view of the design of FIG. 7;

FIG. 11 is a front end view of the design of FIG. 7; and,

FIG. 12 is a rear end view of the design of FIG. 7.

1 Claim, 6 Drawing Sheets



US D599,014 S

Page 2

U.S. PATENT DOCUMENTS

6,283,933	B1	9/2001	D'Alessio et al.	6,705,790	B2	3/2004	Quintero et al.
6,328,715	B1	12/2001	Dragan et al.	D491,986	S	6/2004	Bain
6,340,097	B1	1/2002	D'Alessio et al.	D500,085	S	12/2004	Cotter et al.
6,371,675	B1	4/2002	Hoang et al.	2001/0031170	A1	10/2001	Voiers et al.
6,425,704	B2	7/2002	Voiers et al.	2002/0076255	A1	6/2002	Hoang et al.
6,447,476	B1	9/2002	Sogaro	2002/0108875	A1	8/2002	Feinberg et al.
6,478,191	B1	11/2002	D'Alessio et al.	2003/0060746	A1	3/2003	Mark
D471,586	S	3/2003	Geiselhart et al.	2003/0063944	A1	4/2003	Leung
D472,578	S	4/2003	Plantz et al.	2003/0077386	A1	4/2003	Azevedo
6,547,467	B2	4/2003	Quintero	2003/0080151	A1	5/2003	D'Alessio et al.
6,595,940	B1	7/2003	D'Alessio et al.	2003/0186005	A1	10/2003	Rivera et al.
				2006/0049203	A1	3/2006	Boone et al.

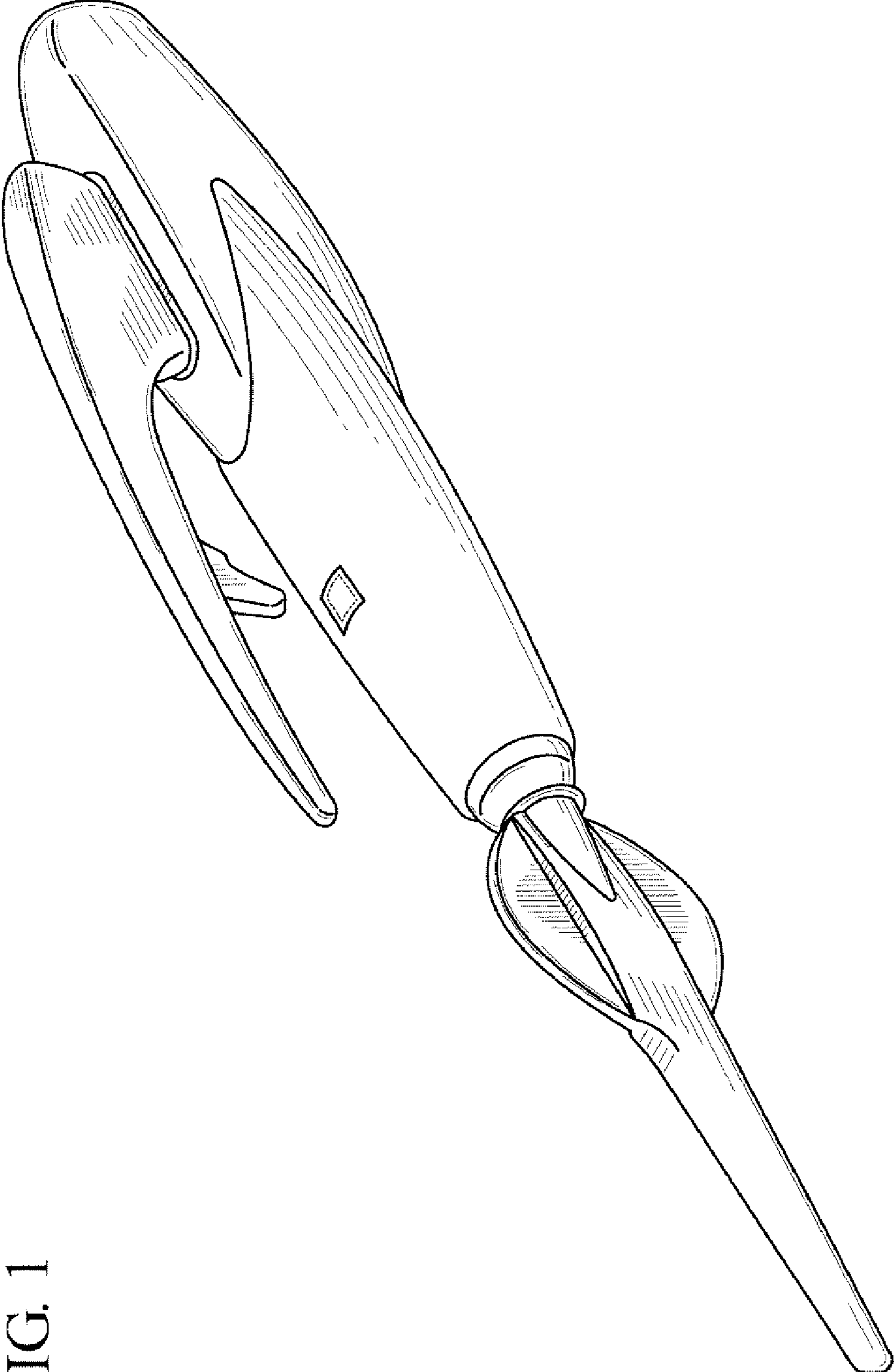


FIG. 1

FIG. 2

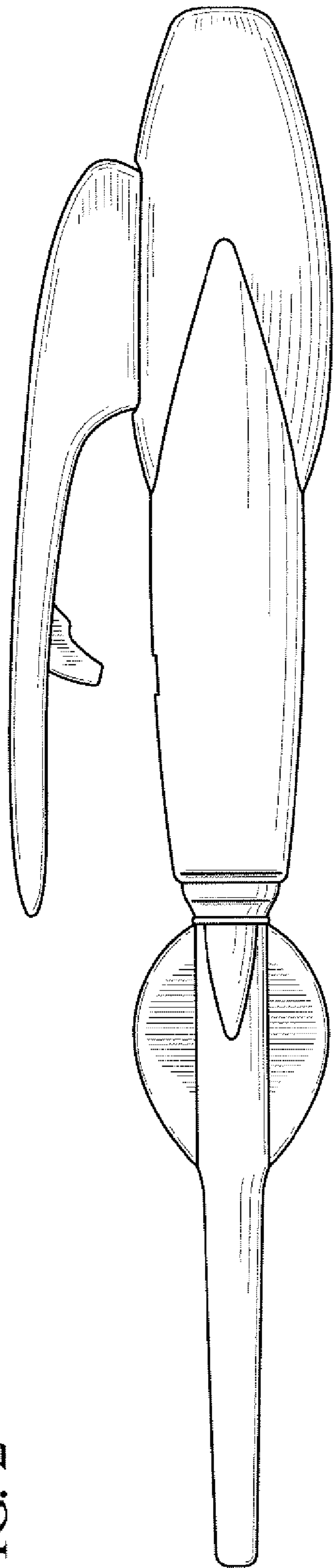


FIG. 3

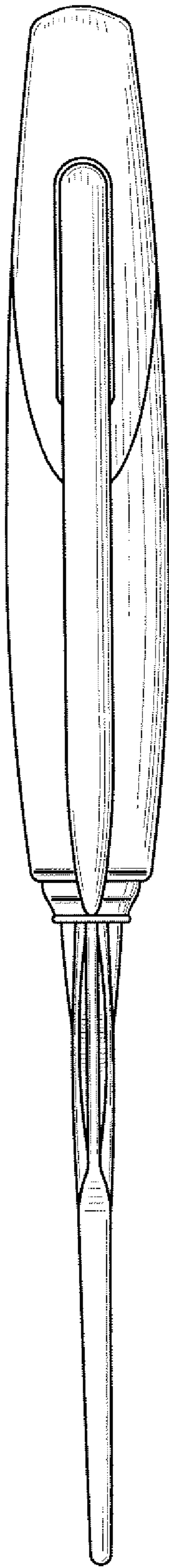


FIG. 4

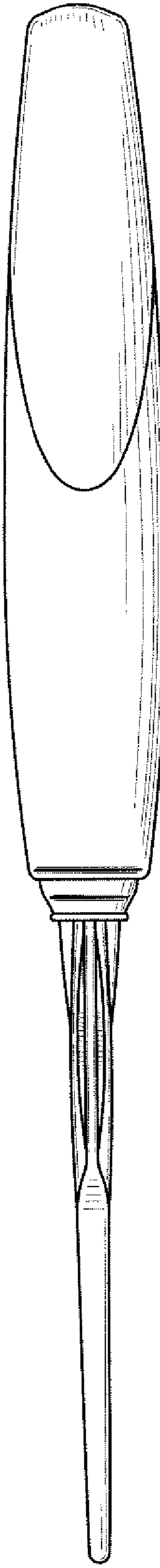


FIG. 6

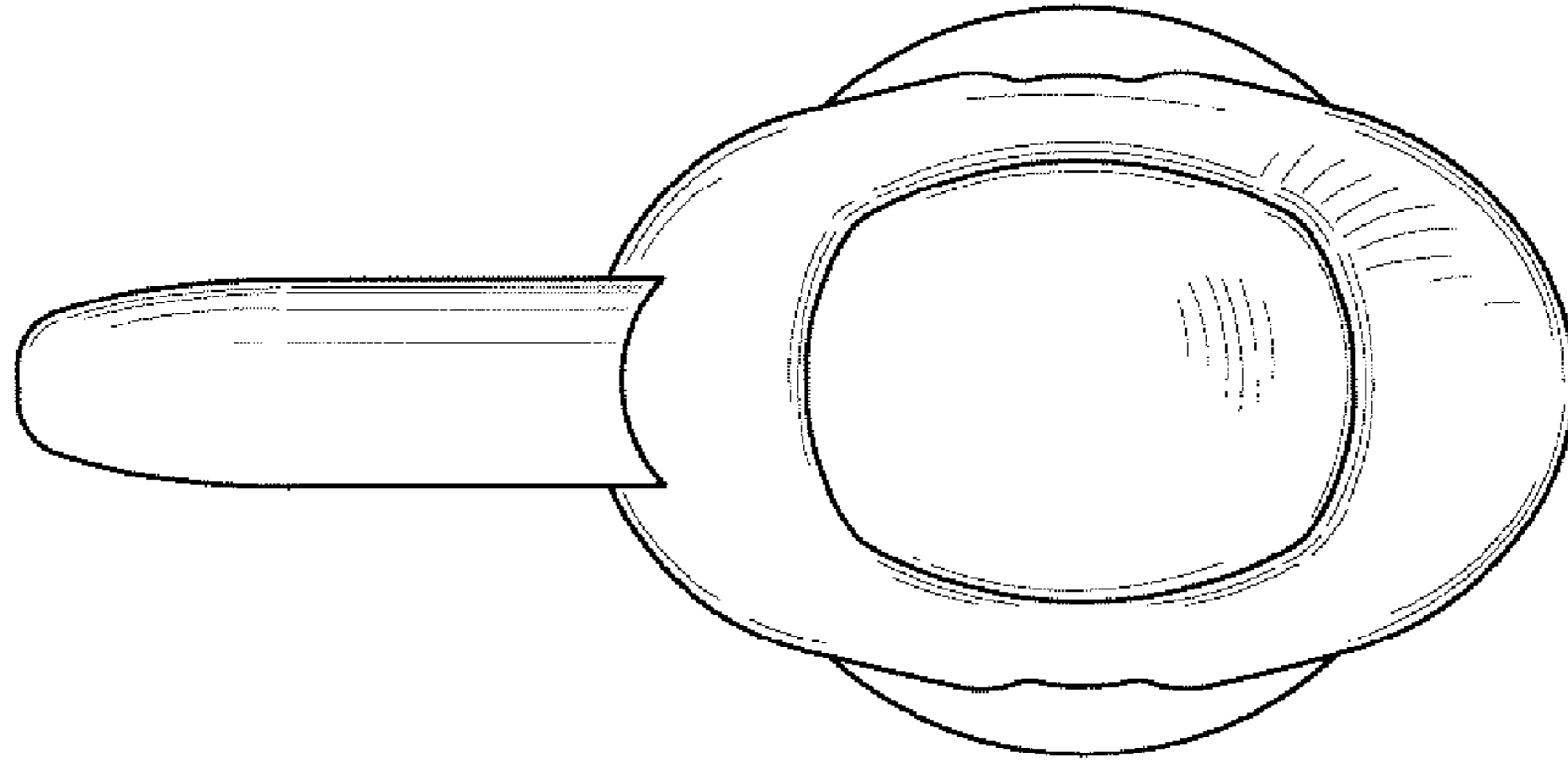
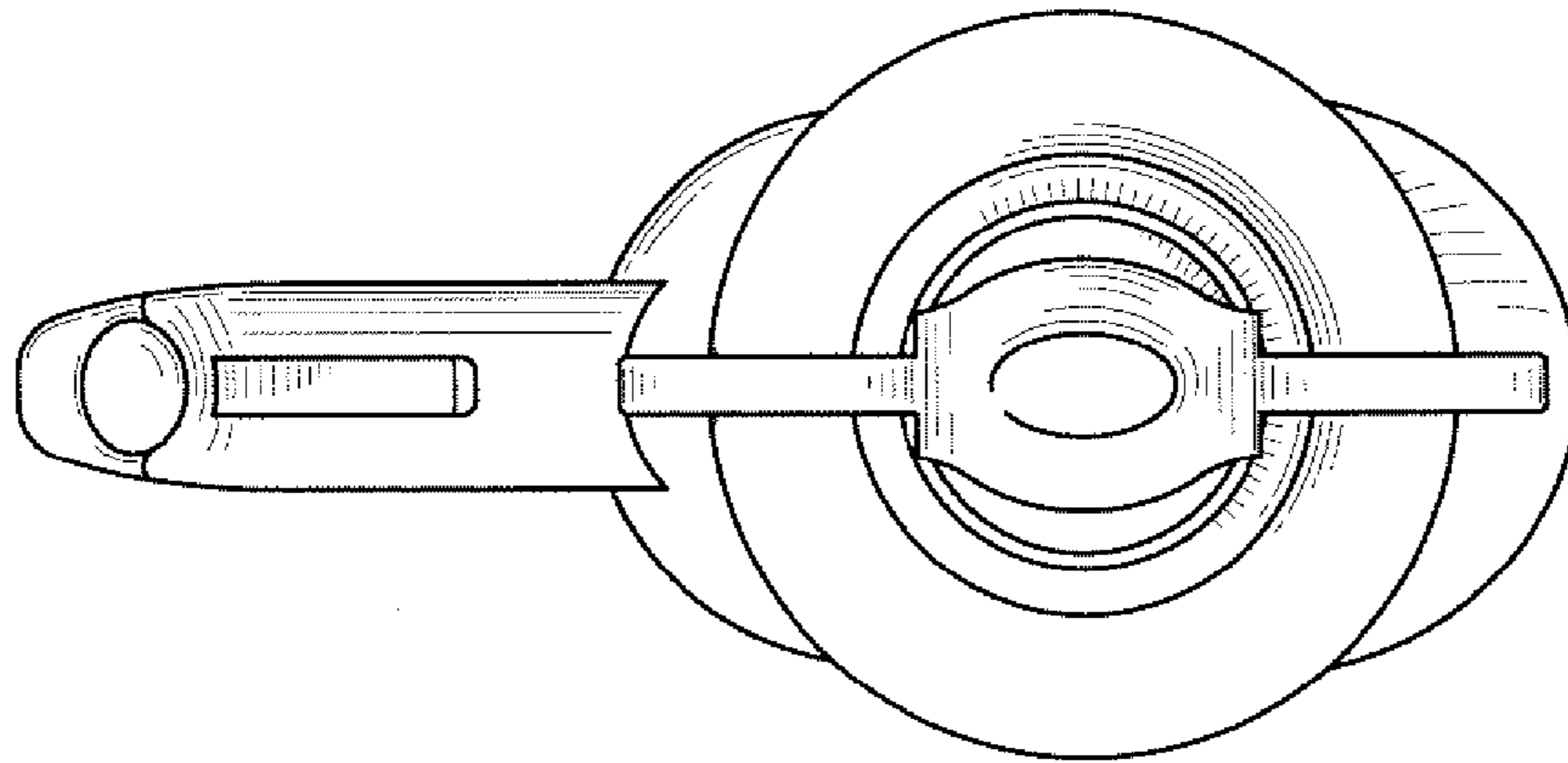


FIG. 5



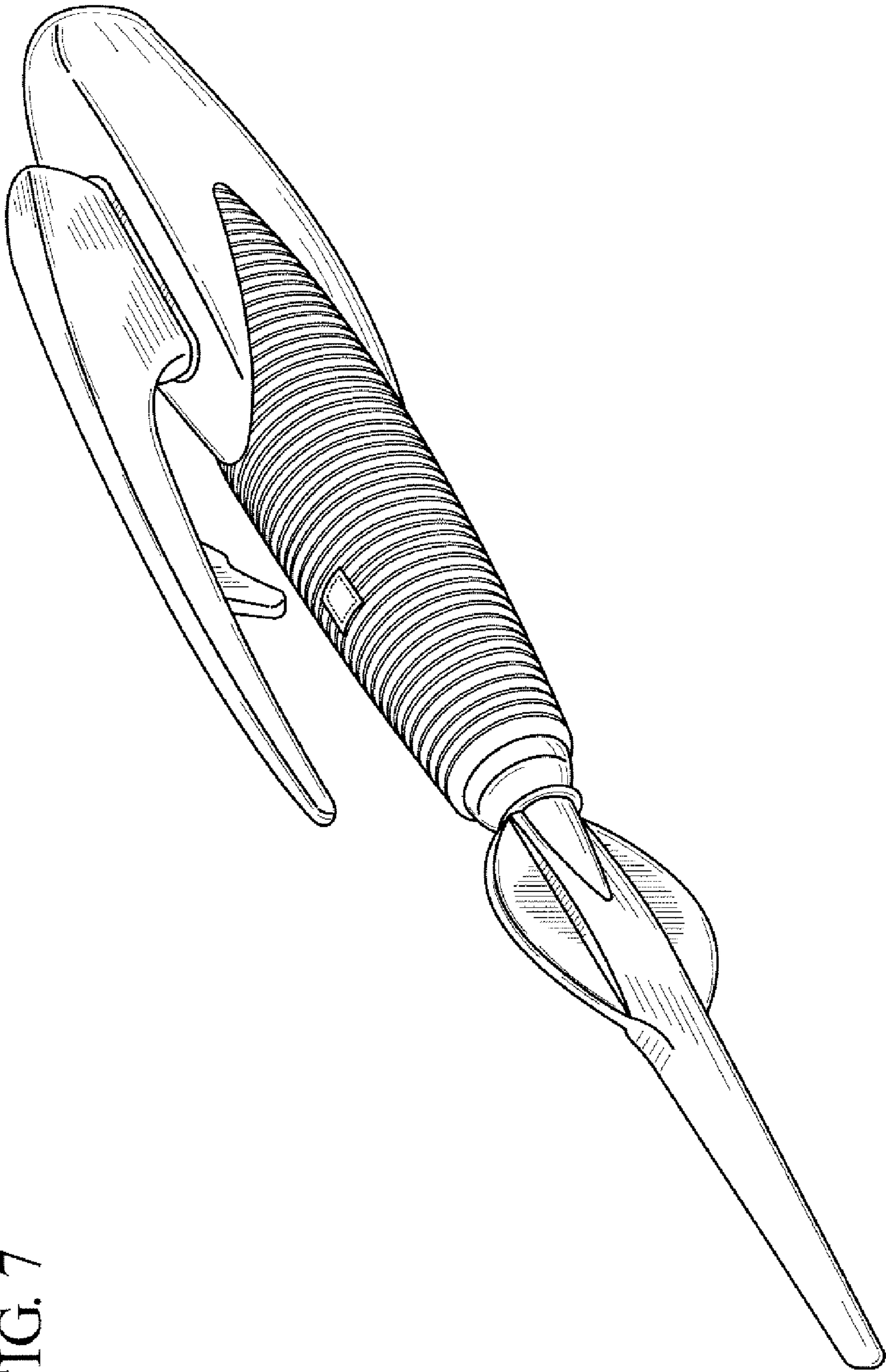


FIG. 7

FIG. 8

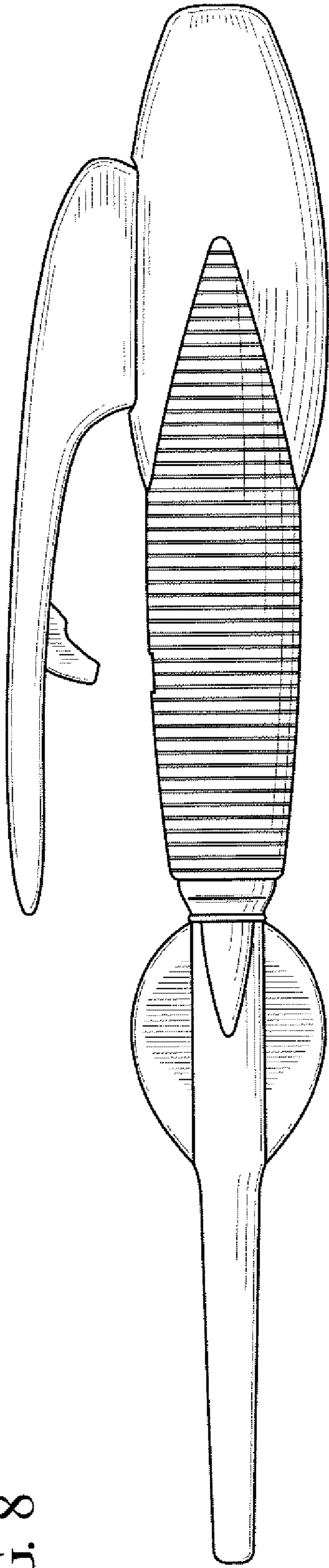


FIG. 9

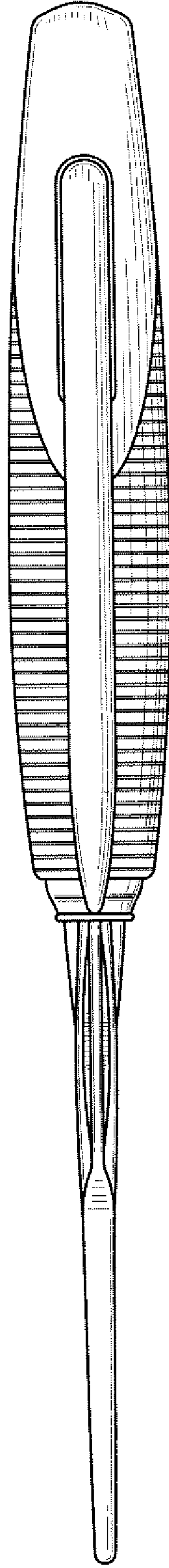


FIG. 10

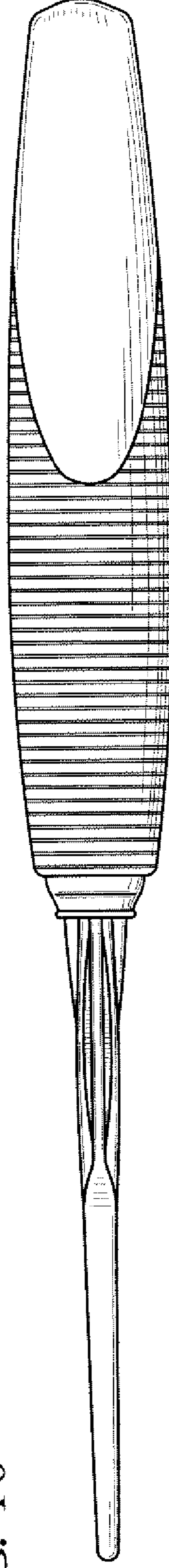


FIG. 12

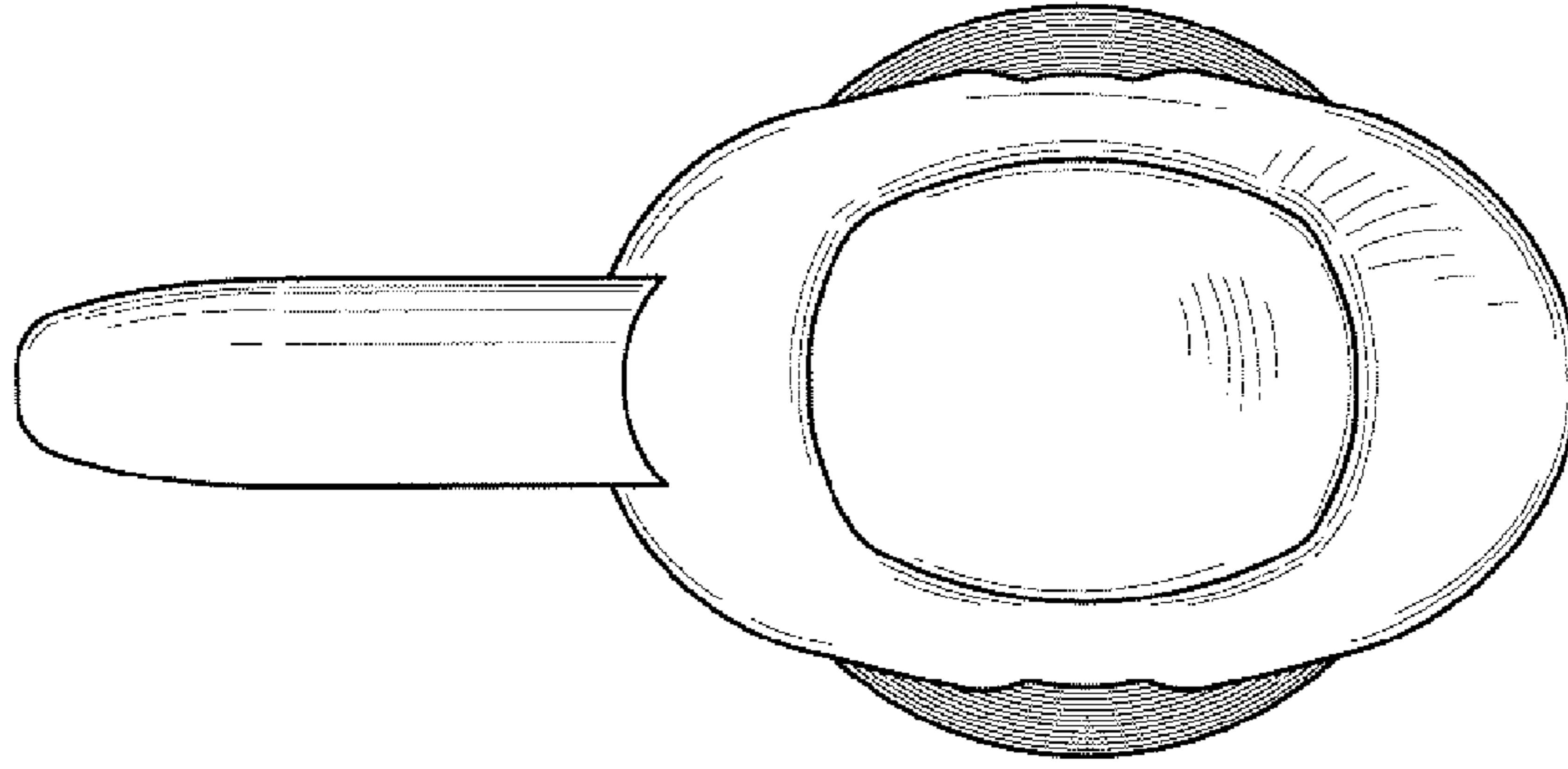


FIG. 11

