



US00D599012S

(12) **United States Design Patent**
Falbaum et al.

(10) **Patent No.:** **US D599,012 S**

(45) **Date of Patent:** **** Aug. 25, 2009**

(54) **DILUTION DISPENSER**

D456,075 S * 4/2002 Clements et al. D24/121
D482,793 S * 11/2003 Oyama et al. D24/224

(75) Inventors: **David Falbaum**, Minneapolis, MN (US); **Brian Philip Carlson**, St. Paul, MN (US); **Michael Patrick Kremer**, Rosemount, MN (US)

* cited by examiner

Primary Examiner—T. Chase Nelson

Assistant Examiner—David G Muller

(74) *Attorney, Agent, or Firm*—IPLM Group, P.A.

(73) Assignee: **Ecolab Inc.**, St. Paul, MN (US)

(**) Term: **14 Years**

(57) **CLAIM**

(21) Appl. No.: **29/329,239**

The ornamental design for a dilution dispenser, as shown and described.

(22) Filed: **Dec. 11, 2008**

DESCRIPTION

(51) **LOC (9) Cl.** **24-04**

FIG. 1 is a perspective view of a dilution dispenser according to the principles of the present invention;

(52) **U.S. Cl.** **D24/121**

FIG. 2 is a front view of the dilution dispenser shown in FIG. 1;

(58) **Field of Classification Search** D24/121–123, D24/117, 108, 111, 118, 224; D9/732, 733, D9/738, 516; D7/589; D30/129, 128, 131, D30/132, 121; 604/317, 319; 222/72

FIG. 3 is a rear view of the dilution dispenser shown in FIG. 1;

See application file for complete search history.

FIG. 4 is a right side view of the dilution dispenser shown in FIG. 1;

(56) **References Cited**

FIG. 5 is a left side view of the dilution dispenser shown in FIG. 1;

U.S. PATENT DOCUMENTS

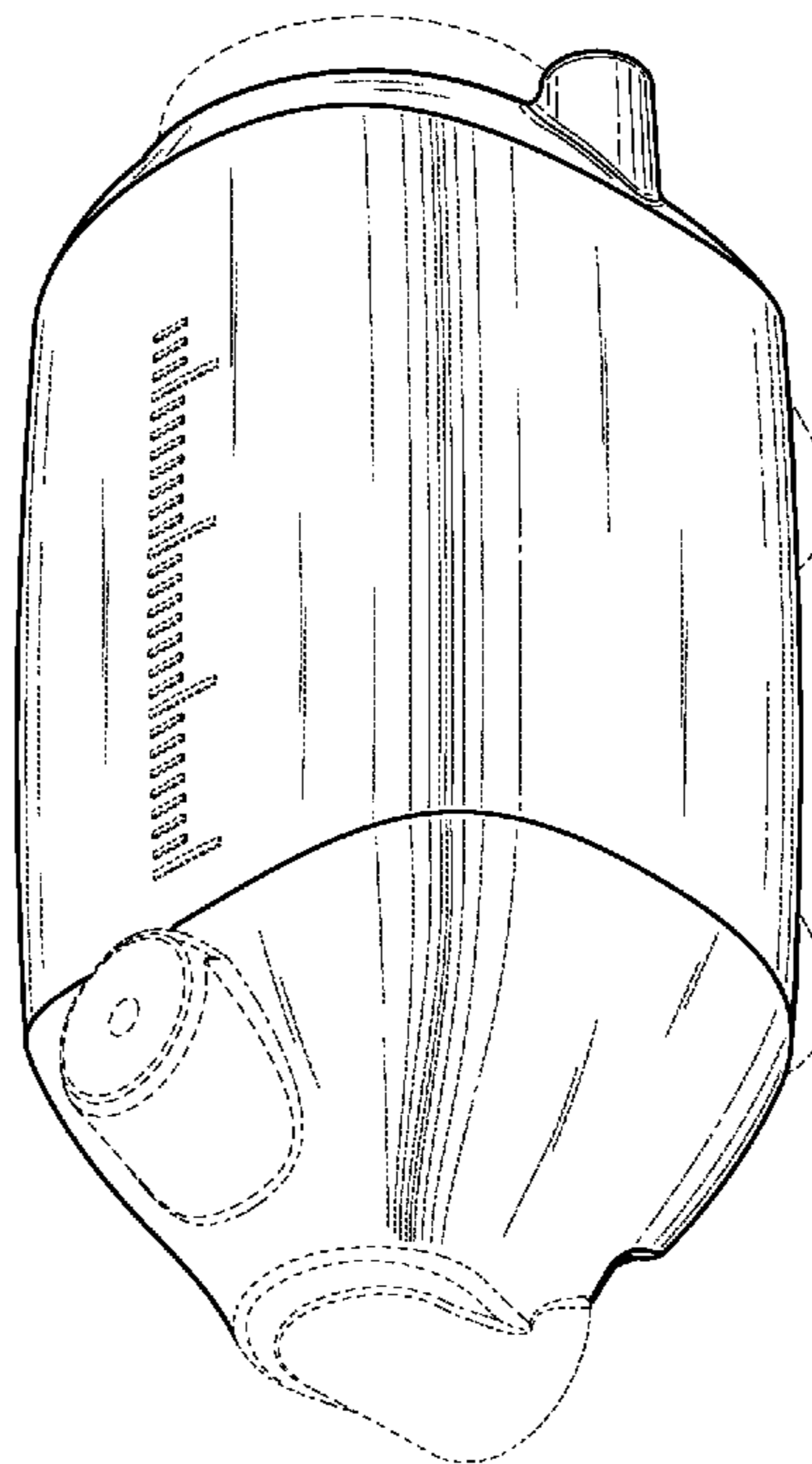
D249,076 S * 8/1978 Meeker et al. D30/132
D295,560 S * 5/1988 Bruno et al. D24/117
D332,657 S * 1/1993 Bamford D24/117
D348,315 S * 6/1994 Hanifl et al. D24/122
D370,263 S * 5/1996 Falkenberg et al. D24/224
D372,075 S * 7/1996 Baxley D24/122
D372,531 S * 8/1996 MacAuley et al. D24/121
D390,469 S * 2/1998 Macauley et al. D24/121
D392,038 S * 3/1998 Annis D24/121
D403,079 S * 12/1998 Pawlak et al. D24/224
D453,829 S * 2/2002 McMahon et al. D24/108

FIG. 6 is a top view of the dilution dispenser shown in FIG. 1; and,

FIG. 7 is a bottom view of the dilution dispenser shown in FIG. 1.

The broken line showing of parts of the dilution dispenser is included for the purpose of illustrating use and environment and forms no part of the claimed design.

1 Claim, 6 Drawing Sheets



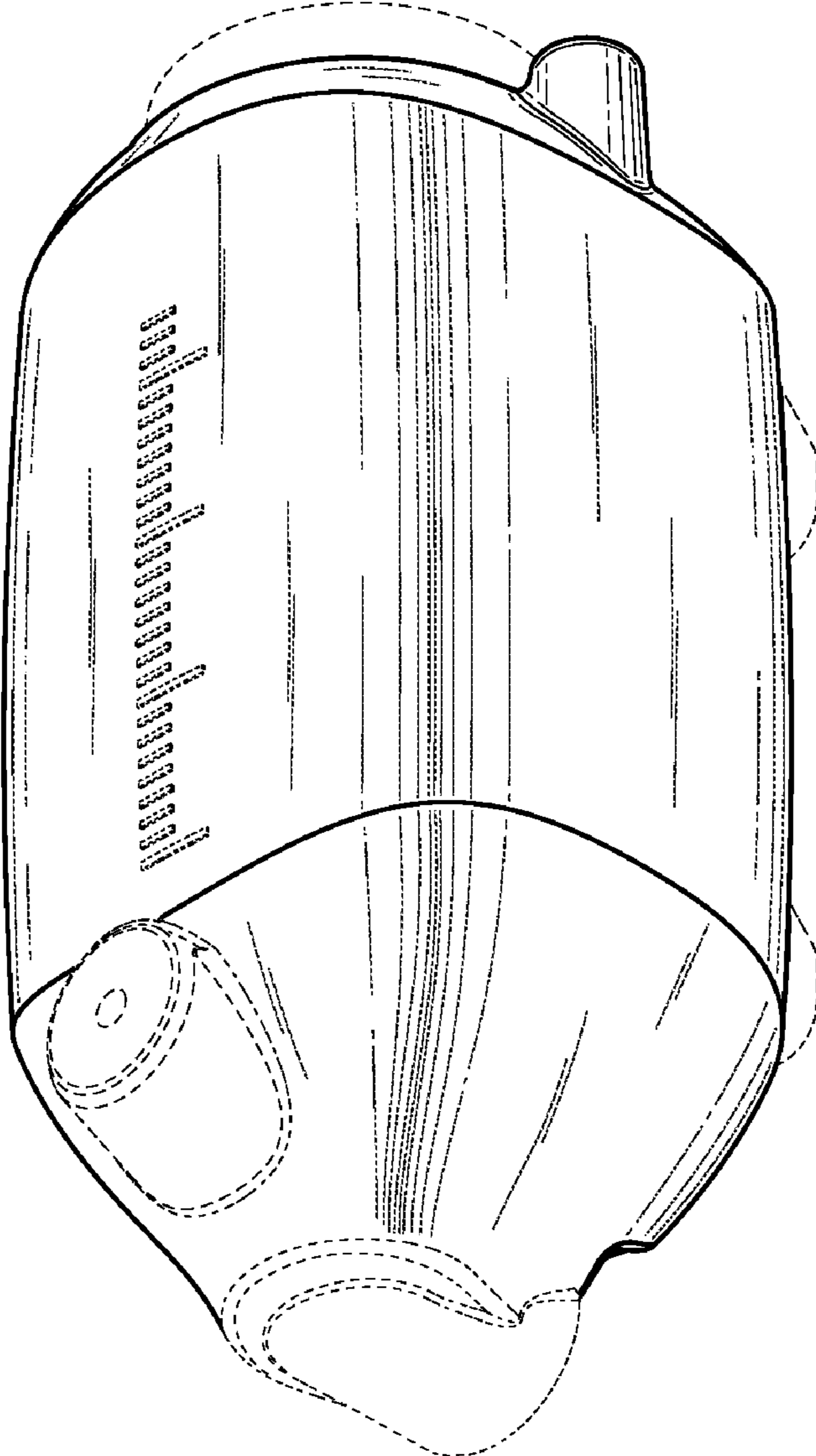


Fig. 1

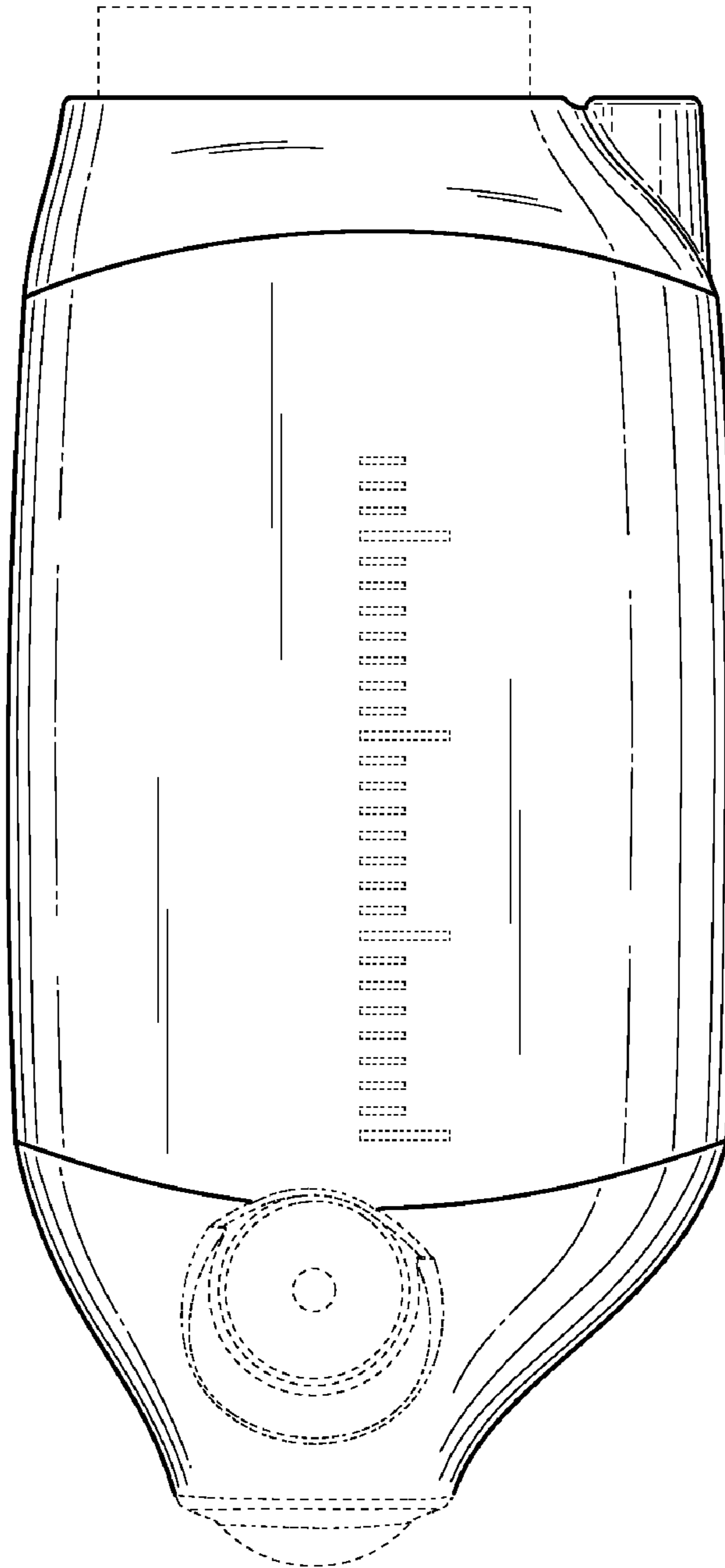


Fig. 2

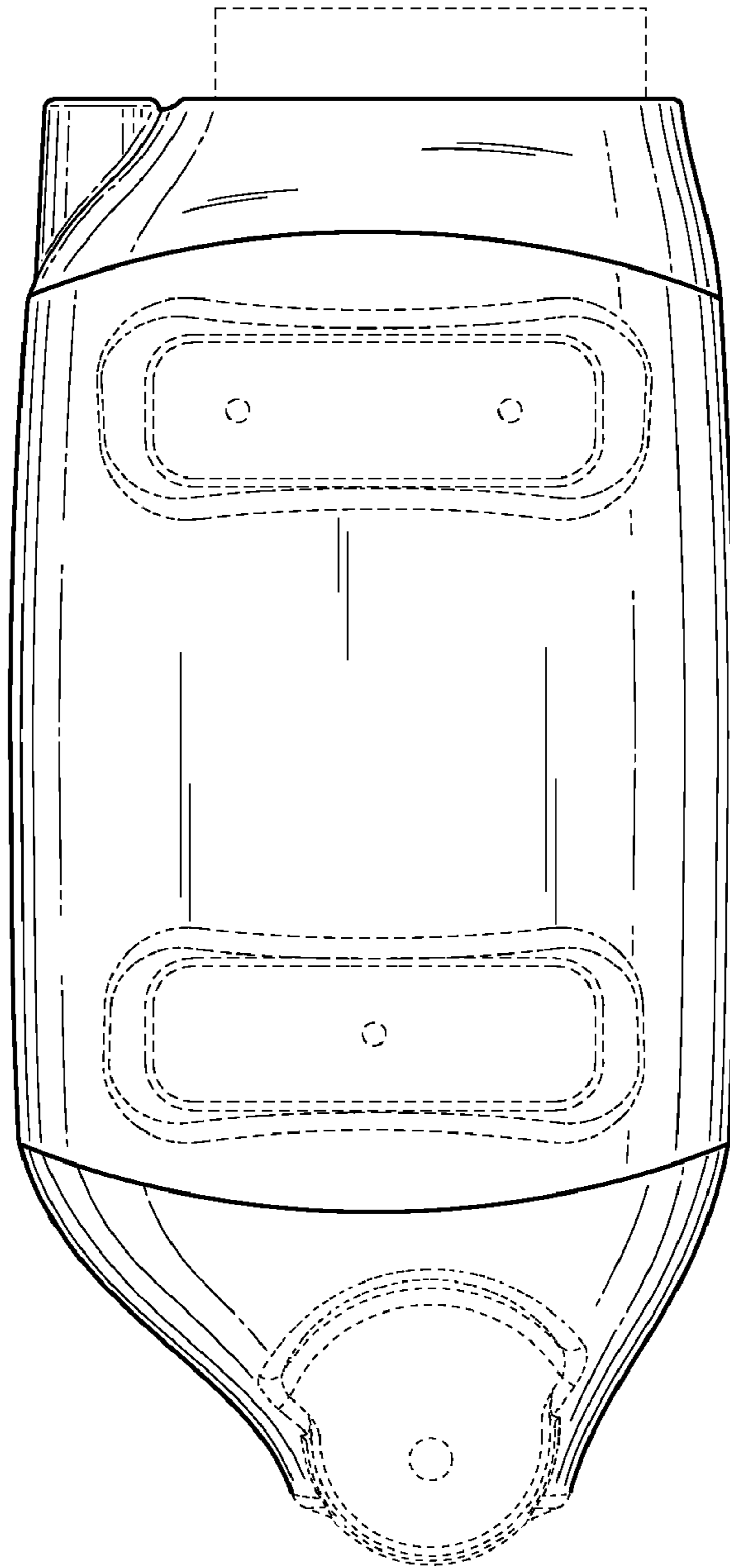


Fig. 3

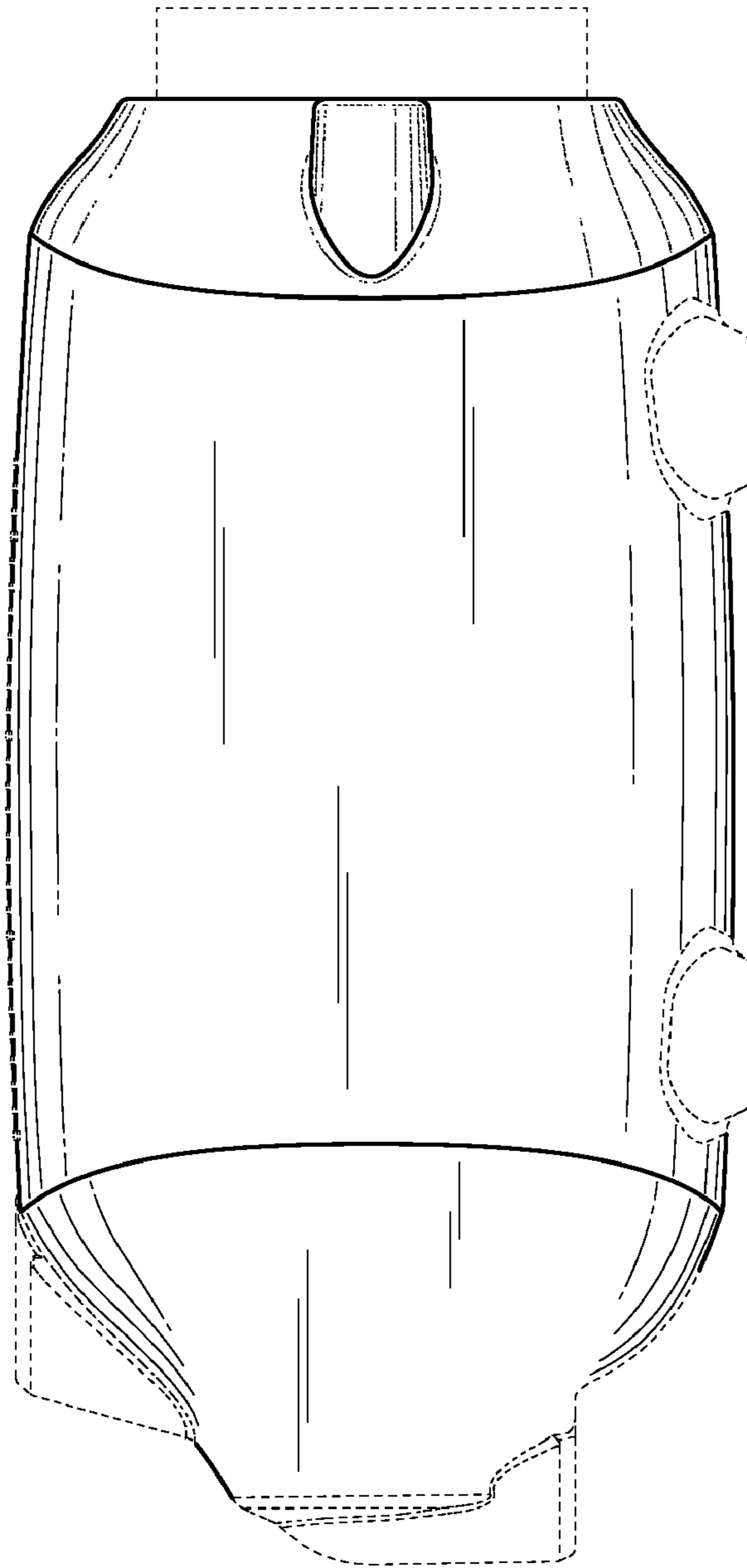


Fig. 4

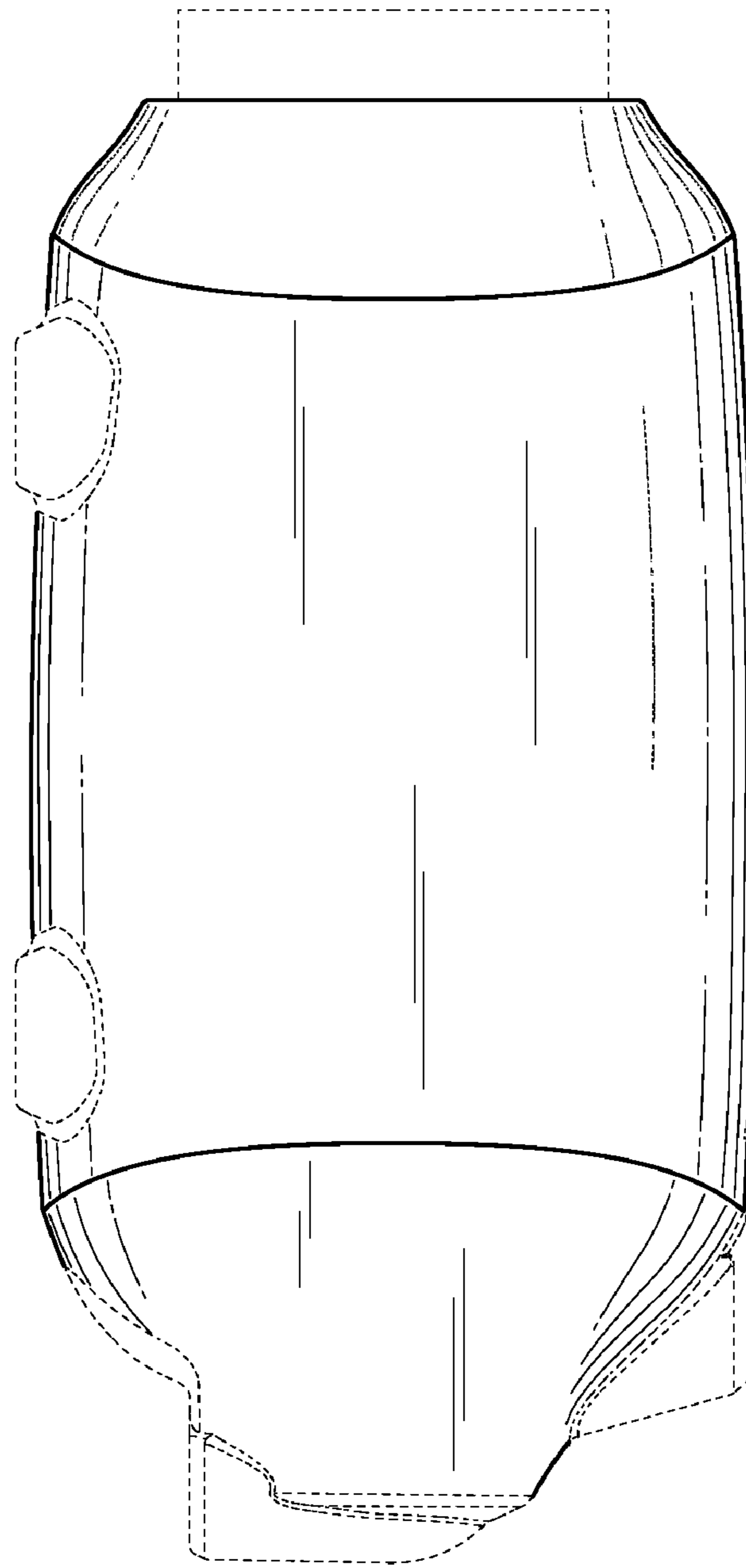


Fig. 5

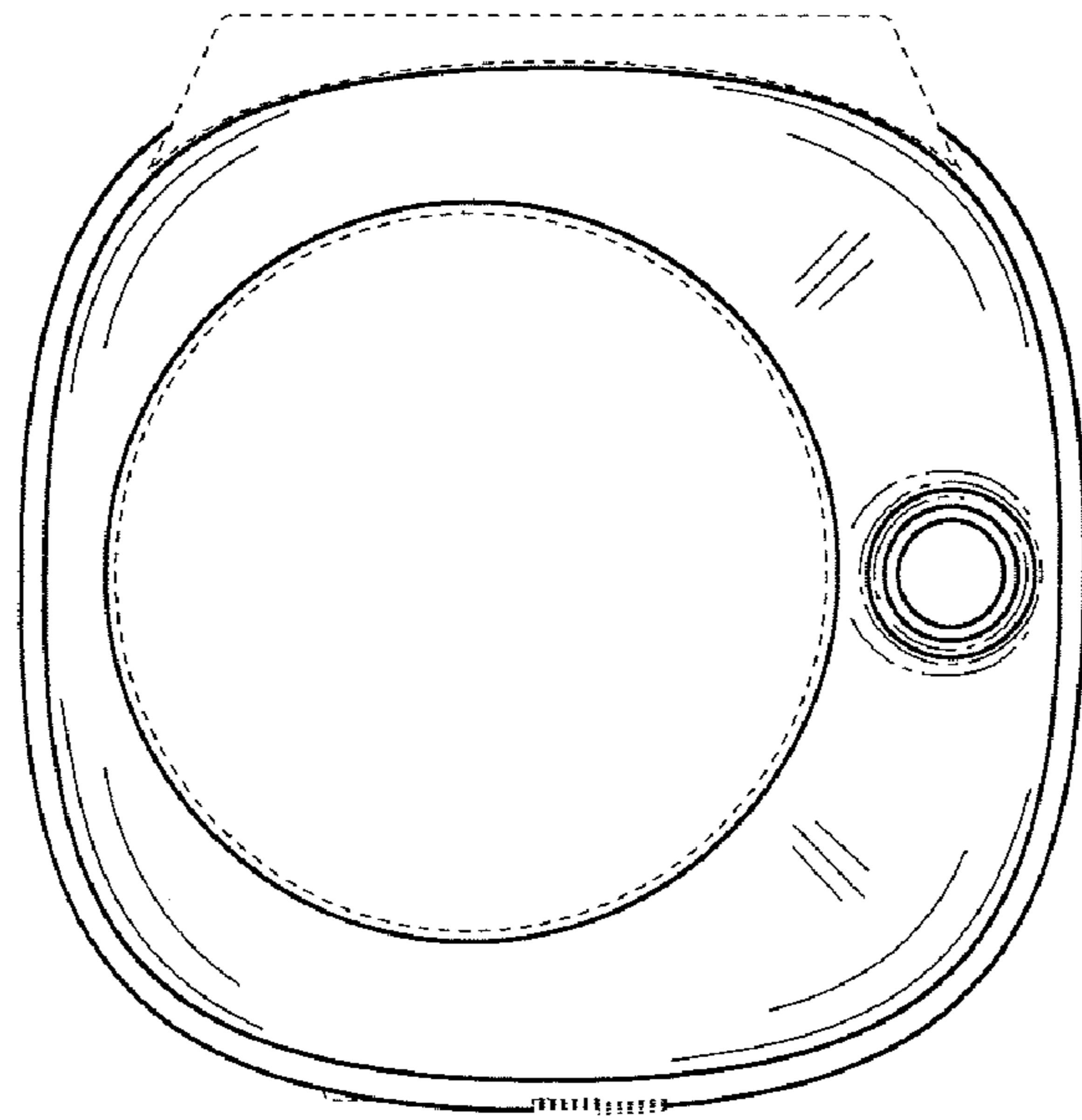


Fig. 6

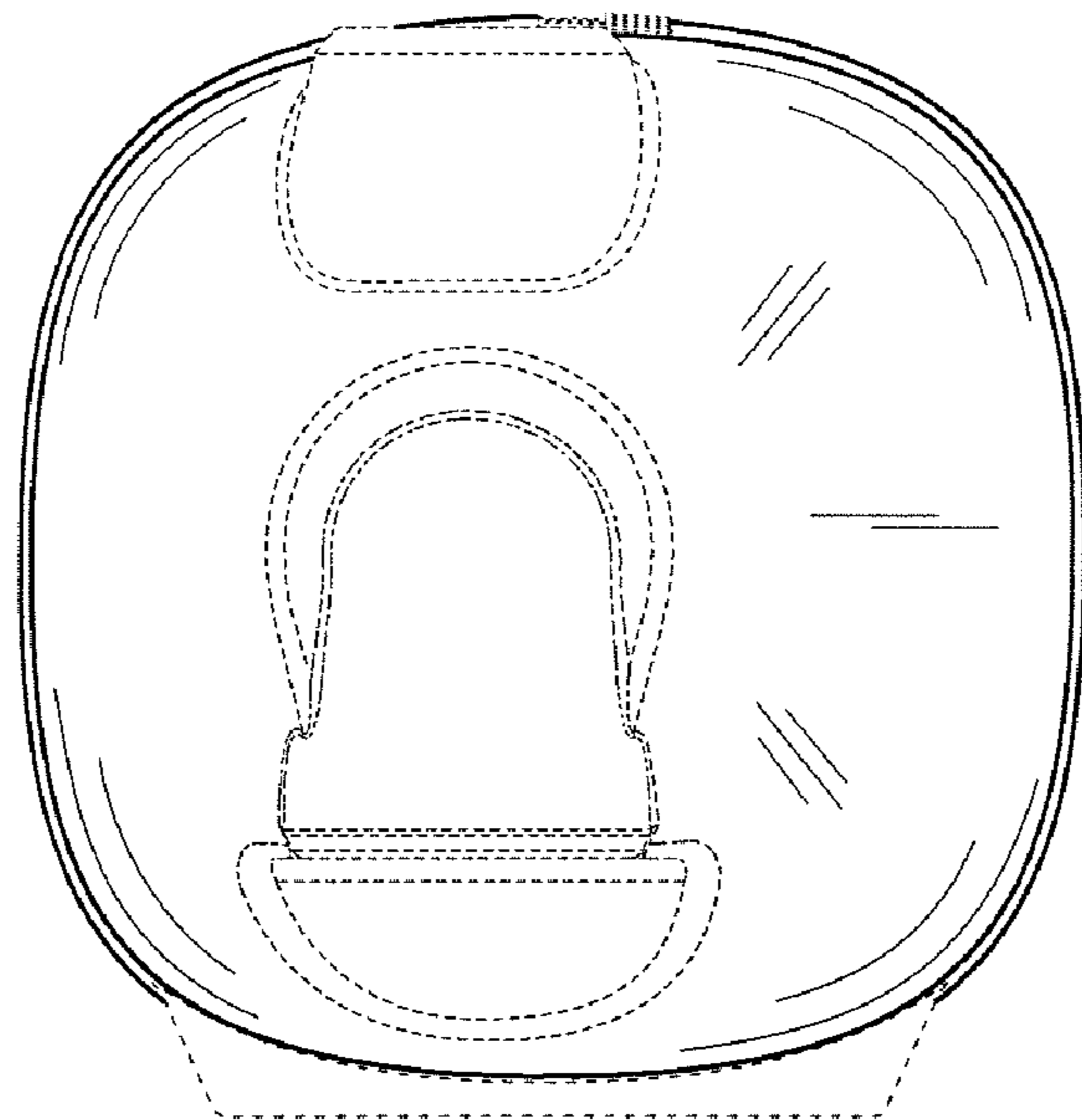


Fig. 7