



US00D599007S

(12) **United States Design Patent**  
**Stallard**

(10) **Patent No.:** **US D599,007 S**

(45) **Date of Patent:** **\*\* Aug. 25, 2009**

(54) **PORT PLUG FOR RESPIRATORY MASK**

(75) Inventor: **Philip Thomas Stallard**, Denistone East (AU)

(73) Assignee: **ResMed Limited**, Bella Vista (AU)

(\*\*) Term: **14 Years**

(21) Appl. No.: **29/251,704**

(22) Filed: **Jan. 12, 2006**

(51) **LOC (9) Cl.** ..... **29-02**

(52) **U.S. Cl.** ..... **D24/110.1; D24/110.4; D24/110.5**

(58) **Field of Classification Search** ..... D24/110.1, D24/110.4, 110.5; 128/205.25, 206.21, 206.26, 128/206.27, 207.11, 207.13, 207.17  
See application file for complete search history.

(56) **References Cited**

**U.S. PATENT DOCUMENTS**

6,439,230 B1 \* 8/2002 Gunaratnam et al. ... 128/206.21  
D486,907 S \* 2/2004 Guney et al. .... D24/110.1

D519,207 S \* 4/2006 Raje et al. .... D24/110.1  
2002/0157672 A1 \* 10/2002 Gunaratnam et al. ... 128/205.25  
2004/0118406 A1 \* 6/2004 Lithgow et al. .... 128/206.24

\* cited by examiner

*Primary Examiner*—Antoine D. Davis

*Assistant Examiner*—Christopher Lee

(74) *Attorney, Agent, or Firm*—Nixon & Vanderhye P.C.

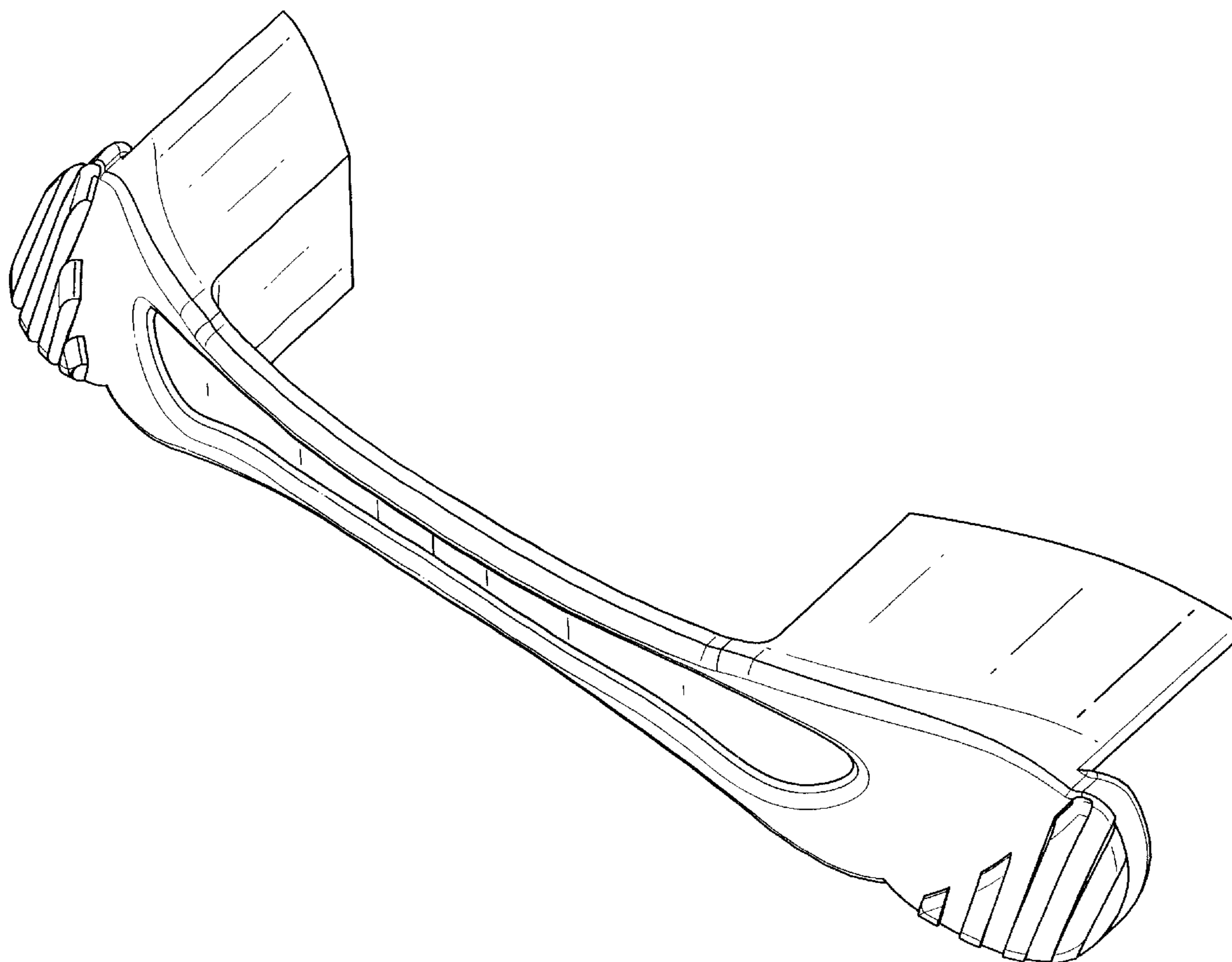
(57) **CLAIM**

The ornamental design for a port plug for respiratory mask, as shown and described.

**DESCRIPTION**

FIG. 1 is a perspective view of a port plug for a respiratory mask according to an embodiment of my design;  
FIG. 2 is a front view thereof;  
FIG. 3 is a rear view thereof;  
FIG. 4 is a left side view thereof;  
FIG. 5 is a right side view thereof;  
FIG. 6 is a top view thereof;and  
FIG. 7 is a bottom view thereof.

**1 Claim, 3 Drawing Sheets**



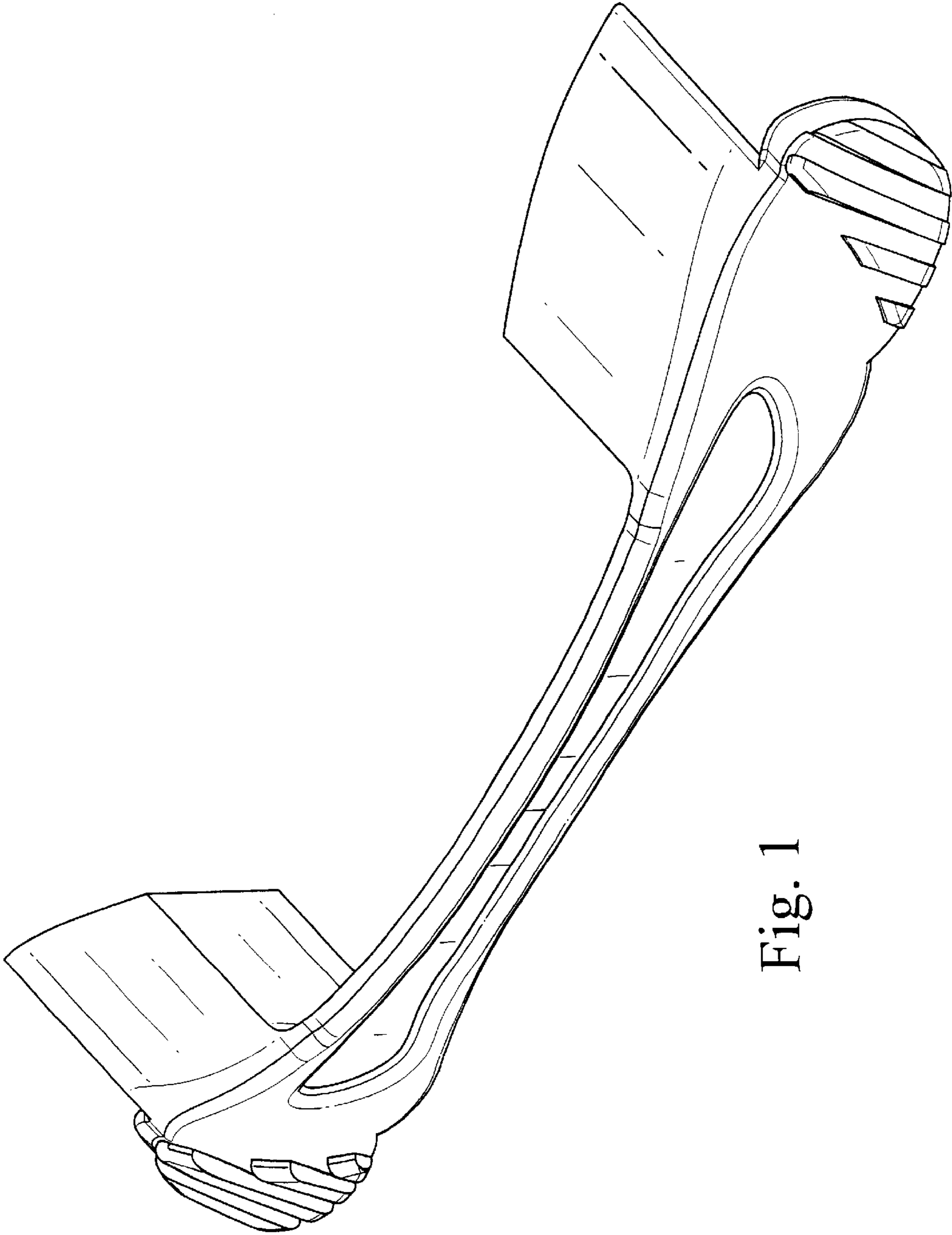


Fig. 1

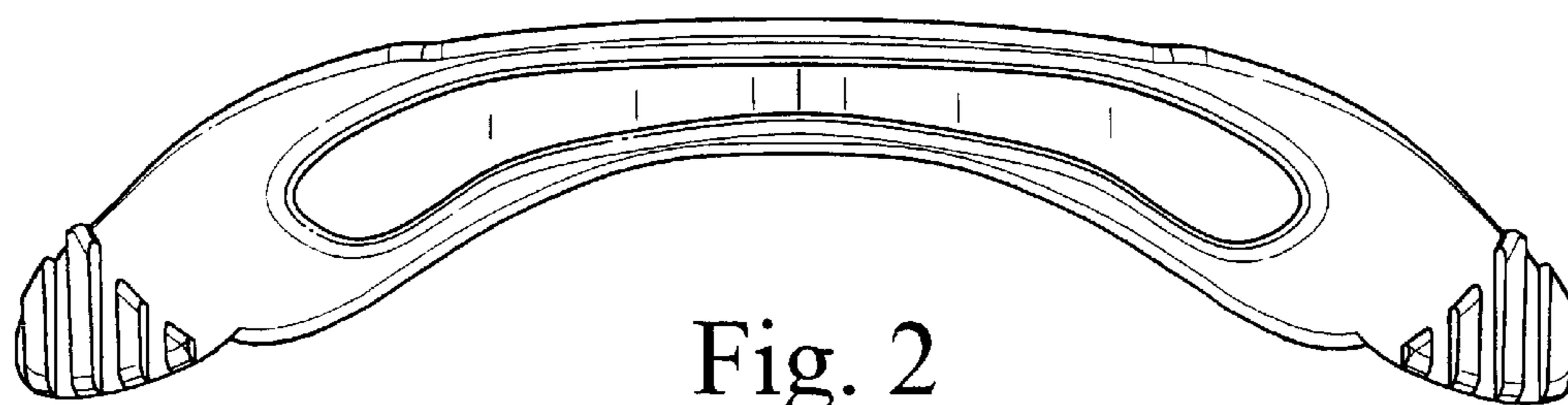


Fig. 2

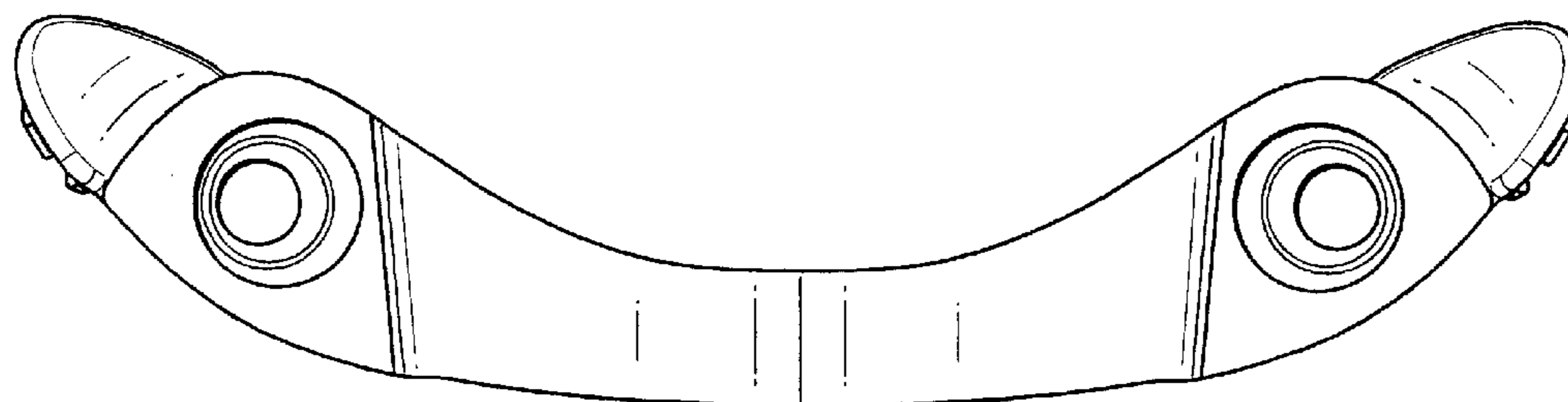


Fig. 3

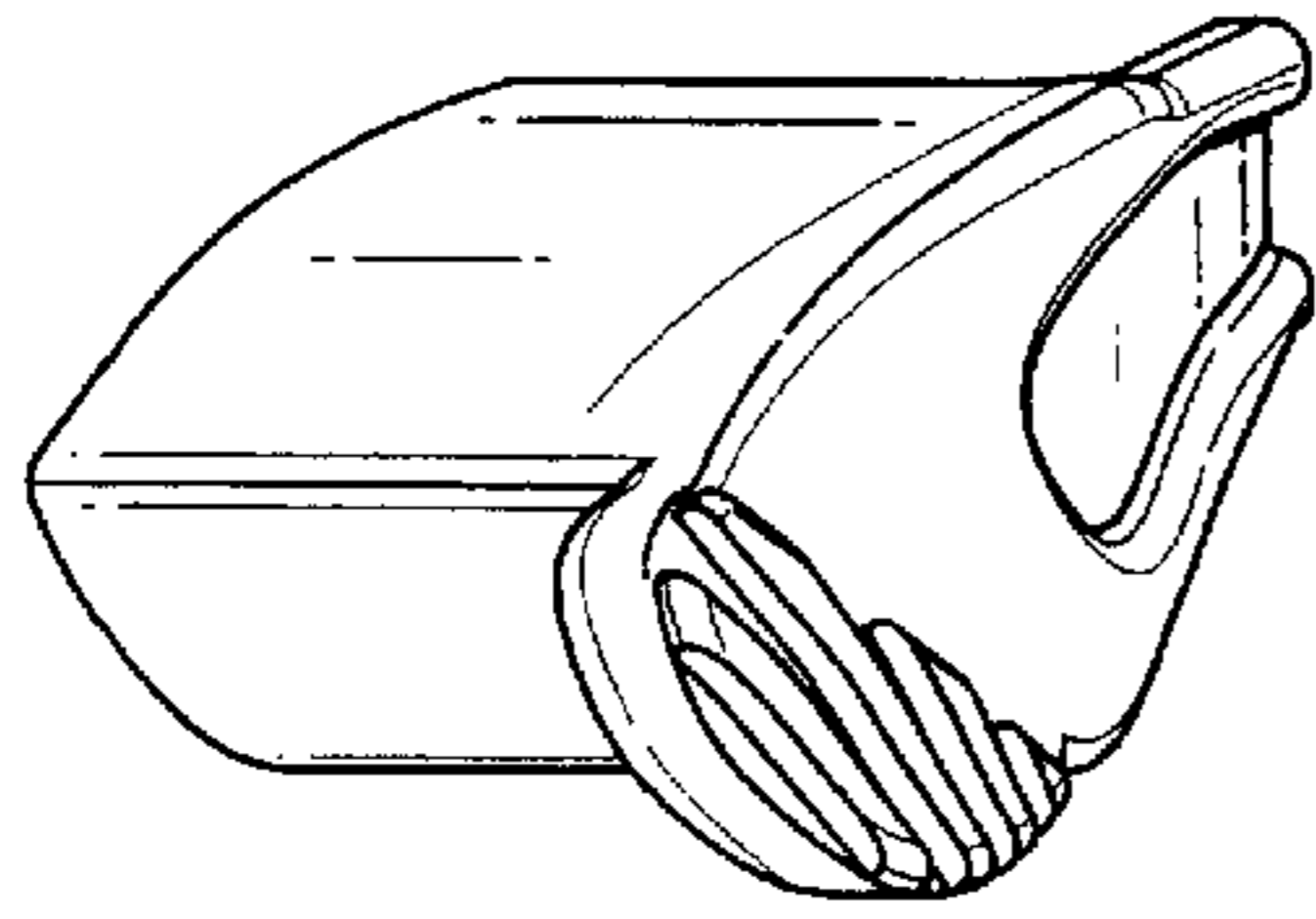


Fig. 4

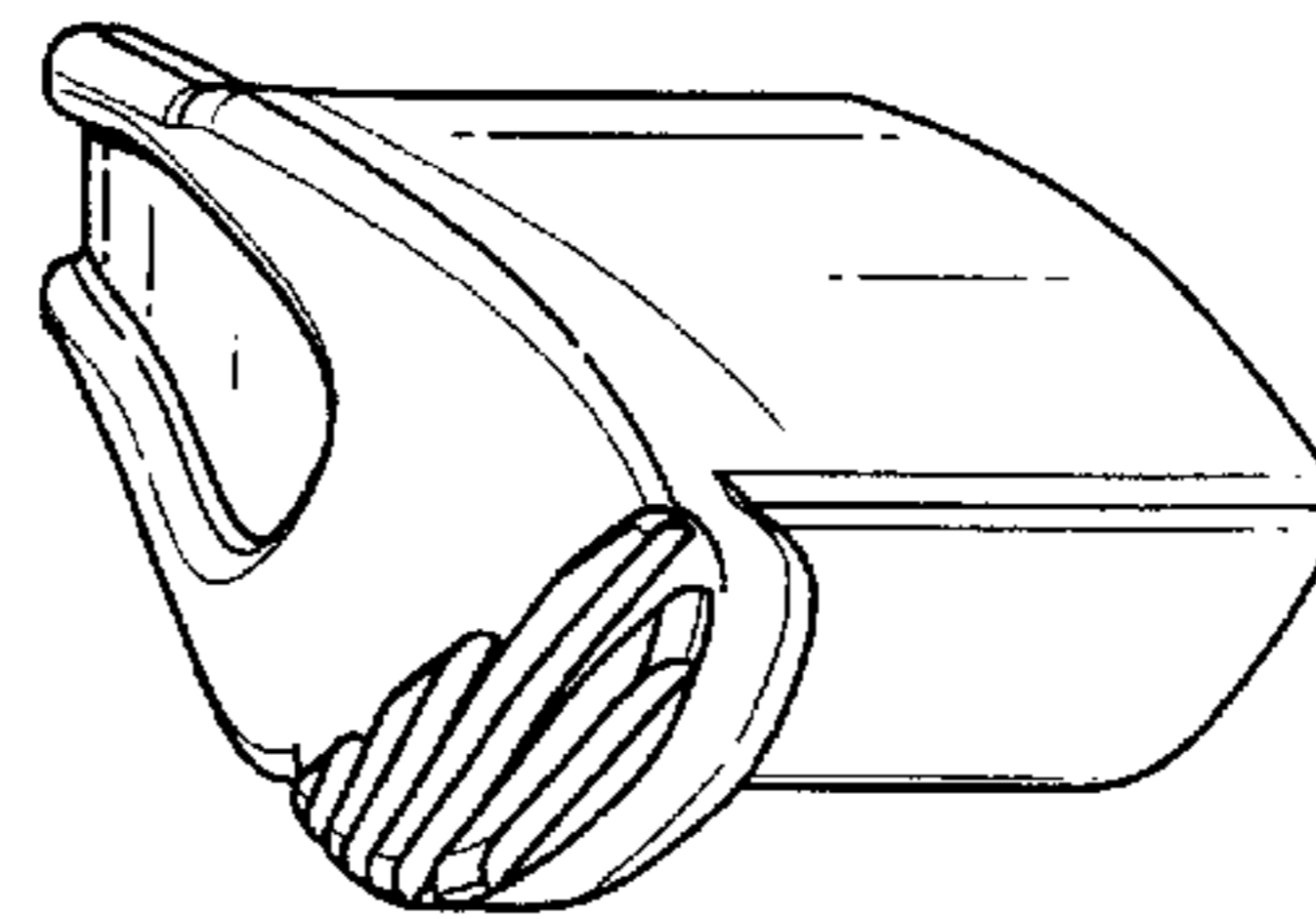


Fig. 5

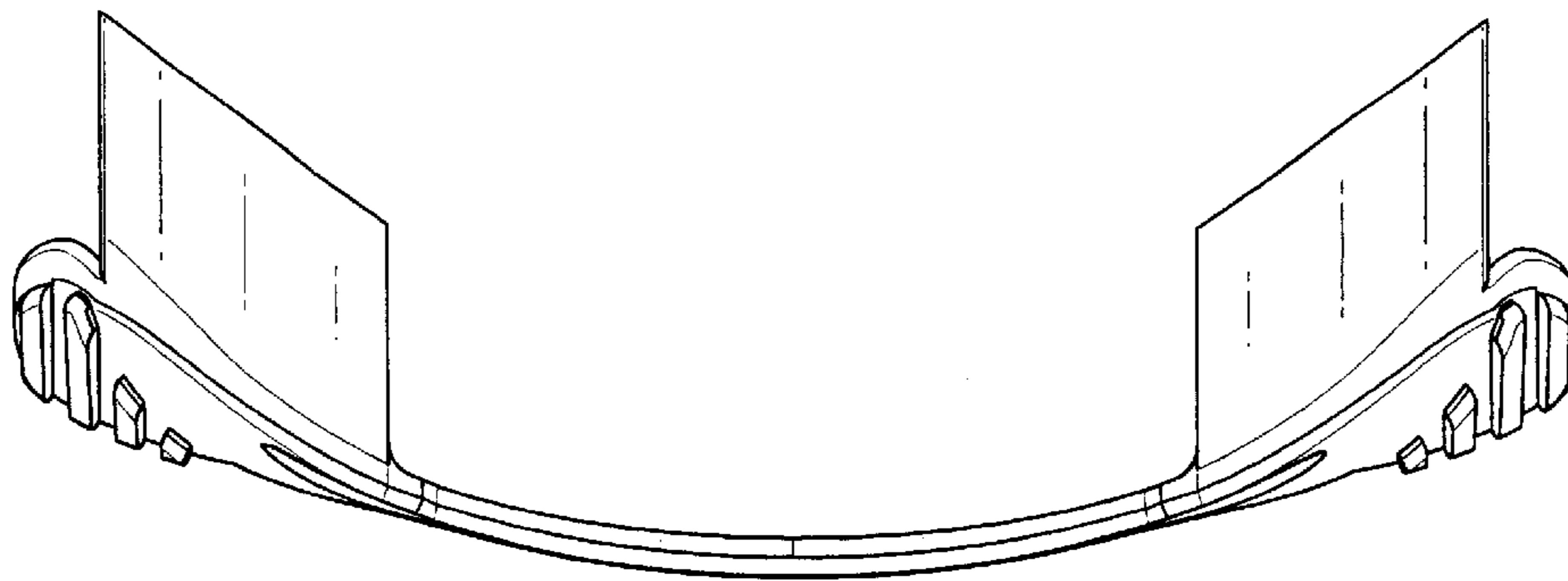


Fig. 6

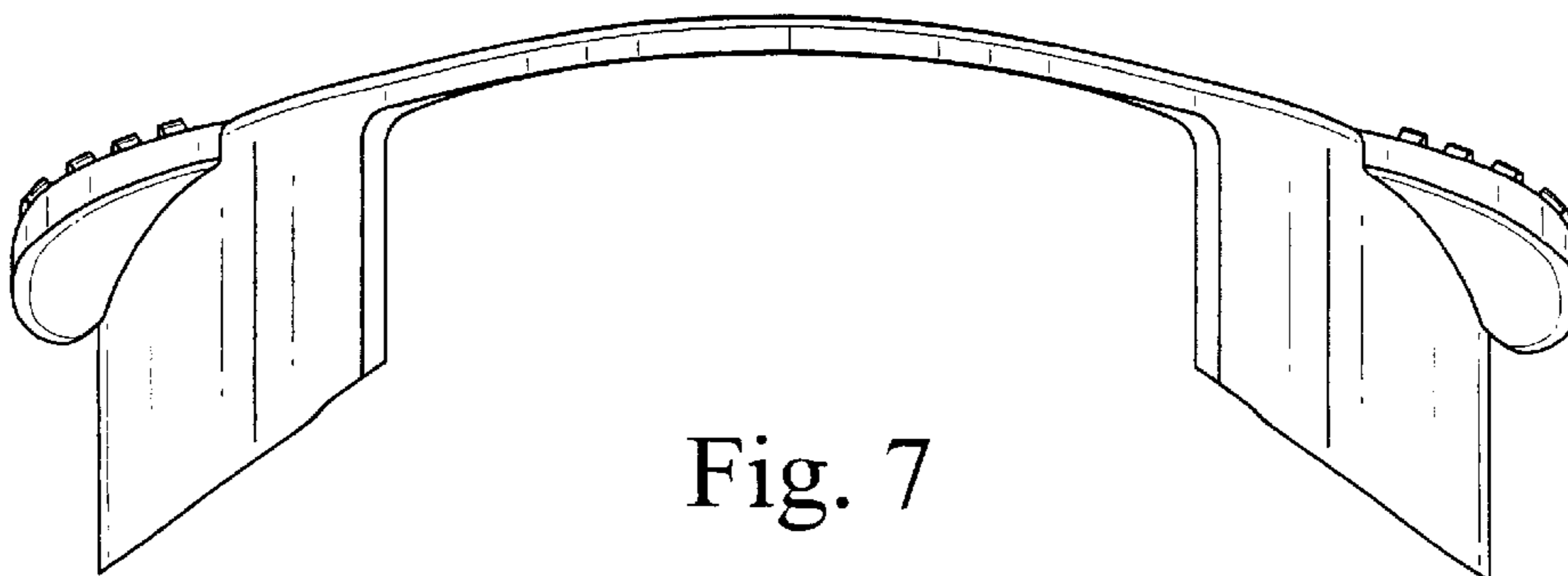


Fig. 7