



US00D599004S

(12) **United States Design Patent**  
**Pickett**

(10) **Patent No.:** **US D599,004 S**

(45) **Date of Patent:** **\*\* Aug. 25, 2009**

(54) **CEILING FAN HOUSING**

(76) Inventor: **Mark Pickett**, 1419 E. Palm St.,  
Altadena, CA (US) 91001

(\*\*) Term: **14 Years**

(21) Appl. No.: **29/331,321**

(22) Filed: **Jan. 23, 2009**

(51) **LOC (9) Cl.** ..... **23-04**

(52) **U.S. Cl.** ..... **D23/411**

(58) **Field of Classification Search** ..... D23/377,  
D23/379, 385, 411, 413; 416/5; D26/59,  
D26/51, 72, 80-86, 73

See application file for complete search history.

(56) **References Cited**

U.S. PATENT DOCUMENTS

D551,758 S *	9/2007	Shurtleff	.....	D23/411
D562,972 S *	2/2008	Pickett	.....	D23/411
D569,494 S *	5/2008	Pan	.....	D23/411

\* cited by examiner

*Primary Examiner*—Lisa P Lichtenstein

(74) *Attorney, Agent, or Firm*—Parsons & Goltry; Michael W. Goltry; Robert A. Parsons

(57) **CLAIM**

The ornamental design for a ceiling fan housing, as shown and described.

**DESCRIPTION**

FIG. 1 is a top perspective view of a ceiling fan housing showing my new design;

FIG. 2 is a bottom perspective view thereof;

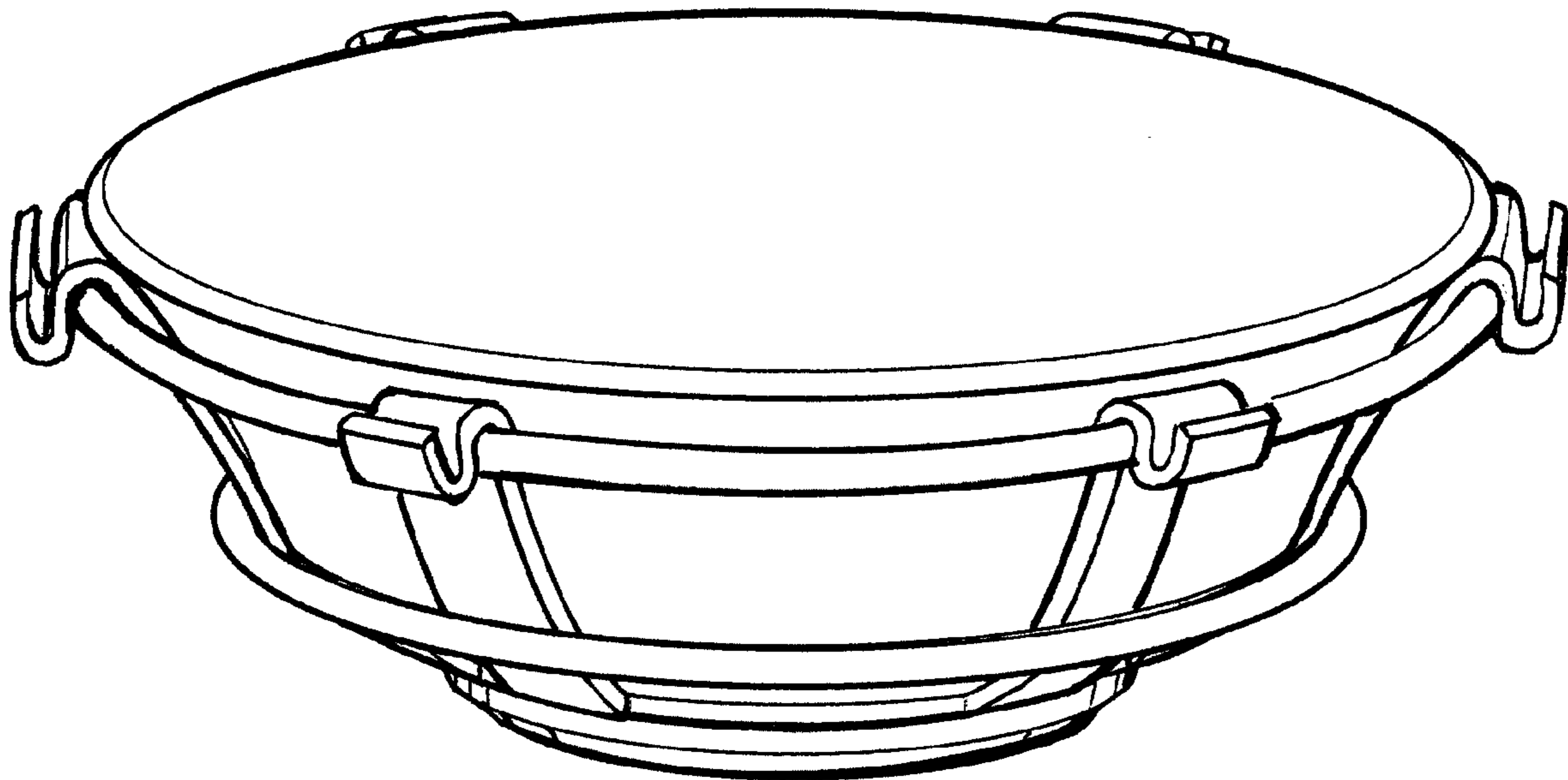
FIG. 3 is front elevational view thereof, the rear elevational view thereof being substantially the same thereof;

FIG. 4 is left side elevational view thereof, the right side elevational view thereof being substantially the same thereof;

FIG. 5 is a top plan view thereof; and,

FIG. 6 is a bottom plan view thereof.

**1 Claim, 6 Drawing Sheets**



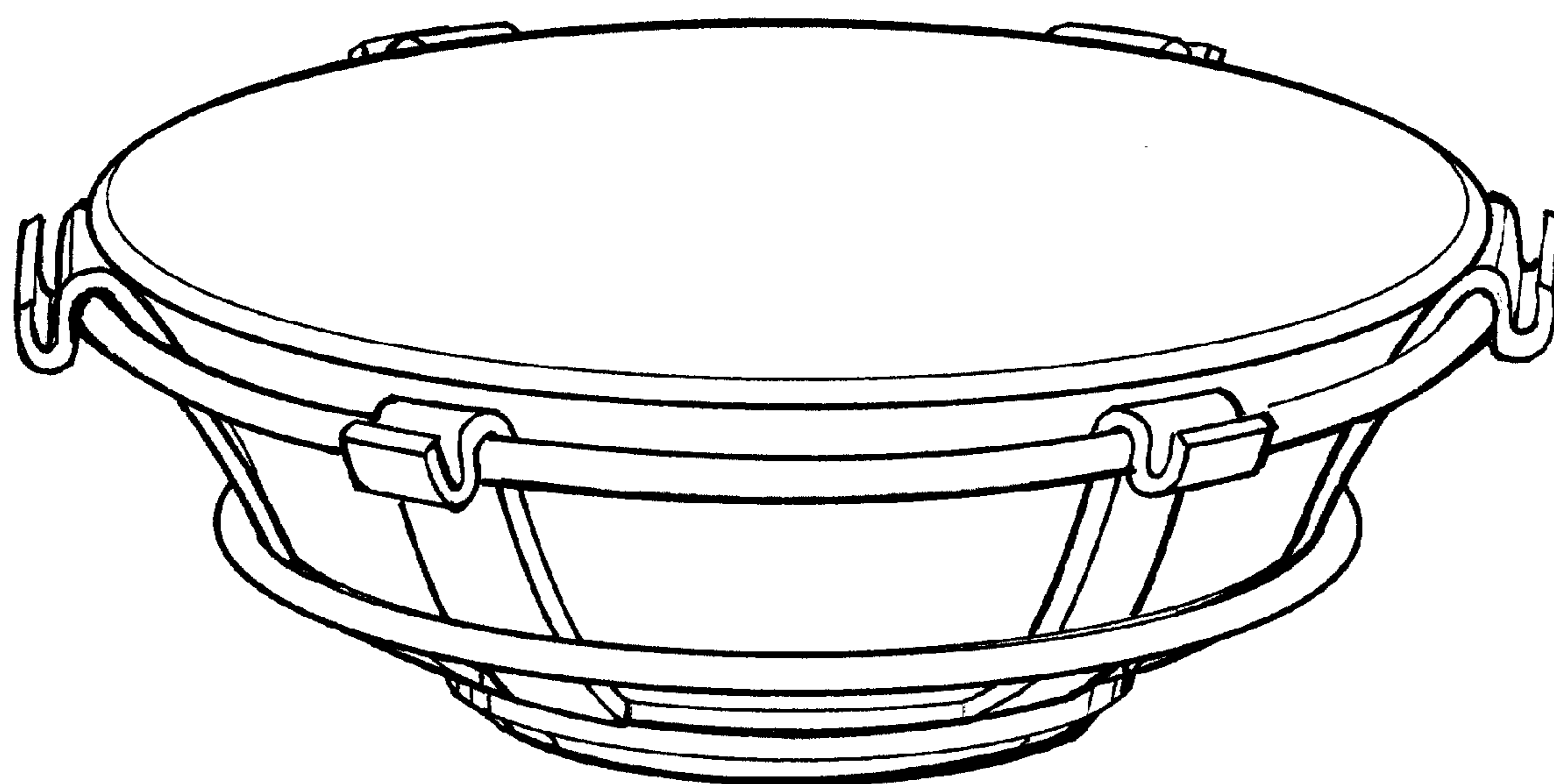


FIG. 1

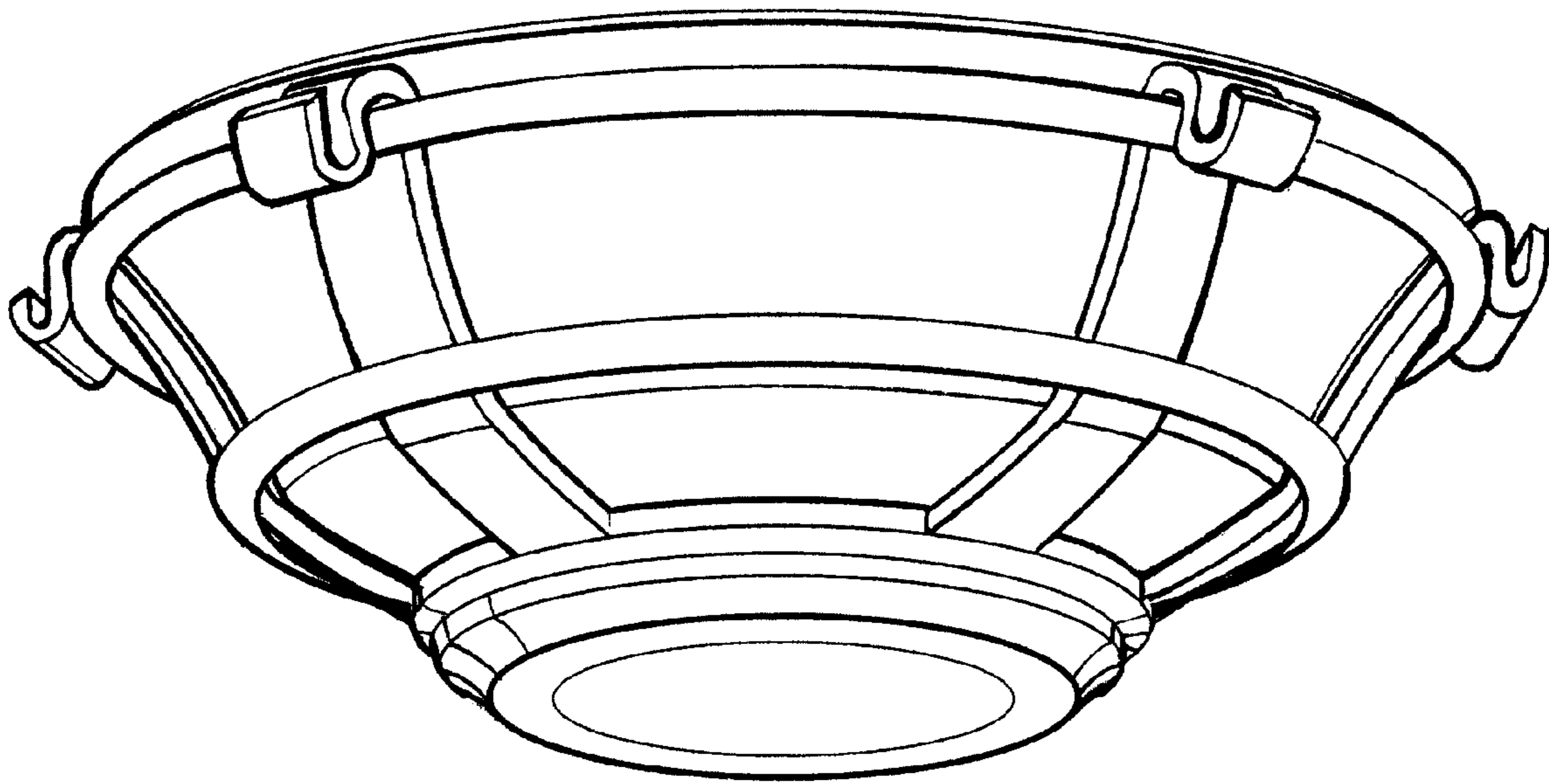


FIG. 2

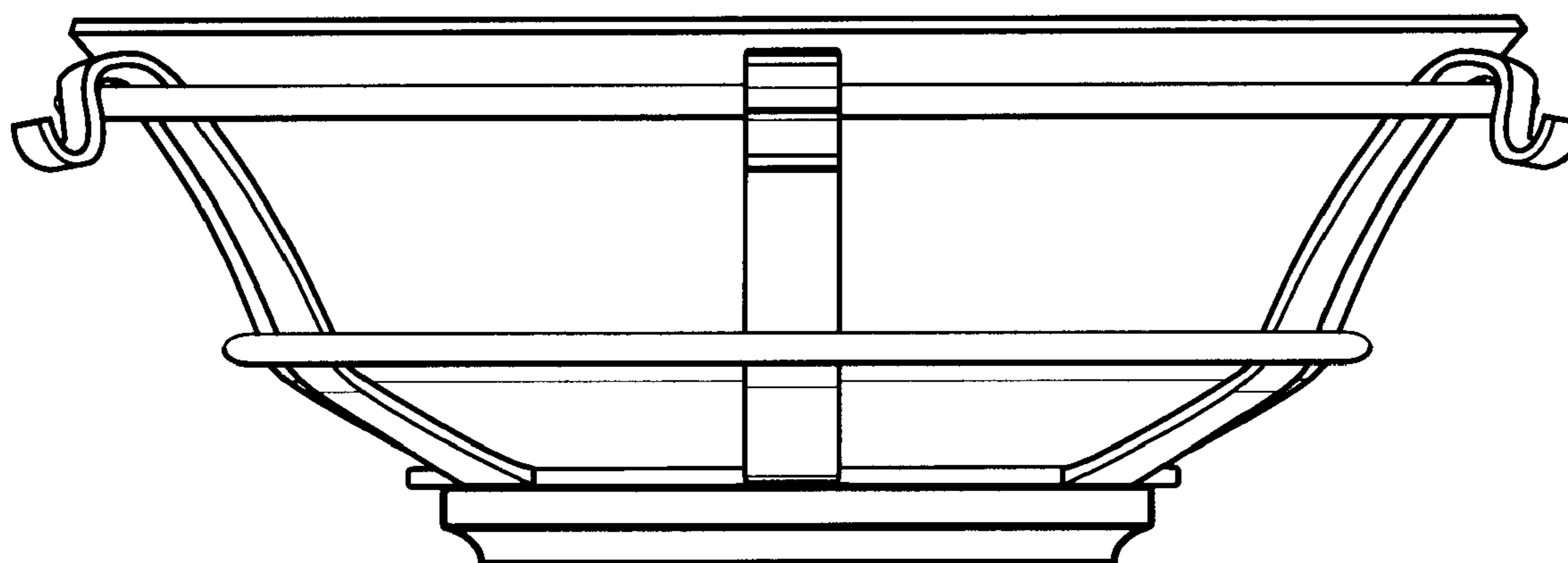


FIG. 3

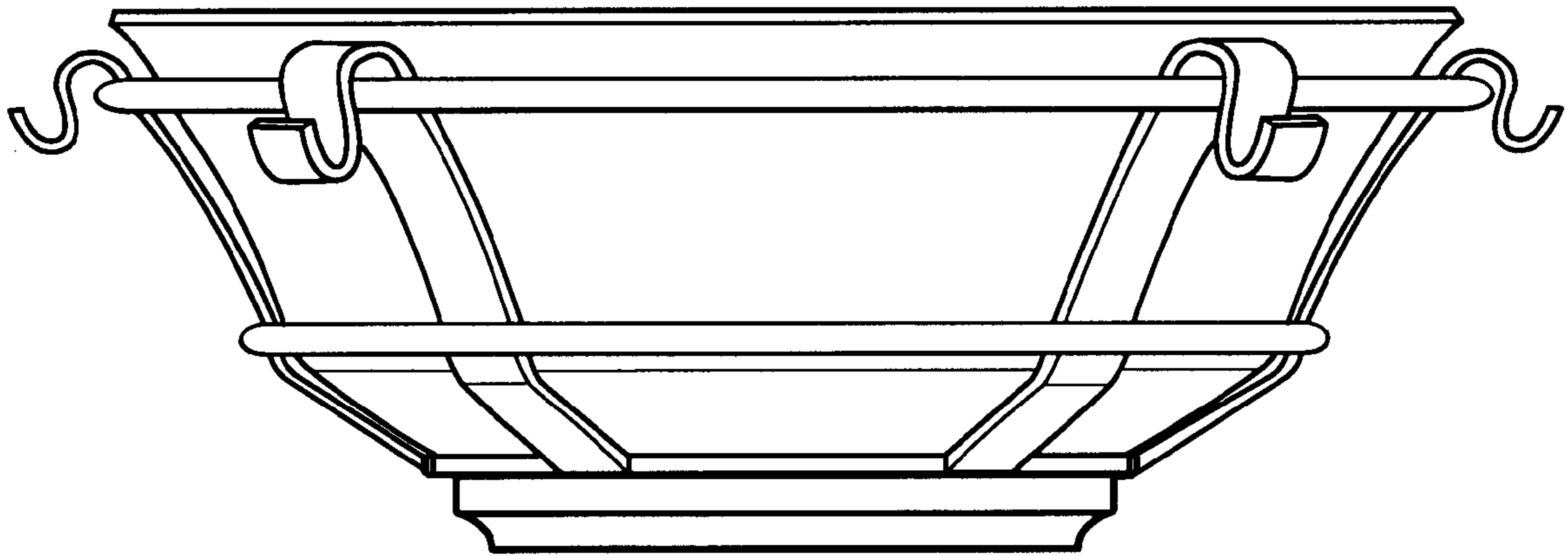


FIG. 4

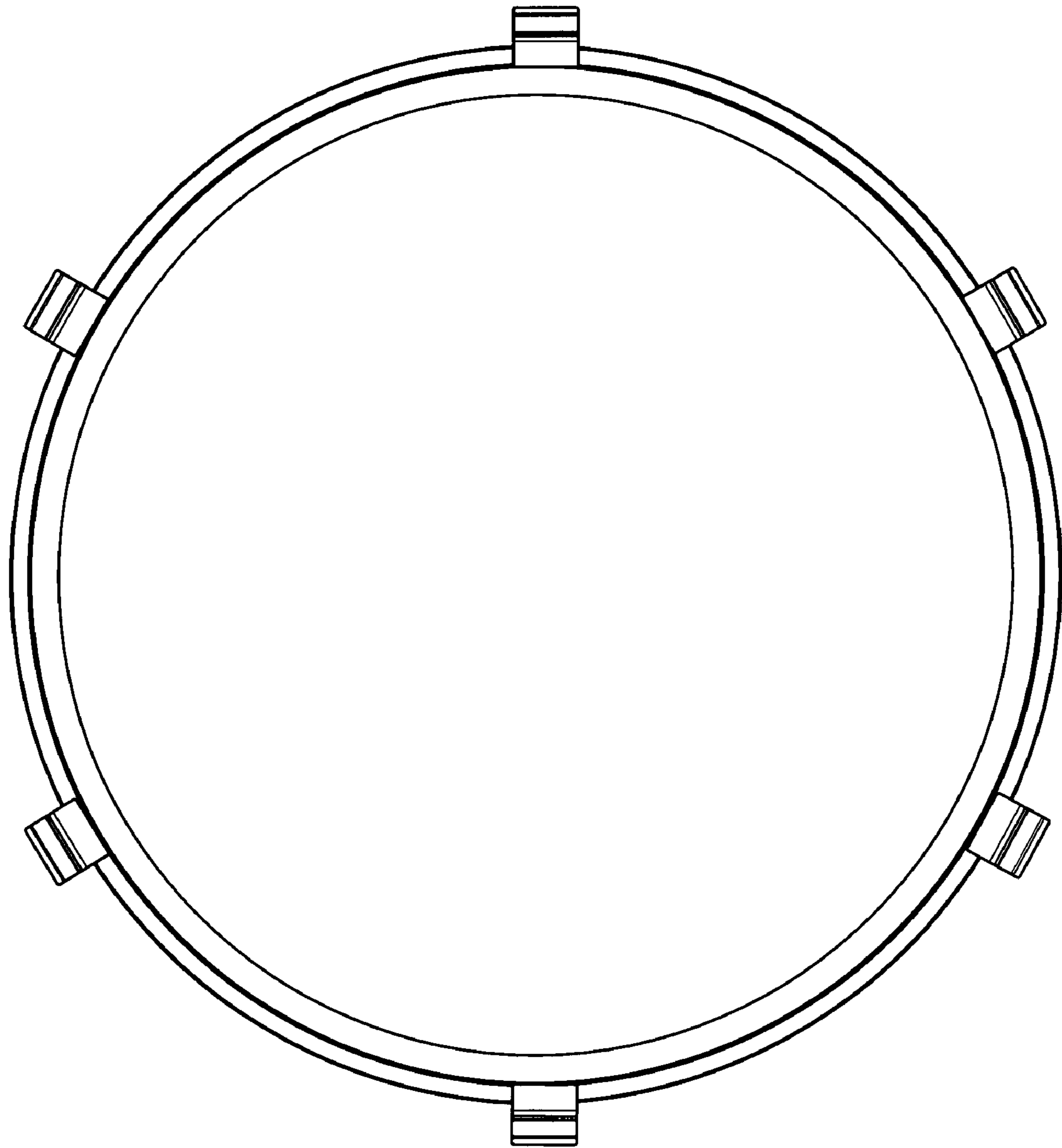


FIG. 5

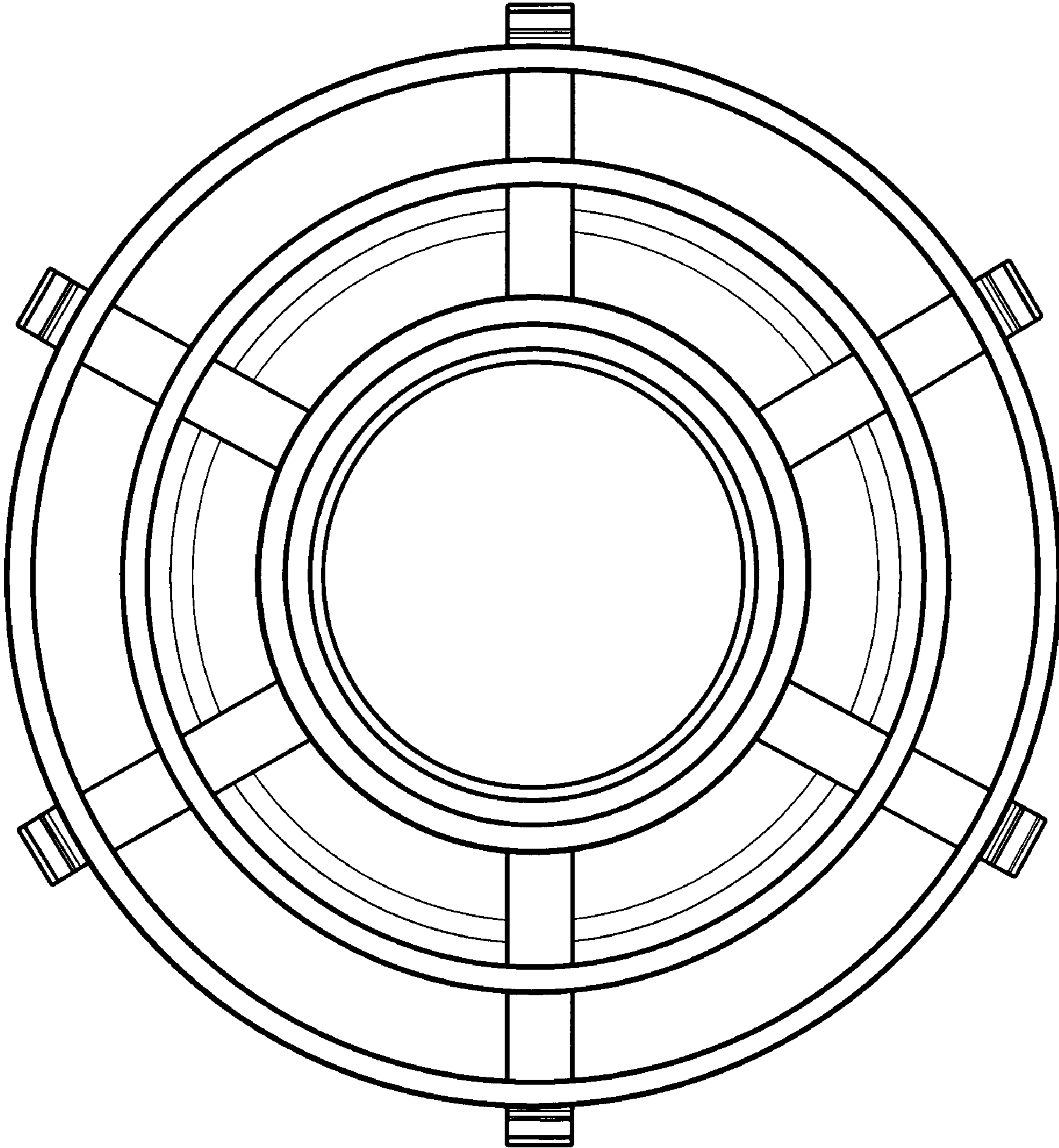


FIG. 6