



US00D599003S

(12) **United States Design Patent**
Hidalgo

(10) **Patent No.:** **US D599,003 S**

(45) **Date of Patent:** **** Aug. 25, 2009**

(54) **CEILING FAN HOUSING**

(75) Inventor: **Rolando Hidalgo**, Yorba Linda, CA
(US)

(73) Assignee: **Minka Lighting, Inc.**, Corona, CA (US)

(**) Term: **14 Years**

(21) Appl. No.: **29/330,789**

(22) Filed: **Jan. 14, 2009**

(51) **LOC (9) Cl.** **23-04**

(52) **U.S. Cl.** **D23/411**

(58) **Field of Classification Search** D23/377,
D23/379, 385, 411, 413; 416/5; D26/59,
D26/51, 72, 80-86, 73

See application file for complete search history.

(56) **References Cited**

U.S. PATENT DOCUMENTS

D519,625 S * 4/2006 Young D23/377
D534,268 S * 12/2006 Young D23/377
D572,814 S * 7/2008 Bucher et al. D23/377

OTHER PUBLICATIONS

Casablanca Internet Catalog; S3; Model #93011M; printed from
hansenwholesale.com on Dec. 9, 2008.

Casablanca Internet Catalog; Trident; Model #TR1H-11; printed
from hansenwholesale.com on Dec. 9, 2008.

Regency Internet Catalog; Orbit; Model #RB-BN; printed from
hansenwholesale.com on Dec. 9, 2008.

* cited by examiner

Primary Examiner—Lisa P Lichtenstein

(74) *Attorney, Agent, or Firm*—Baker & McKenzie LLP

(57) **CLAIM**

The ornamental design for a ceiling fan housing, as shown
and described.

DESCRIPTION

FIG. 1 is a bottom perspective view of a ceiling fan housing
showing an embodiment in accordance with my design;

FIG. 2 is an enlarged top plan view of the ceiling fan housing
in accordance with my design;

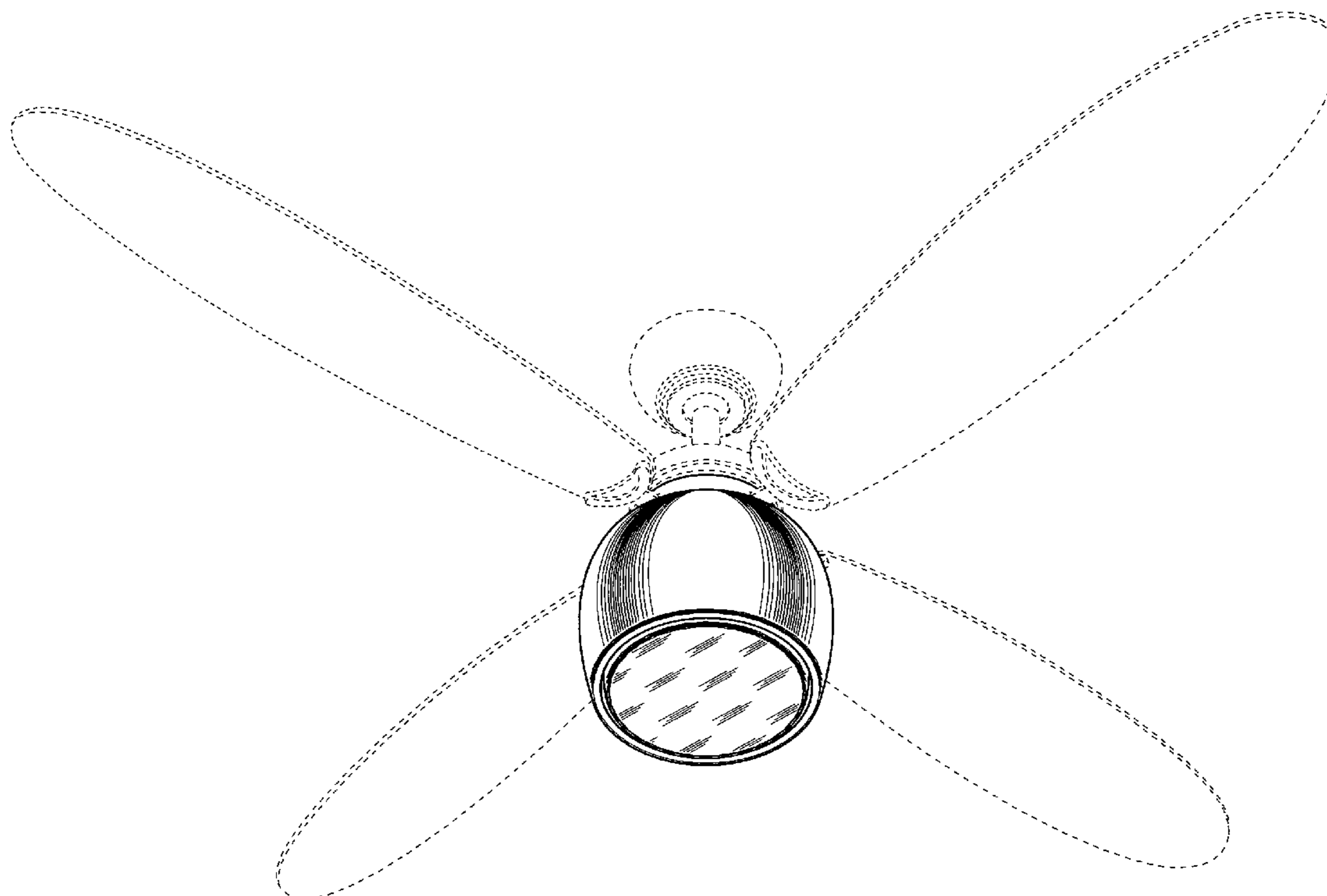
FIG. 3 is an enlarged bottom plan view of the ceiling fan
housing in accordance with my design;

FIG. 4 is an enlarged side elevation view of the ceiling fan
housing in accordance with my design, the opposite side
being a mirror image of that shown; and,

FIG. 5 is an enlarged front elevation view of the ceiling fan
housing in accordance with my design, the opposite side
being a mirror image of that shown.

The broken line showing of portions of the ceiling fan is
included for the purpose of illustrating environmental struc-
ture and forms no part of the claimed design.

1 Claim, 5 Drawing Sheets



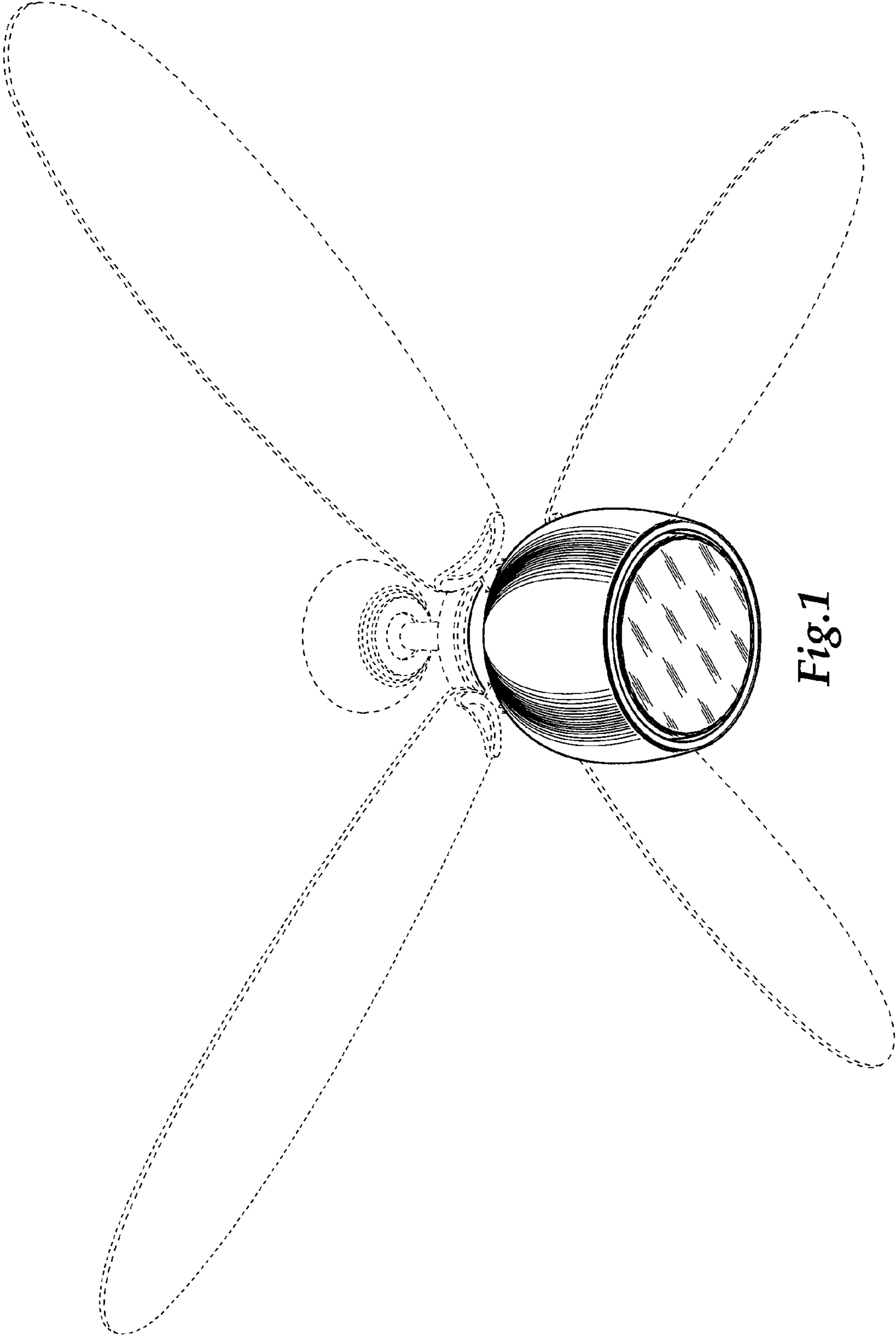


Fig. 1

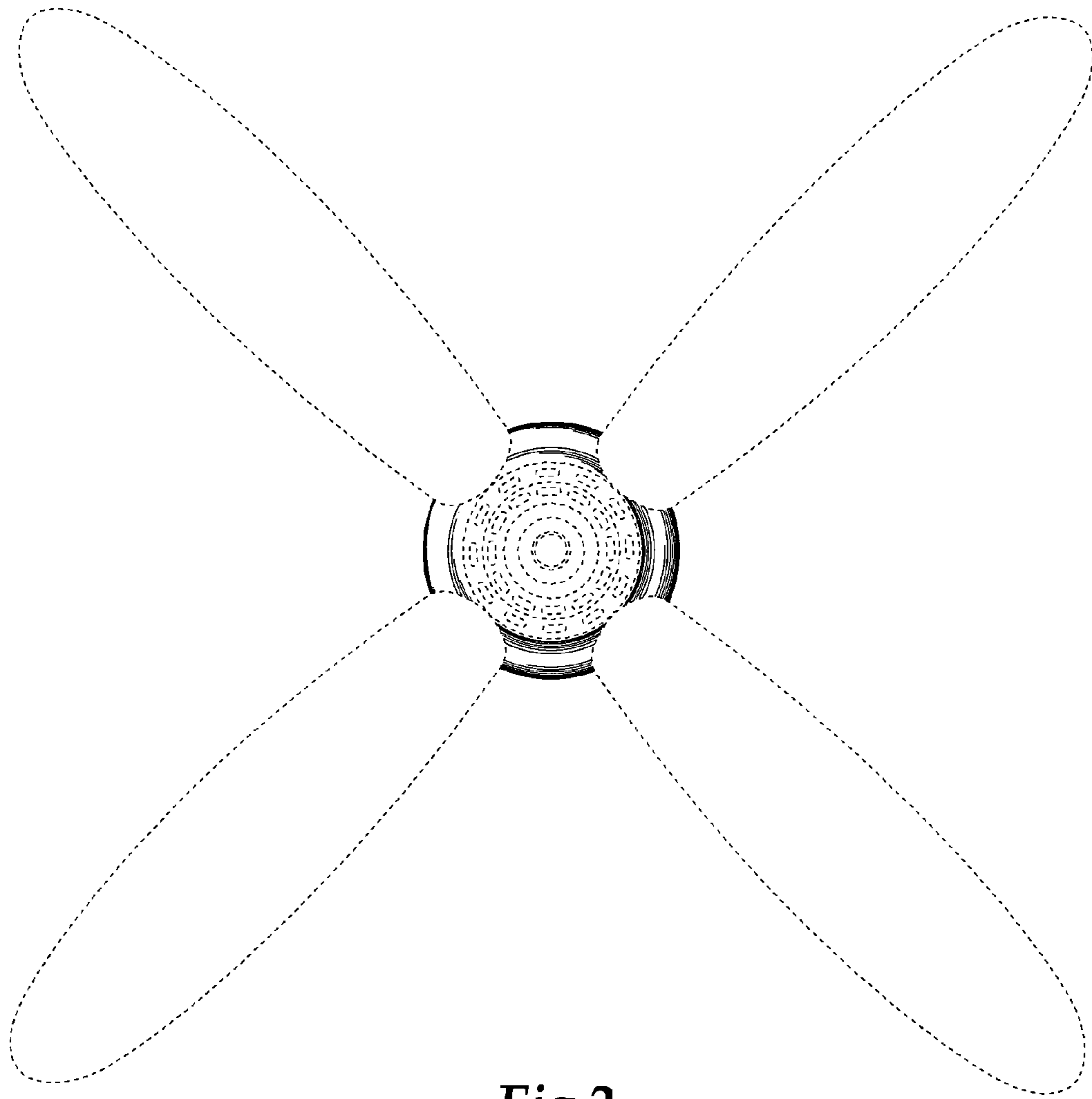


Fig. 2

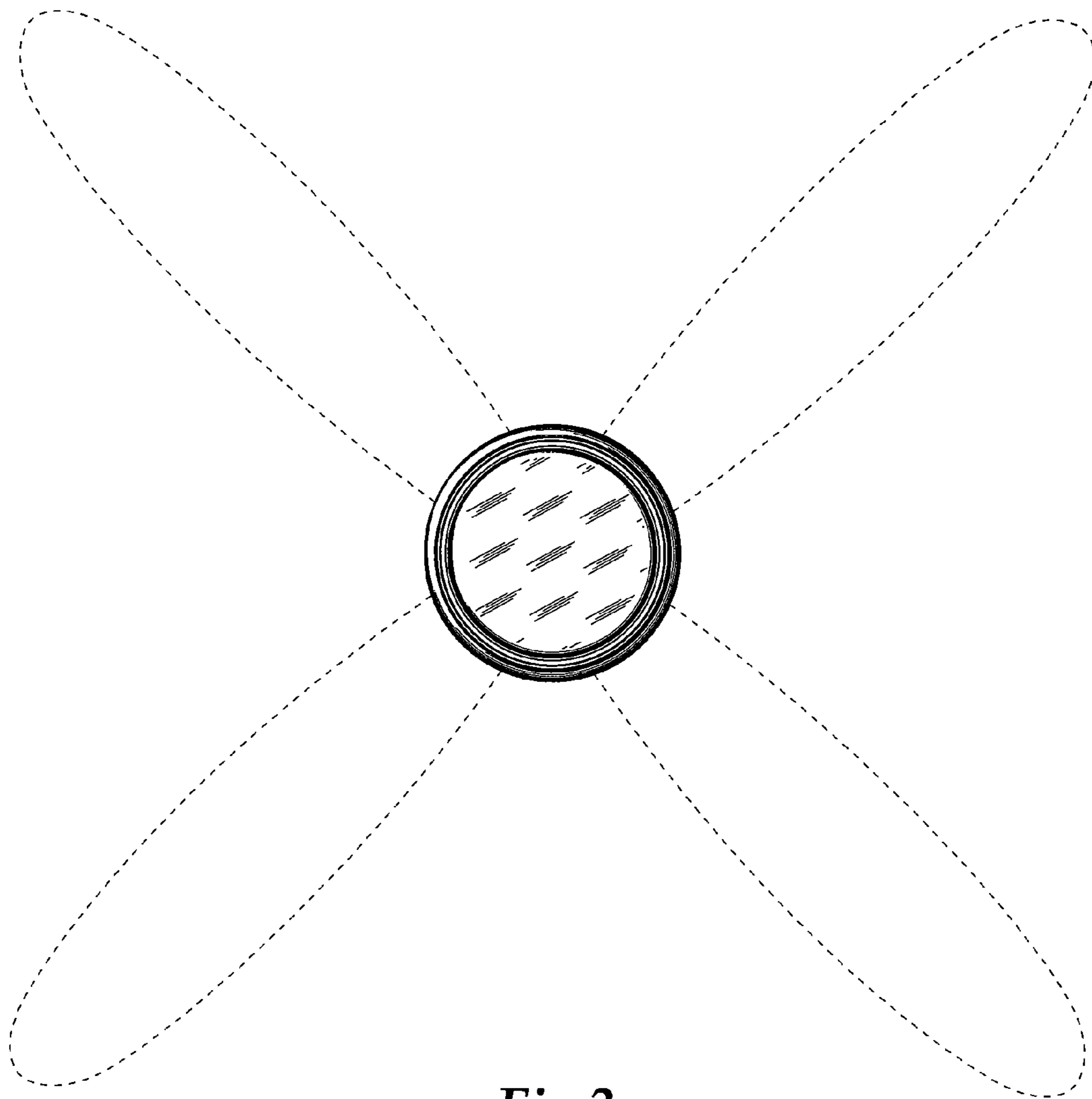


Fig.3

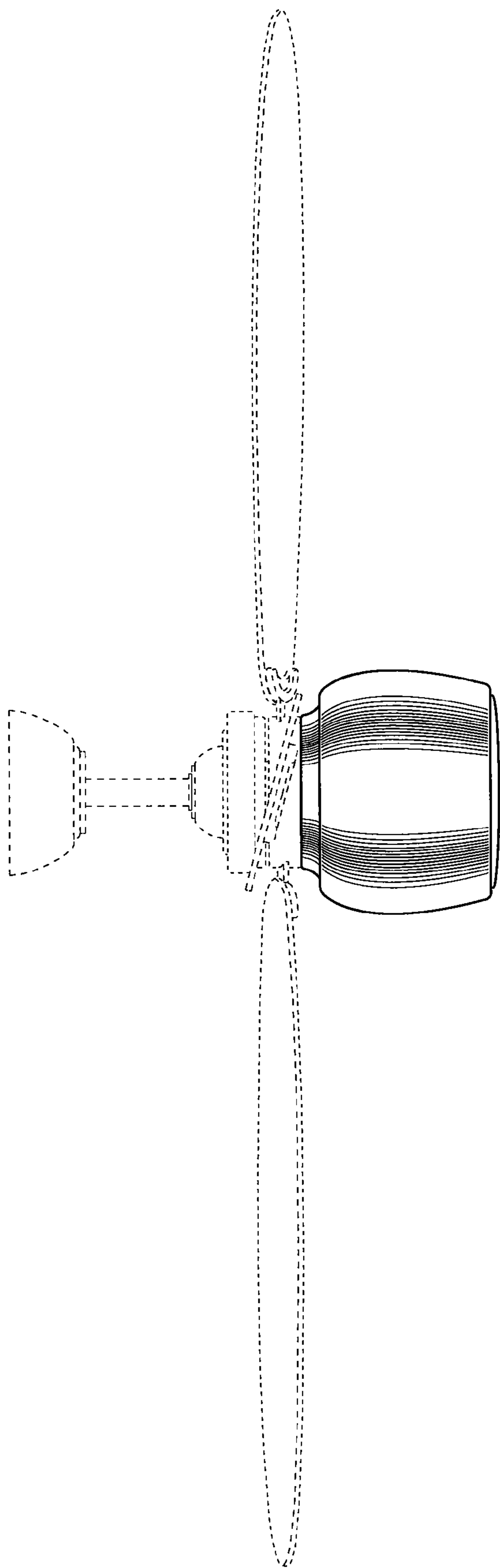


Fig. 4

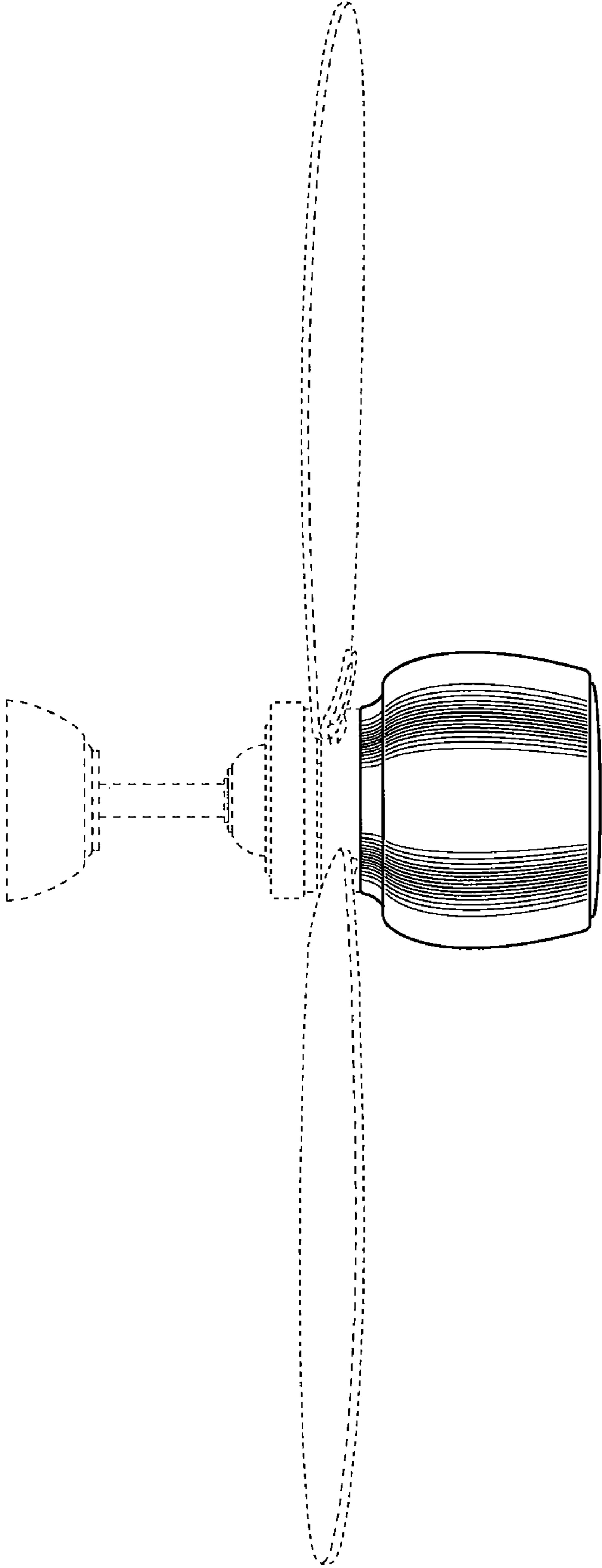


Fig.5