



US00D599002S

(12) **United States Design Patent**
Flores

(10) **Patent No.:** **US D599,002 S**
(45) **Date of Patent:** **** Aug. 25, 2009**

(54) **CEILING FAN HOUSING**

(75) Inventor: **Miguel Flores**, Riverside, CA (US)

(73) Assignee: **Minka Lighting, Inc.**, Corona, CA (US)

(**) Term: **14 Years**

(21) Appl. No.: **29/330,785**

(22) Filed: **Jan. 14, 2009**

(51) **LOC (9) Cl.** **23-04**

(52) **U.S. Cl.** **D23/411**

(58) **Field of Classification Search** D23/377,
D23/379, 385, 411, 413; 416/5; D26/59,
D26/51, 72, 80-86, 73

See application file for complete search history.

(56) **References Cited**

U.S. PATENT DOCUMENTS

D514,216 S * 1/2006 Hidalgo D23/377
D574,946 S * 8/2008 Hidalgo D23/377

OTHER PUBLICATIONS

Craftmade Internet Catalog; Kona Bay; Model #K52OB; printed from hansenwholesale.com on May 10, 2008.

Casablanca Internet Catalog; le Grande; Model #85U45M; printed from hansenwholesale.com on May 10, 2008.

Hunter Internet Catalog; Tribeca; Model #28121; printed from hansenwholesale.com on May 10, 2008.

Montecarlo Internet Catalog; Micro 24; Model #3TF24BS; printed from hansenwholesale.com on May 10, 2008.

* cited by examiner

Primary Examiner—Lisa P Lichtenstein

(74) *Attorney, Agent, or Firm*—Baker & McKenzie LLP

(57) **CLAIM**

The ornamental design for a ceiling fan housing, as shown and described.

DESCRIPTION

FIG. 1 is a bottom perspective view of a ceiling fan housing showing an embodiment in accordance with my design;

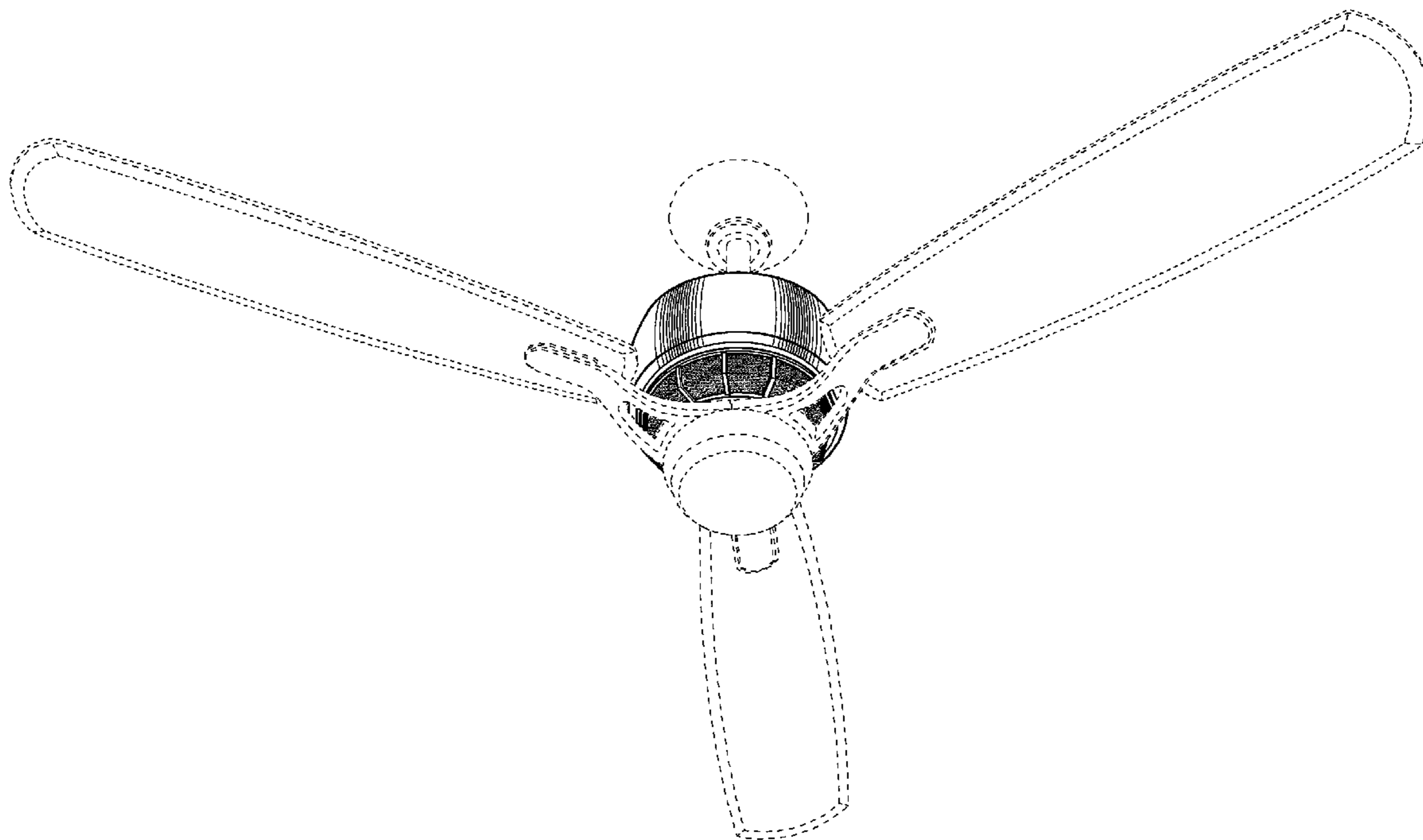
FIG. 2 is a top plan view of the ceiling fan housing in accordance with my design;

FIG. 3 is a bottom plan view of the ceiling fan housing in accordance with my design; and,

FIG. 4 is an enlarged side elevation view of the ceiling fan housing in accordance with my design, all sides being substantially identical.

The broken line showing of portions of the ceiling fan is included for the purpose of illustrating environmental structure and forms no part of the claimed design.

1 Claim, 4 Drawing Sheets



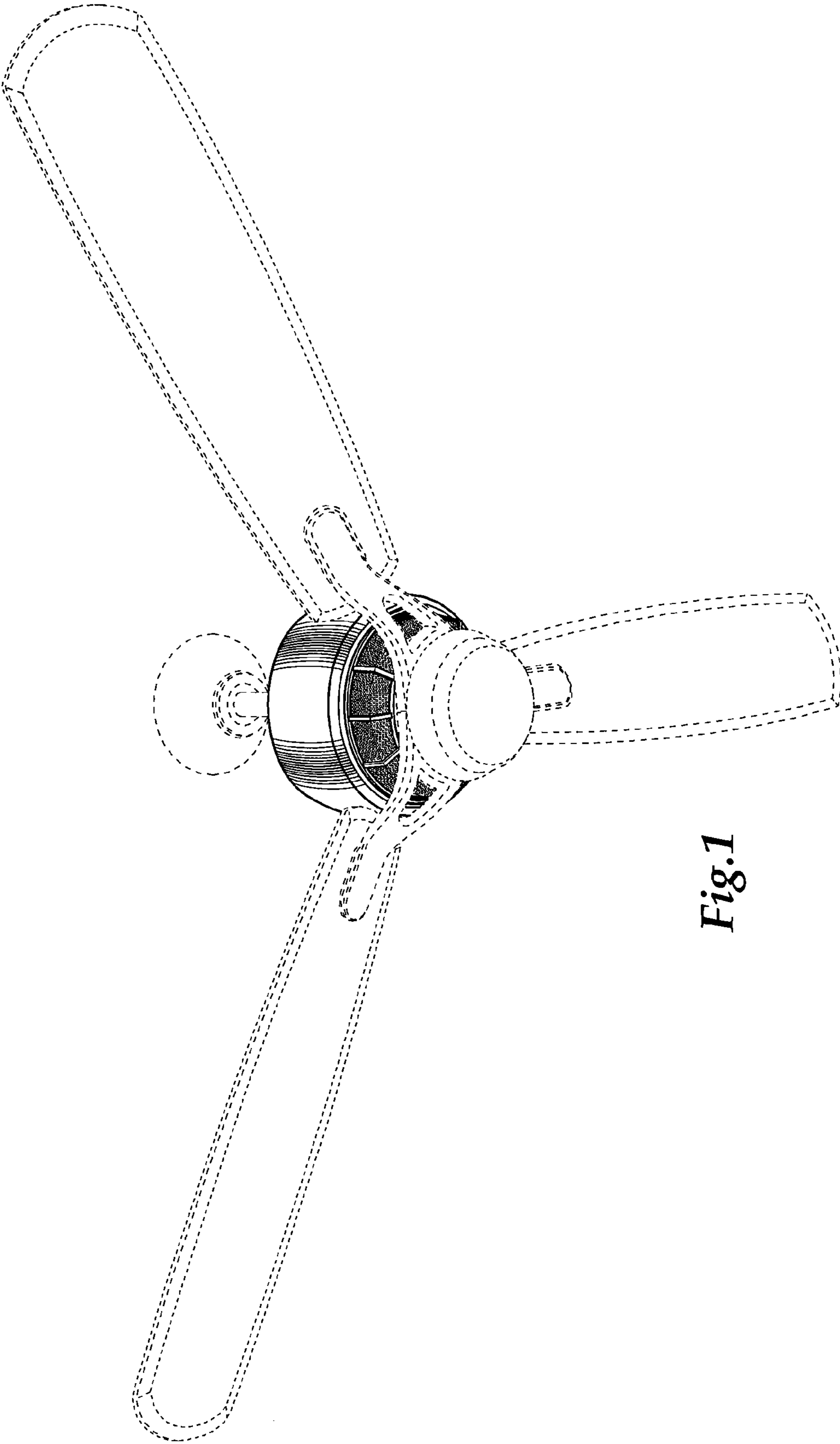


Fig. 1

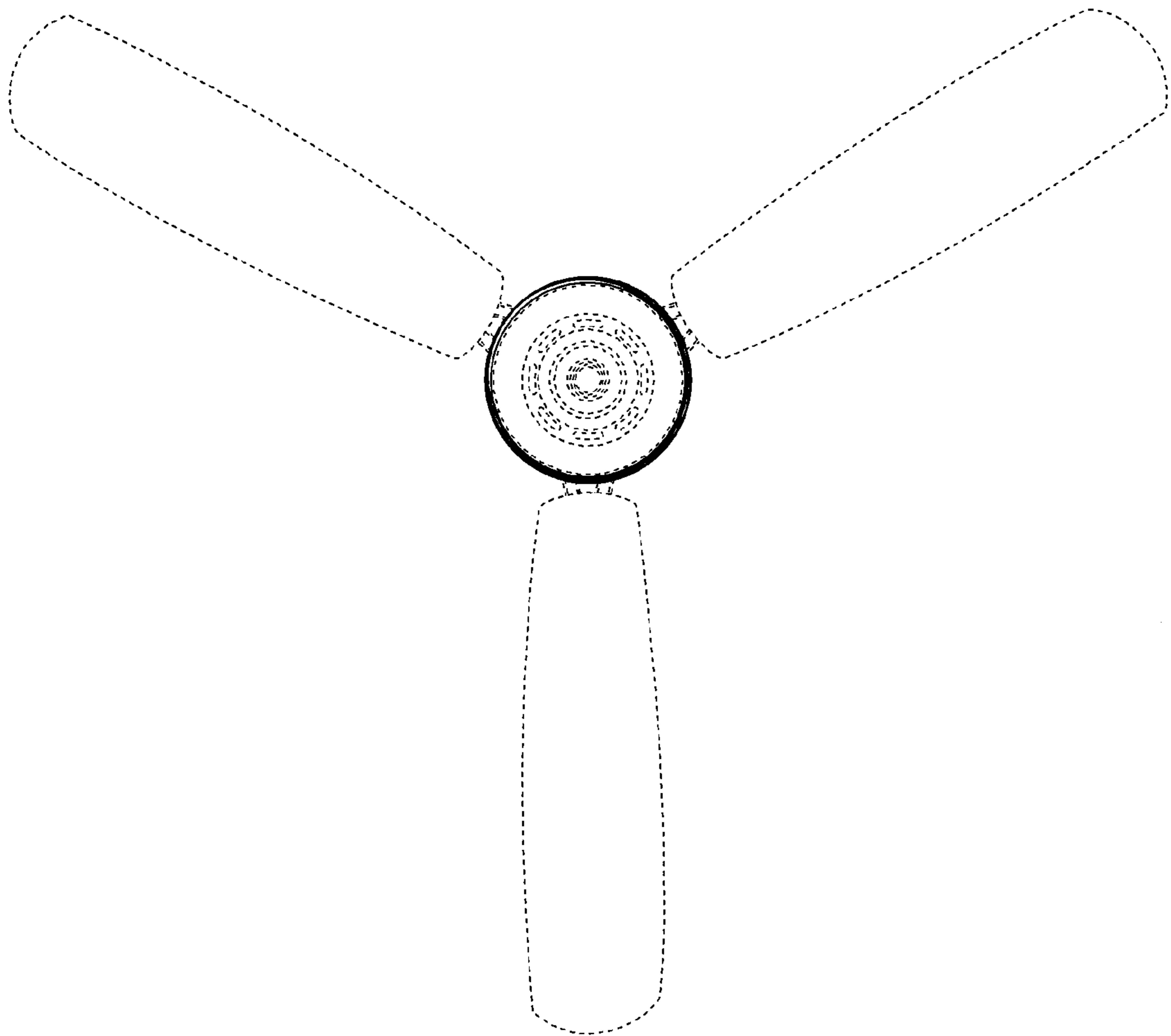


Fig.2

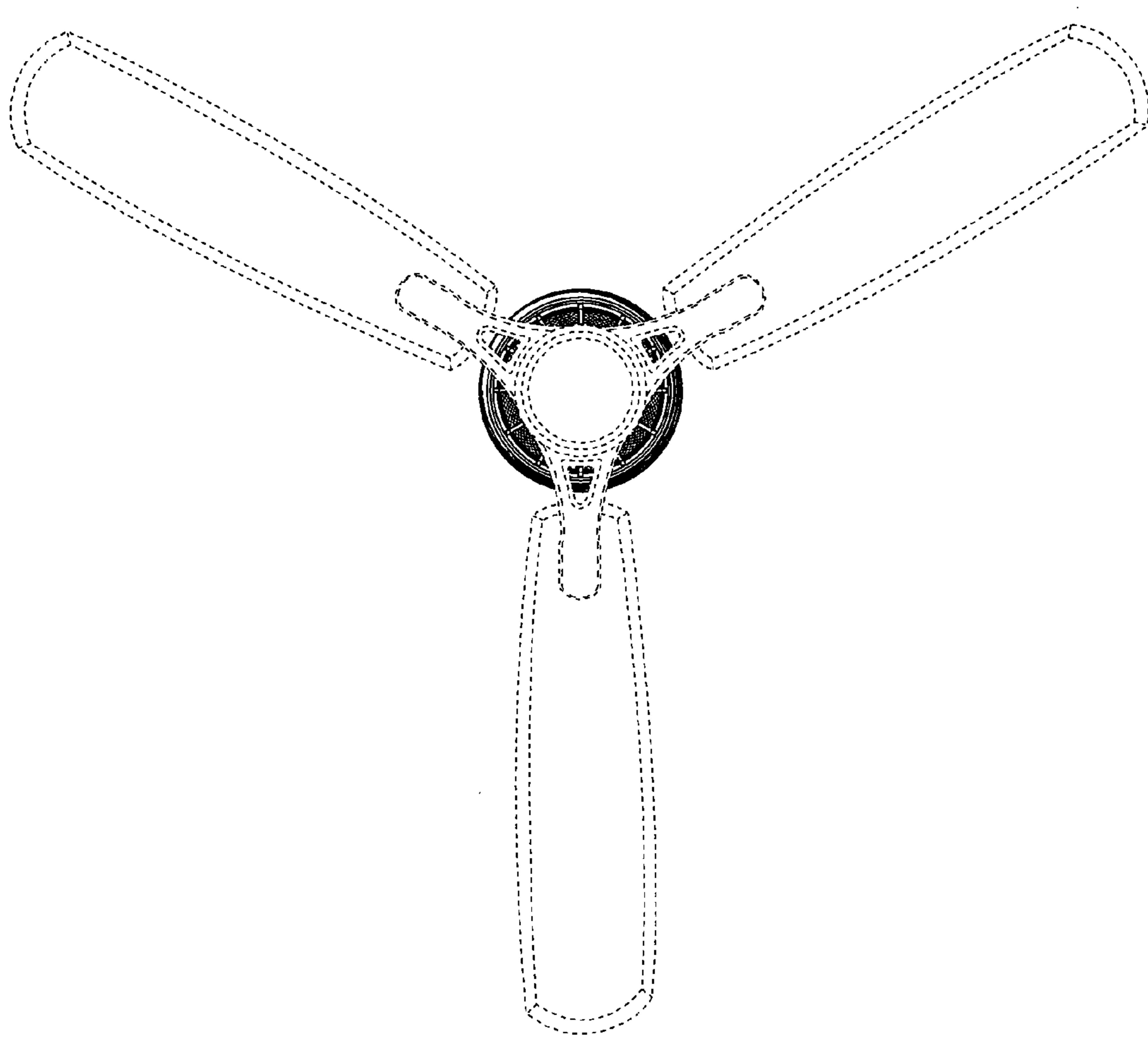


Fig.3

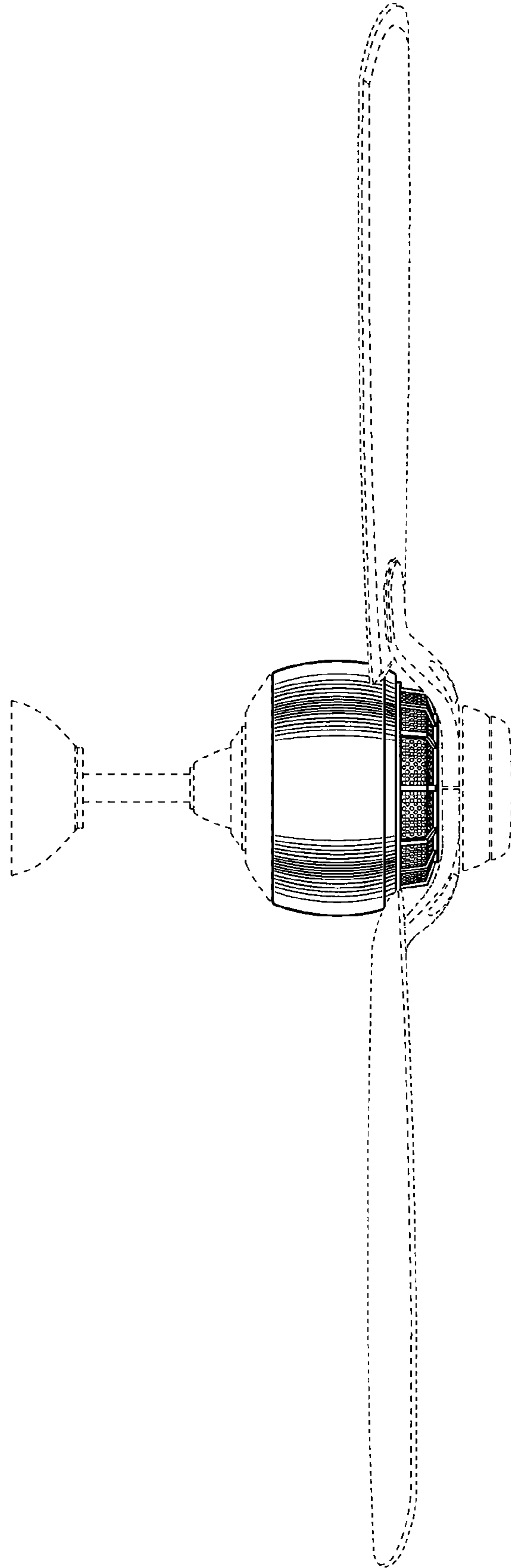


Fig. 4