



US00D598998S

(12) **United States Design Patent**
Flores

(10) **Patent No.:** **US D598,998 S**
(45) **Date of Patent:** **** Aug. 25, 2009**

(54) **CEILING FAN**

- (75) Inventor: **Miguel Flores**, Riverside, CA (US)
- (73) Assignee: **Minka Lighting, Inc.**, Corona, CA (US)
- (**) Term: **14 Years**
- (21) Appl. No.: **29/330,781**
- (22) Filed: **Jan. 14, 2009**
- (51) **LOC (9) Cl.** **23-04**
- (52) **U.S. Cl.** **D23/377**
- (58) **Field of Classification Search** D23/377,
D23/379, 385, 411; D26/59, 81-86, 72,
D26/51; 362/96

See application file for complete search history.

(56) **References Cited**

U.S. PATENT DOCUMENTS

- D514,216 S * 1/2006 Hidalgo D23/377
- D574,946 S * 8/2008 Hidalgo D23/377

OTHER PUBLICATIONS

Craftmade Internet Catalog; Kona Bay; Model #K520B; printed from hansenwholesale.com on May 10, 2008.
 Casablanca Internet Catalog; le Grande; Model #85U45M; printed from hansenwholesale.com on May 10, 2008.
 Hunter Internet Catalog; Tribeca; Model #28121; printed from hansenwholesale.com on May 10, 2008.
 Montecarlo Internet Catalog; Micro 24; Model #3TF24BS; printed from hansenwholesale.com on May 10, 2008.

* cited by examiner

Primary Examiner—Lisa P Lichtenstein
(74) *Attorney, Agent, or Firm*—Baker & McKenzie LLP

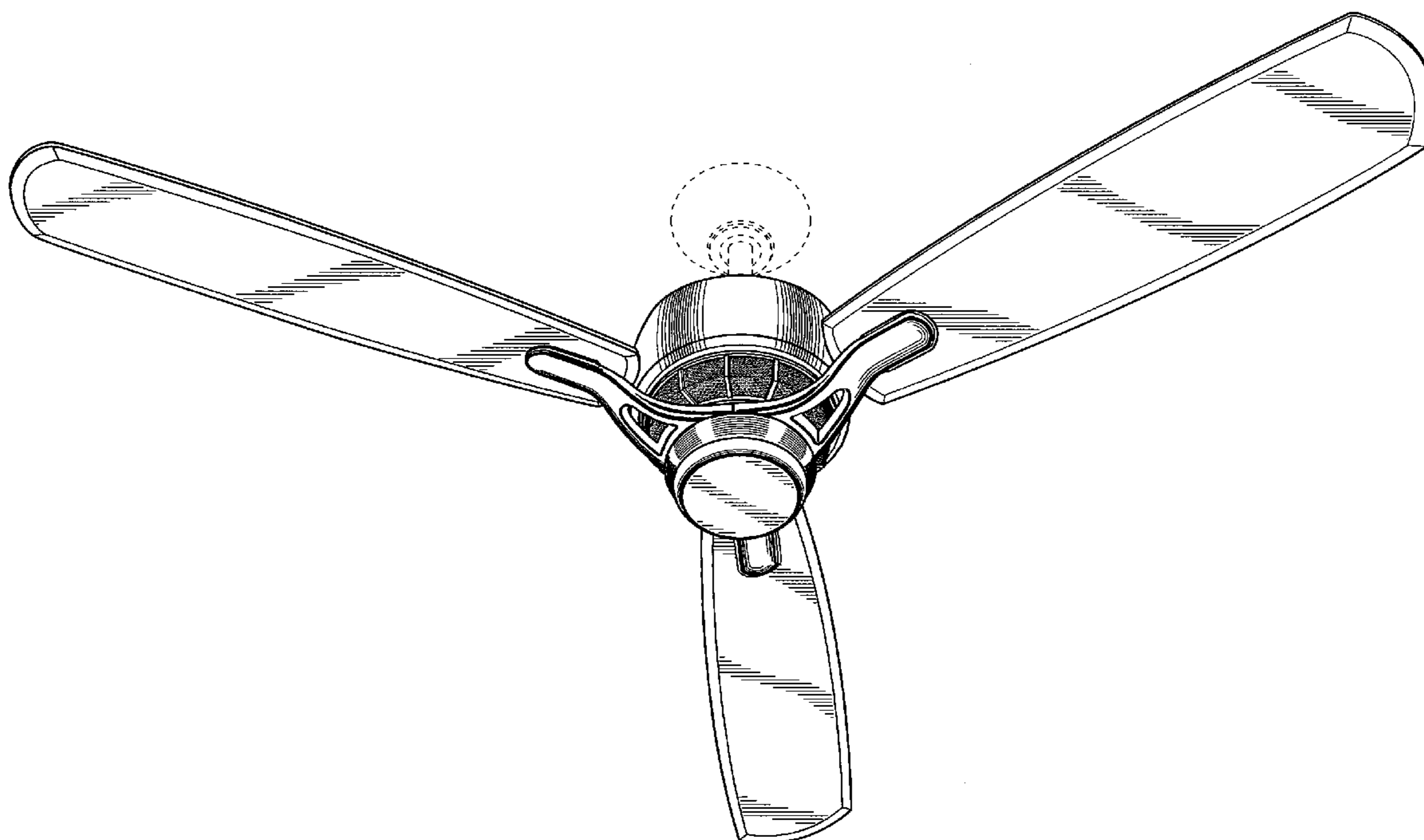
(57) **CLAIM**

The ornamental design for a ceiling fan, as shown and described.

DESCRIPTION

FIG. 1 is a bottom perspective view of a ceiling fan showing an embodiment in accordance with my design;
 FIG. 2 is a top plan view of the ceiling fan in accordance with my design;
 FIG. 3 is a bottom plan view of the ceiling fan in accordance with my design;
 FIG. 4 is an enlarged front elevation view of the ceiling fan in accordance with my design;
 FIG. 5 is an enlarged back elevation view of the ceiling fan in accordance with my design;
 FIG. 6 is an enlarged side elevation view of the ceiling fan in accordance with my design; and,
 FIG. 7 is an enlarged opposite side elevation view of the ceiling fan in accordance with my design.
 The broken line showing of the canopy, support rod and top apertures is included for the purpose of illustrating environmental structure and forms no part of the claimed design.

1 Claim, 7 Drawing Sheets



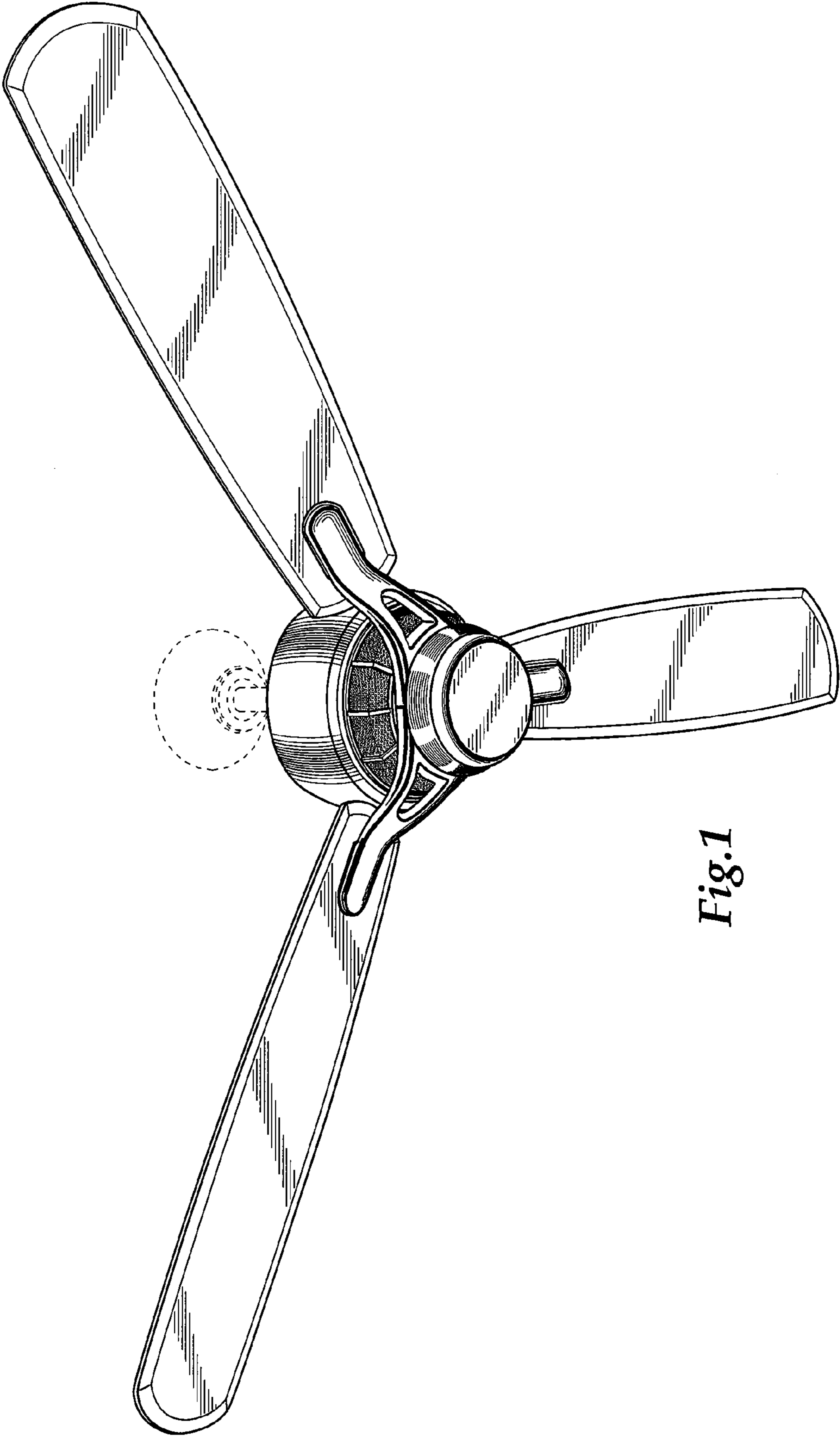


Fig. 1

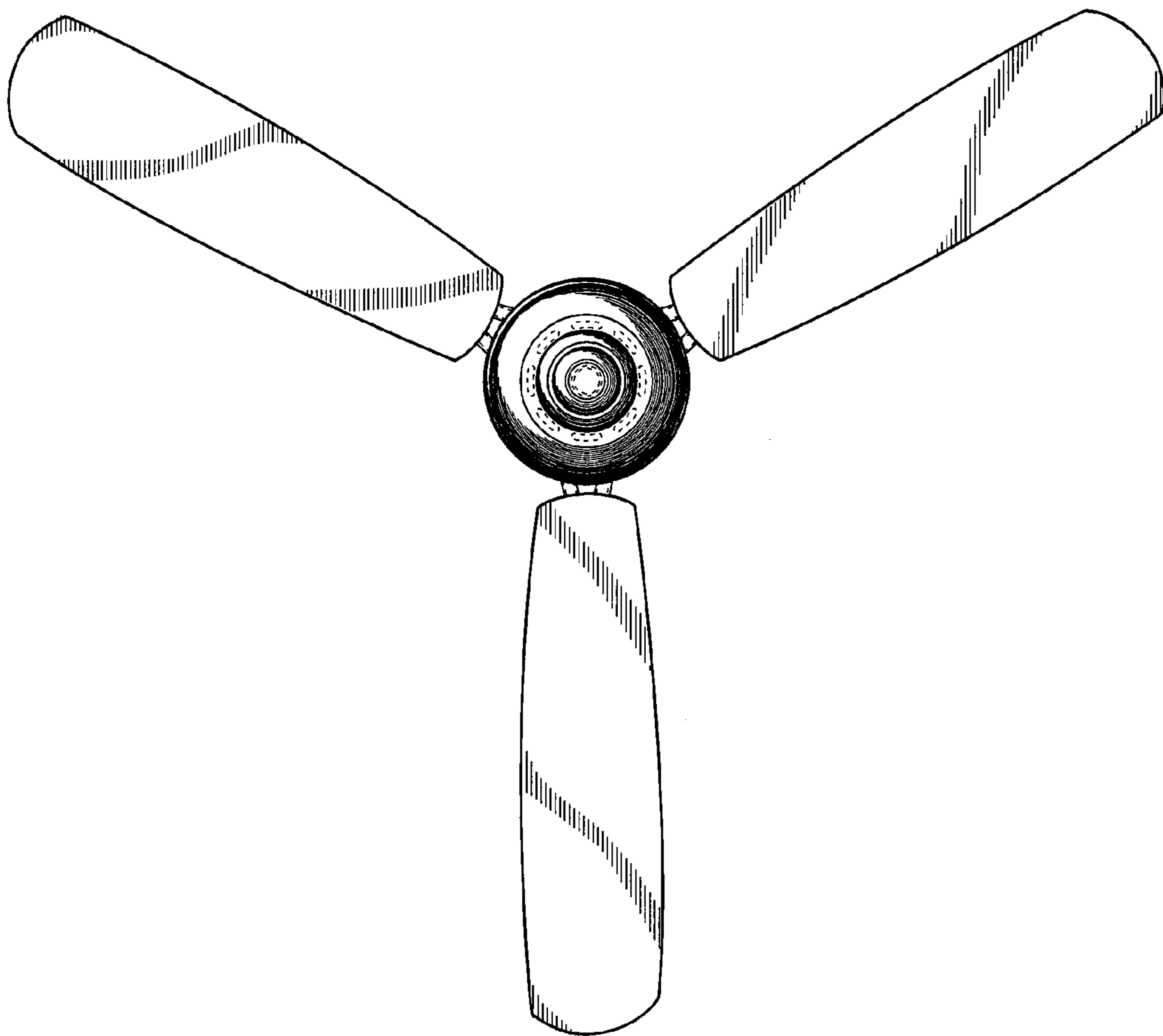


Fig.2

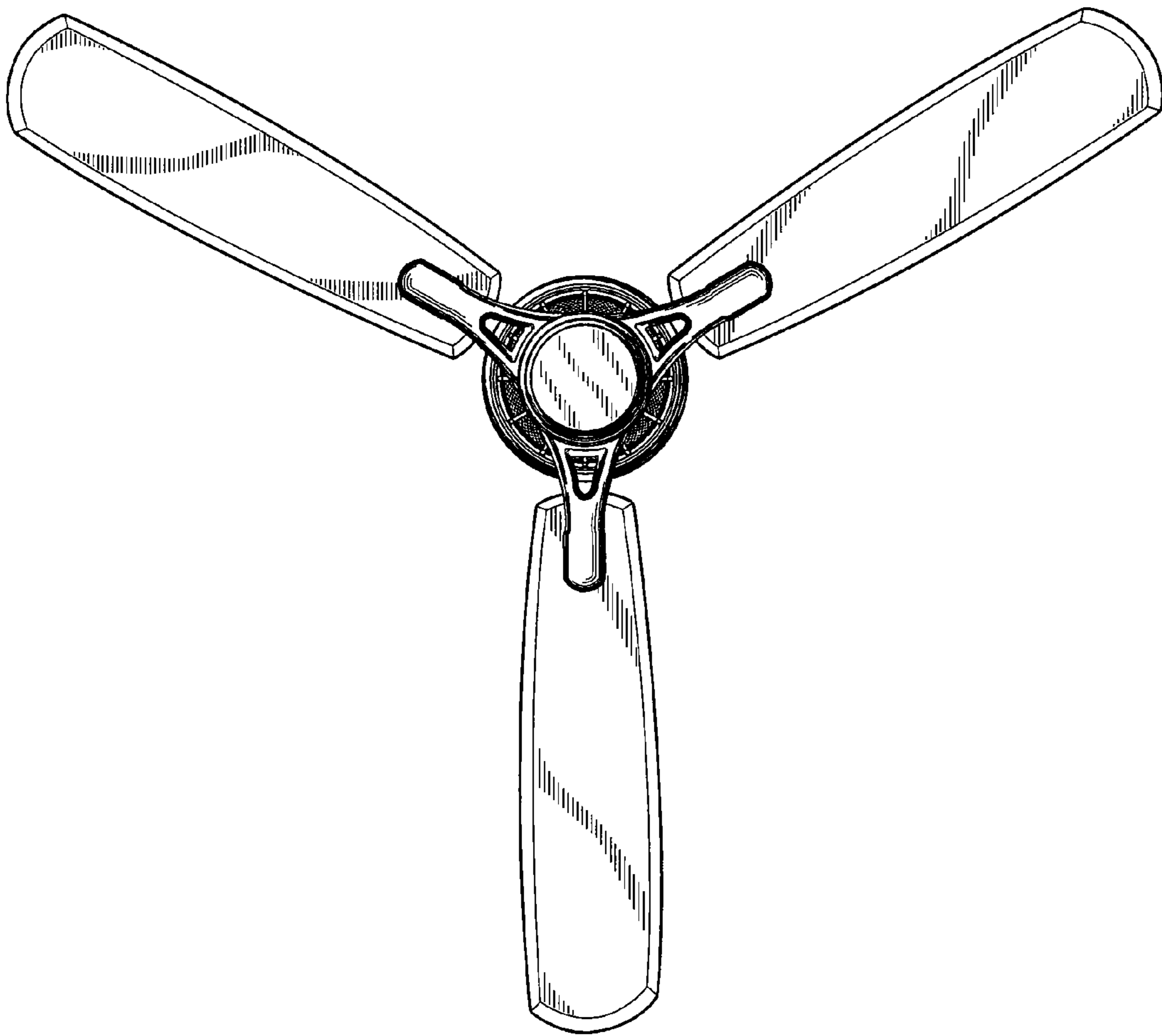


Fig.3

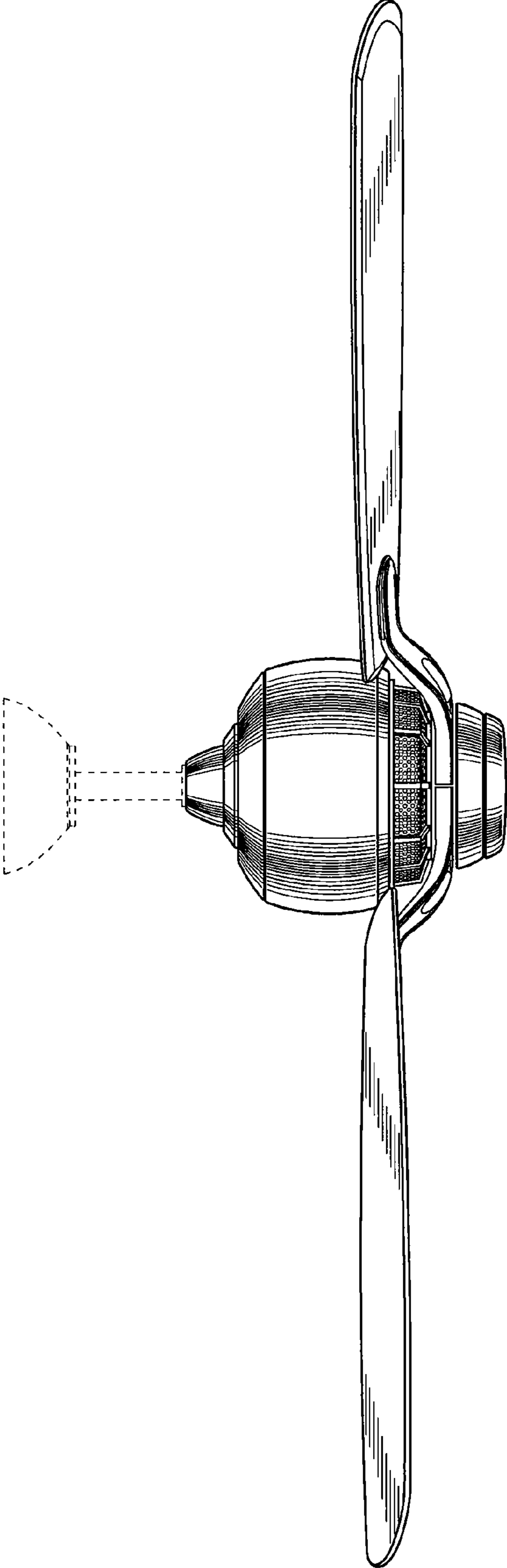


Fig.4

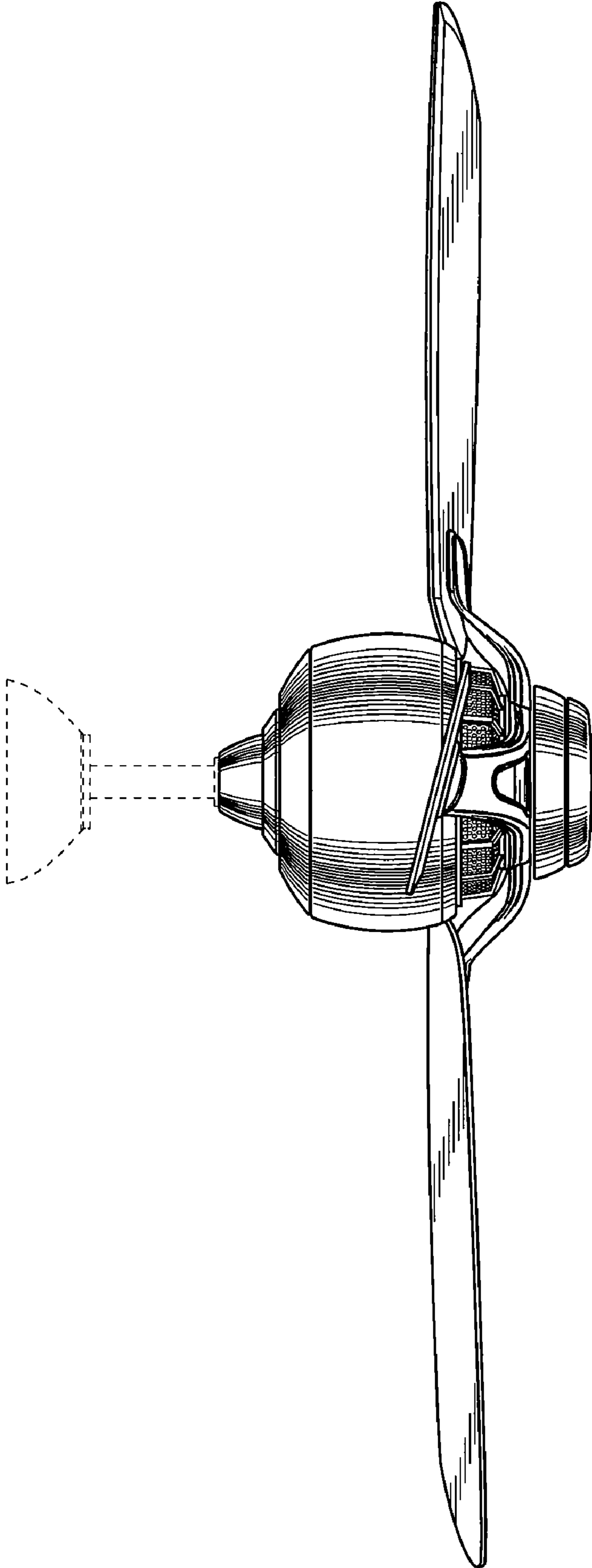


Fig.5

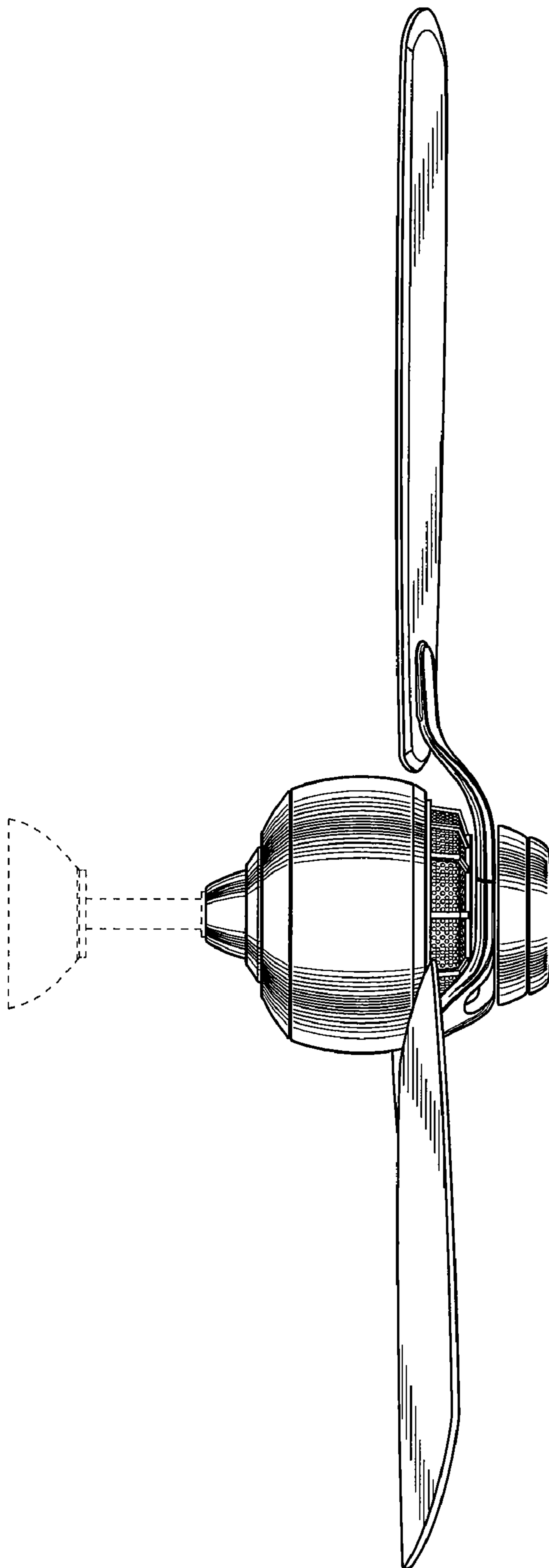


Fig.6

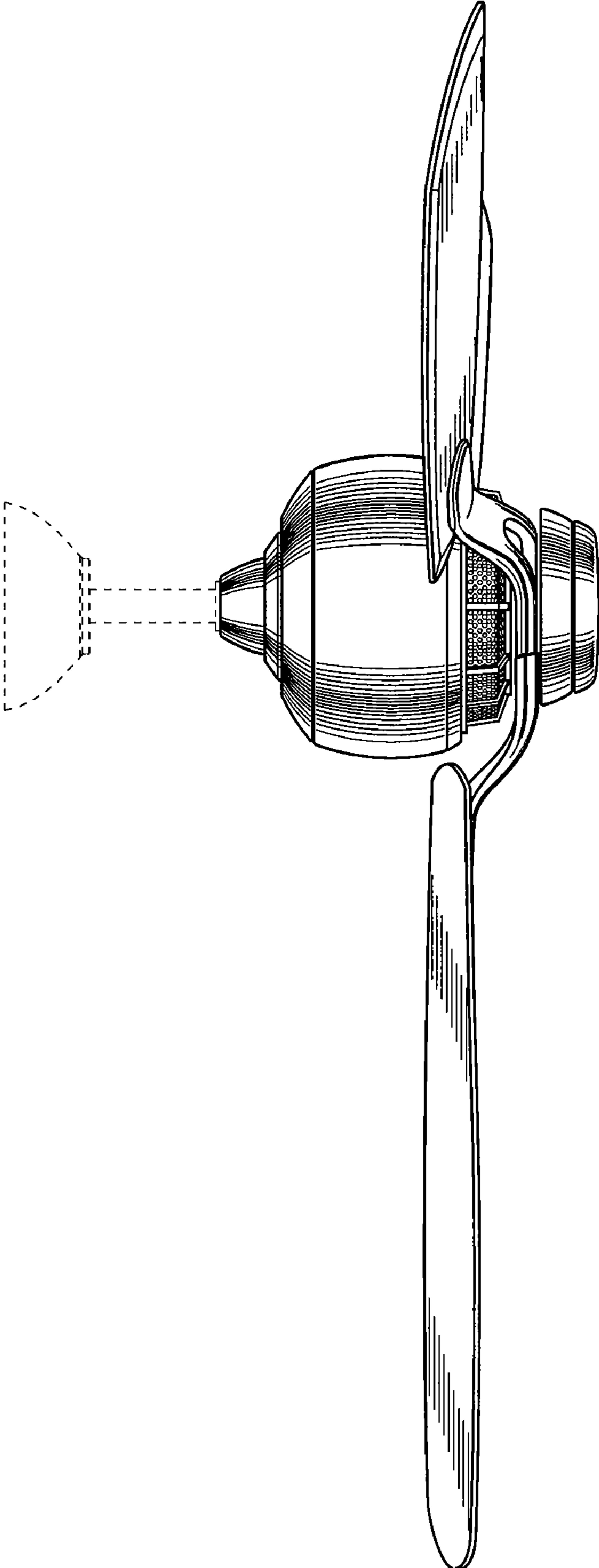


Fig. 7