



US00D598997S

(12) **United States Design Patent**
Klausing et al.

(10) **Patent No.:** **US D598,997 S**

(45) **Date of Patent:** **** Aug. 25, 2009**

(54) **CEILING FAN**

(75) Inventors: **Bethany L. Klausing**, Hazelwood, MO (US); **Randall W. Robison**, Winfield, MO (US); **David R. Lathrop**, Edwardsville, IL (US)

(73) Assignee: **Emerson Electric Co.**, St. Louis, MO (US)

(**) Term: **14 Years**

(21) Appl. No.: **29/326,113**

(22) Filed: **Oct. 13, 2008**

(51) **LOC (9) Cl.** **23-04**

(52) **U.S. Cl.** **D23/377**

(58) **Field of Classification Search** D23/377,
D23/379, 385, 411; D26/59, 81-86, 72,
D26/51; 362/96

See application file for complete search history.

(56) **References Cited**

U.S. PATENT DOCUMENTS

D451,993 S * 12/2001 Hsieh D23/377
D523,952 S * 6/2006 Ertze D23/411
D531,298 S 10/2006 Hidalgo

* cited by examiner

Primary Examiner—Lisa P Lichtenstein

(74) *Attorney, Agent, or Firm*—Locke Lord Bissell & Liddell LLP

(57) **CLAIM**

The ornamental design for a ceiling fan, as shown and described.

DESCRIPTION

FIG. 1 is a bottom perspective view of a ceiling fan, showing the new design;

FIG. 2 is a top perspective view;

FIG. 3 is an elevation view;

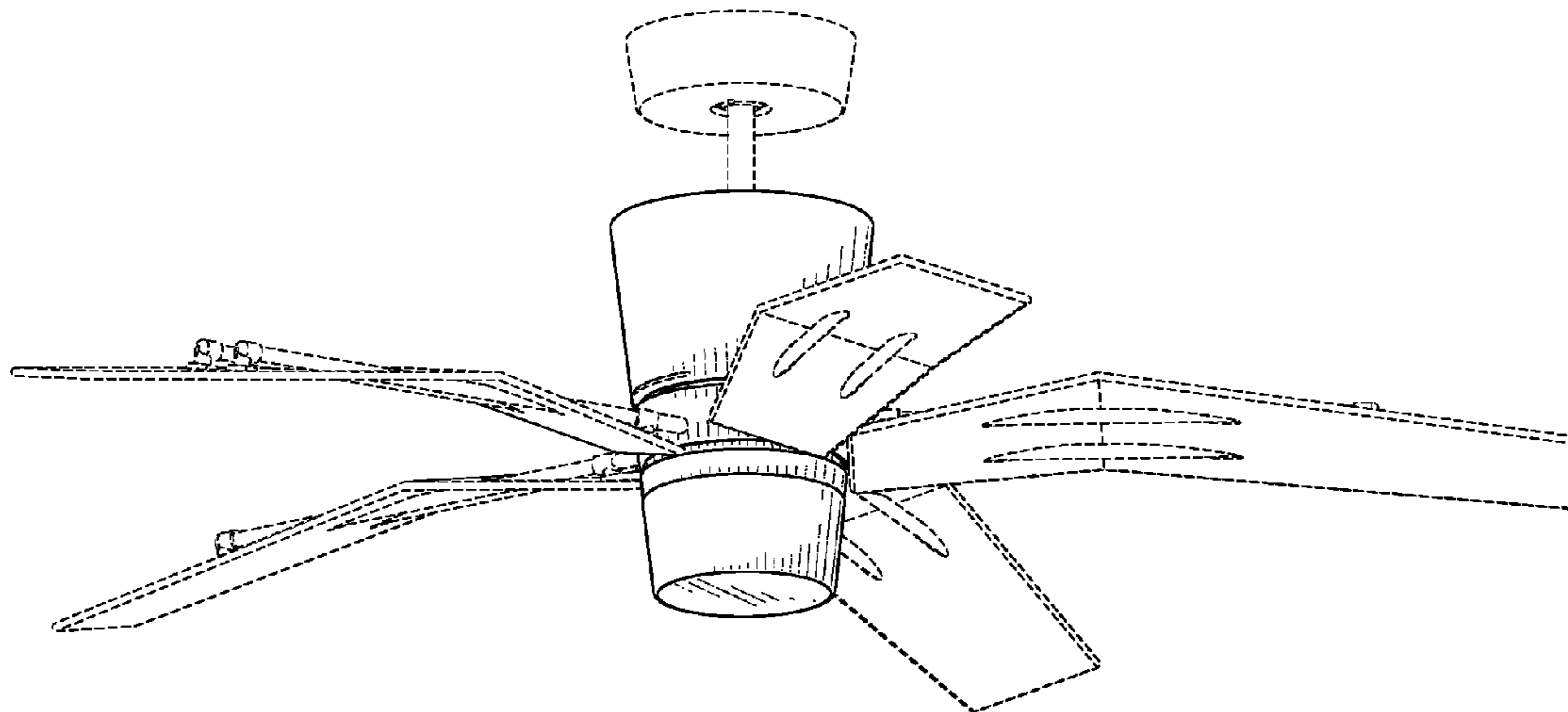
FIG. 4 is an elevation view opposite of the elevation view shown in FIG. 3;

FIG. 5 is a top view; and,

FIG. 6 is a bottom view.

The broken line showing of portions of the ceiling fan is included for the purpose of illustrating environmental structure and forms no part of the claimed design.

1 Claim, 4 Drawing Sheets



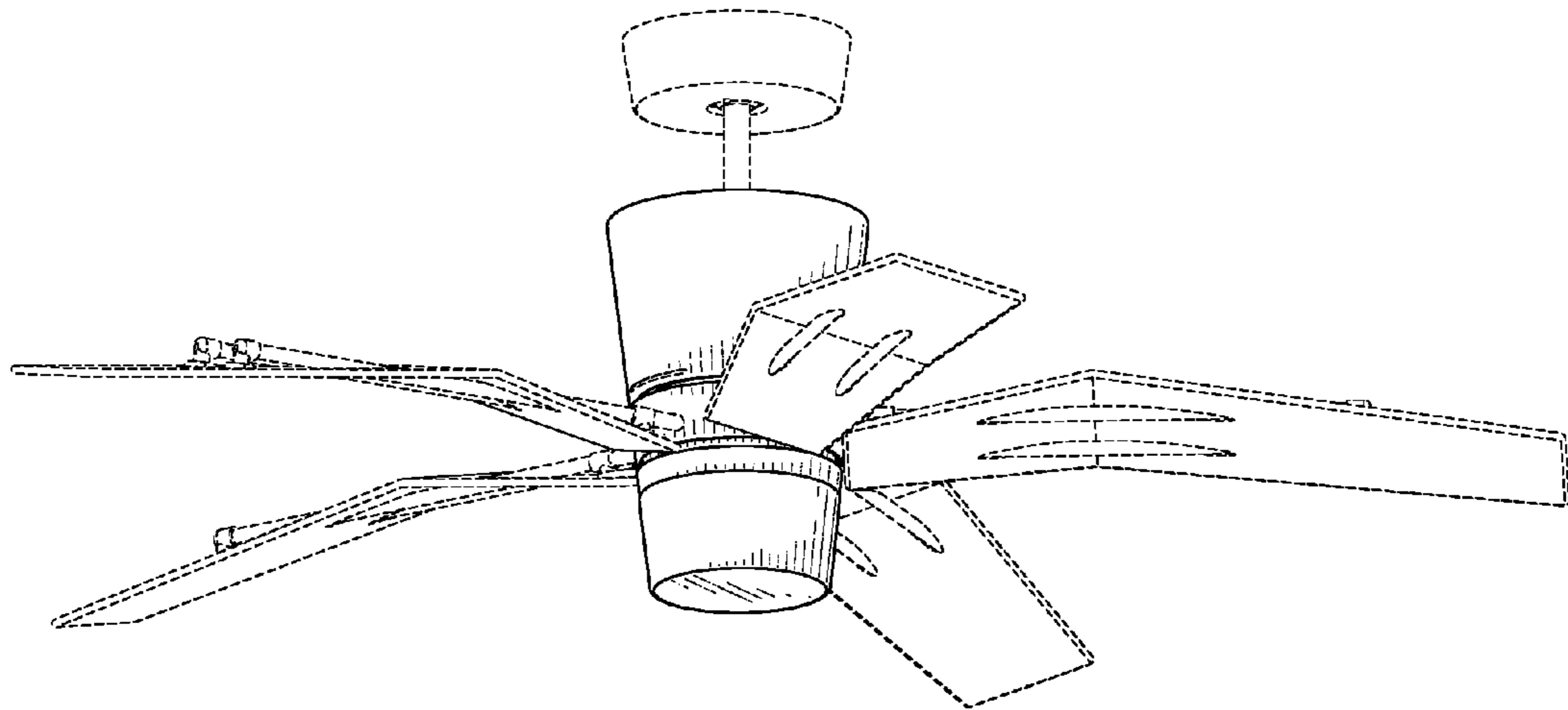


FIG. 1

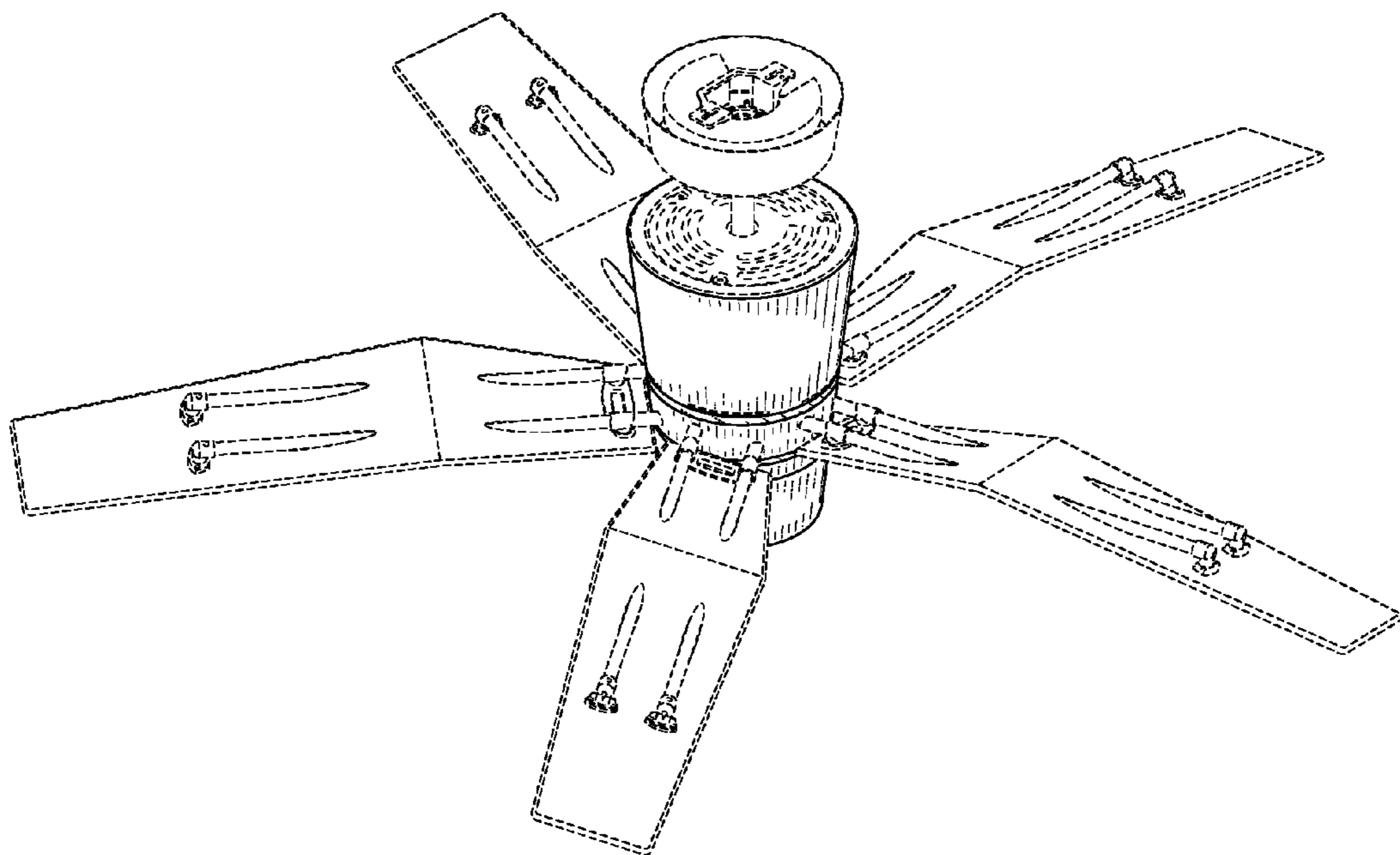


FIG. 2

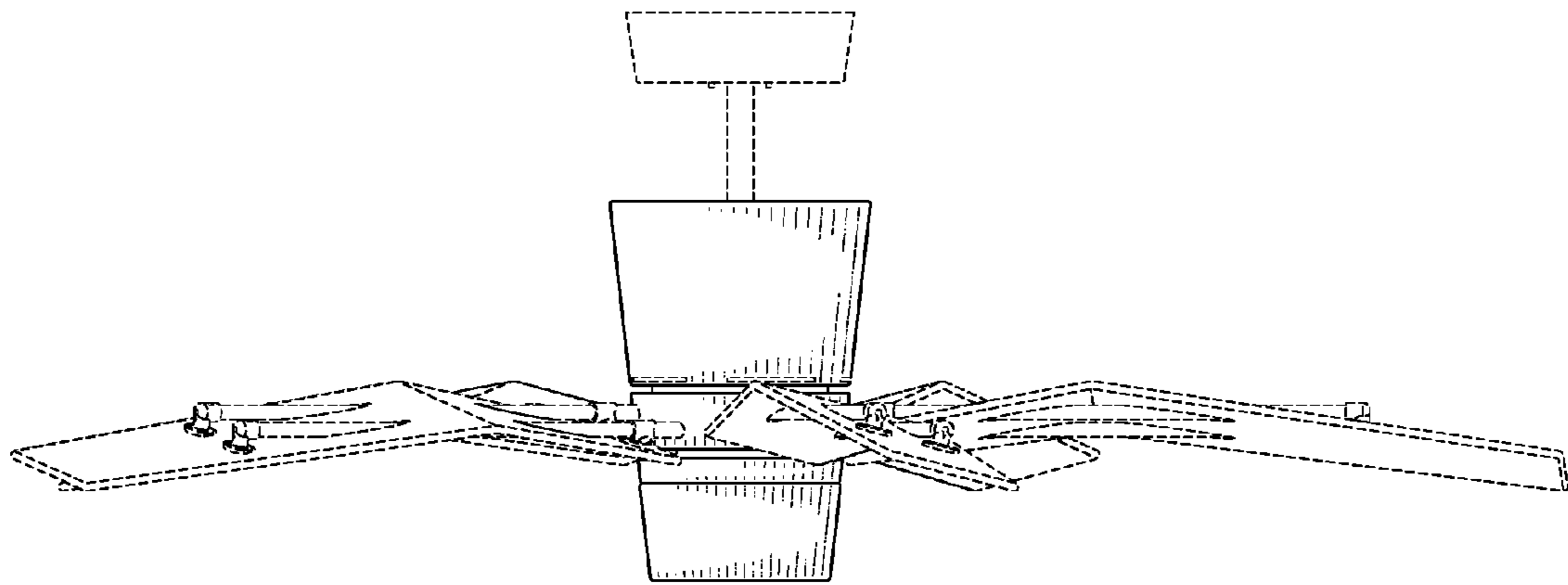


FIG. 3

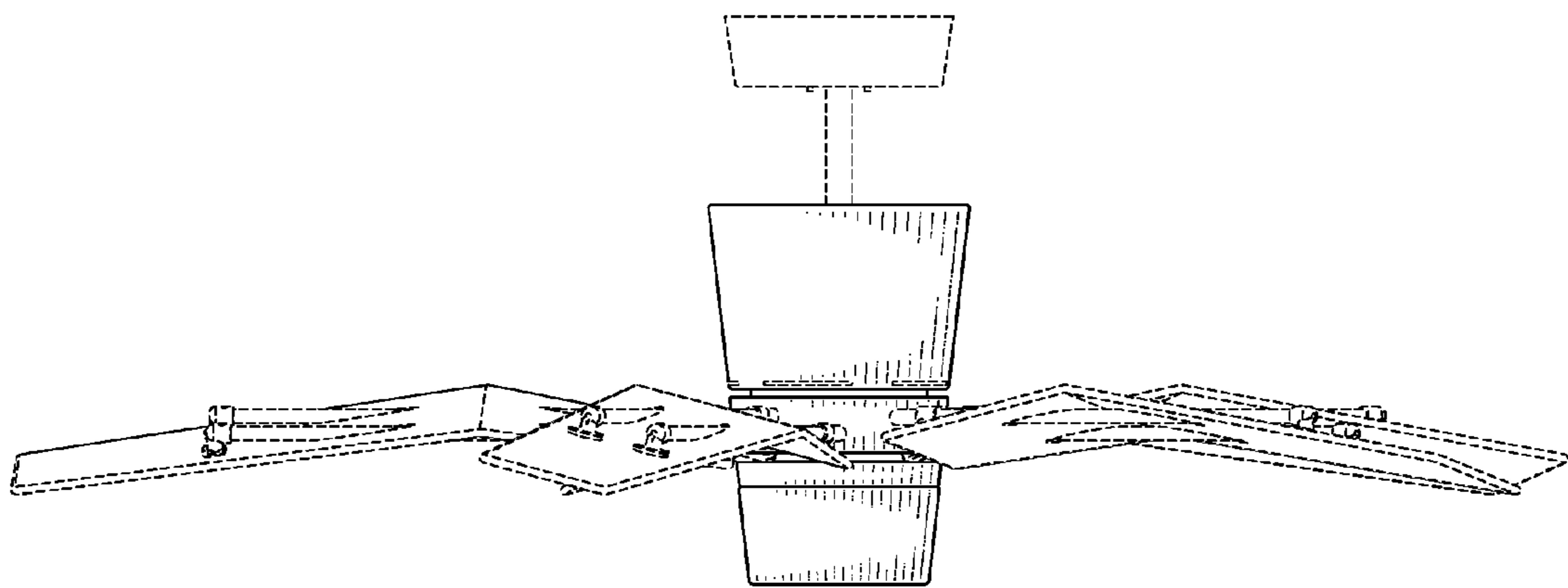


FIG. 4

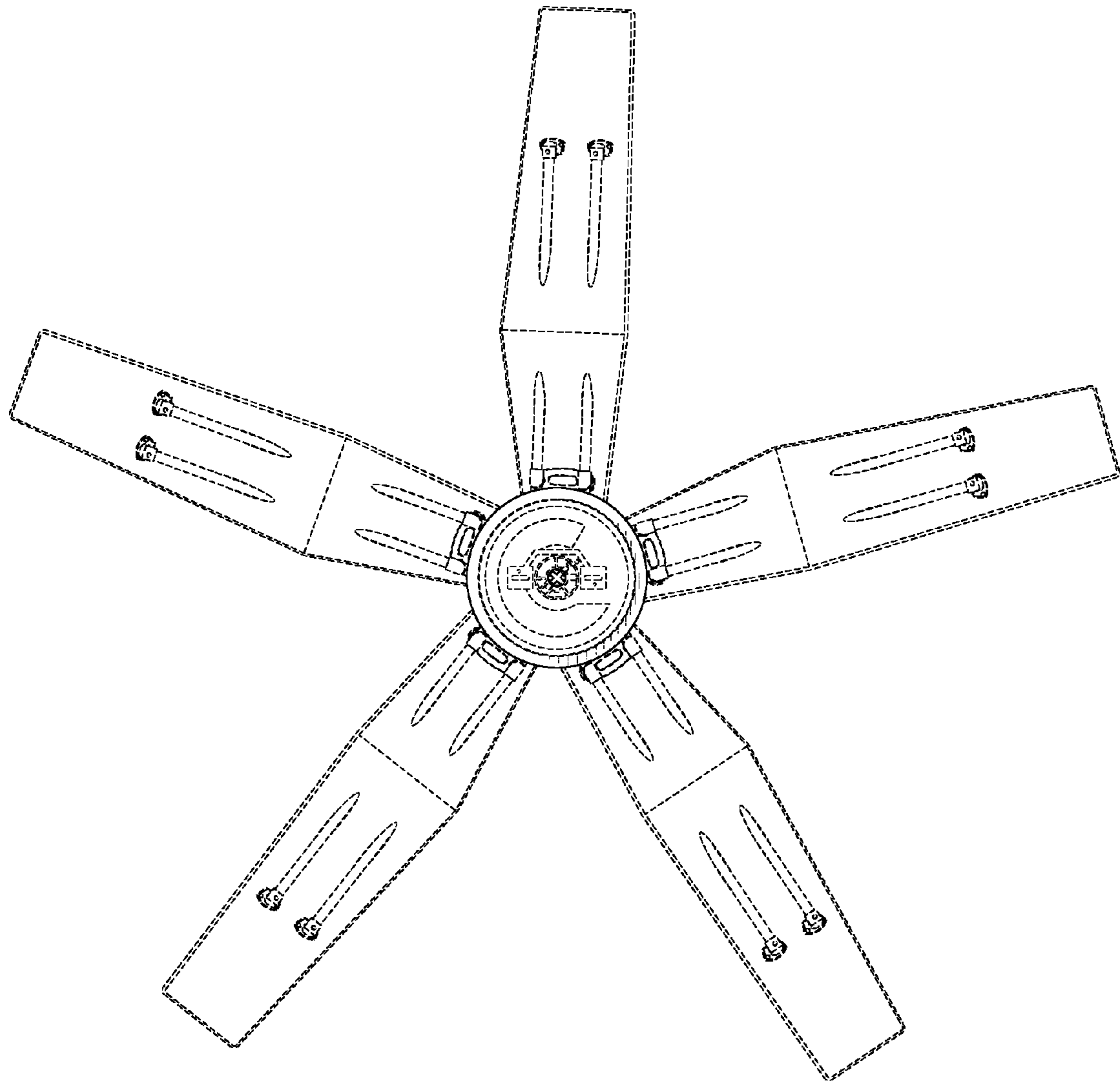


FIG. 5

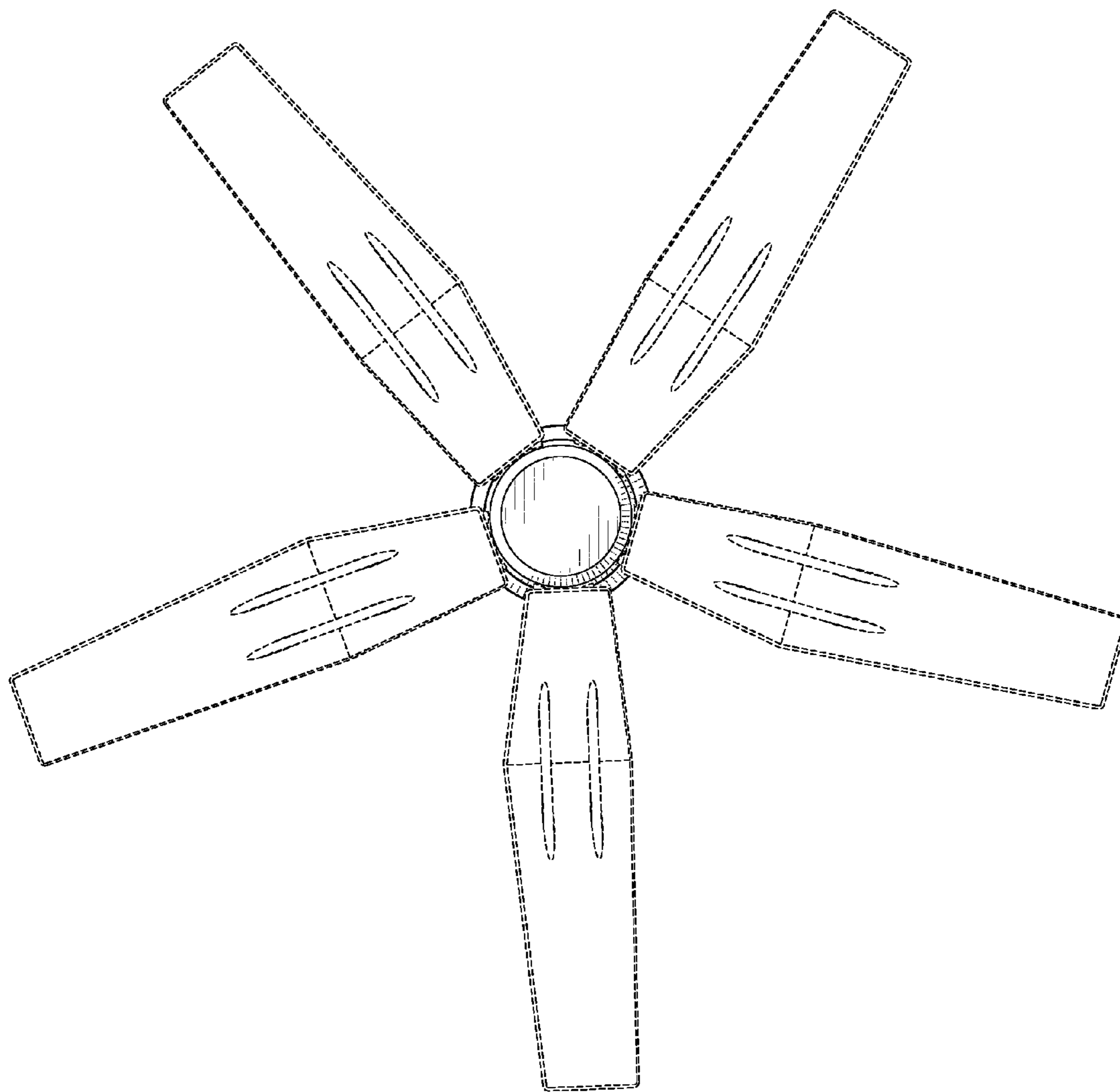


FIG. 6