



US00D598994S

(12) **United States Design Patent**  
**Aso et al.**

(10) **Patent No.:** **US D598,994 S**

(45) **Date of Patent:** **\*\* Aug. 25, 2009**

(54) **LAVATORY**

(75) Inventors: **Shigeru Aso**, Buzen (JP); **Masanobu Wano**, Kitakyusyu (JP); **Takeshi Kaneda**, Kitakyusyu (JP)

(73) Assignee: **Toto Ltd.**, Kitakyusyu-shi (JP)

(\*\*) Term: **14 Years**

(21) Appl. No.: **29/327,934**

(22) Filed: **Nov. 14, 2008**

(51) **LOC (9) Cl.** ..... **23-02**

(52) **U.S. Cl.** ..... **D23/293.1**

(58) **Field of Classification Search** ..... D23/270-274,  
D23/284, 285, 291, 293.1, 303, 308; 4/619,  
4/638, 650, 661

See application file for complete search history.

(56) **References Cited**

U.S. PATENT DOCUMENTS

D545,947 S \* 7/2007 Bruce ..... D23/293.1

\* cited by examiner

*Primary Examiner*—Robert A Delehanty

(74) *Attorney, Agent, or Firm*—Birch, Stewart, Kolasch & Birch, LLP

(57) **CLAIM**

The ornamental design for a lavatory, as shown and described.

**DESCRIPTION**

FIG. 1 is a perspective view of the top, front and right side of a lavatory showing our new design;

FIG. 2 is a front view thereof;

FIG. 3 is a rear view thereof;

FIG. 4 is a top plan view thereof;

FIG. 5 is a bottom view thereof;

FIG. 6 is a left side view thereof;

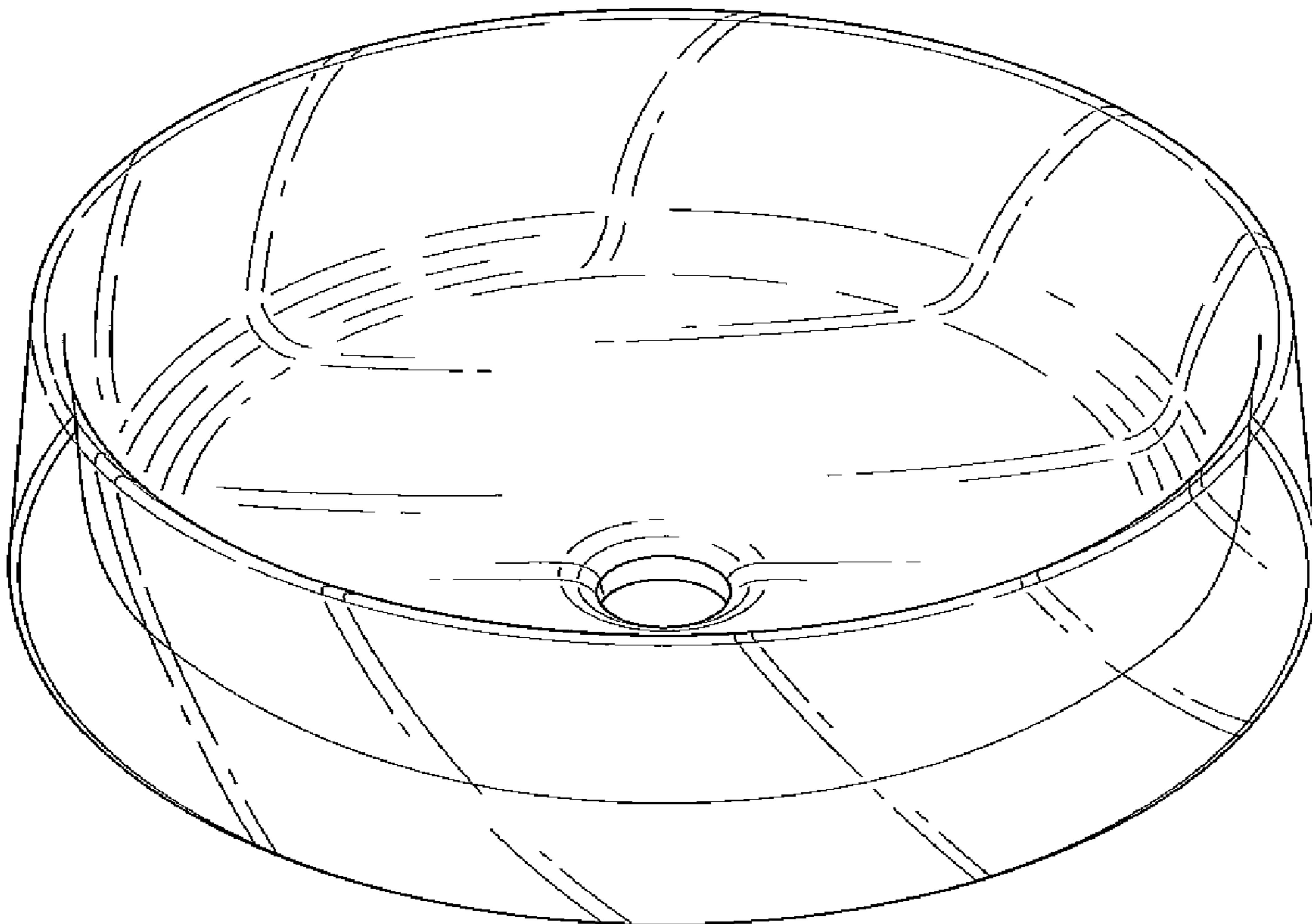
FIG. 7 is a right side view thereof;

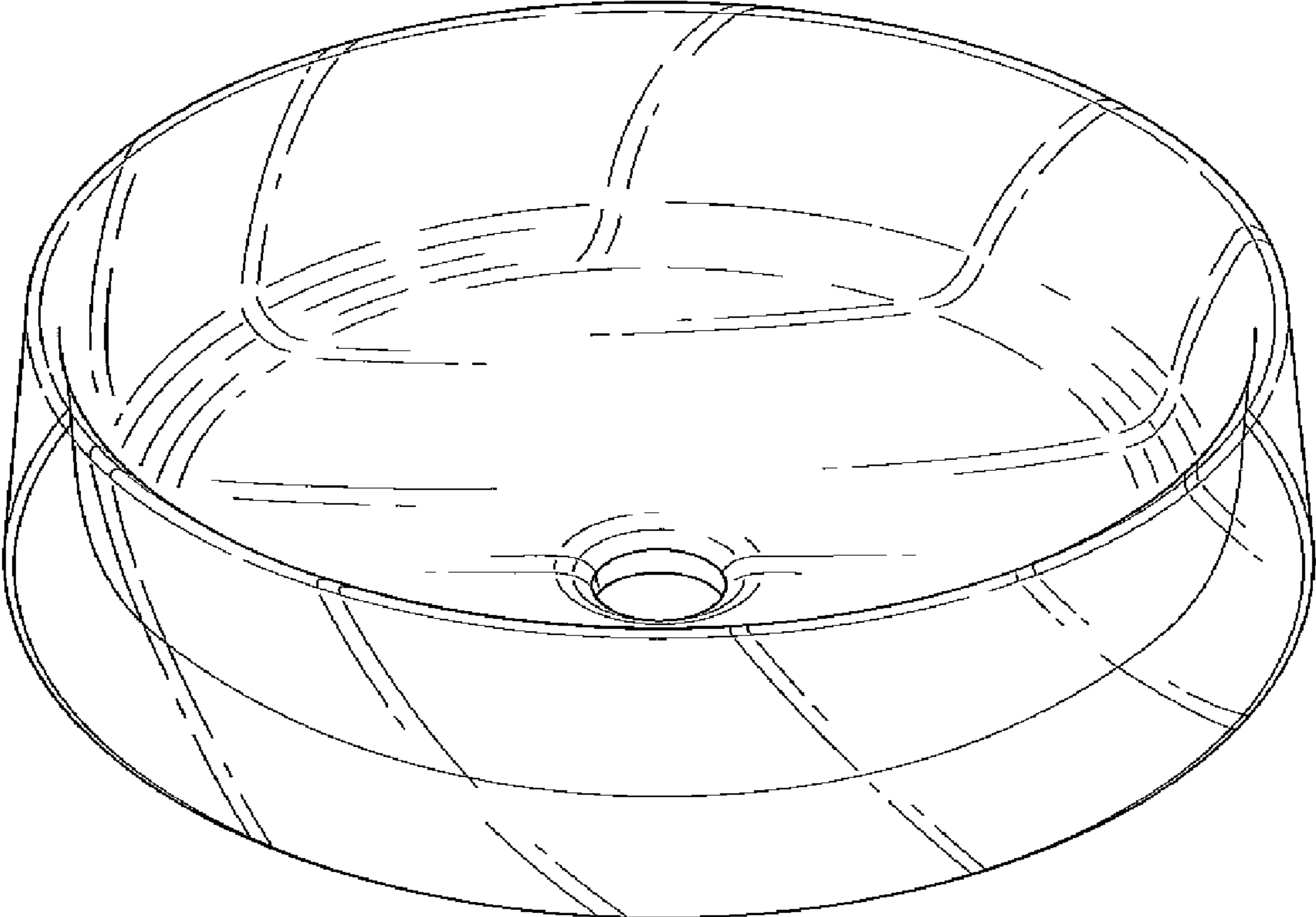
FIG. 8 is a cross sectional view at 8—8 in FIG. 4 thereof; and,

FIG. 9 is a reference view of usage thereof.

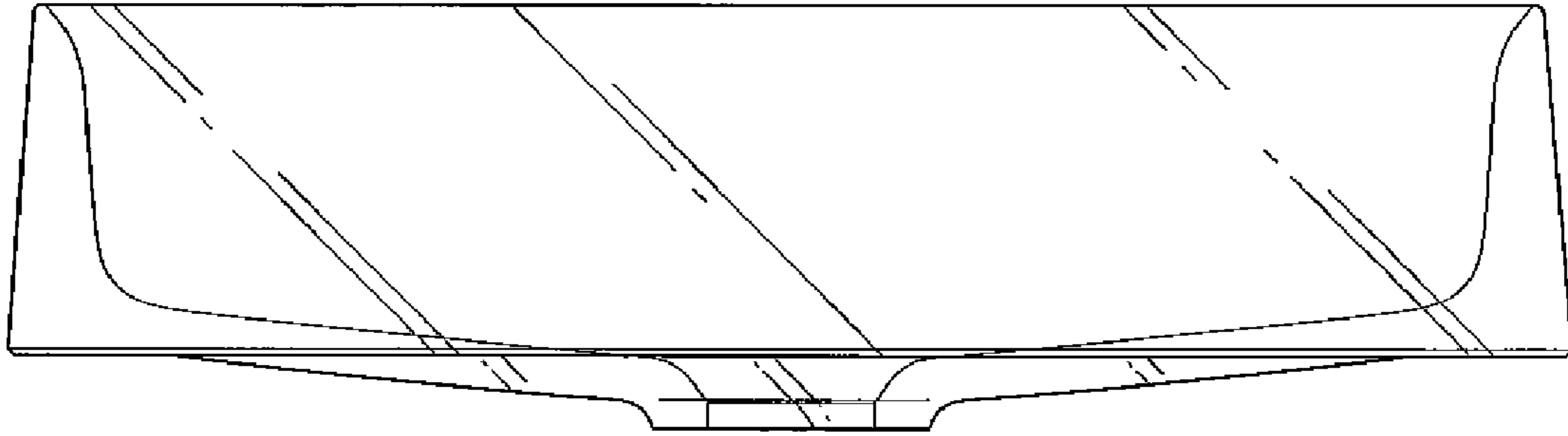
The portion of the article in broken lines are shown for illustrative purposes only and form no part of the claimed design.

**1 Claim, 6 Drawing Sheets**

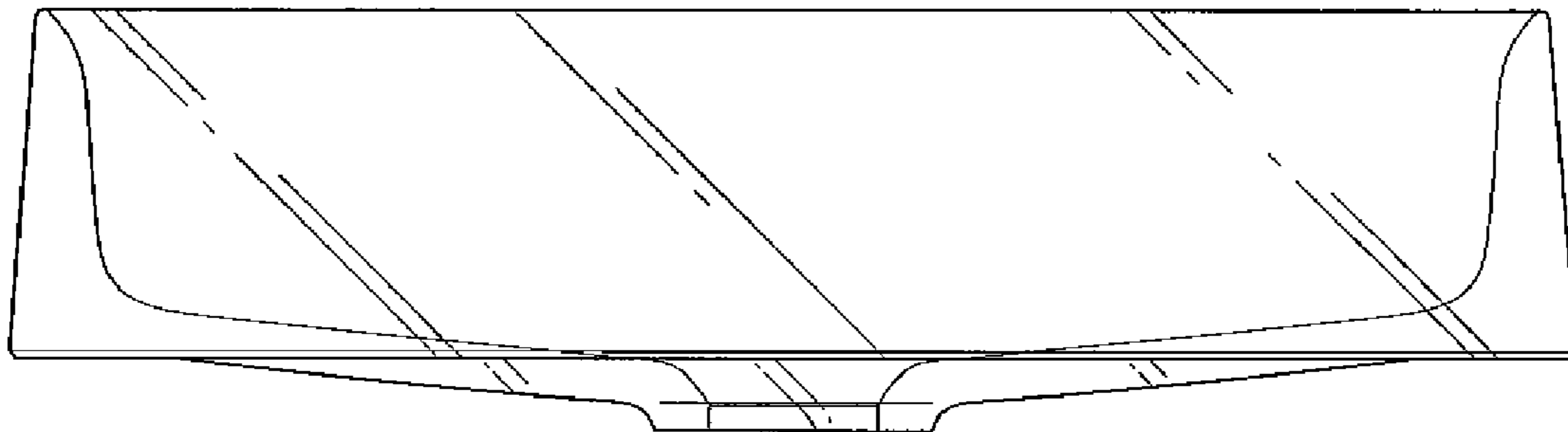




**FIG. 1**



*FIG. 2*



*FIG. 3*

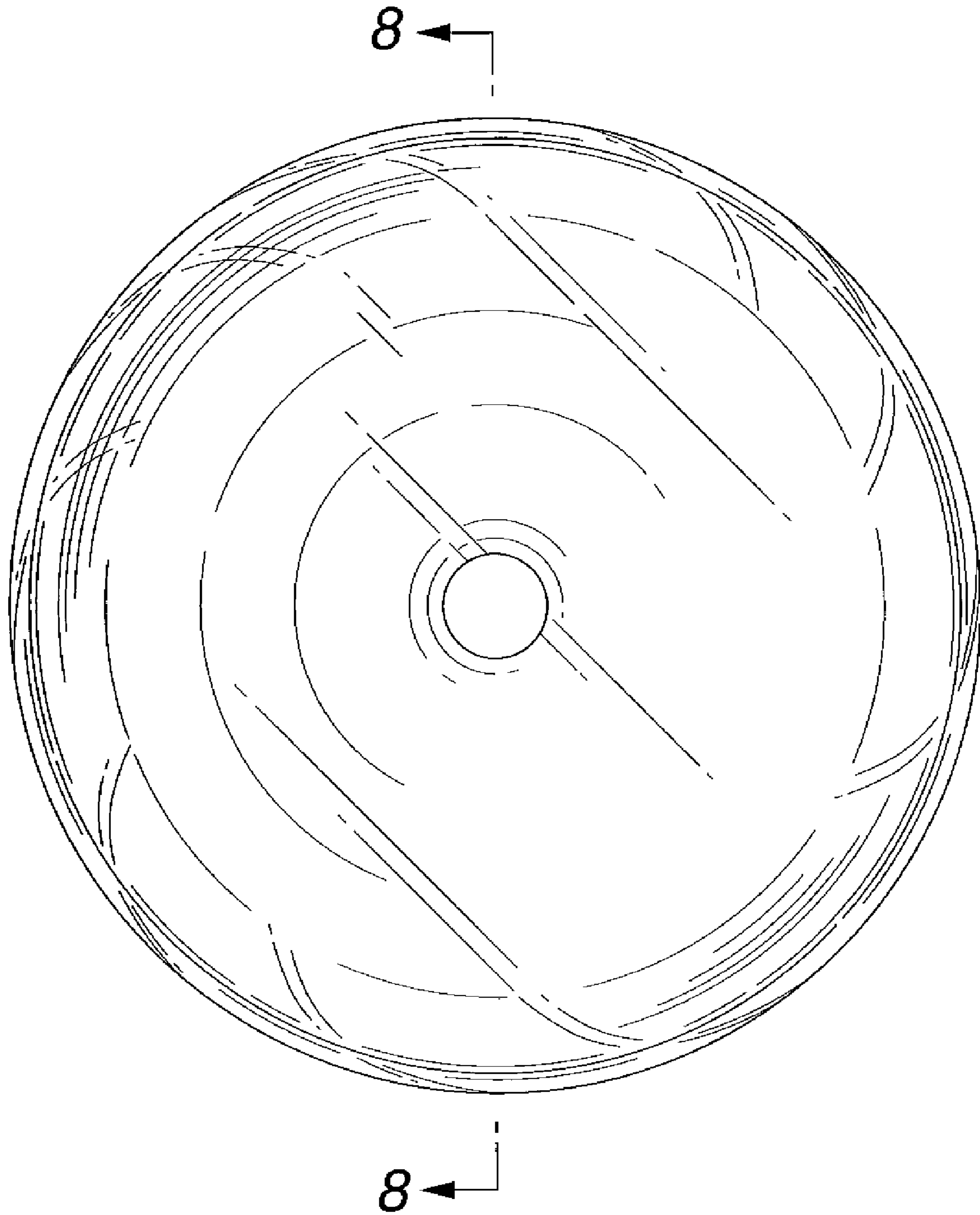
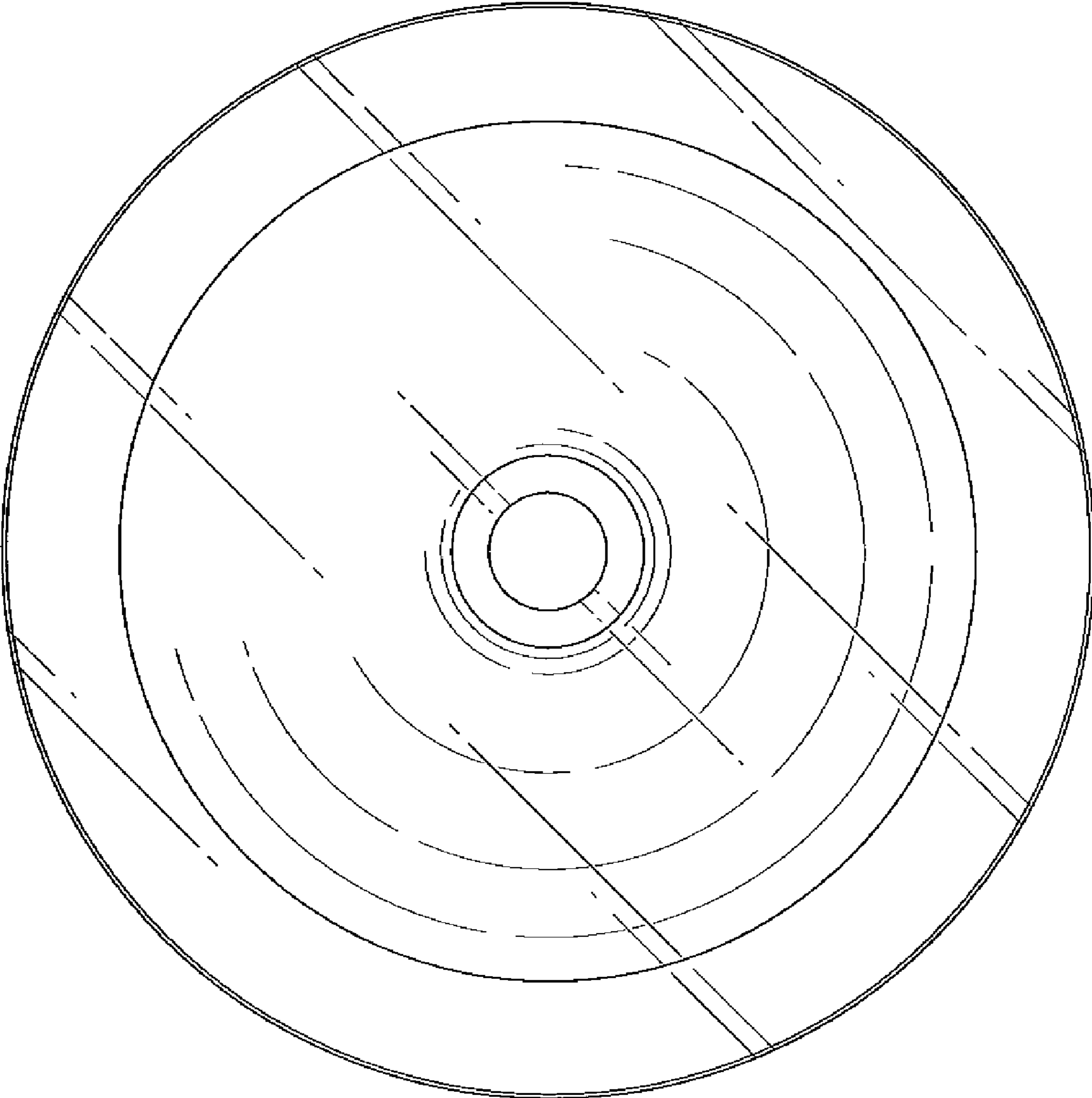
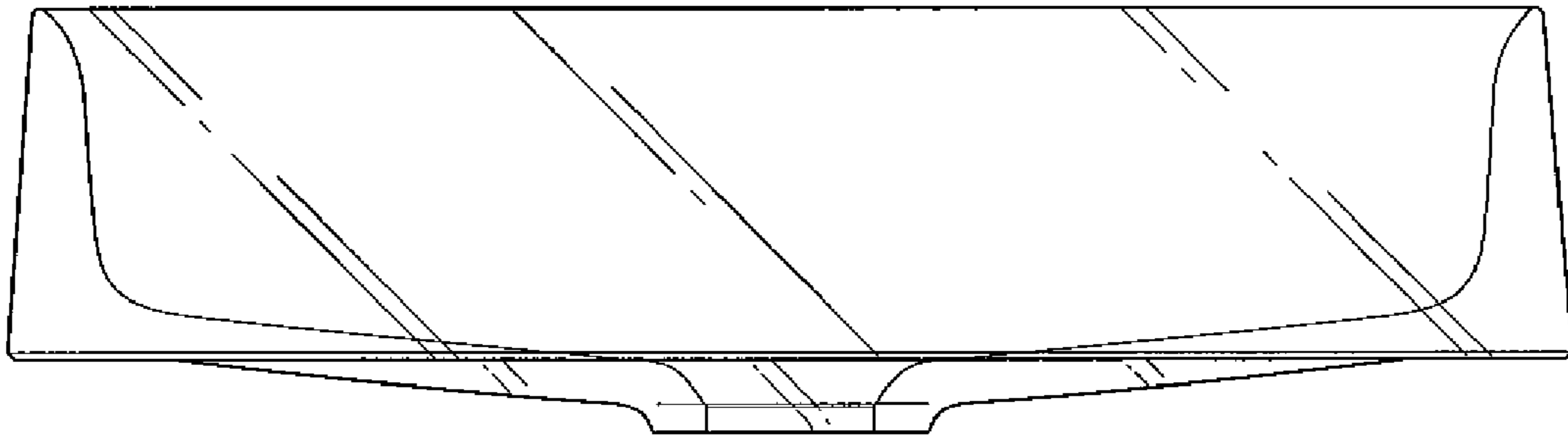


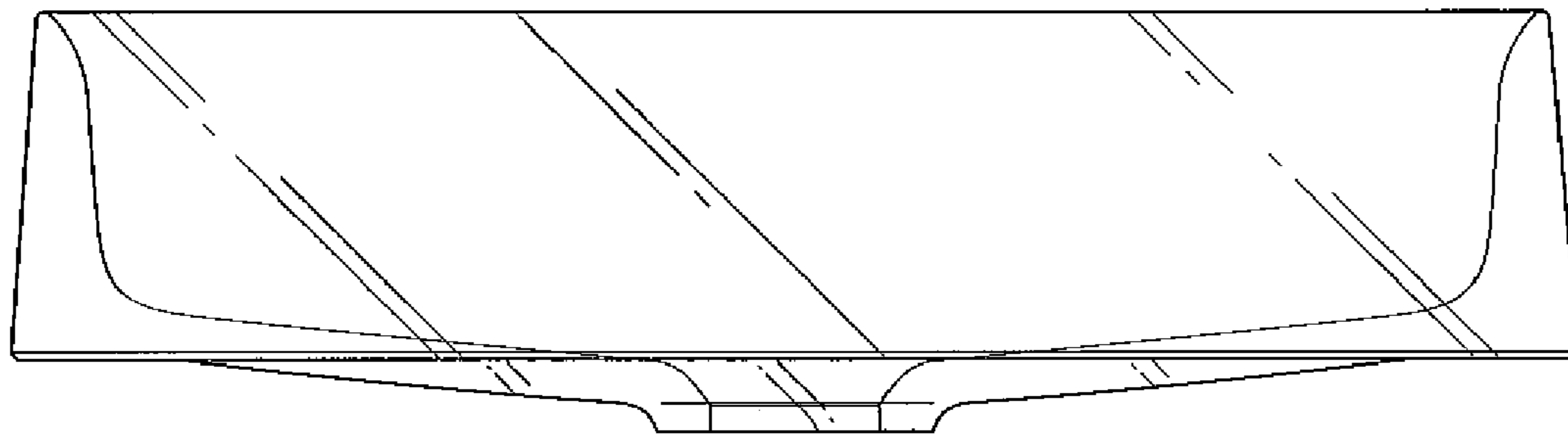
FIG. 4



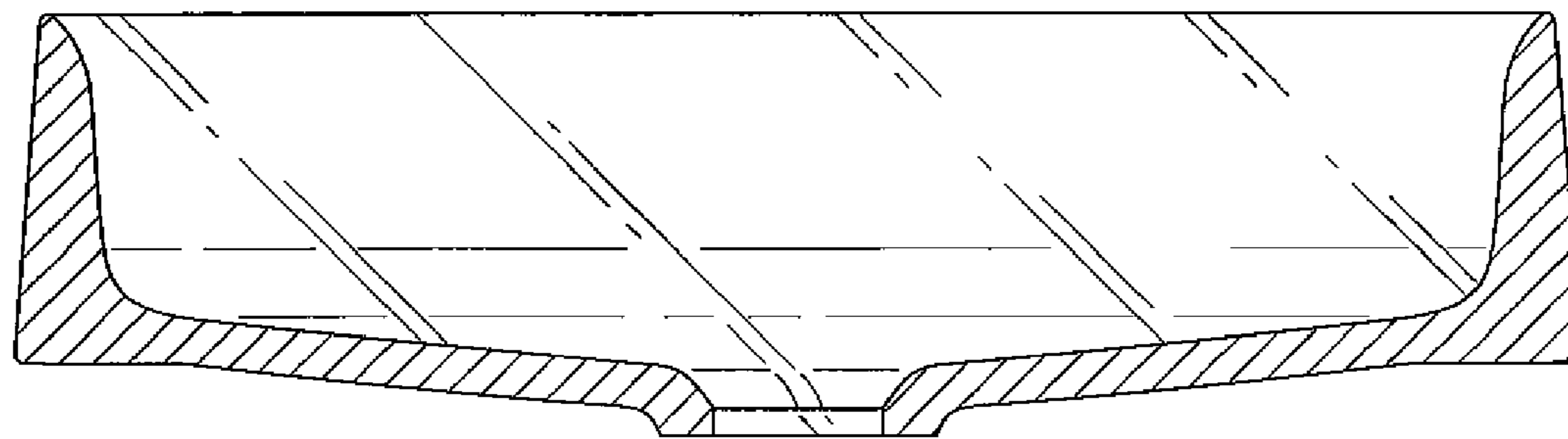
**FIG. 5**



*FIG. 6*



*FIG. 7*



*FIG. 8*



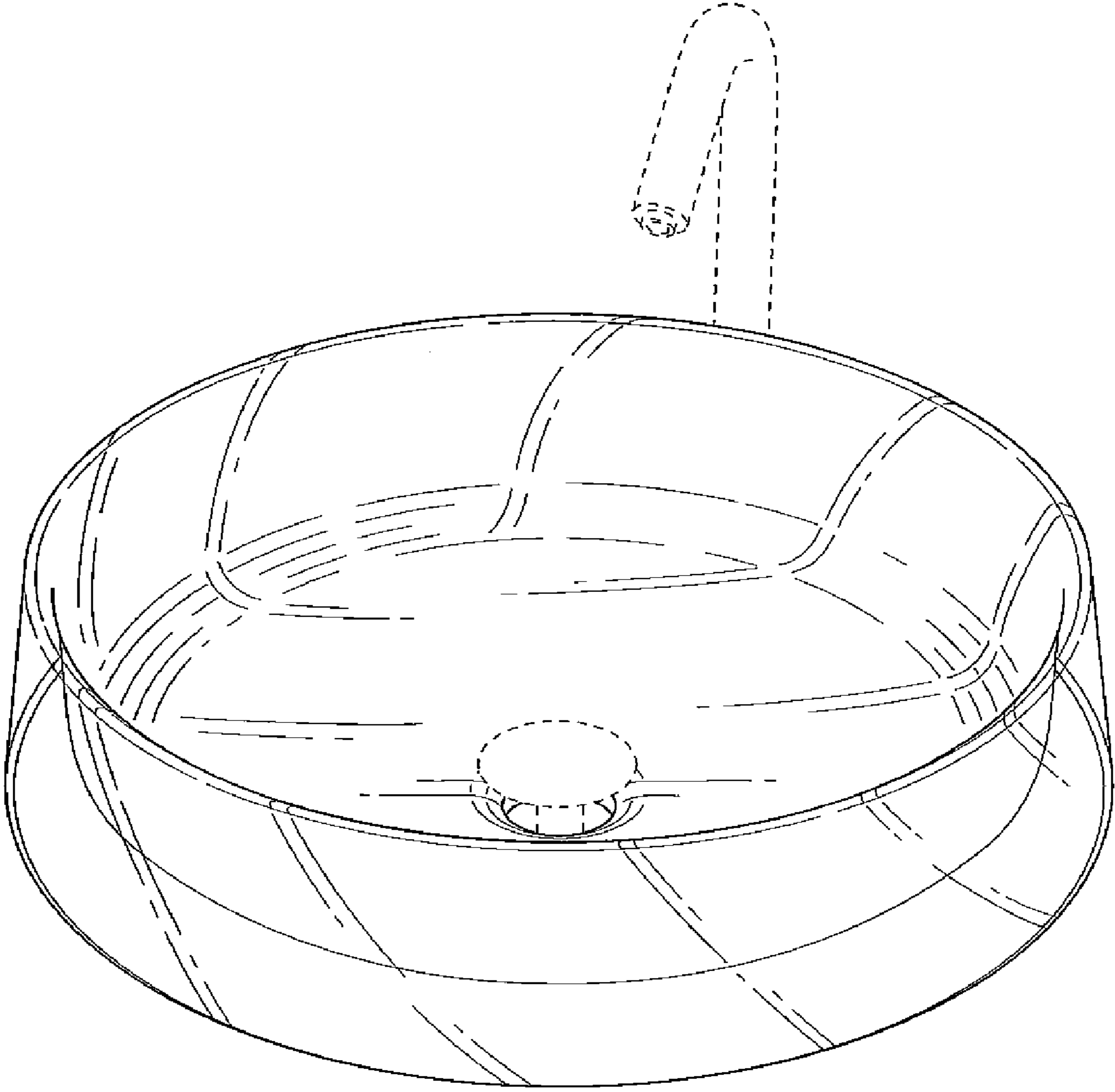


FIG. 9

UNITED STATES PATENT AND TRADEMARK OFFICE  
**CERTIFICATE OF CORRECTION**

PATENT NO. : Des. 598,994 S  
APPLICATION NO. : 29/327934  
DATED : August 25, 2009  
INVENTOR(S) : Shigeru Aso et al.

Page 1 of 1

It is certified that error appears in the above-identified patent and that said Letters Patent is hereby corrected as shown below:

Title Page, Insert

--(30) Foreign Application Priority Data  
May 16, 2008 (JP).....2008-012269--

Signed and Sealed this

Twenty-second Day of June, 2010



David J. Kappos  
*Director of the United States Patent and Trademark Office*