

US00D598993S

(12) **United States Design Patent**
Kakihana et al.

(10) **Patent No.:** **US D598,993 S**

(45) **Date of Patent:** **** Aug. 25, 2009**

(54) **LAVATORY**

D545,947 S * 7/2007 Bruce D23/293.1

* cited by examiner

(75) Inventors: **Hajime Kakihana**, Kitakyusyu (JP);
James Piatt, Kitakyusyu (JP); **Rie**
Yokoyama, Kitakyusyu (JP)

Primary Examiner—Robert A Delehanty
(74) *Attorney, Agent, or Firm*—Birch, Stewart, Kolasch &
Birch, LLP

(73) Assignee: **Toto Ltd.**, Kitakyusyu-shi (JP)

(57) **CLAIM**

(**) Term: **14 Years**

The ornamental design for a lavatory, as shown and described.

(21) Appl. No.: **29/320,519**

DESCRIPTION

(22) Filed: **Jun. 27, 2008**

FIG. 1 is a perspective view of the top, front and right side of a lavatory showing our new design;

(51) **LOC (9) Cl.** **23-02**

FIG. 2 is a top plan view thereof;

(52) **U.S. Cl.** **D23/293.1**

FIG. 3 is a front view thereof;

(58) **Field of Classification Search** D23/270–274,
D23/284, 285, 291, 293.1, 303, 308; 4/619,
4/638, 650, 661

FIG. 4 is a bottom view thereof;

See application file for complete search history.

FIG. 5 is a rear view thereof;

FIG. 6 is a left side view thereof;

(56) **References Cited**

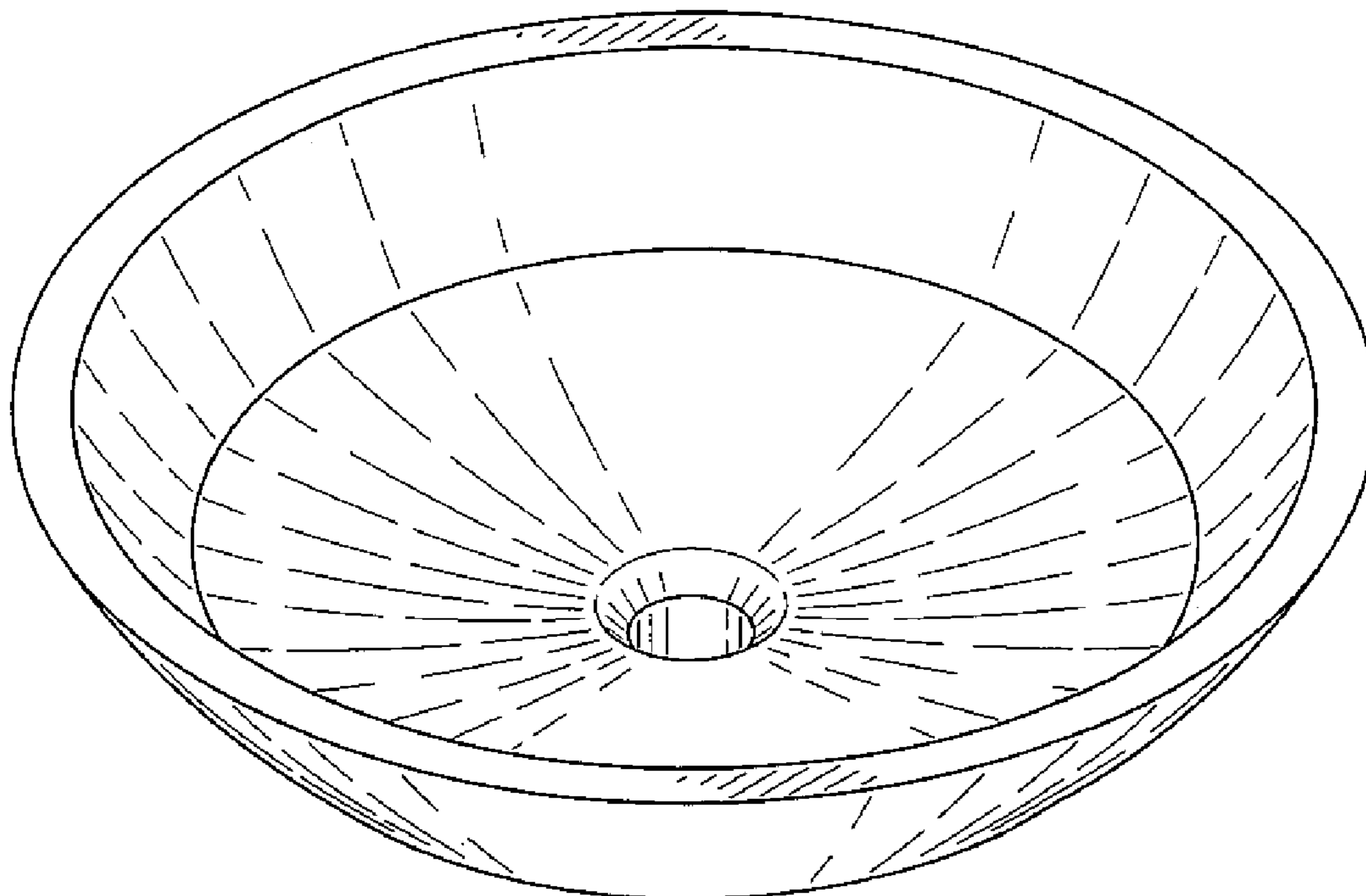
FIG. 7 is a right side view thereof; and,

U.S. PATENT DOCUMENTS

FIG. 8 is a cross sectional view at 8—8 in FIG. 3 thereof.

D218,237 S * 8/1970 Cline 23/290

1 Claim, 4 Drawing Sheets



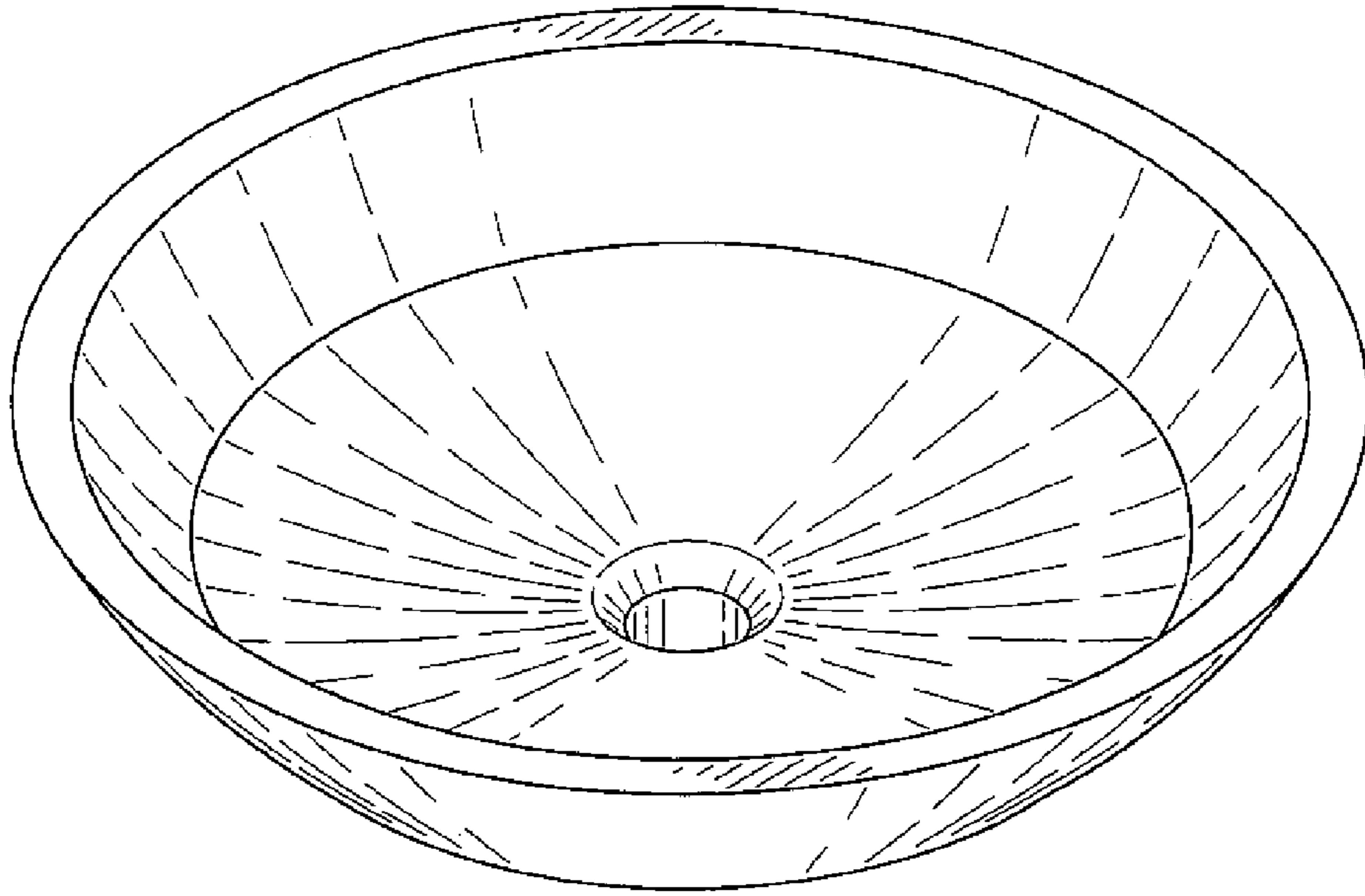


FIG. 1

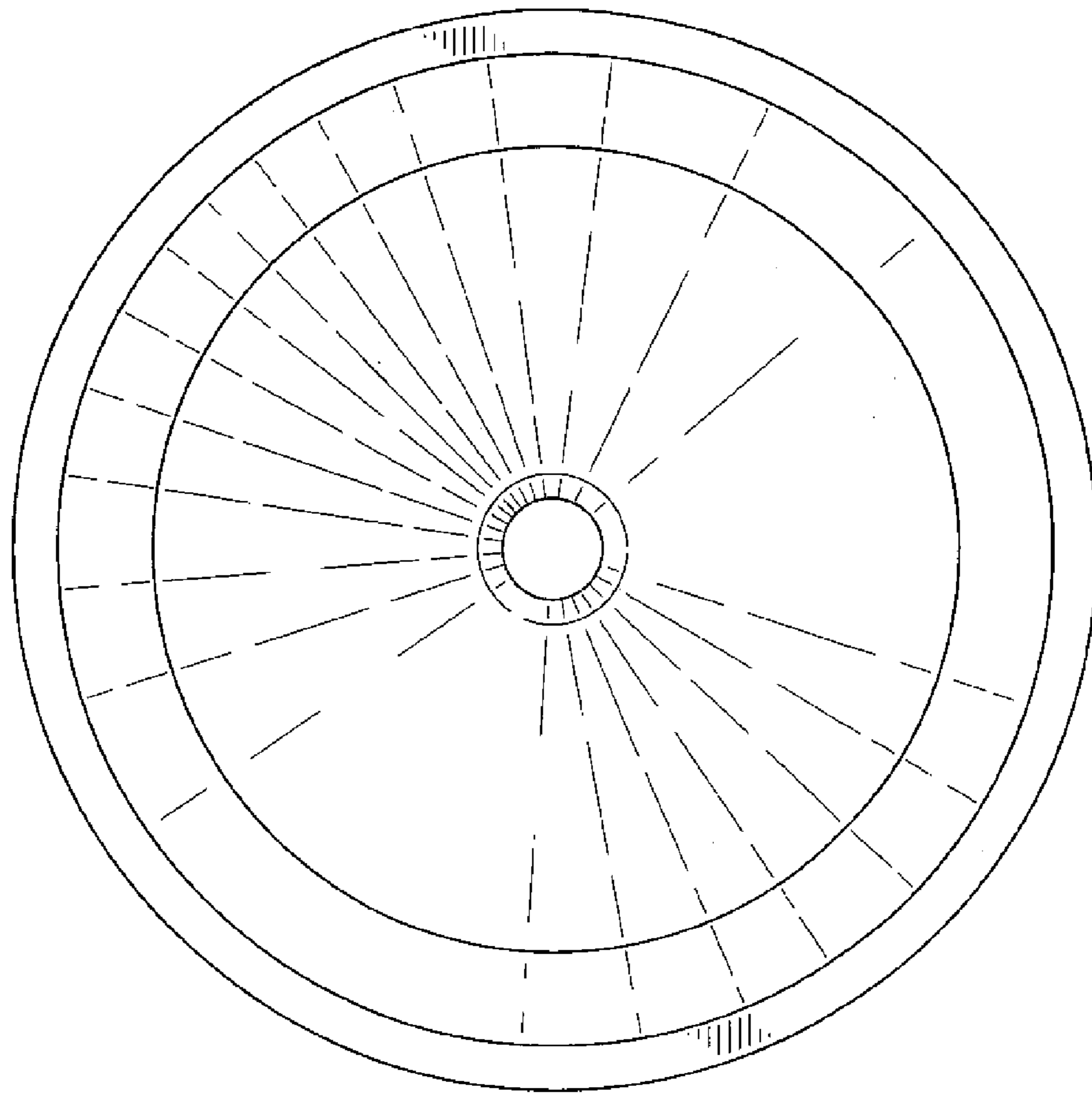


FIG. 2

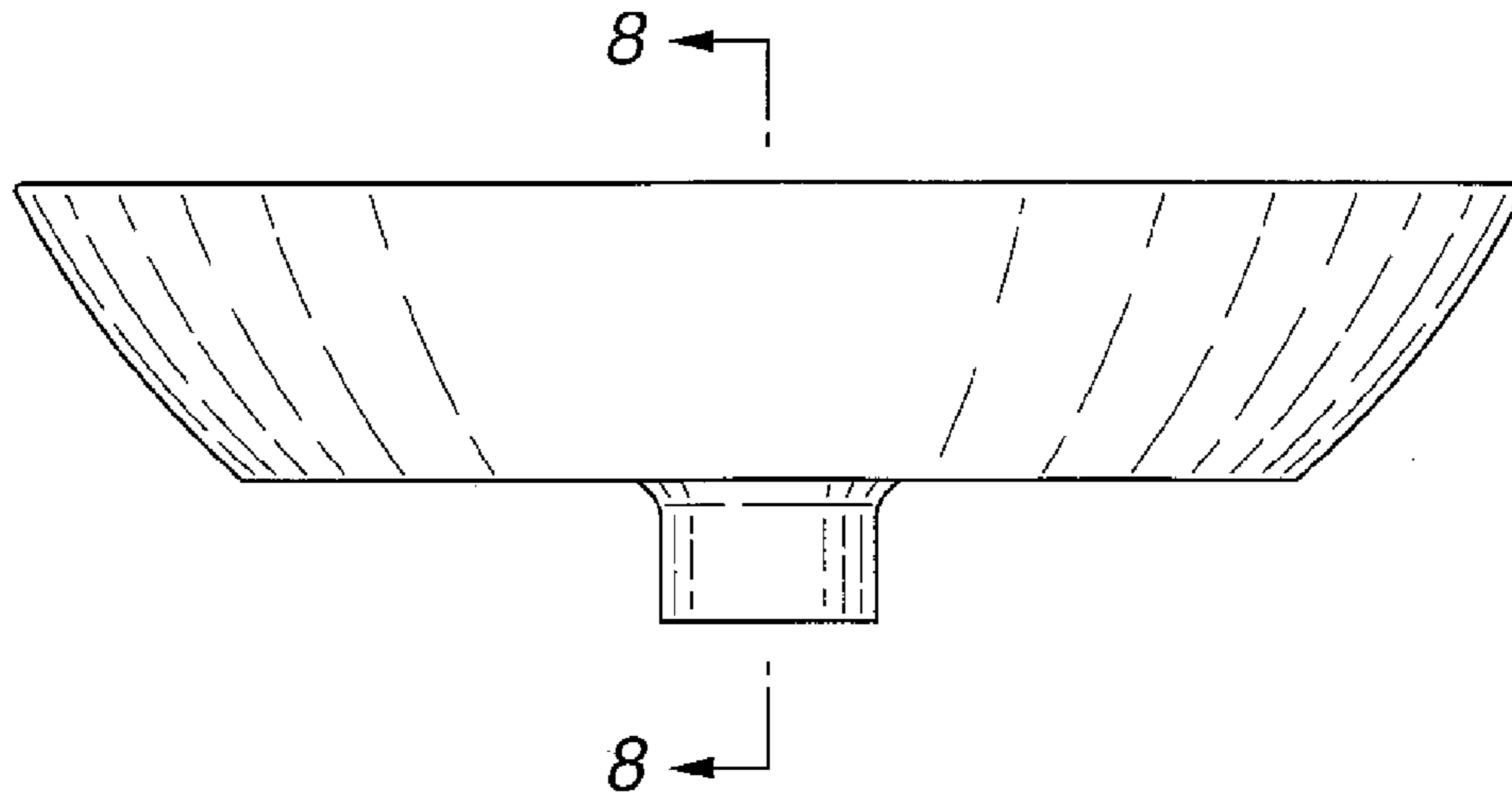


FIG. 3

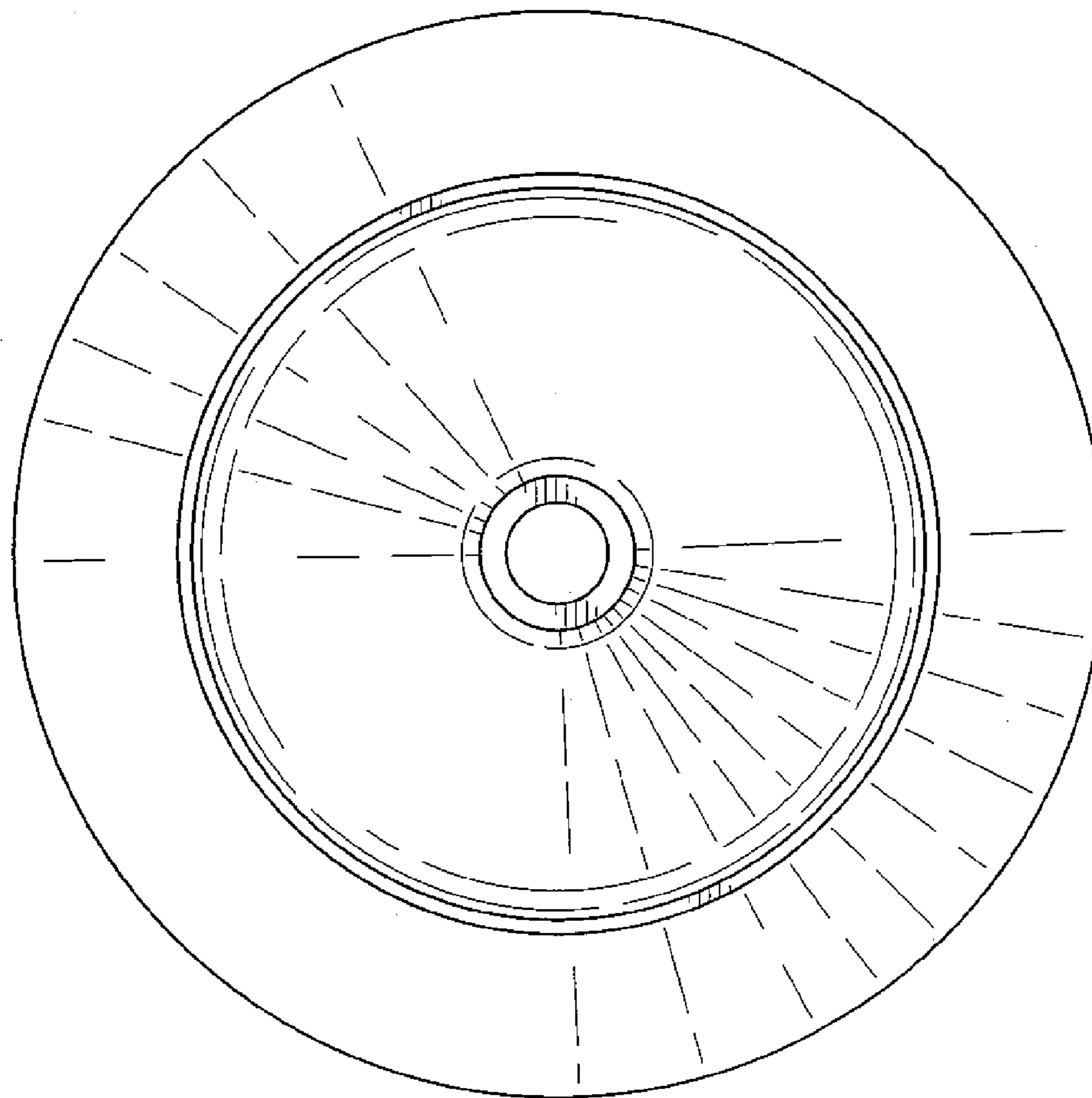


FIG. 4

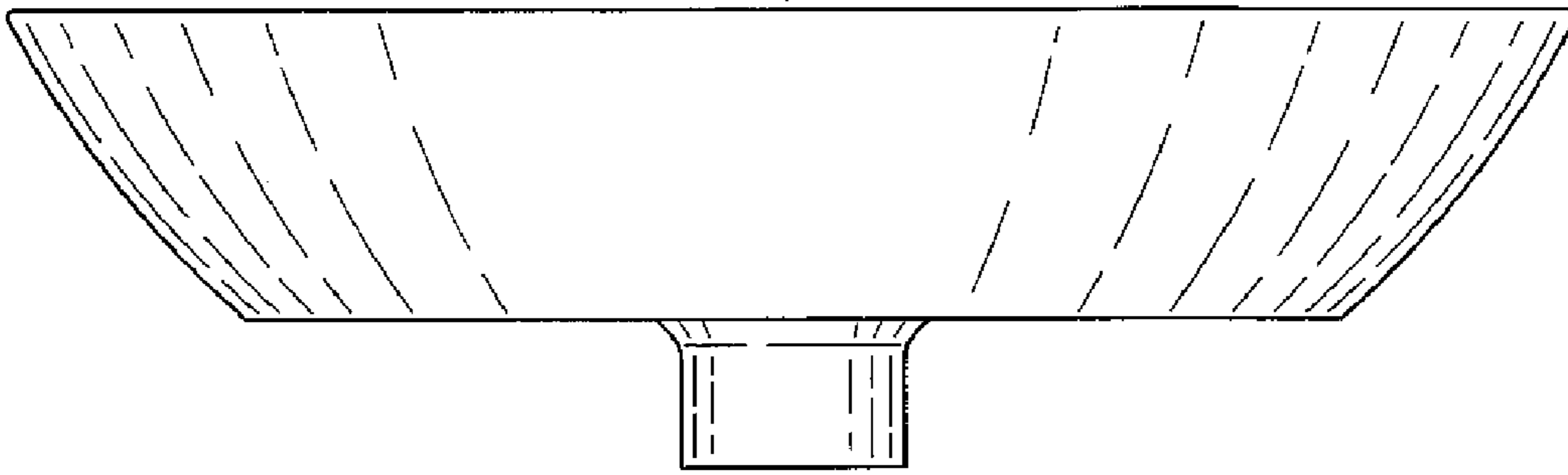


FIG. 5

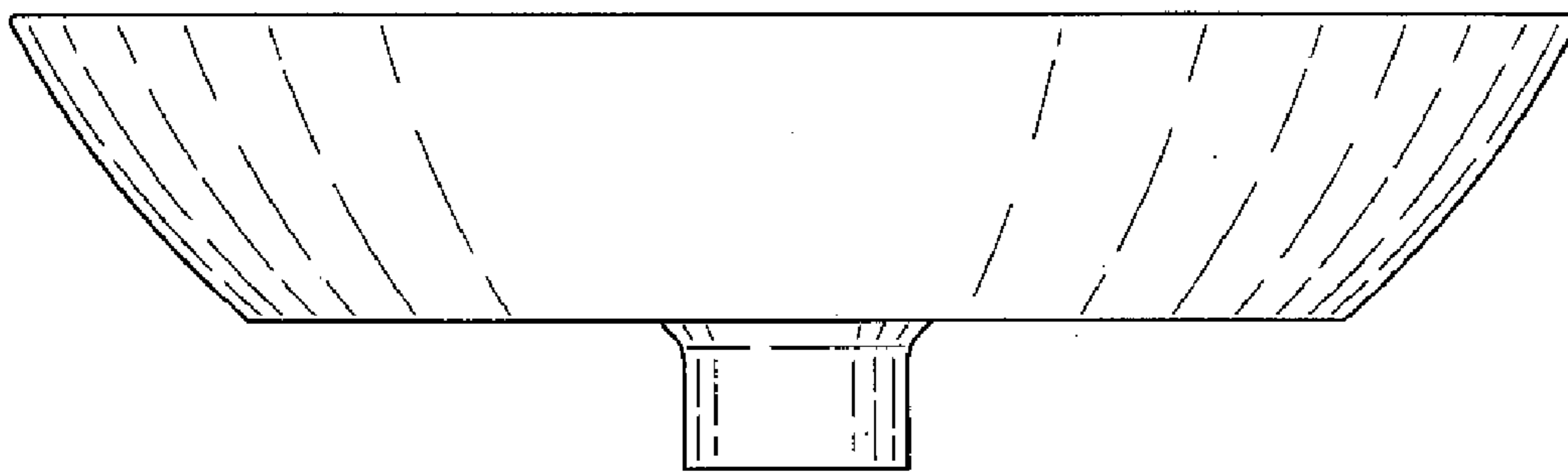


FIG. 6

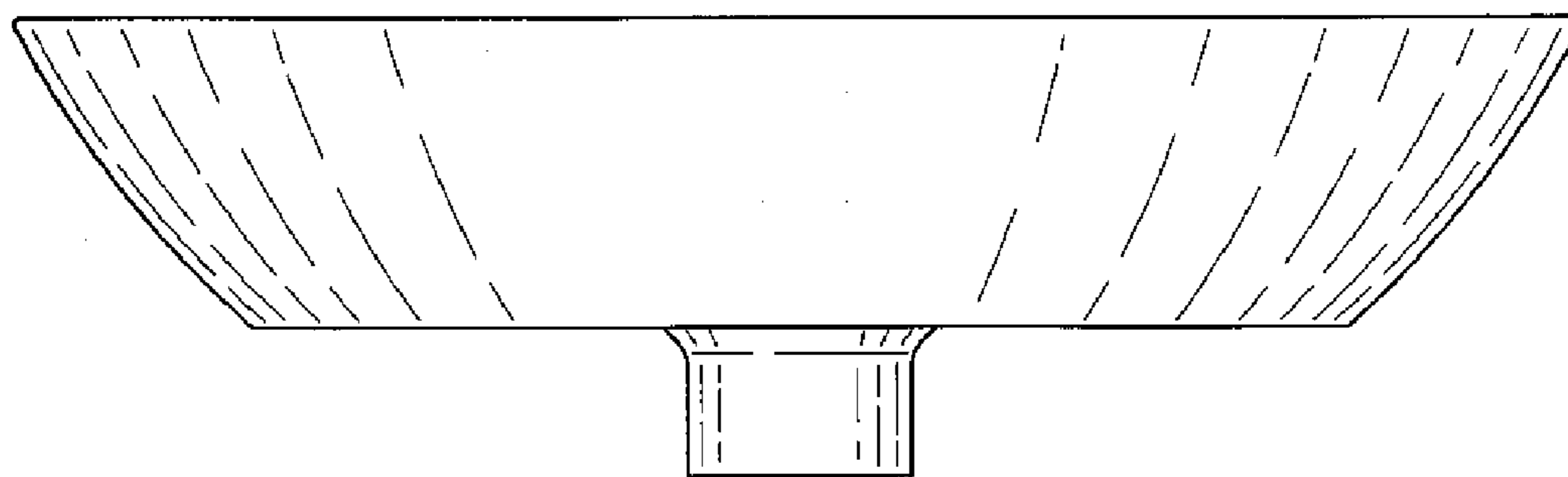


FIG. 7

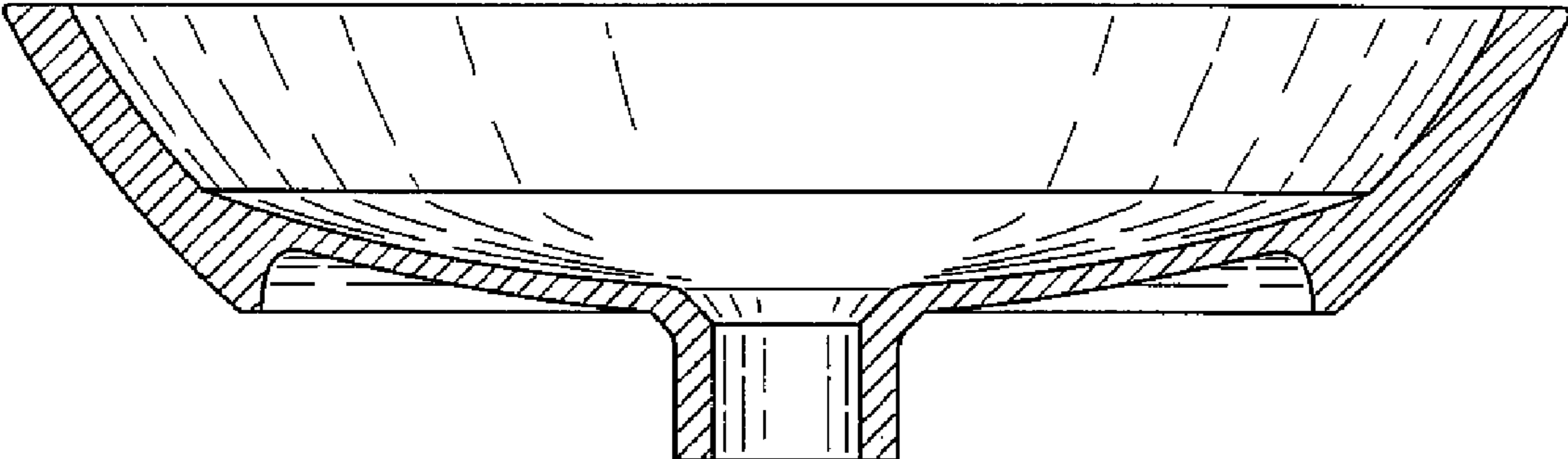


FIG. 8