

US00D598992S

(12) **United States Design Patent**
Aso et al.

(10) **Patent No.:** **US D598,992 S**
(45) **Date of Patent:** **** Aug. 25, 2009**

(54) **LAVATORY**

D431,636 S * 10/2000 O'Connell et al. D23/272
7,000,266 B2 * 2/2006 Piatt et al. 4/619
D587,788 S * 3/2009 Kergoet D23/284

(75) Inventors: **Shigeru Aso**, Buzen (JP); **Masanobu Wano**, Kitakyusyu (JP); **Takeshi Kaneda**, Kitakyusyu (JP)

* cited by examiner

(73) Assignee: **Toto Ltd.**, Kitakyusyu-Shi, Fukuoka (JP)

Primary Examiner—Robert A Delehanty
(74) *Attorney, Agent, or Firm*—Birch, Stewart, Kolasch & Birch, LLP

(**) Term: **14 Years**

(21) Appl. No.: **29/327,940**

(57) **CLAIM**

(22) Filed: **Nov. 14, 2008**

The ornamental design for a lavatory, as shown and described.

(30) **Foreign Application Priority Data**

DESCRIPTION

May 16, 2008 (JP) 2008-012268

FIG. 1 is a perspective view of the top, front and right side of a lavatory showing our new design;

(51) **LOC (9) Cl.** **23-02**

FIG. 2 is a front view thereof;

(52) **U.S. Cl.** **D23/284**

FIG. 3 is a rear view thereof;

(58) **Field of Classification Search** D23/270–274,
D23/284, 285, 291, 293.1, 303, 308, 287,
D23/201; 4/619, 638, 650, 661, 631, 637;
D7/304

FIG. 4 is a top plan view thereof;

FIG. 5 is a bottom view thereof;

See application file for complete search history.

FIG. 6 is a left side view thereof;

FIG. 7 is a right side view thereof; and,

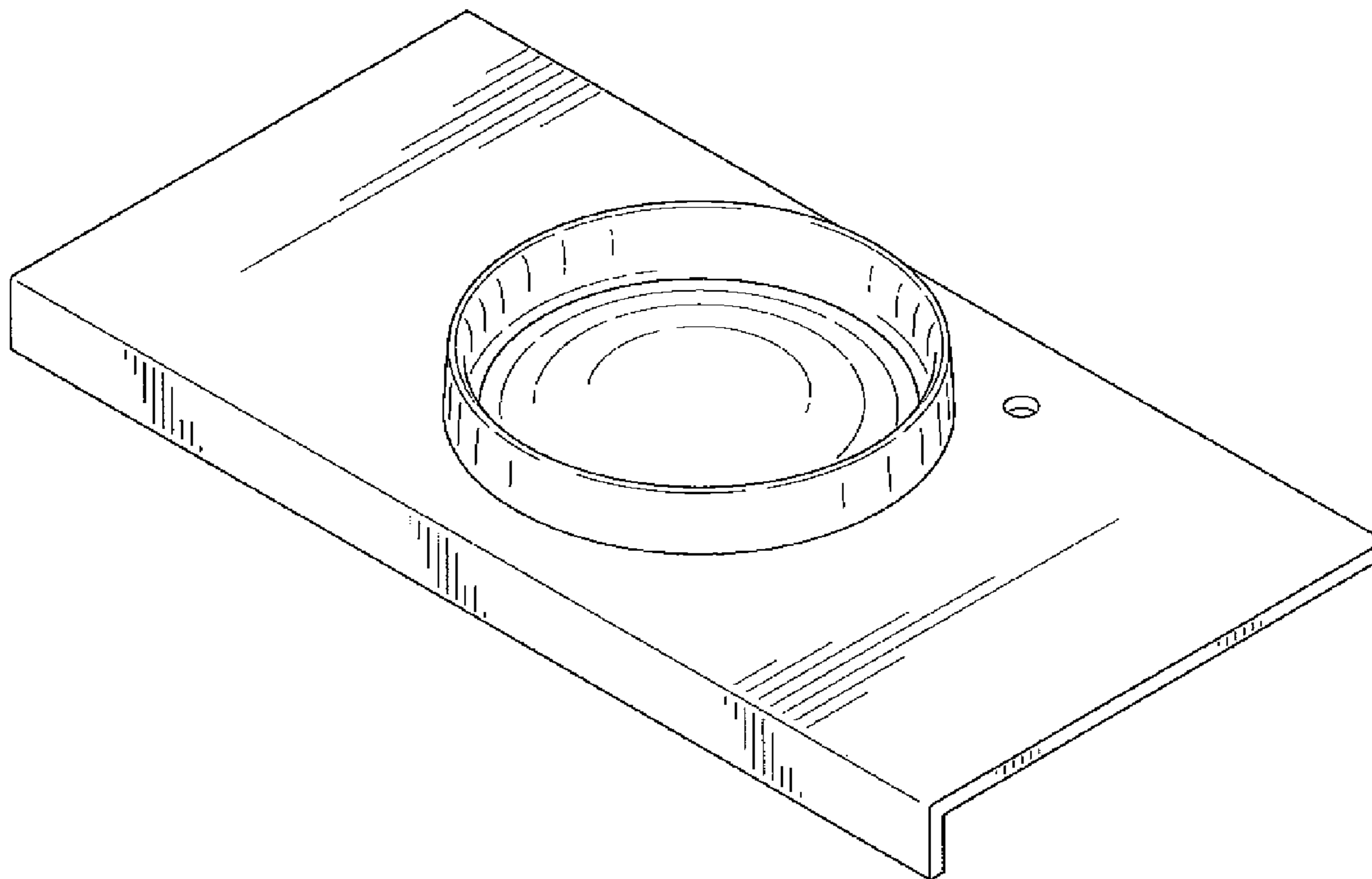
FIG. 8 is a cross sectional view at 8—8 in FIG. 4 thereof.

(56) **References Cited**

U.S. PATENT DOCUMENTS

D162,613 S * 3/1951 Ball et al. D23/271

1 Claim, 4 Drawing Sheets



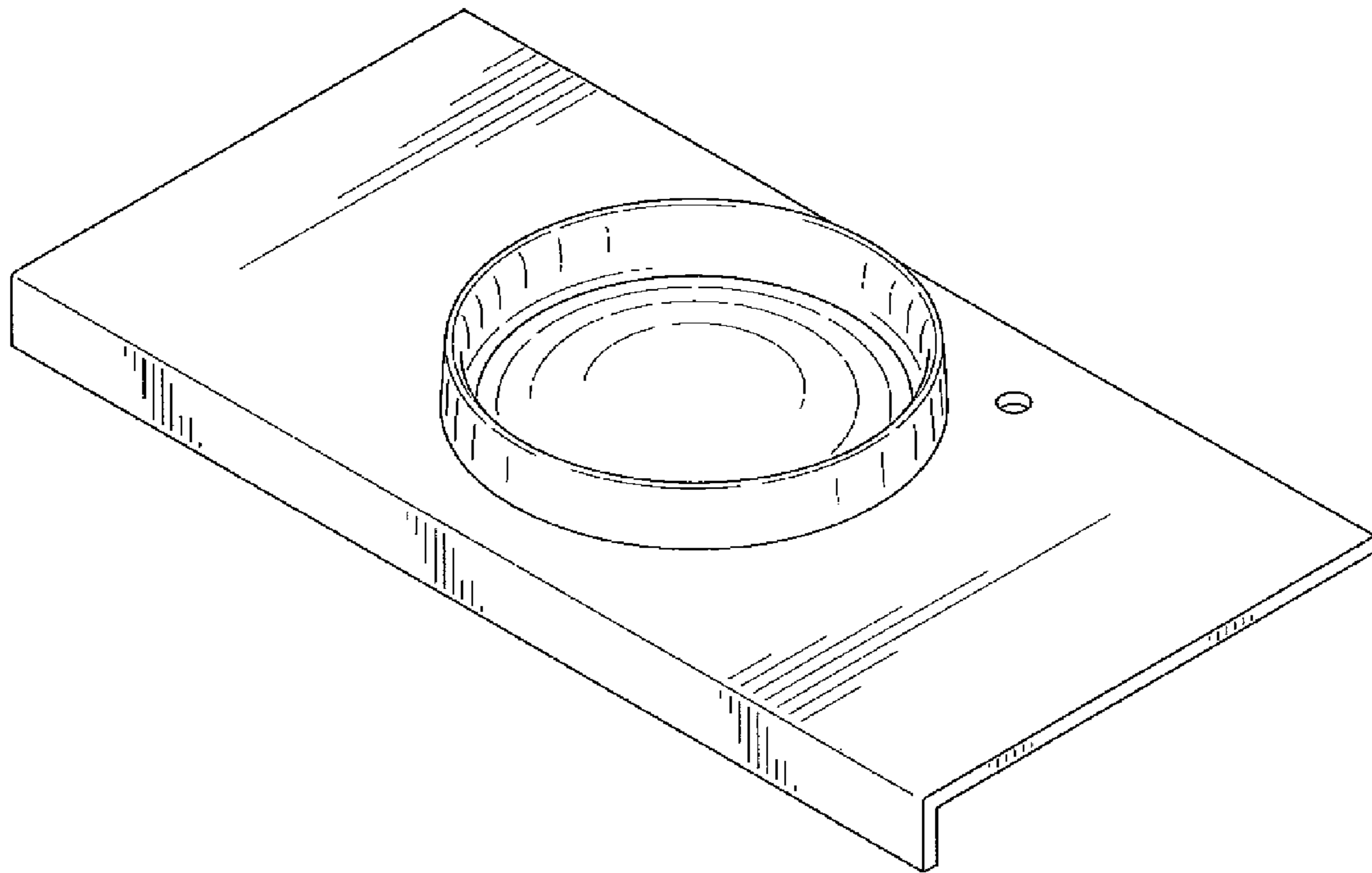


FIG. 1

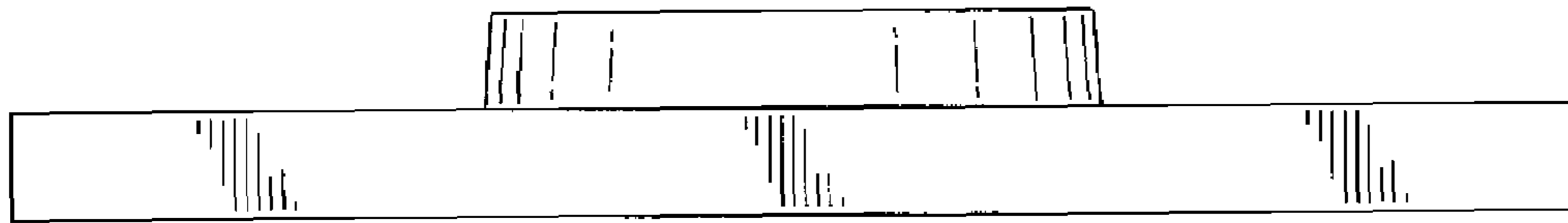


FIG. 2

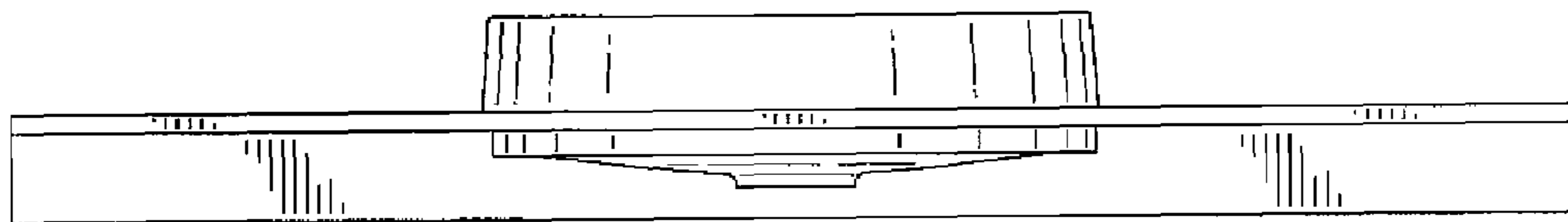


FIG. 3

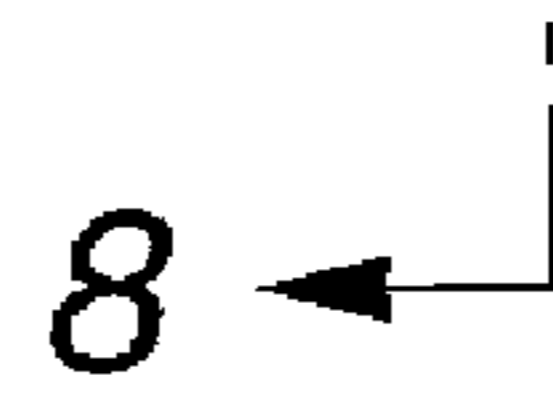
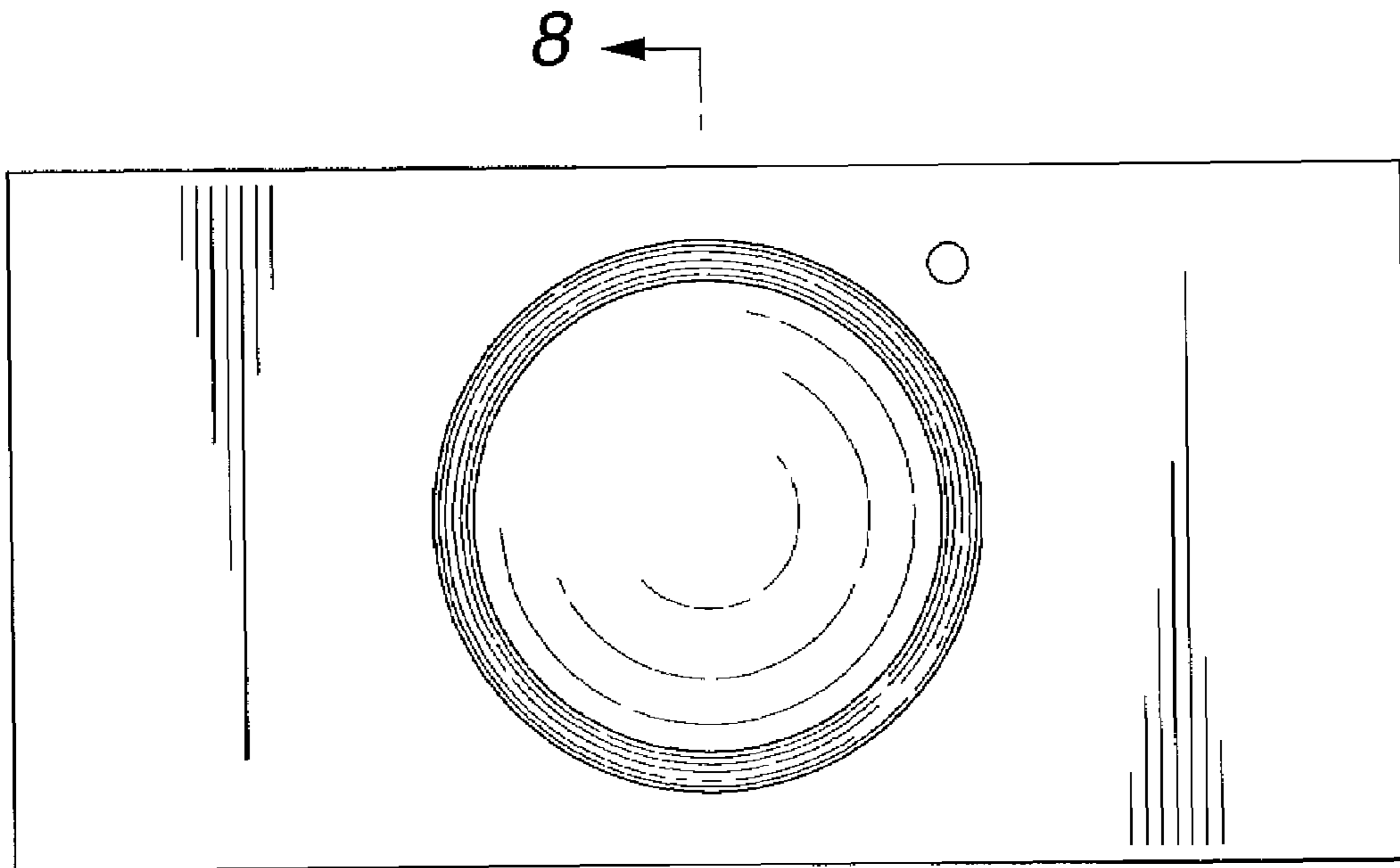


FIG. 4

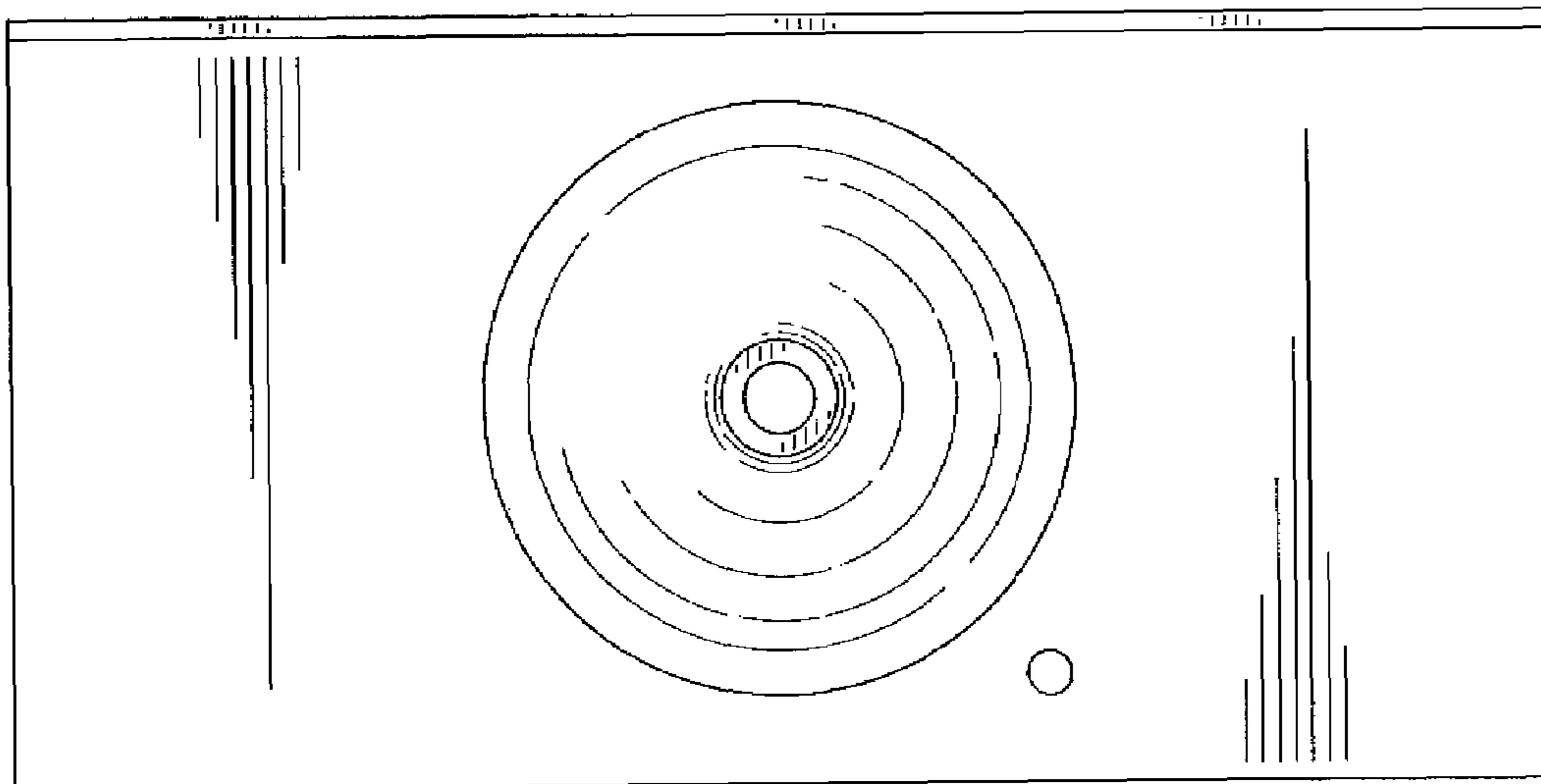


FIG. 5

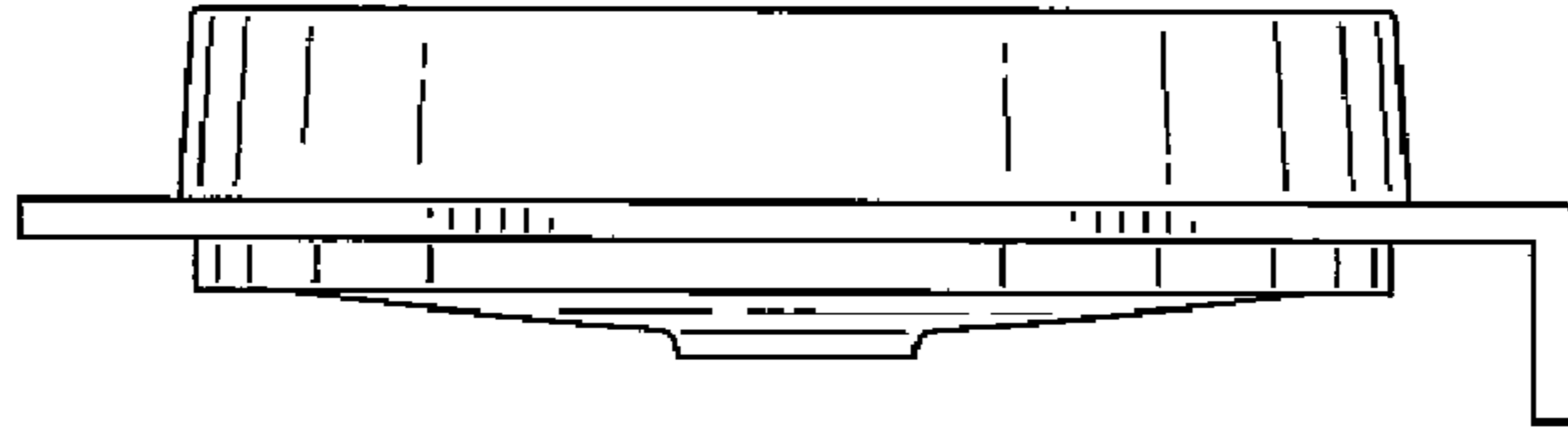


FIG. 6

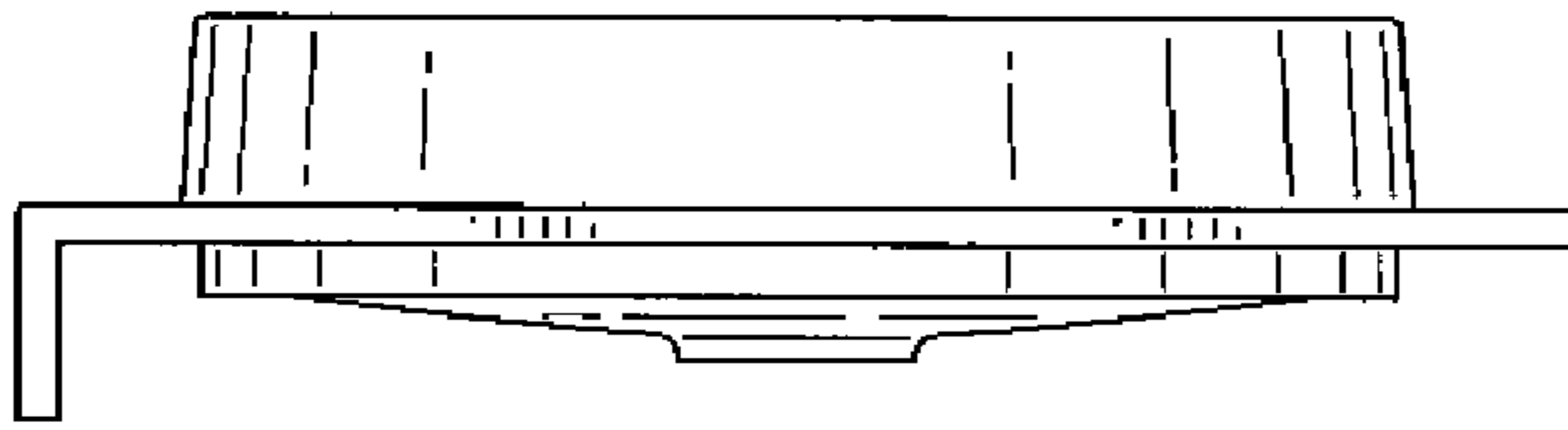


FIG. 7

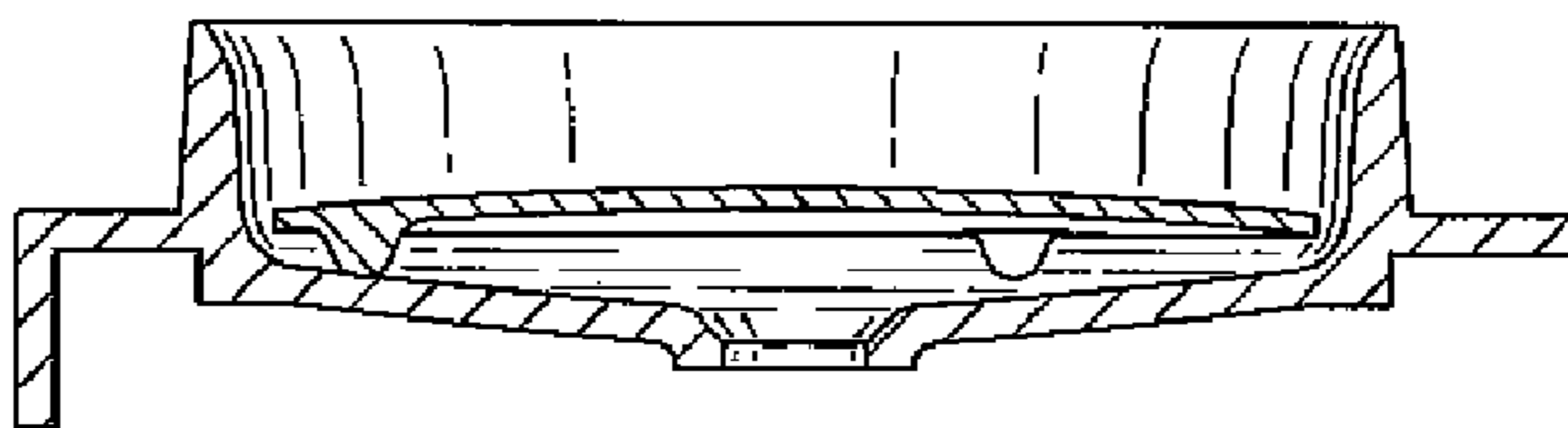


FIG. 8