

US00D598989S

(12) **United States Design Patent**  
**Kakihana et al.**

(10) **Patent No.:** **US D598,989 S**

(45) **Date of Patent:** **\*\* Aug. 25, 2009**

(54) **LAVATORY**

(75) Inventors: **Hajime Kakihana**, Kitakyusyu (JP);  
**James Piatt**, Kitakyusyu (JP); **Rie**  
**Yokoyama**, Kitakyusyu (JP)

(73) Assignee: **Toto Ltd.**, Kitakyusyu-shi (JP)

(\*\*) Term: **14 Years**

(21) Appl. No.: **29/320,517**

(22) Filed: **Jun. 27, 2008**

(51) **LOC (9) Cl.** ..... **23-02**

(52) **U.S. Cl.** ..... **D23/284**

(58) **Field of Classification Search** ..... D23/270-274,  
D23/284, 285, 291, 293.1, 303, 308, 287,  
D23/201; 4/619, 638, 650, 661, 631, 637;  
D7/304

See application file for complete search history.

(56) **References Cited**

**U.S. PATENT DOCUMENTS**

D547,104 S \* 7/2007 Hong ..... D7/304

D560,778 S \* 1/2008 Paterson ..... D23/293.1  
D563,533 S \* 3/2008 Kakihana et al. .... D23/293.1  
D588,244 S \* 3/2009 Lee et al. .... D23/293.1

\* cited by examiner

*Primary Examiner*—Robert A Delehanty

(74) *Attorney, Agent, or Firm*—Birch, Stewart, Kolasch &  
Birch, LLP

(57) **CLAIM**

The ornamental design for a lavatory, as shown and described.

**DESCRIPTION**

FIG. 1 is a perspective view of the top, front and right side of  
a lavatory showing our new design;

FIG. 2 is a front view thereof;

FIG. 3 is a top plan view thereof;

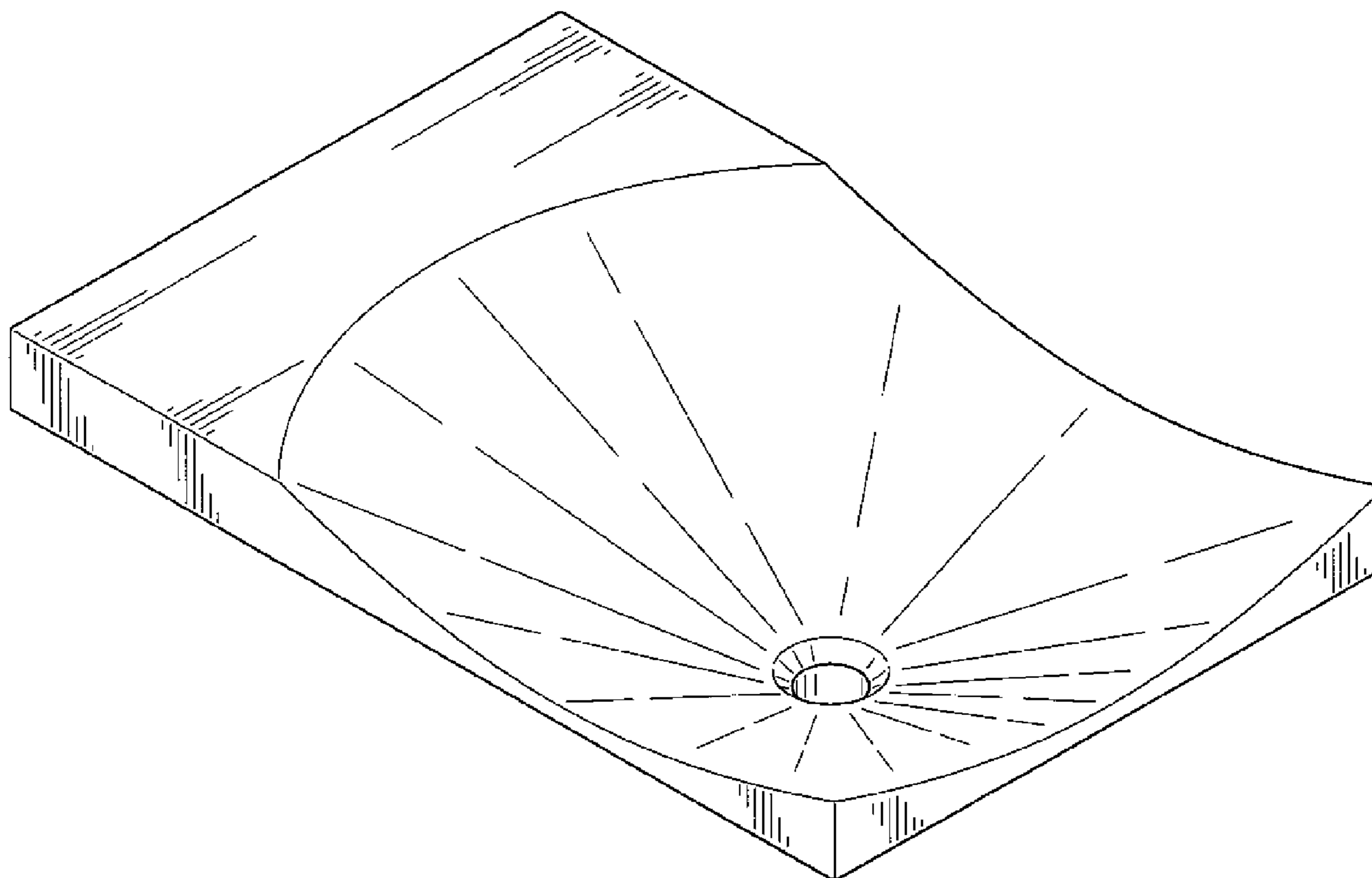
FIG. 4 is a bottom view thereof;

FIG. 5 is a rear view thereof;

FIG. 6 is a left side view thereof; and,

FIG. 7 is a right side view thereof.

**1 Claim, 3 Drawing Sheets**



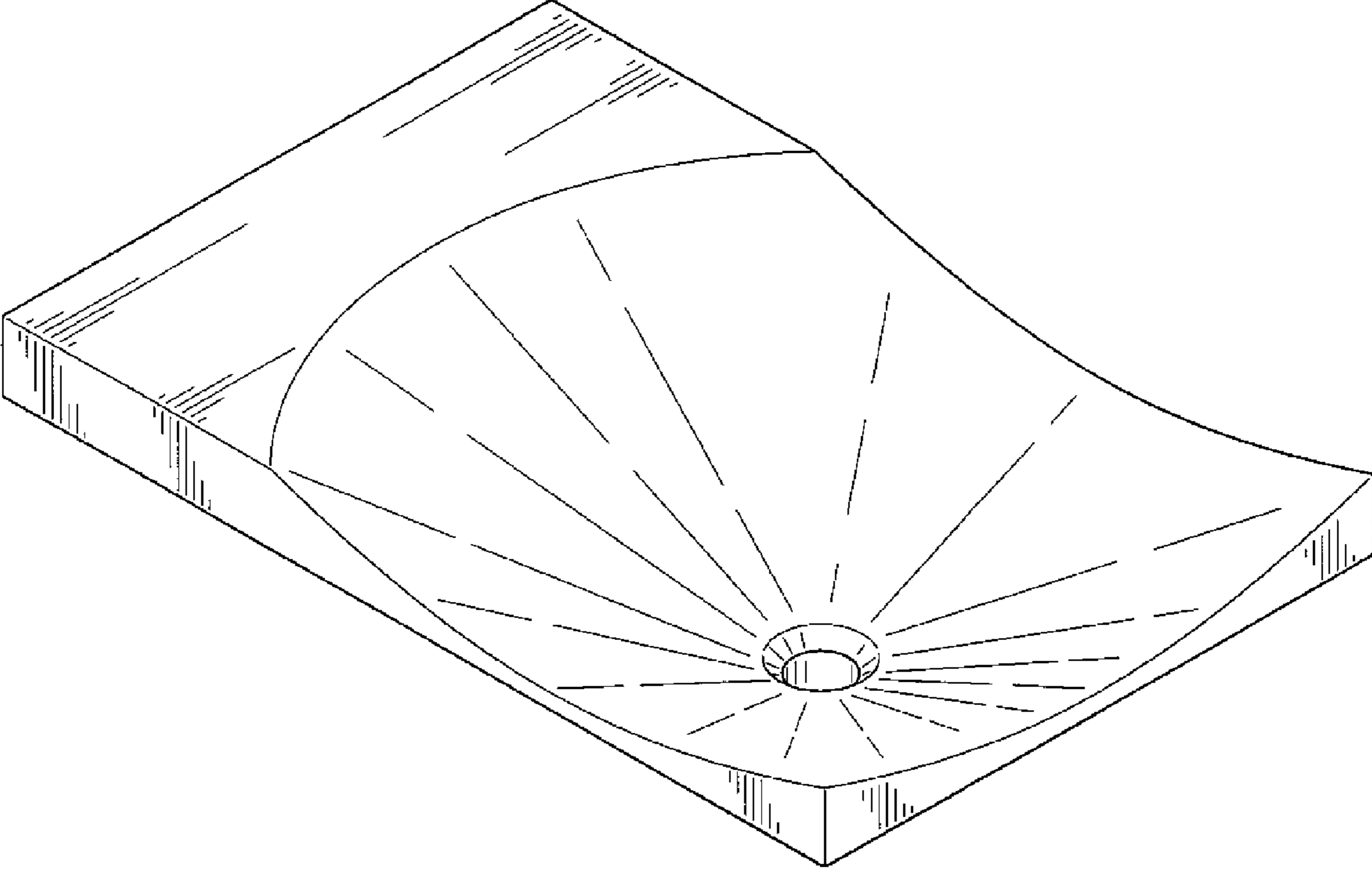


FIG. 1

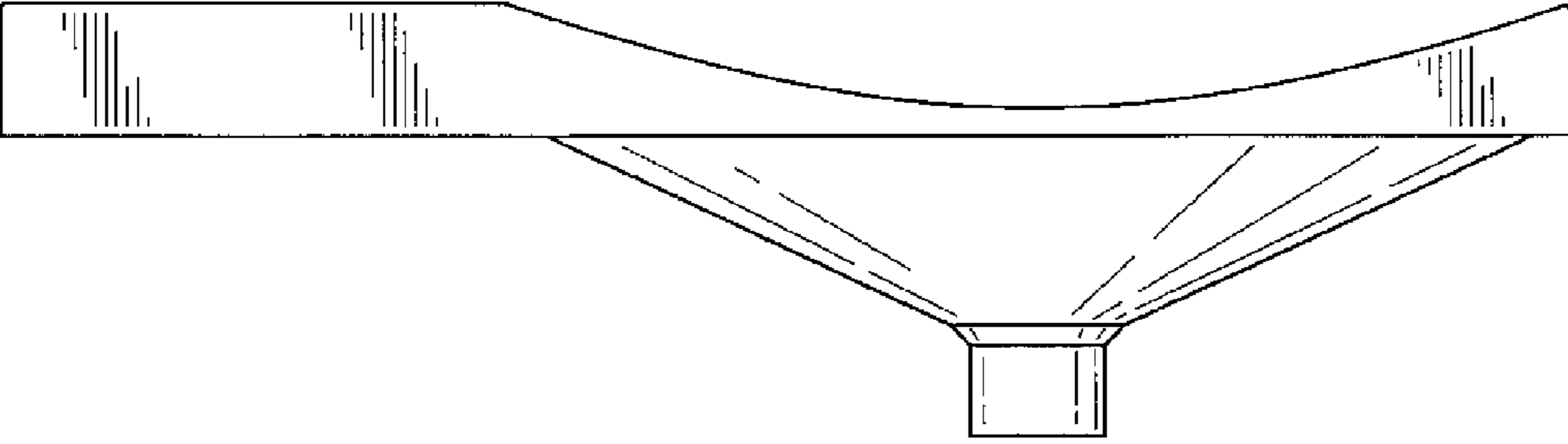
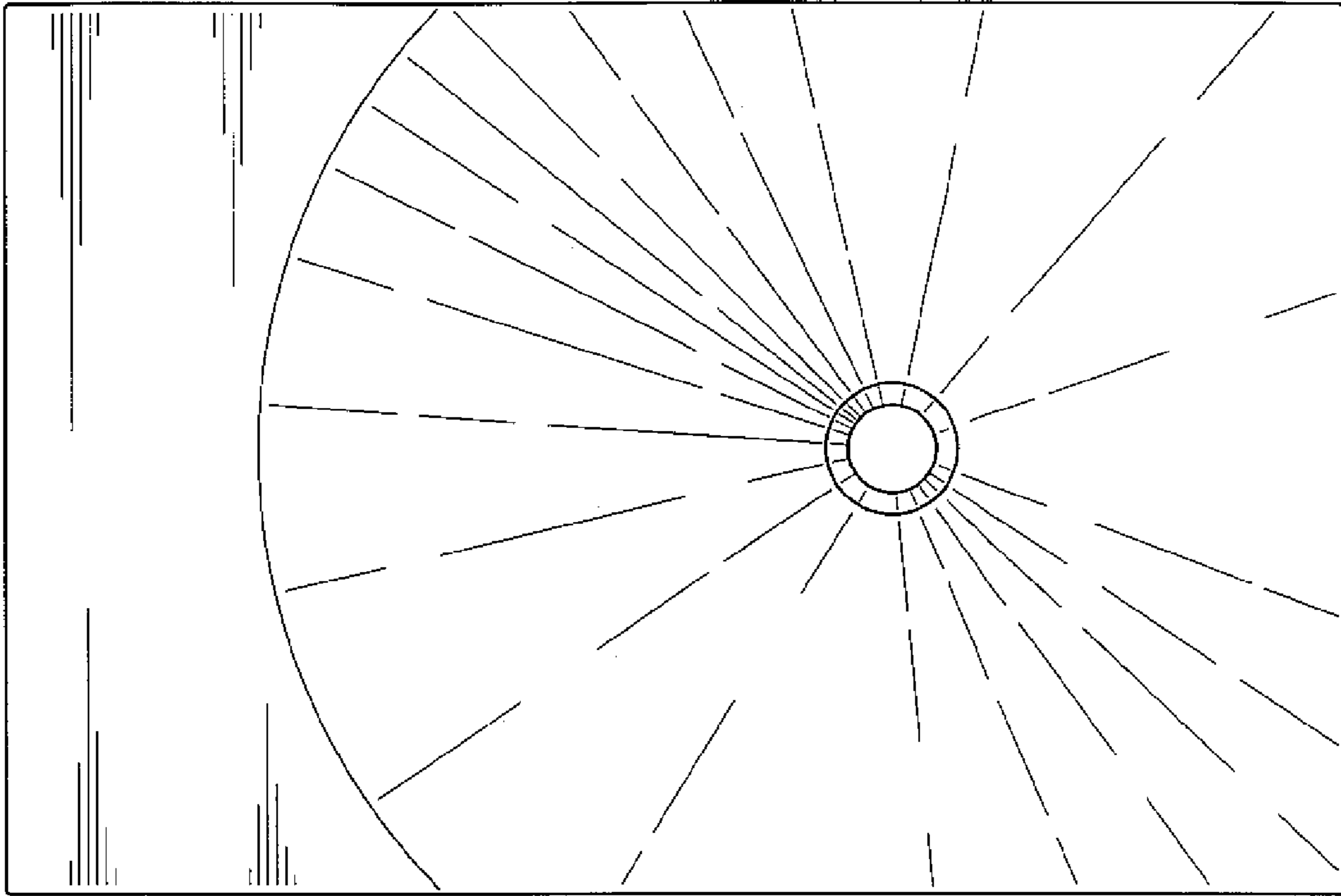
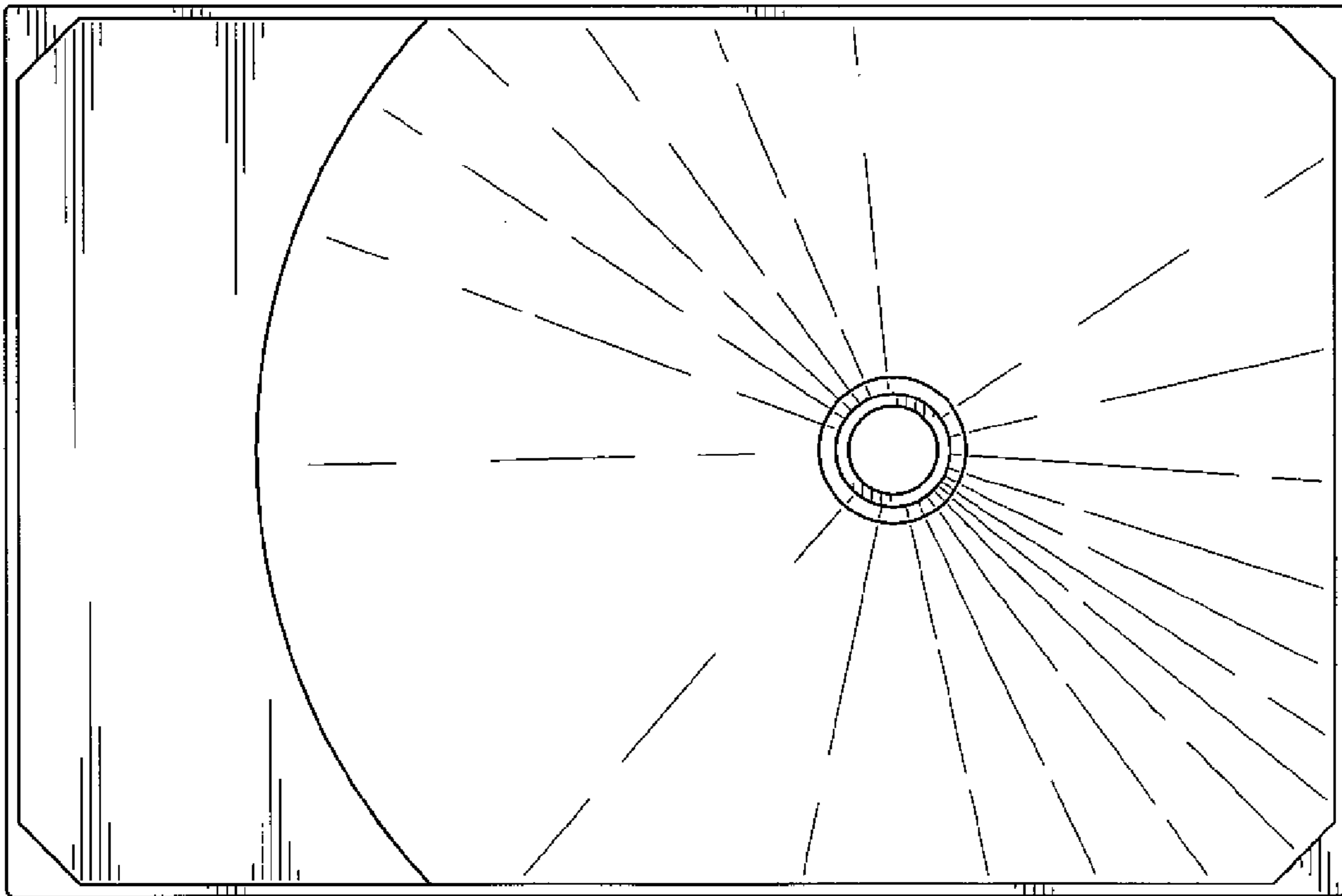


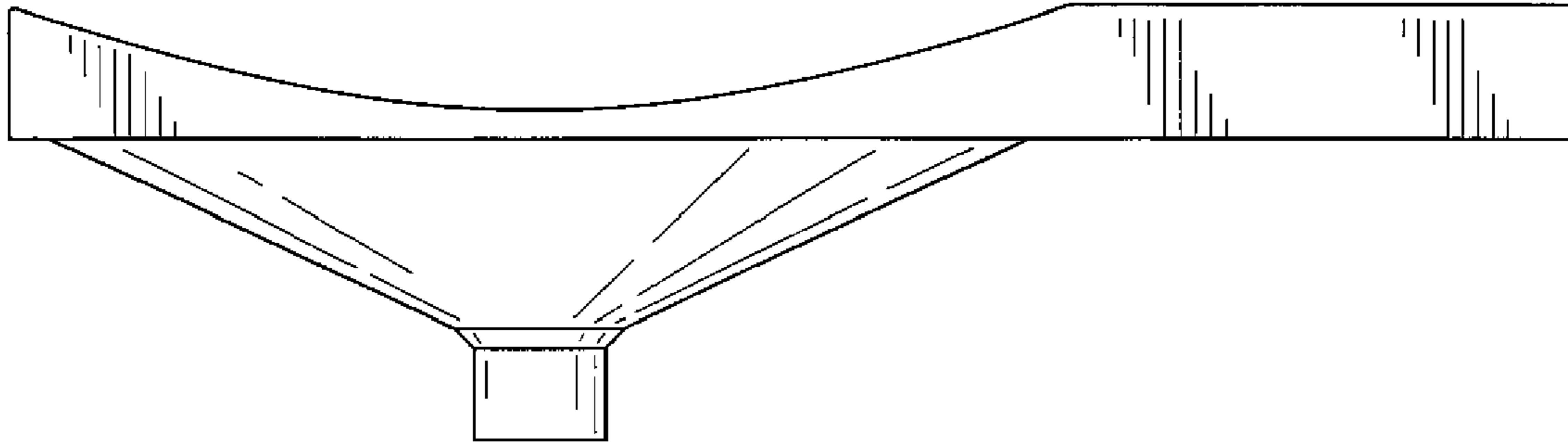
FIG. 2



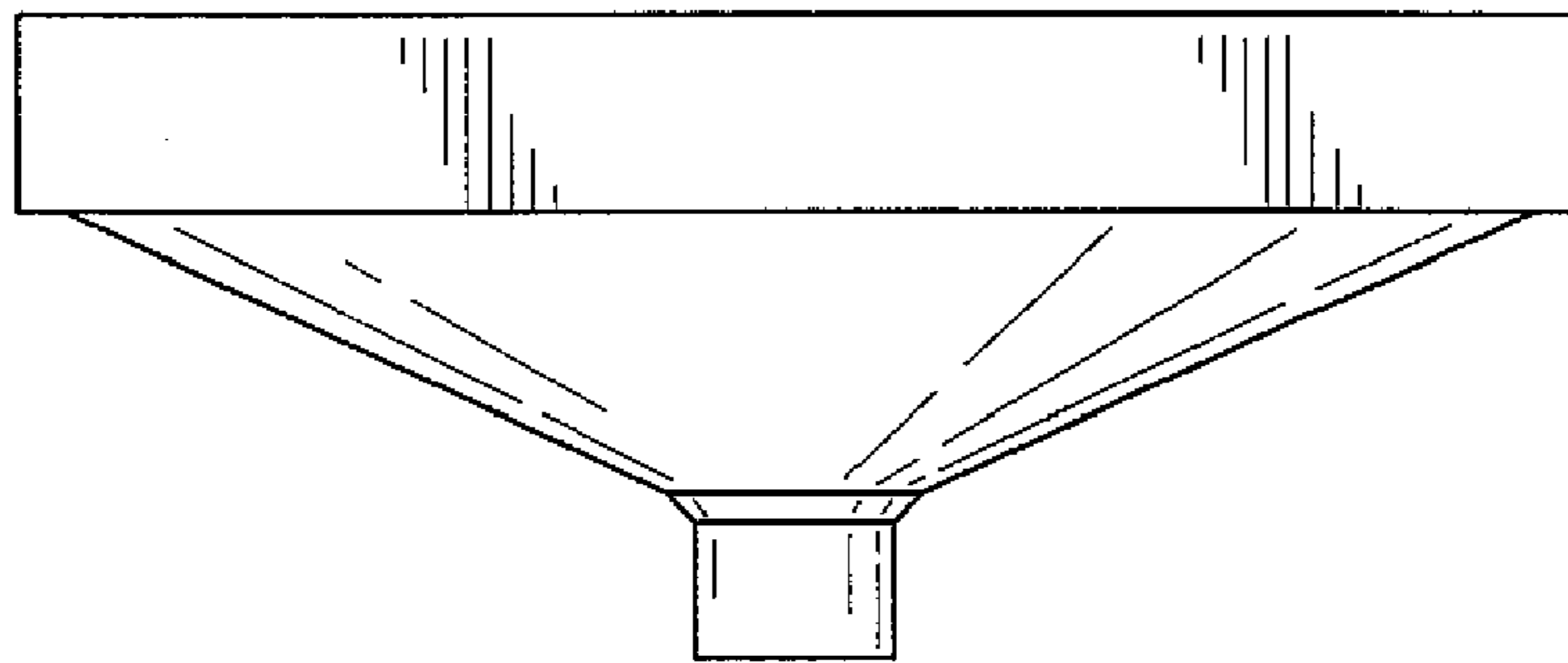
*FIG. 3*



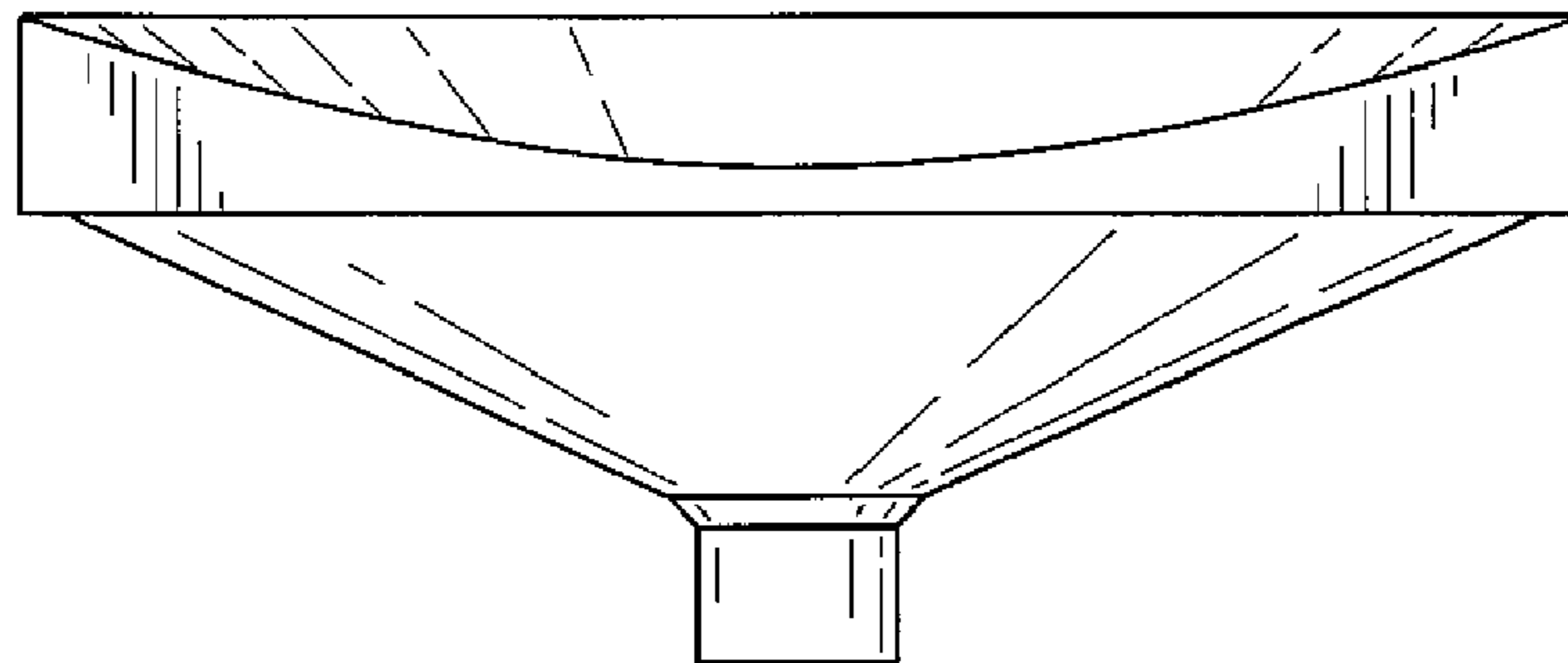
*FIG. 4*



*FIG. 5*



*FIG. 6*



*FIG. 7*