



US00D598988S

(12) **United States Design Patent**  
**Jaccoby et al.**

(10) **Patent No.:** **US D598,988 S**

(45) **Date of Patent:** **\*\* Aug. 25, 2009**

(54) **GASKET**

(75) Inventors: **Gaby Jaccoby**, Carmiel (IL); **Yoel Hadar**, Kiryat Shmona (IL)

(73) Assignee: **Habonim Industrial Valves & Actuators Ltd.**, D. N. Galil Elion (IL)

(\*\*) Term: **14 Years**

(21) Appl. No.: **29/300,244**

(22) Filed: **Mar. 5, 2008**

(30) **Foreign Application Priority Data**

Dec. 20, 2007 (IL) ..... 4529

(51) **LOC (9) Cl.** ..... **23-01**

(52) **U.S. Cl.** ..... **D23/269**

(58) **Field of Classification Search** ..... D23/259-269;  
277/602, 608, 625, 626, 910; 285/105, 232,  
285/337, 370, 95

See application file for complete search history.

(56) **References Cited**

**U.S. PATENT DOCUMENTS**

D196,724 S \* 10/1963 Davis ..... D24/129  
3,276,792 A \* 10/1966 Dunton ..... 285/109

D372,765 S \* 8/1996 Sisk ..... D23/269  
6,769,697 B1 \* 8/2004 Ishikawa et al. .... 277/612  
6,905,125 B2 \* 6/2005 Shibata et al. .... 277/626  
D563,531 S \* 3/2008 Katsura et al. .... D23/269  
D571,440 S \* 6/2008 Kanao ..... D23/262  
D572,348 S \* 7/2008 Arosio ..... D23/269  
2004/0145123 A1 \* 7/2004 Hystad ..... 277/608  
2008/0054574 A1 \* 3/2008 McGarvey ..... 277/608

\* cited by examiner

*Primary Examiner*—T. Chase Nelson

*Assistant Examiner*—Eric L Goodman

(74) *Attorney, Agent, or Firm*—The Nath Law Group; Derek Richmond; Sungyeop Chung

(57) **CLAIM**

The ornamental design for a gasket, as shown and described.

**DESCRIPTION**

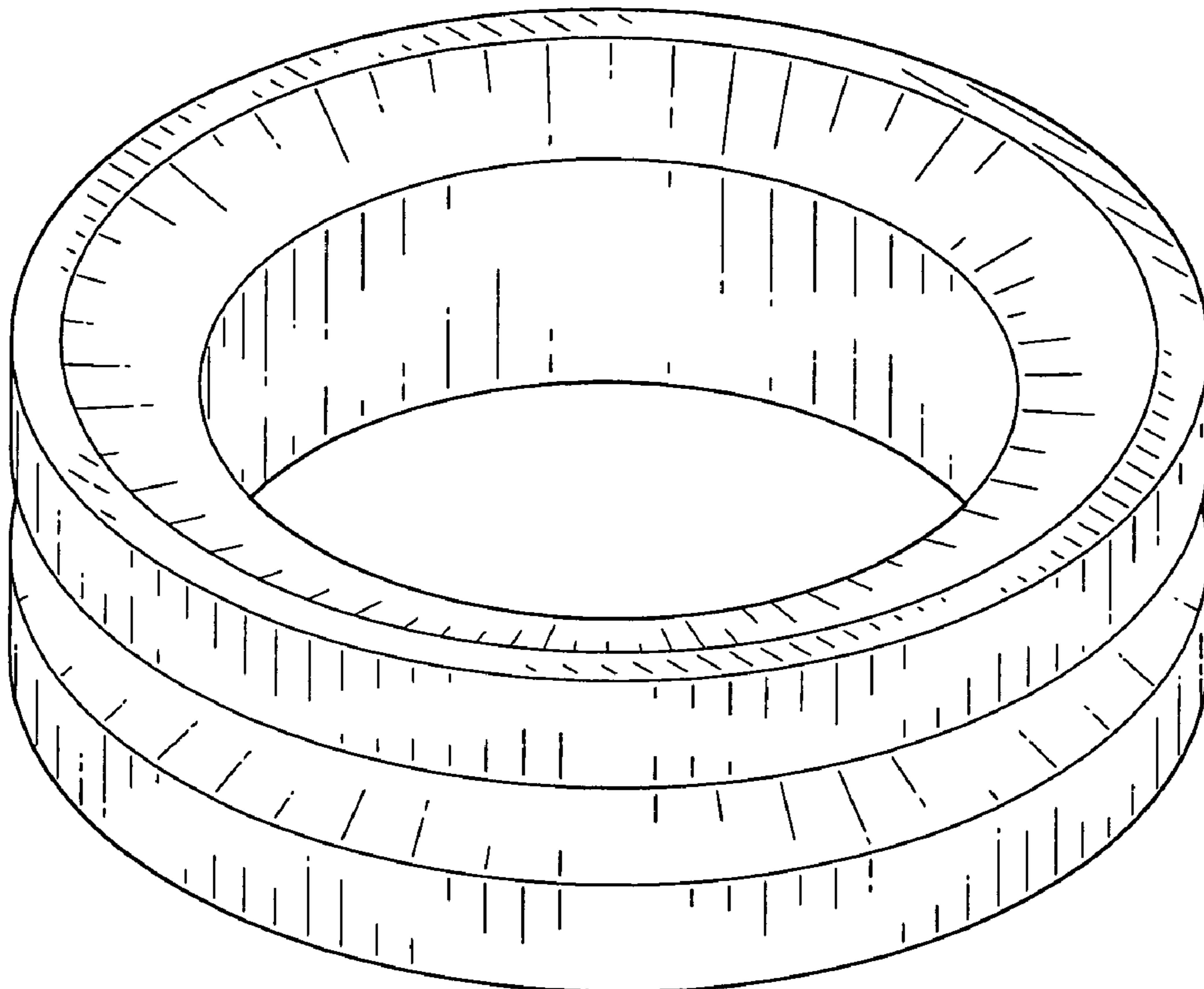
FIG. 1 is a front view of the gasket;

FIG. 2 is an isometric view of the gasket as seen in FIG. 1;

FIG. 3 is a top view of the gasket, as seen in FIG. 1, the other side being a mirror image thereof; and,

FIG. 4 is a sectional view of the gasket along line 4—4 as seen in FIG. 3.

**1 Claim, 4 Drawing Sheets**



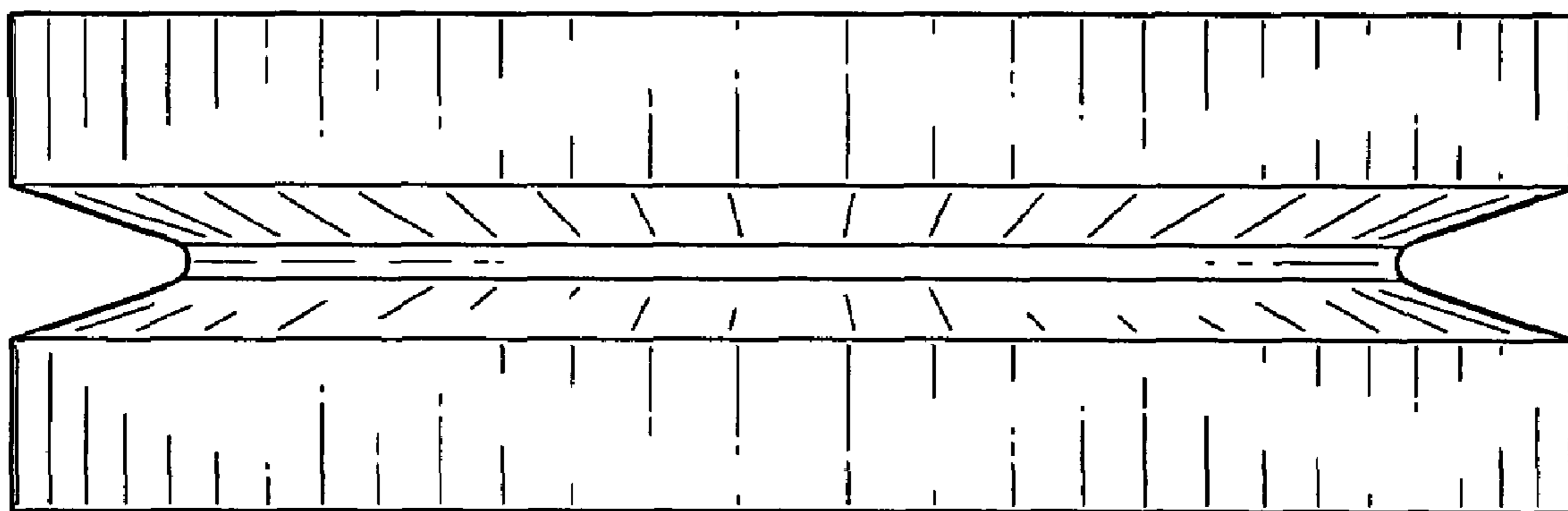


FIG.1

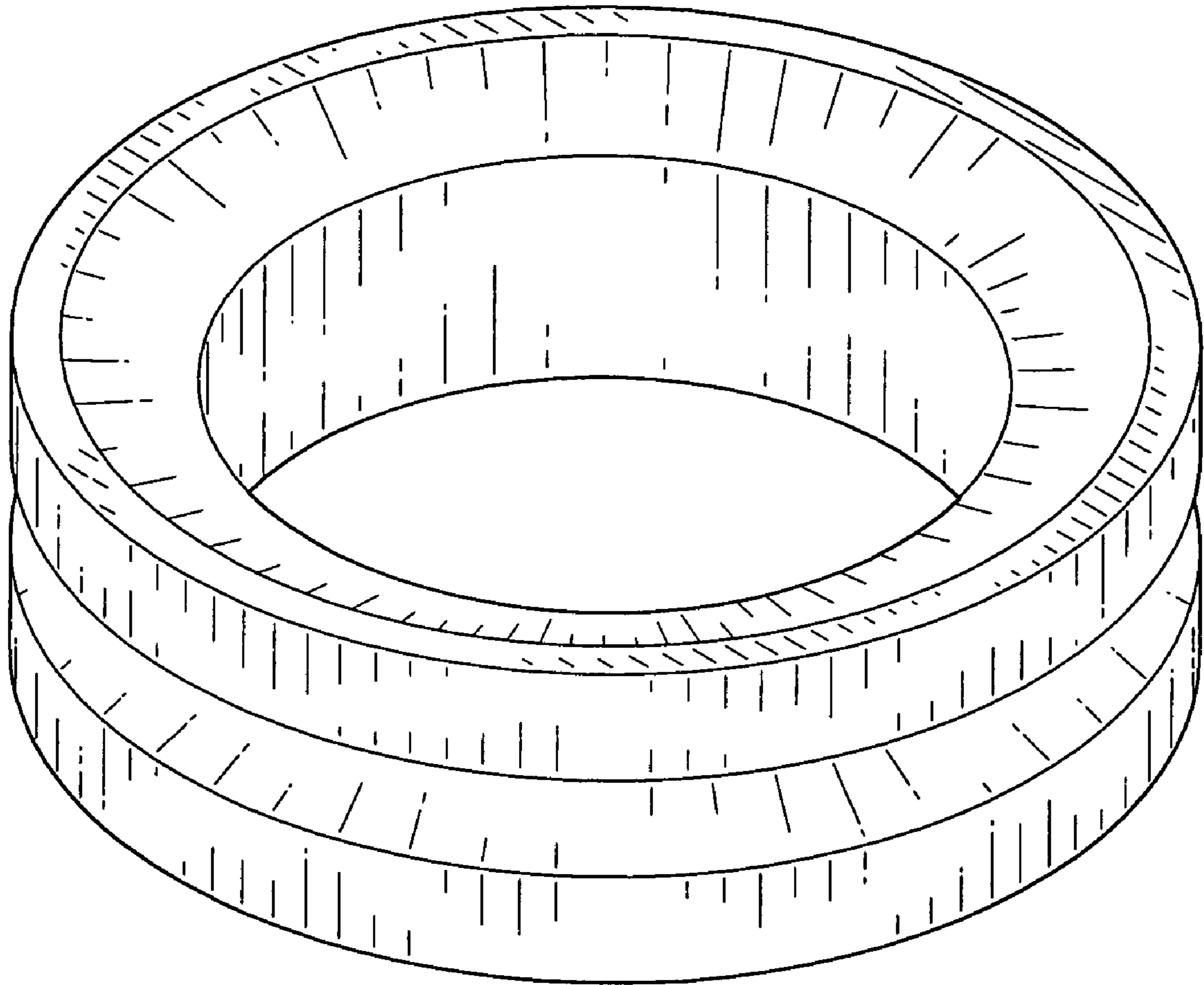


FIG.2

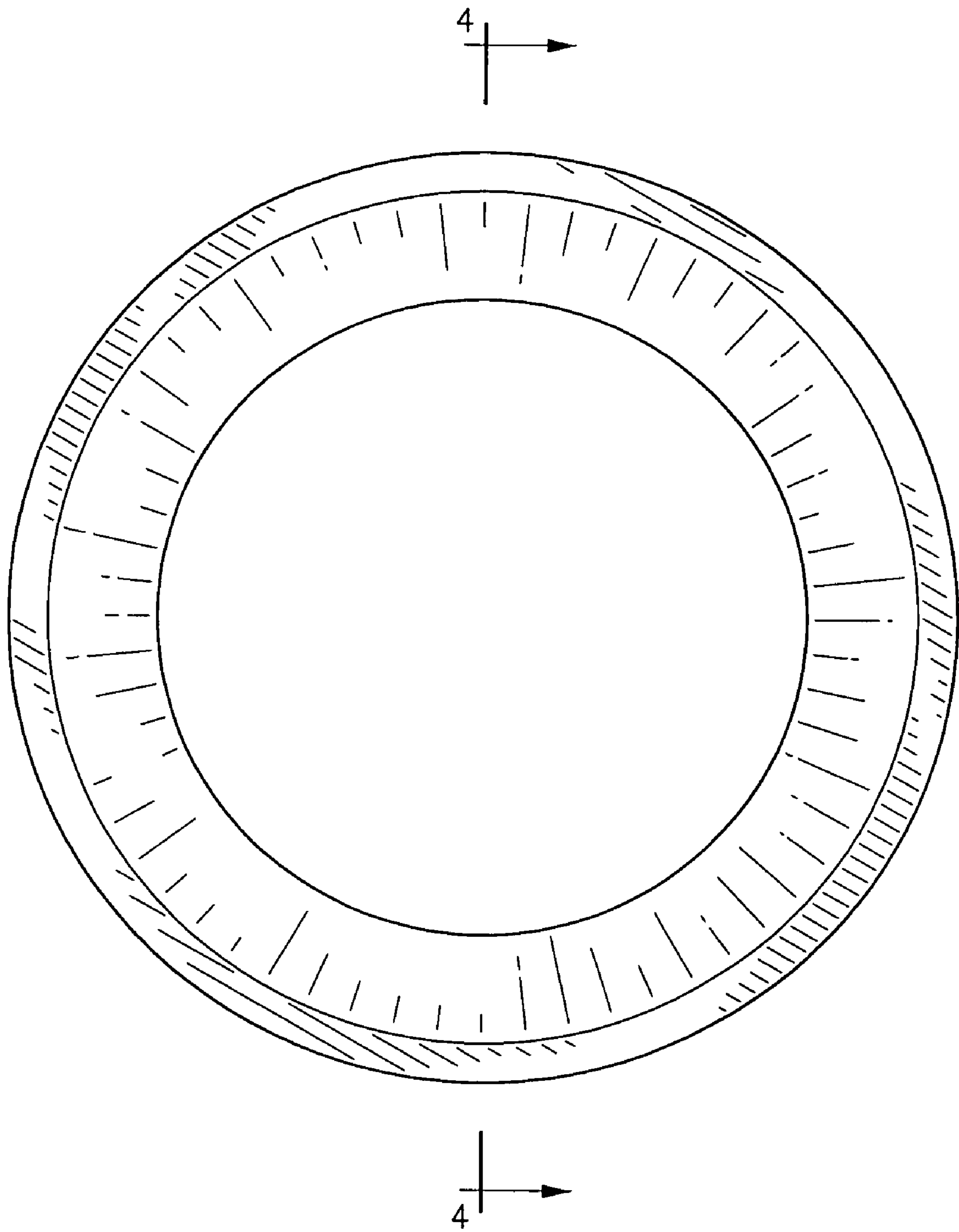


FIG. 3

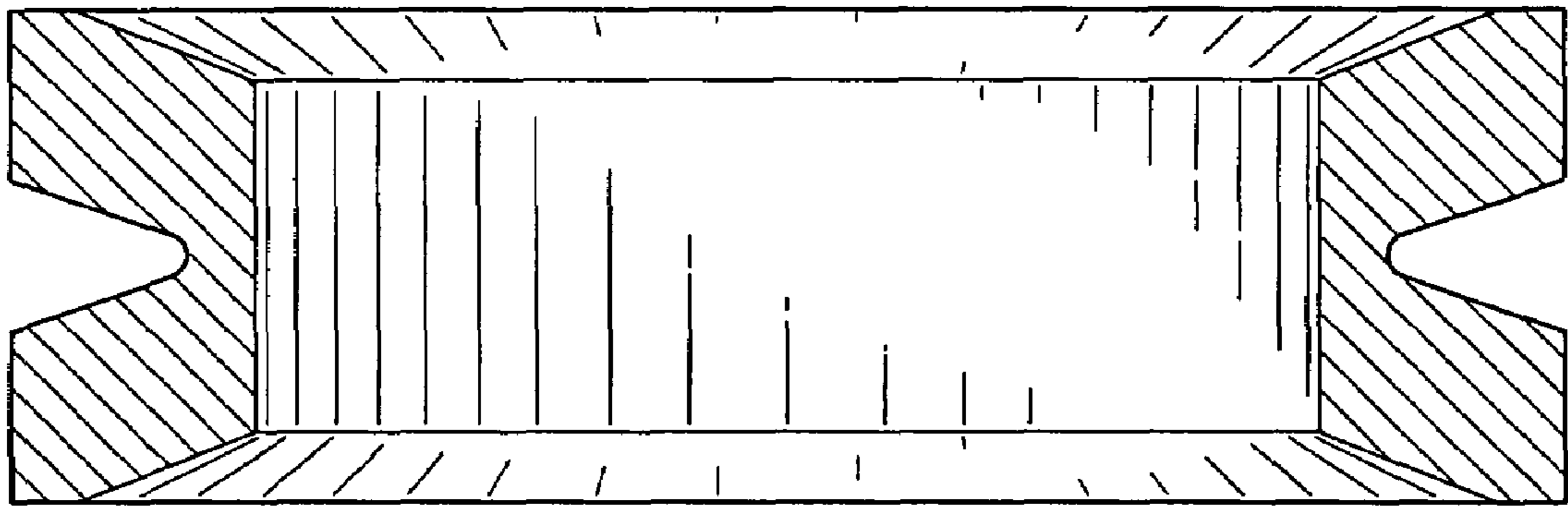


FIG.4

UNITED STATES PATENT AND TRADEMARK OFFICE  
**CERTIFICATE OF CORRECTION**

PATENT NO. : Des. 598,988 S  
APPLICATION NO. : 29/300244  
DATED : August 25, 2009  
INVENTOR(S) : Jaccoby et al.

Page 1 of 1

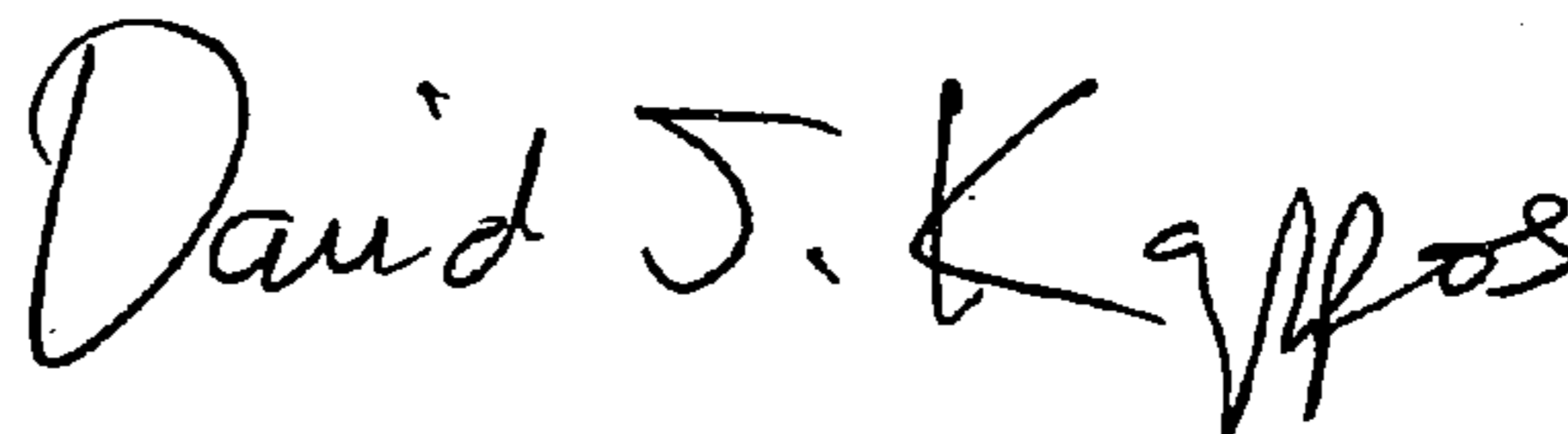
It is certified that error appears in the above-identified patent and that said Letters Patent is hereby corrected as shown below:

Face Page of the Patent Item (30)

Please correct the Foreign Application Priority Data by deleting "4529"  
and replace with -- 45249 --

Signed and Sealed this

Twenty-ninth Day of December, 2009



David J. Kappos  
*Director of the United States Patent and Trademark Office*