



US00D598987S

(12) **United States Design Patent**  
**McAlpine**

(10) **Patent No.:** **US D598,987 S**

(45) **Date of Patent:** **\*\* Aug. 25, 2009**

(54) **PLUMBING FIXTURE**

(76) **Inventor:** **James Edward McAlpine**, 2 Stanley Avenue, Paisley (GB) PA2 9LA

(\*\*) **Term:** **14 Years**

(21) **Appl. No.:** **29/324,692**

(22) **Filed:** **Sep. 18, 2008**

(30) **Foreign Application Priority Data**

Mar. 18, 2008 (EM) ..... 000899166-0004

(51) **LOC (9) Cl.** ..... **23-01**

(52) **U.S. Cl.** ..... **D23/268**

(58) **Field of Classification Search** ..... D23/259-269;  
4/286, 679, 681, 695, DIG. 13, DIG. 16;  
52/12, 302.7; 285/42; 210/163  
See application file for complete search history.

(56) **References Cited**

**U.S. PATENT DOCUMENTS**

1,348,945	A *	8/1920	Hirshstein	.....	210/166
1,434,254	A *	10/1922	Sanders	.....	210/163
1,690,630	A *	11/1928	Fleming	.....	210/166
1,809,549	A *	6/1931	Erskine et al.	.....	285/42
1,918,509	A *	7/1933	Wilcox	.....	210/166
2,079,269	A *	5/1937	Williams	.....	138/32
2,142,343	A *	1/1939	Boosey	.....	210/166
2,283,160	A *	5/1942	Boosey	.....	210/163
2,740,490	A *	4/1956	Matheis	.....	210/166
3,935,878	A *	2/1976	Ostevik	.....	137/334

5,722,791	A *	3/1998	Dallmer	.....	405/52
5,735,091	A *	4/1998	Hawkins et al.	.....	52/302.7
5,771,507	A *	6/1998	Healy et al.	.....	4/680
D460,810	S *	7/2002	Sommerhein	.....	D23/261
6,594,966	B2 *	7/2003	Froeter	.....	52/302.1
6,880,179	B2 *	4/2005	Wang	.....	4/295
6,953,208	B2 *	10/2005	Warnecke	.....	285/42
D578,619	S *	10/2008	Rattenbury	.....	D23/261
2003/0159384	A1 *	8/2003	Warnecke	.....	52/302.1
2008/0222800	A1 *	9/2008	Warnecke	.....	4/695

\* cited by examiner

*Primary Examiner*—T. Chase Nelson  
*Assistant Examiner*—Eric L Goodman

(74) *Attorney, Agent, or Firm*—Stephen M. Nipper; Dykas, Shaver & Nipper, LLP

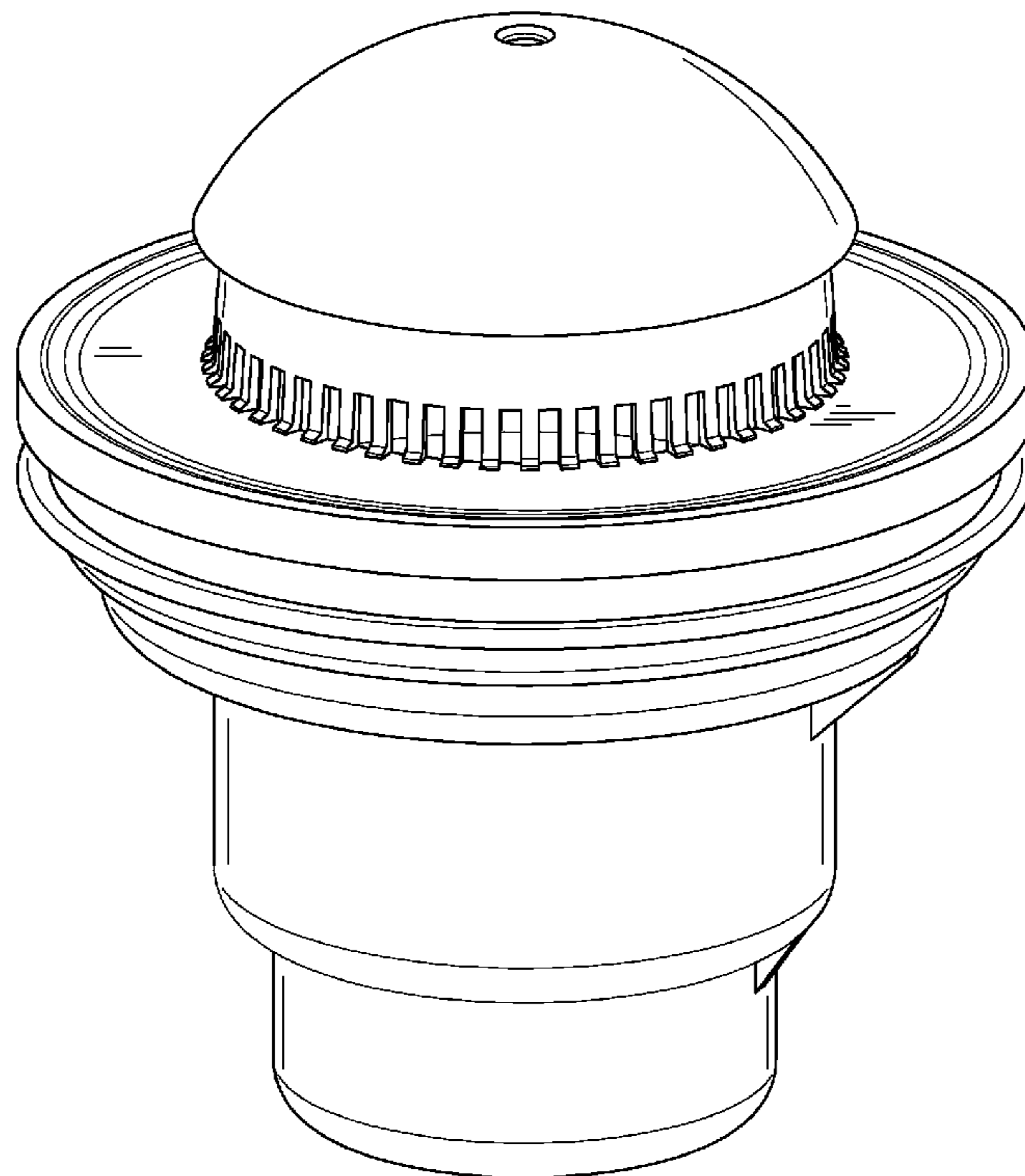
(57) **CLAIM**

I claim the ornamental design for a plumbing fixture, as shown and described.

**DESCRIPTION**

FIG. 1 is a top perspective view of the plumbing fixture;  
FIG. 2 is a bottom perspective view, of the plumbing fixture;  
FIG. 3 is a side view of the plumbing fixture;  
FIG. 4 is a front side view of the plumbing fixture;  
FIG. 5 is a top plan view of the plumbing fixture; and,  
FIG. 6 is a bottom plan view of the plumbing fixture.

**1 Claim, 4 Drawing Sheets**



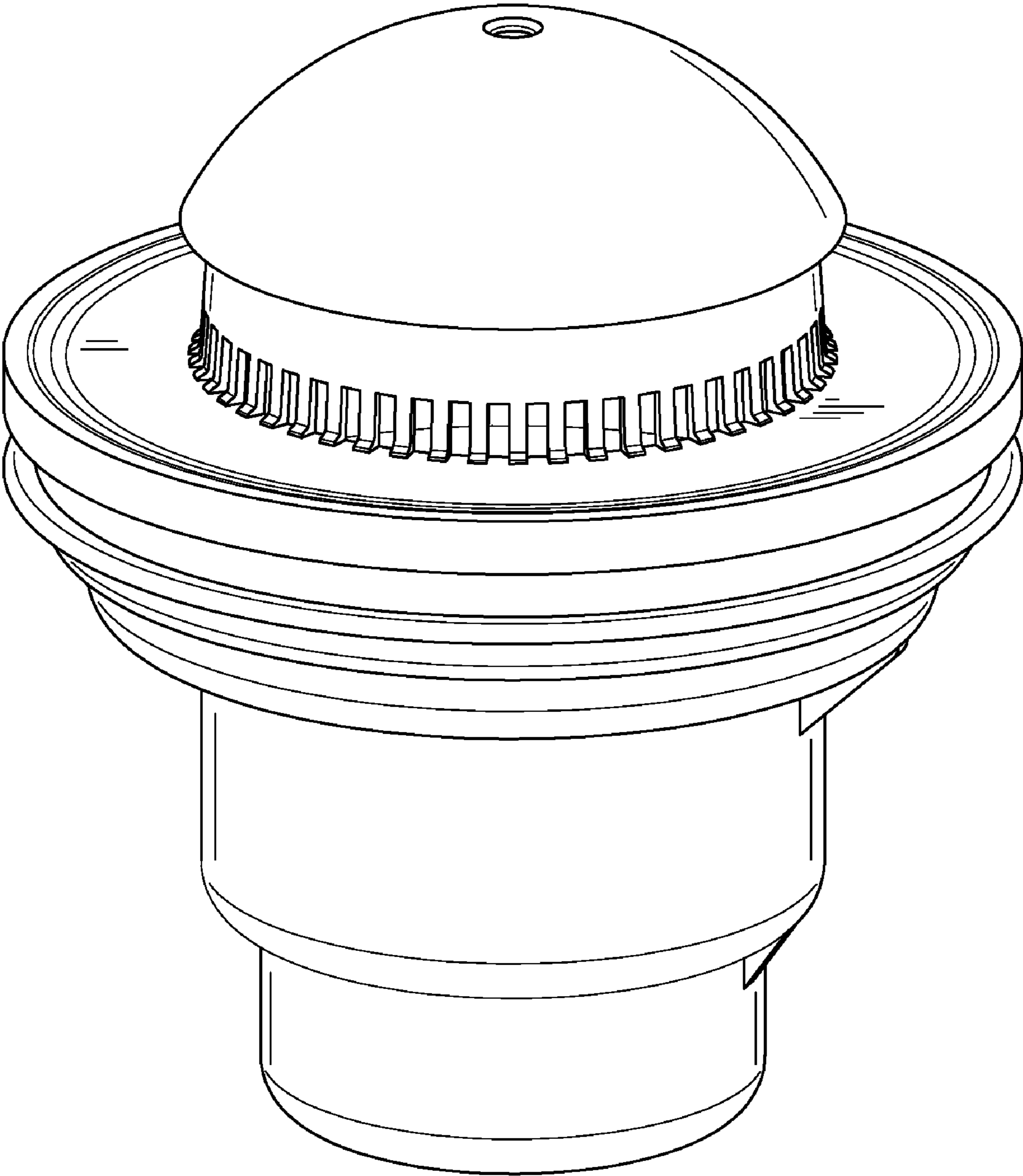


FIG. 1

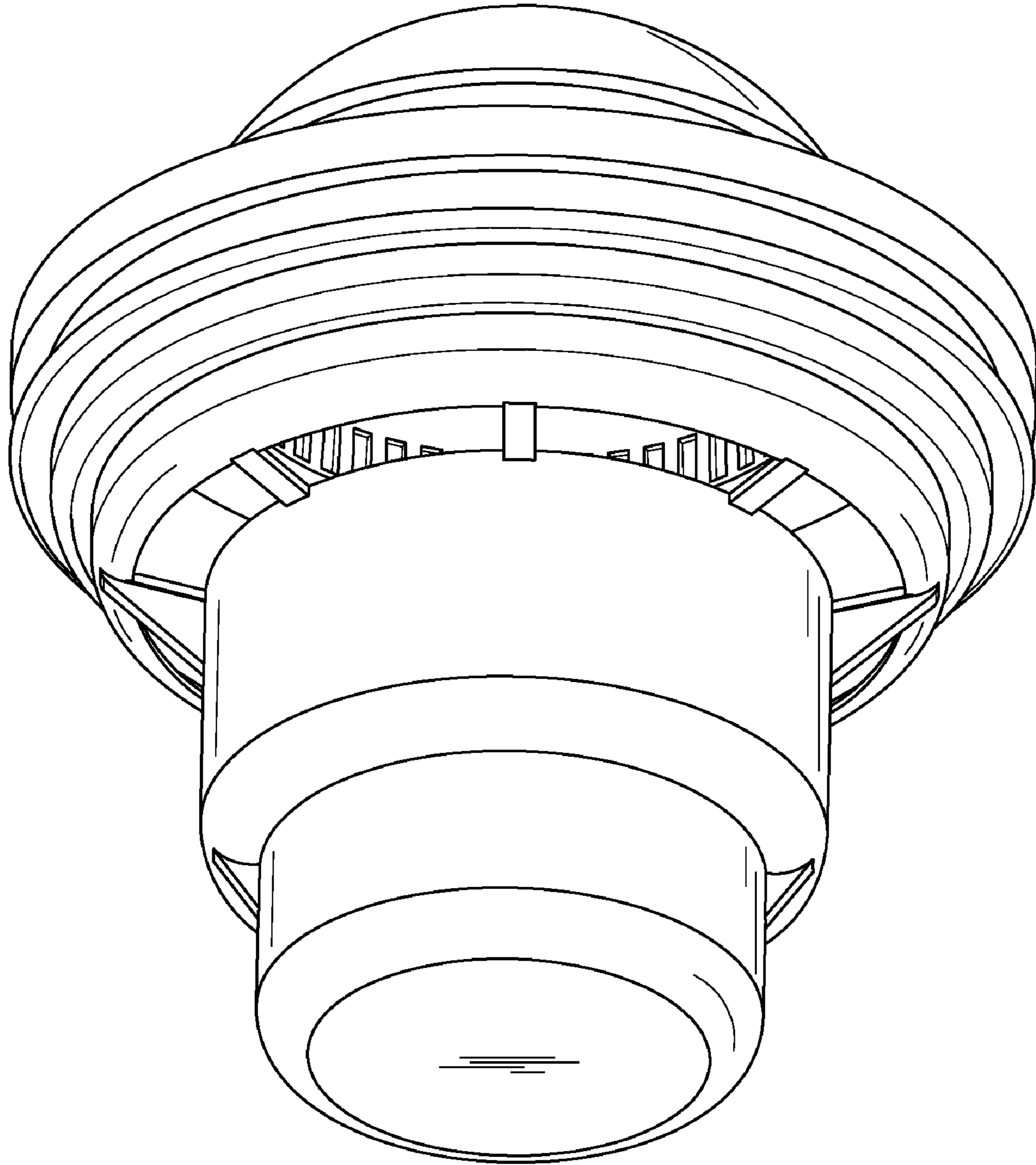


FIG. 2

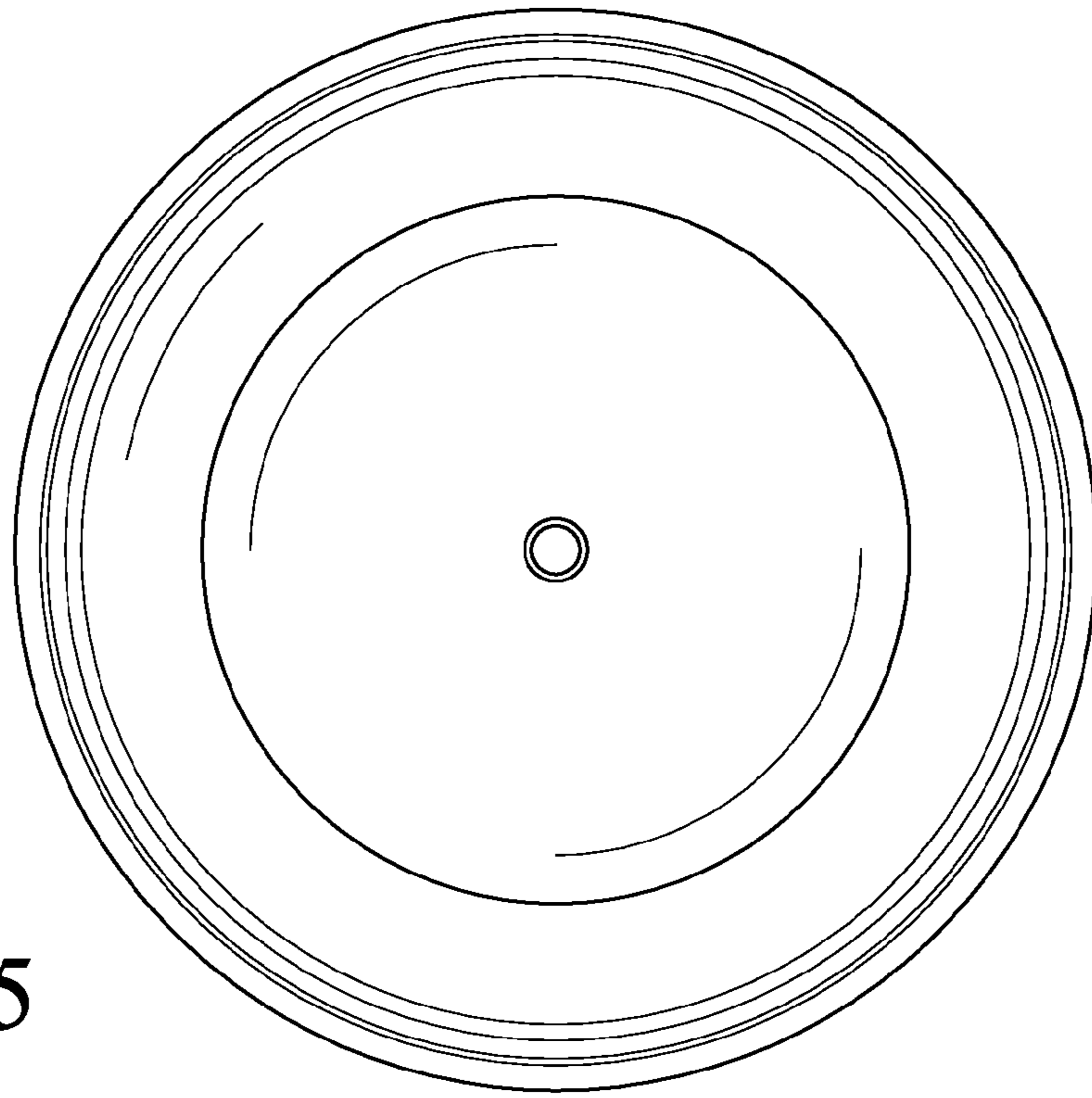


FIG. 5

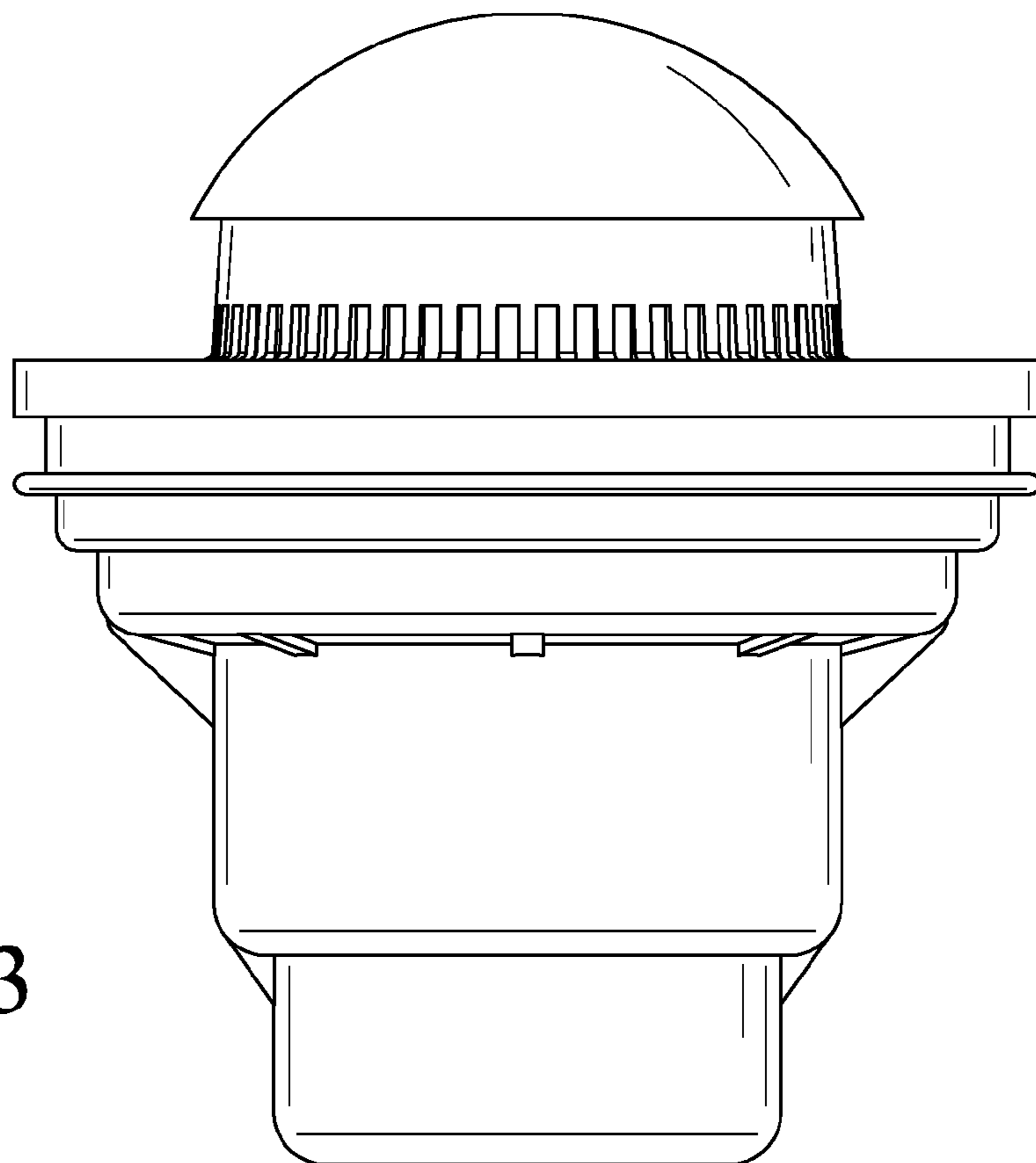


FIG. 3

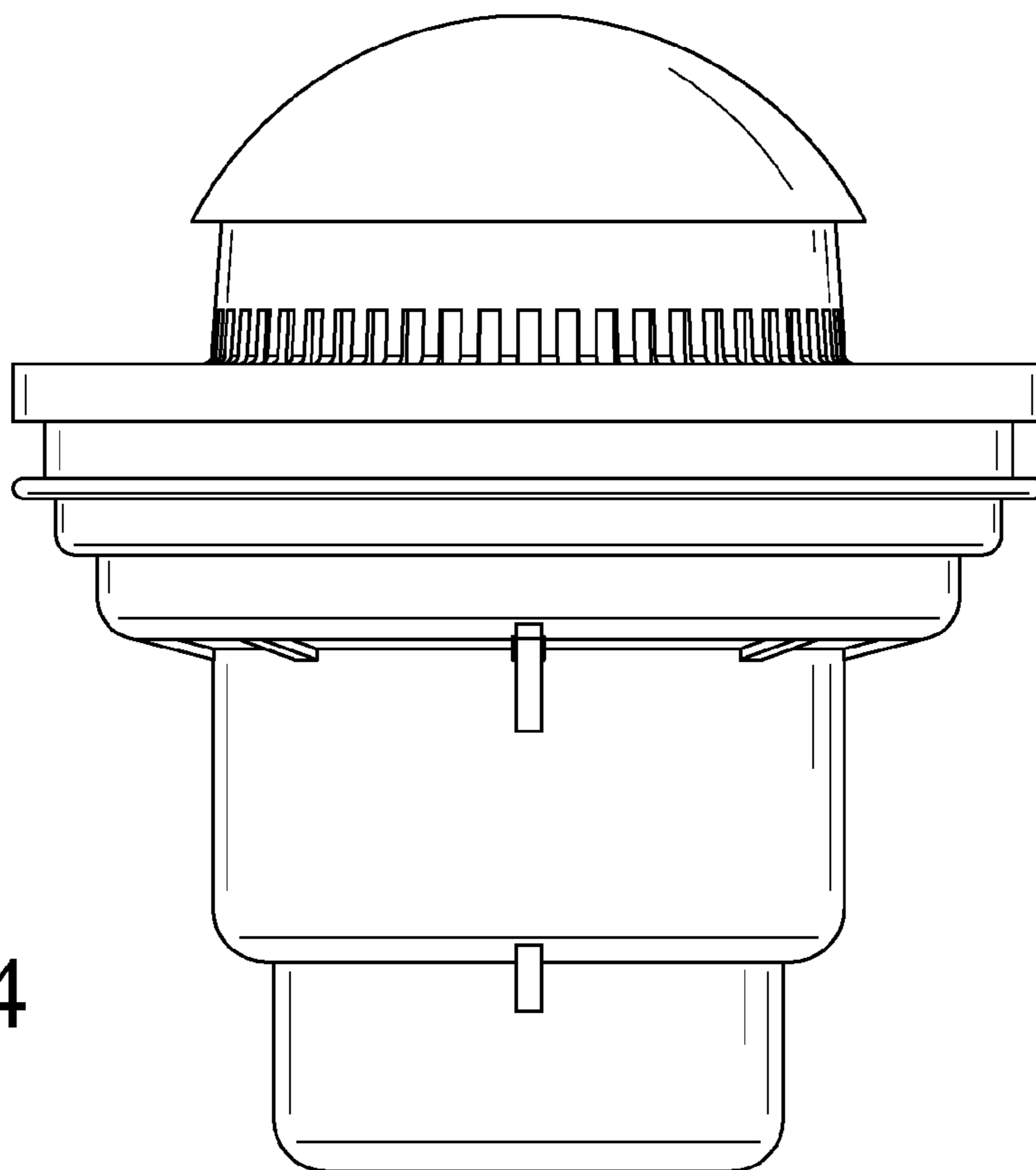


FIG. 4

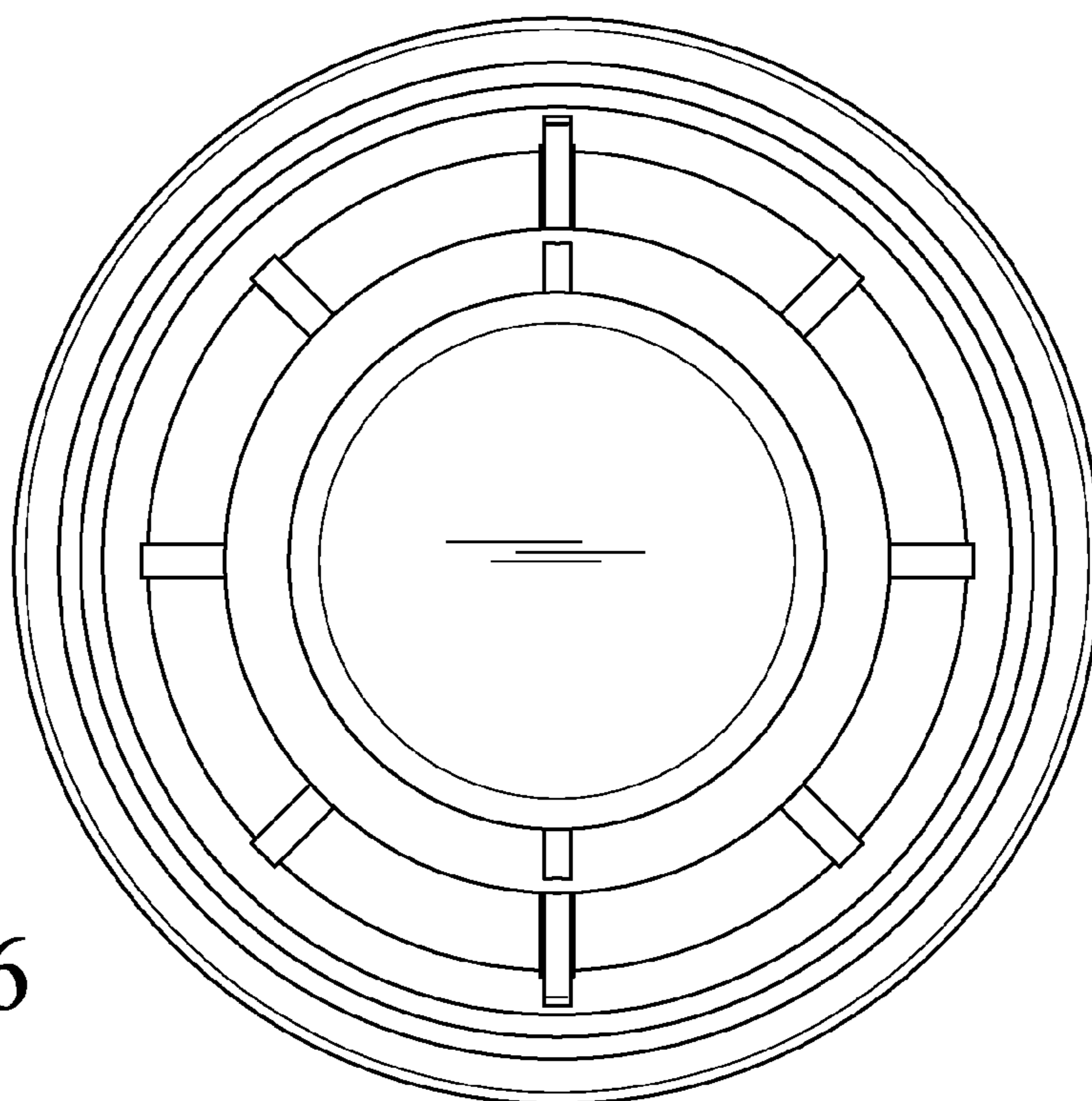


FIG. 6