



US00D598985S

(12) **United States Design Patent**
Smith et al.

(10) **Patent No.:** **US D598,985 S**

(45) **Date of Patent:** **** Aug. 25, 2009**

(54) **HOSE FITTING HAVING A NON-CRIMPED SHELL MOUNTED ON A FORMED TUBE**

(75) Inventors: **Patrick A. Smith**, South Euclid, OH (US); **Gregory Kreczko**, Kalamazoo, MI (US)

(73) Assignee: **Parker-Hannifin Corporation**, Cleveland, OH (US)

(**) Term: **14 Years**

(21) Appl. No.: **29/234,549**

(22) Filed: **Jul. 19, 2005**

(51) **LOC (9) Cl.** **23-01**

(52) **U.S. Cl.** **D23/259**

(58) **Field of Classification Search** D23/259, D23/262, 266; D8/38, 382; 285/39, 222.1, 285/242, 245-246, 256, 260, 276, 382.4
See application file for complete search history.

(56) **References Cited**

U.S. PATENT DOCUMENTS

- D194,015 S * 11/1962 Stringham D23/262
- 3,752,506 A * 8/1973 Fouts 285/222.1
- 3,759,553 A * 9/1973 Carter 285/260
- D229,408 S * 11/1973 Luckenbill et al. D23/262
- D229,411 S * 11/1973 Luckenbill et al. D23/262
- D229,412 S * 11/1973 Luckenbill et al. D23/262
- D229,415 S * 11/1973 Luckenbill et al. D23/262
- D229,416 S * 11/1973 Luckenbill et al. D23/262
- D229,417 S * 11/1973 Luckenbill et al. D23/262
- D234,847 S * 4/1975 Hoffman D23/262
- 4,093,282 A * 6/1978 Kyriakodis 285/114
- 4,729,583 A * 3/1988 Lalikos et al. 285/222.1
- D320,841 S * 10/1991 Breadmont D23/262
- 5,267,758 A * 12/1993 Shah et al. 285/256
- D347,467 S * 5/1994 Medvick D23/262
- 5,340,168 A * 8/1994 Barker 285/276
- 5,498,043 A * 3/1996 Goldenberg 285/242
- 5,517,844 A * 5/1996 Yuan
- 5,622,393 A * 4/1997 Elbich et al. 285/245
- D383,053 S * 9/1997 Schrader et al. D8/382

- D383,378 S * 9/1997 Schrader et al. D8/382
- D420,107 S * 2/2000 Kinder D23/262
- 6,270,126 B1 * 8/2001 Juedes 285/246
- D461,545 S * 8/2002 Nishio D23/266
- D464,409 S * 10/2002 Nishio D23/266
- 6,619,698 B2 * 9/2003 Juedes 285/246
- 6,764,106 B1 7/2004 Smith et al.
- 7,014,218 B2 * 3/2006 Fisher et al. 285/246
- 2001/0050479 A1 * 12/2001 Ice et al. 285/256
- 2002/0050716 A1 * 5/2002 Cresswell 285/39
- 2002/0089180 A1 * 7/2002 Juedes 285/246
- 2004/0128819 A1 7/2004 Patterson et al.
- 2005/0253388 A1 * 11/2005 Smith et al. 285/382.4
- 2006/0028020 A1 * 2/2006 Fullbeck et al. 285/256

OTHER PUBLICATIONS

Drawings of Commercial Hose Fittings.
Parker Product Bulletin No. 4480-B37-USA, dated Feb. 2002 for Parker 285 Air Conditioning Hose.
Parker Bulletin 4480-B40-USA dated Mar. 1999 for Crimped Style Hose and Fittings.

* cited by examiner

Primary Examiner—T. Chase Nelson
Assistant Examiner—Eric L Goodman
(74) *Attorney, Agent, or Firm*—John A. Molnar, Jr.

(57) **CLAIM**

The ornamental design for a hose fitting having a non-crimped shell mounted on a formed tube, as shown and described.

DESCRIPTION

FIG. 1 is a perspective view a hose fitting showing our new design;

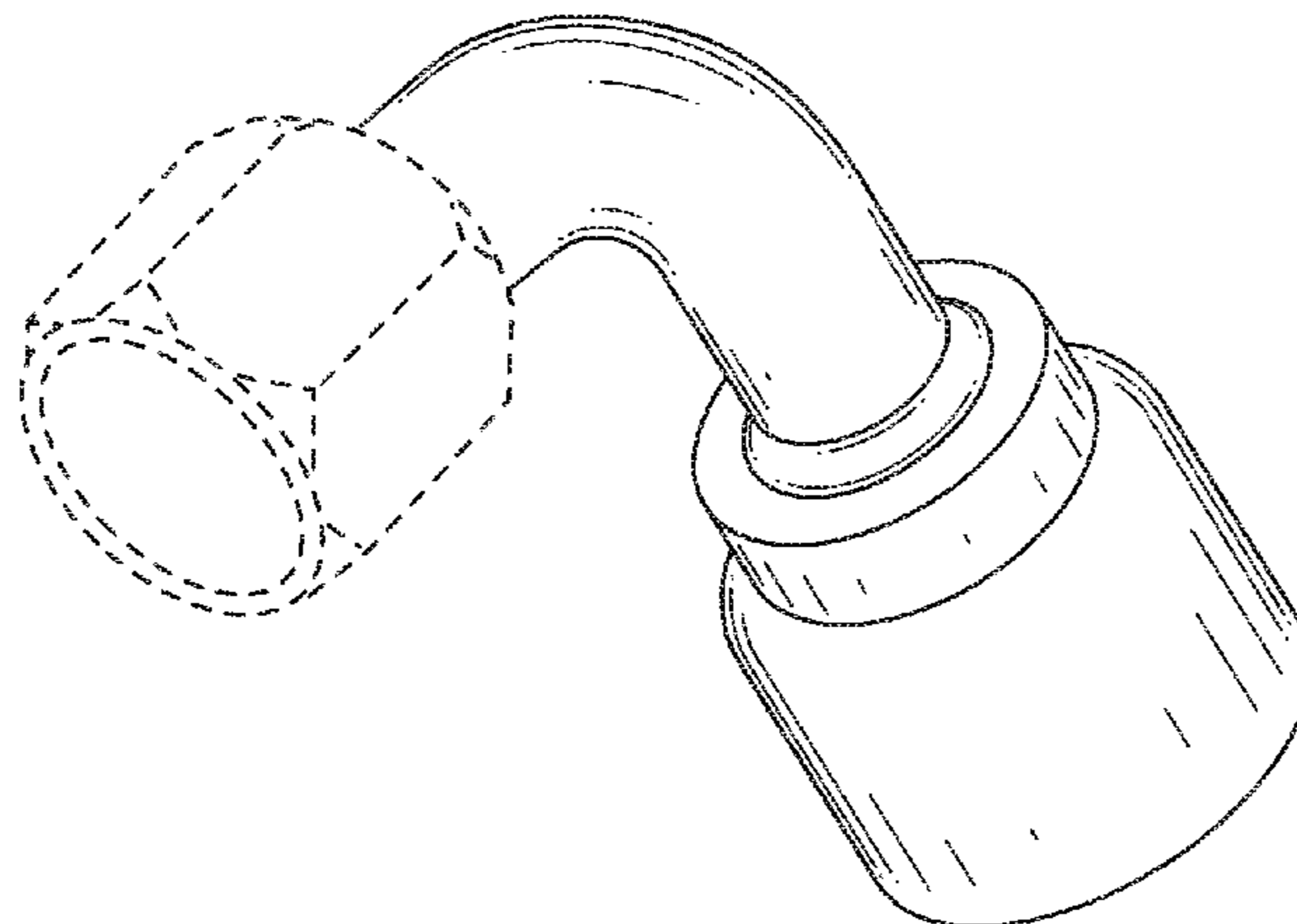
FIG. 2 is a right side view of the fitting of FIG. 1, the left side view thereof being duplicative of the right side view;

FIG. 3 is a top view of the fitting of FIG. 1; and,

FIG. 4 is a bottom view of the fitting of FIG. 1.

The broken lines are for illustrative purposes only and form no part of the claimed design.

1 Claim, 2 Drawing Sheets



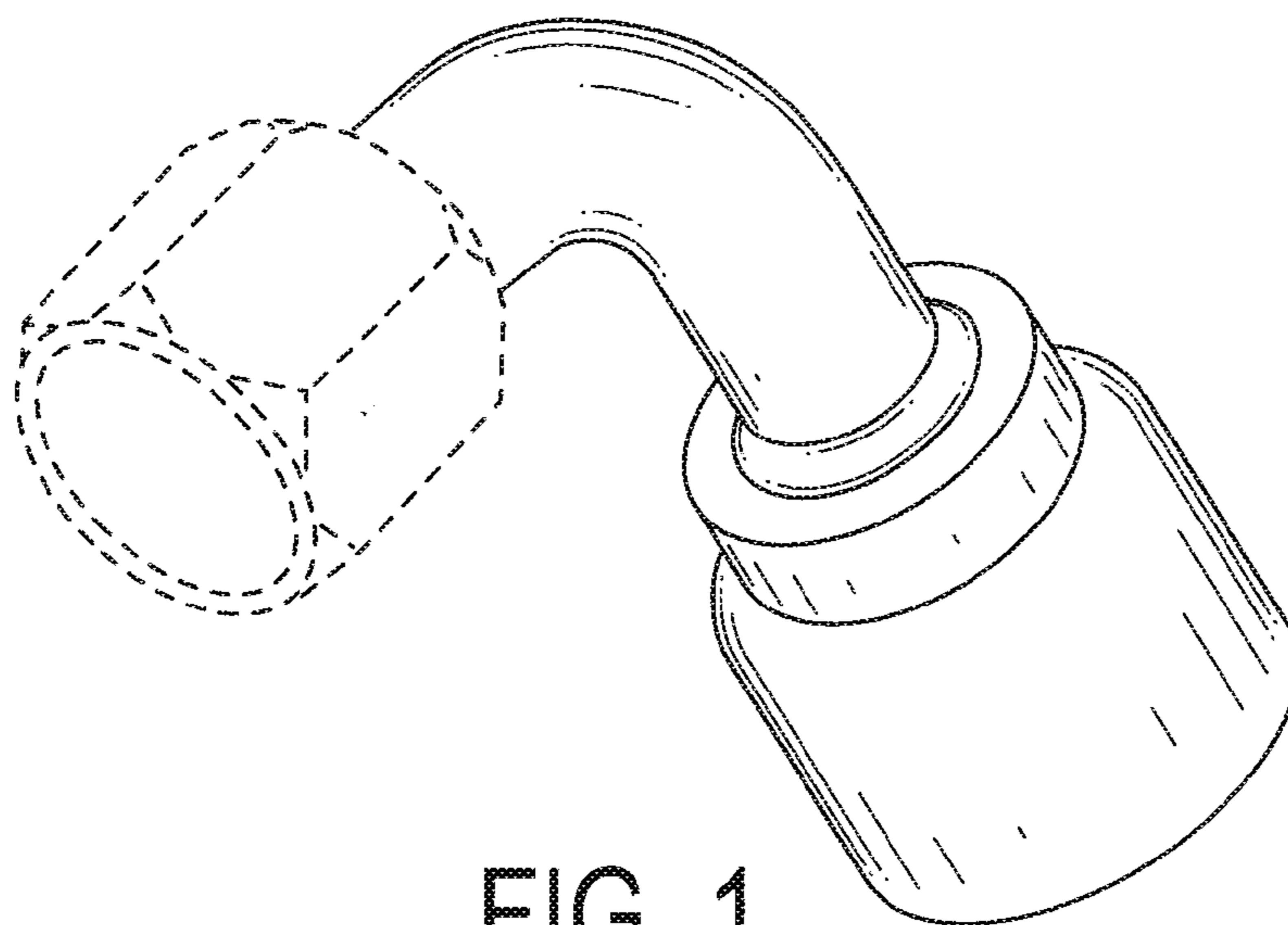


FIG. 1

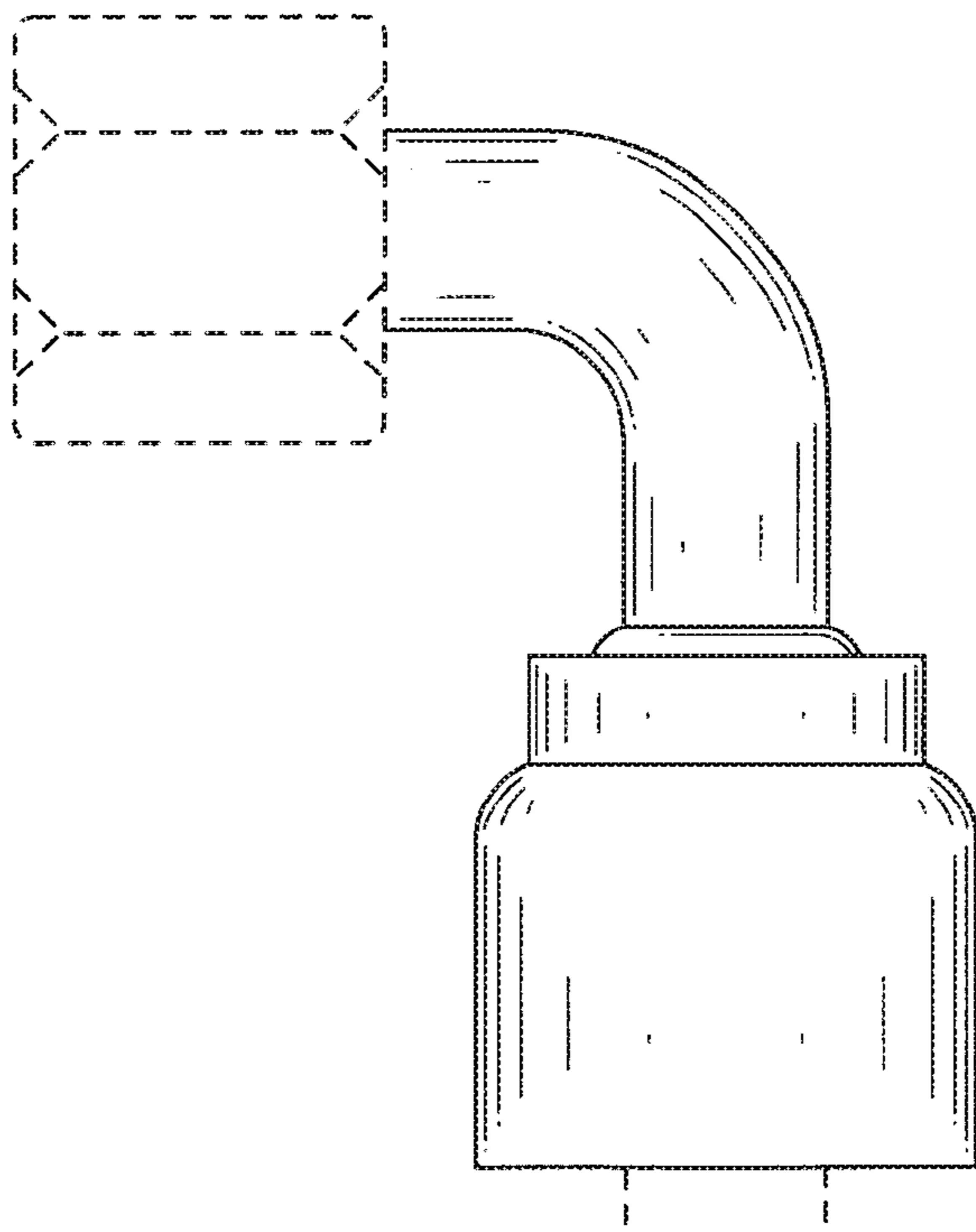


FIG. 2

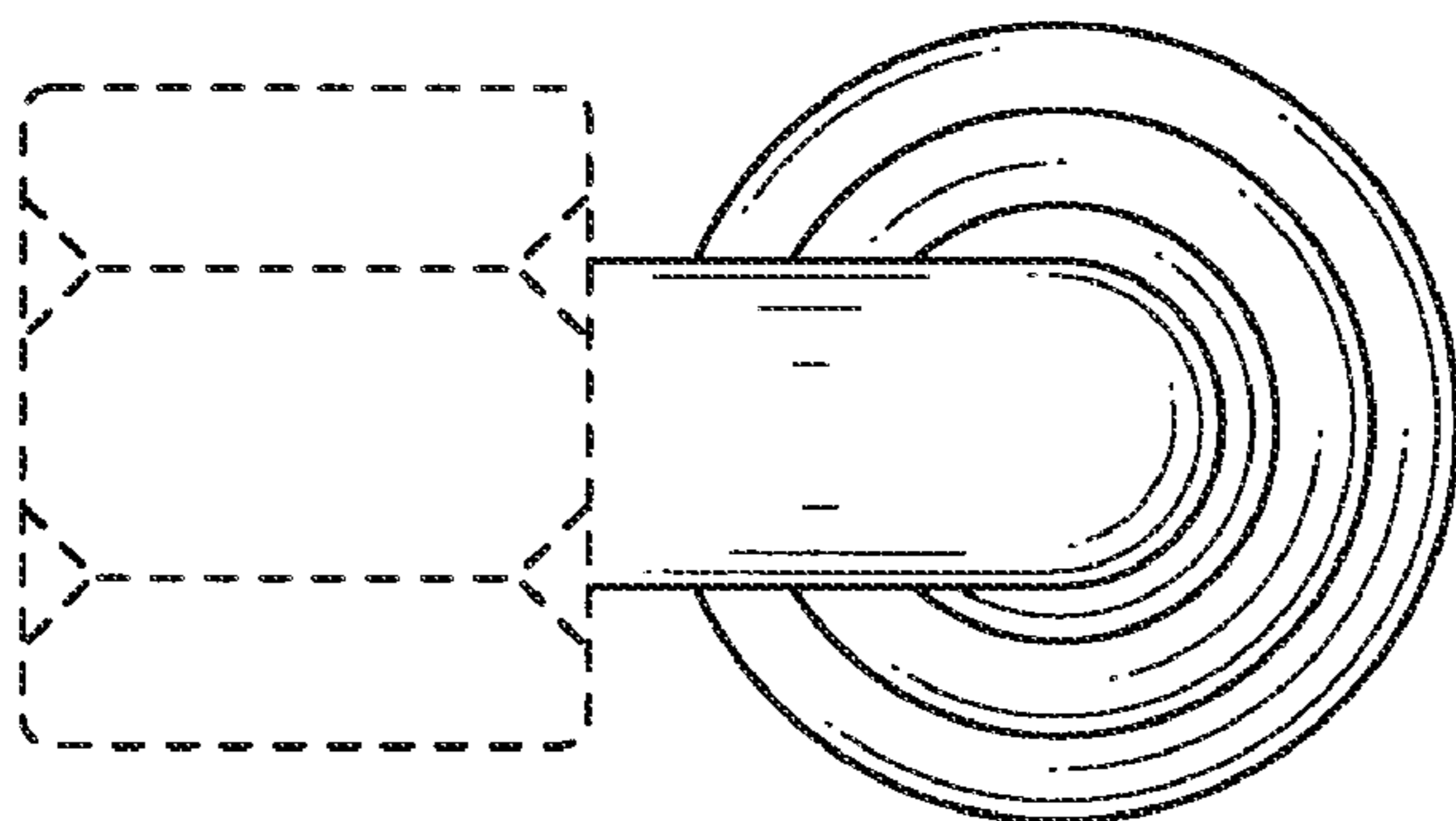


FIG. 3

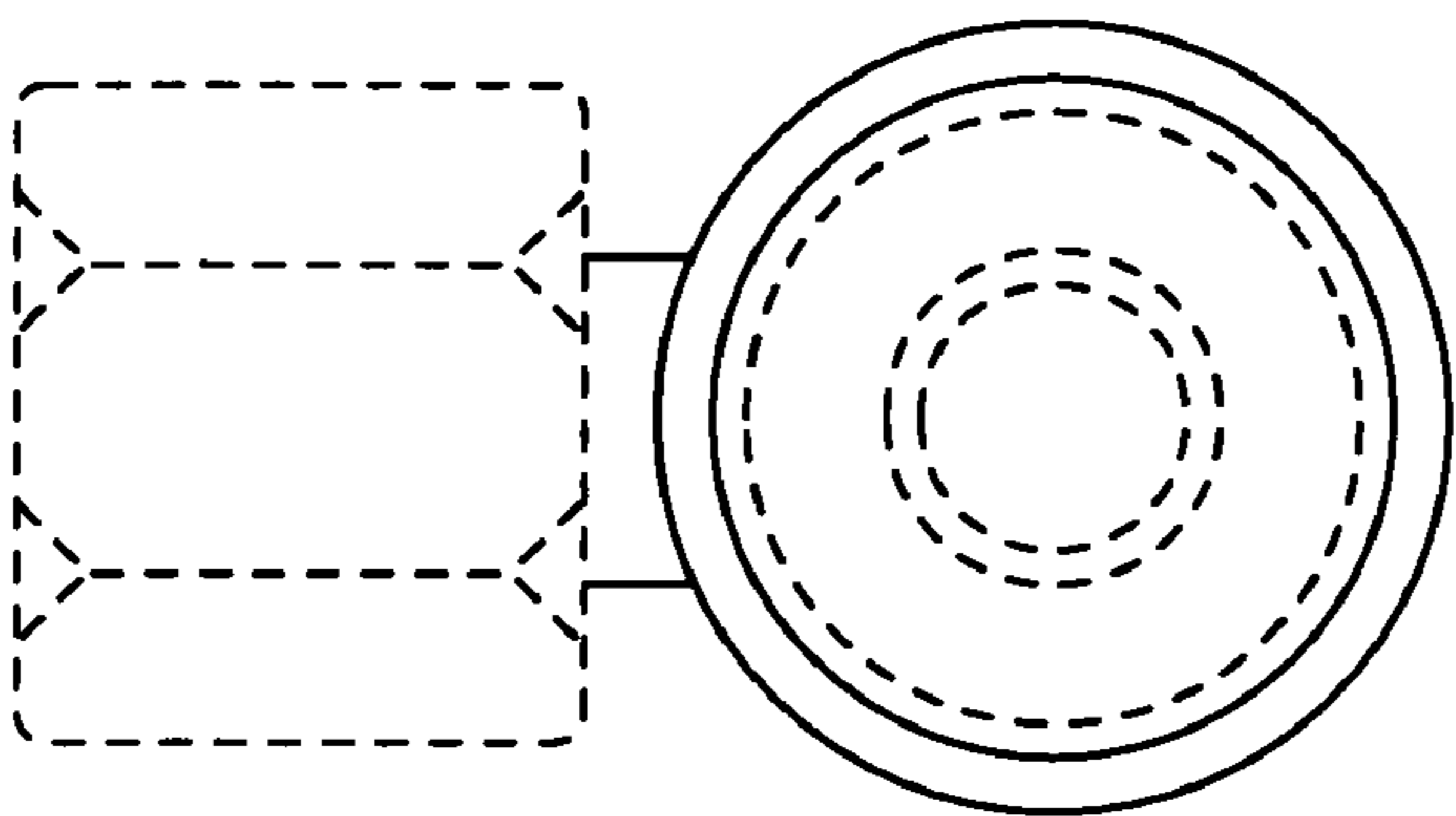


FIG. 4