



US00D598983S

(12) **United States Design Patent**
Shieh

(10) **Patent No.:** **US D598,983 S**

(45) **Date of Patent:** **** Aug. 25, 2009**

(54) **FAUCET HANDLE**

(75) Inventor: **Ming-Dang Shieh**, Chang Hua Hsien
(TW)

(73) Assignee: **Horng Lai Industrial Co., Ltd.**, Chang
Hua Hsien (TW)

(**) Term: **14 Years**

(21) Appl. No.: **29/330,311**

(22) Filed: **Jan. 5, 2009**

(51) **LOC (9) Cl.** **23-01**

(52) **U.S. Cl.** **D23/252**

(58) **Field of Classification Search** D23/200,
D23/238-257; D6/512, 546, 550; D8/300,
D8/307-308, 310-312, 321; 4/675-678;
137/801; 16/110.1, 441

See application file for complete search history.

(56) **References Cited**

U.S. PATENT DOCUMENTS

D433,735 S	*	11/2000	Lord	D23/250
D434,118 S	*	11/2000	Lord	D23/252
D443,678 S	*	6/2001	Lord	D23/252
D444,544 S	*	7/2001	Lord	D23/250
D460,531 S	*	7/2002	Ko	D23/252
D462,421 S	*	9/2002	Hundley	D23/254

D464,404 S	*	10/2002	Lord	D23/252
D474,957 S	*	5/2003	Singtoroj et al.	D23/252
D489,120 S	*	4/2004	Shieh	D23/252
D522,096 S	*	5/2006	Fritz	D23/252
D522,631 S	*	6/2006	Singtoroj	D23/252
D526,702 S	*	8/2006	Kosasih	D23/252
D582,522 S	*	12/2008	Hanna	D23/250

* cited by examiner

Primary Examiner—T. Chase Nelson

Assistant Examiner—Mark Cavanna

(74) *Attorney, Agent, or Firm*—Alan Kamrath; Kamrath &
Associates PA

(57) **CLAIM**

The ornamental design for a faucet handle, as shown and
described.

DESCRIPTION

FIG. 1 is a perspective view of a faucet handle showing my
design;

FIG. 2 is a front elevational view thereof;

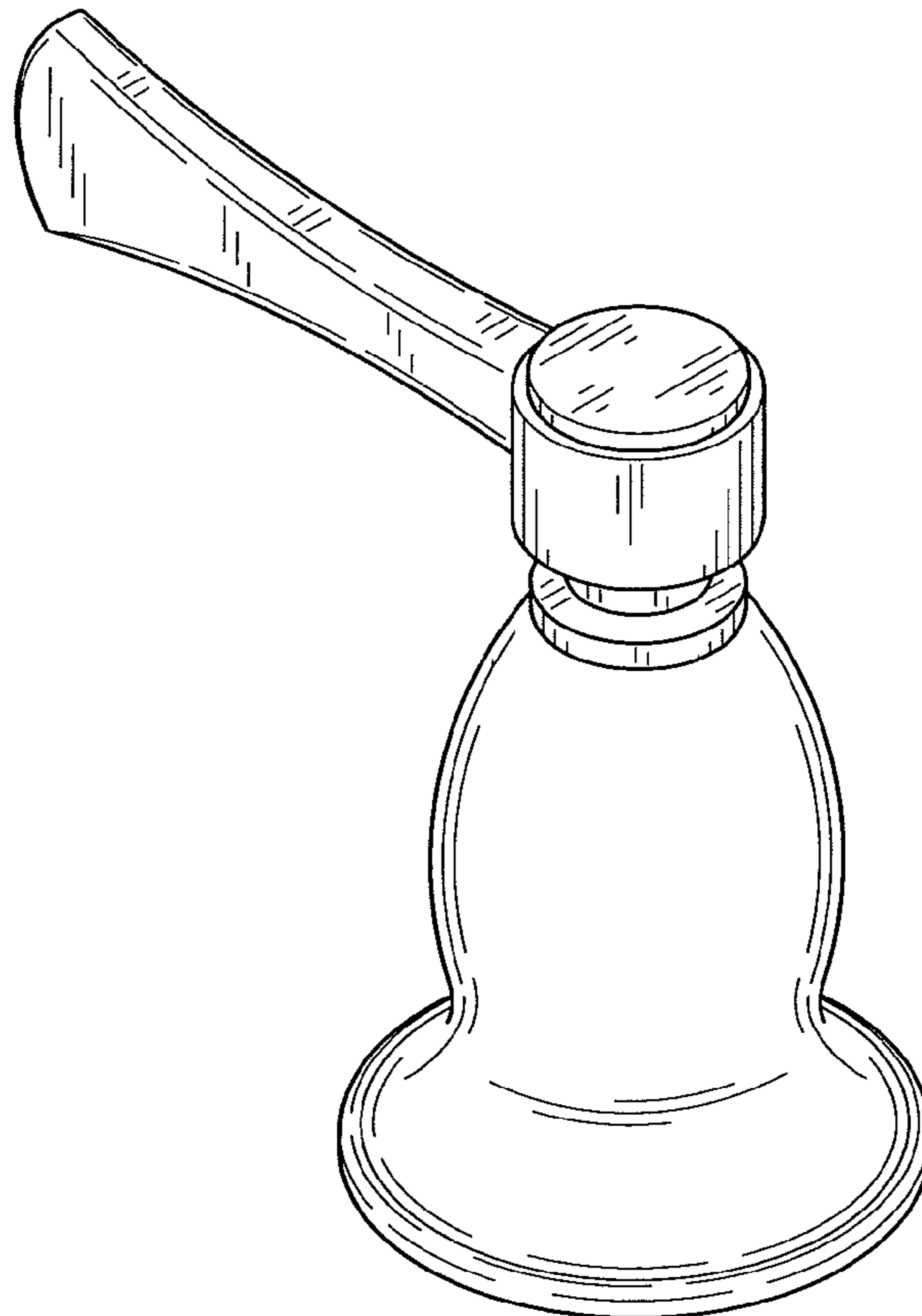
FIG. 3 is a rear elevational view thereof;

FIG. 4 is a left side elevational view thereof;

FIG. 5 is a right side elevational view thereof; and,

FIG. 6 is a top plan view thereof.

1 Claim, 4 Drawing Sheets



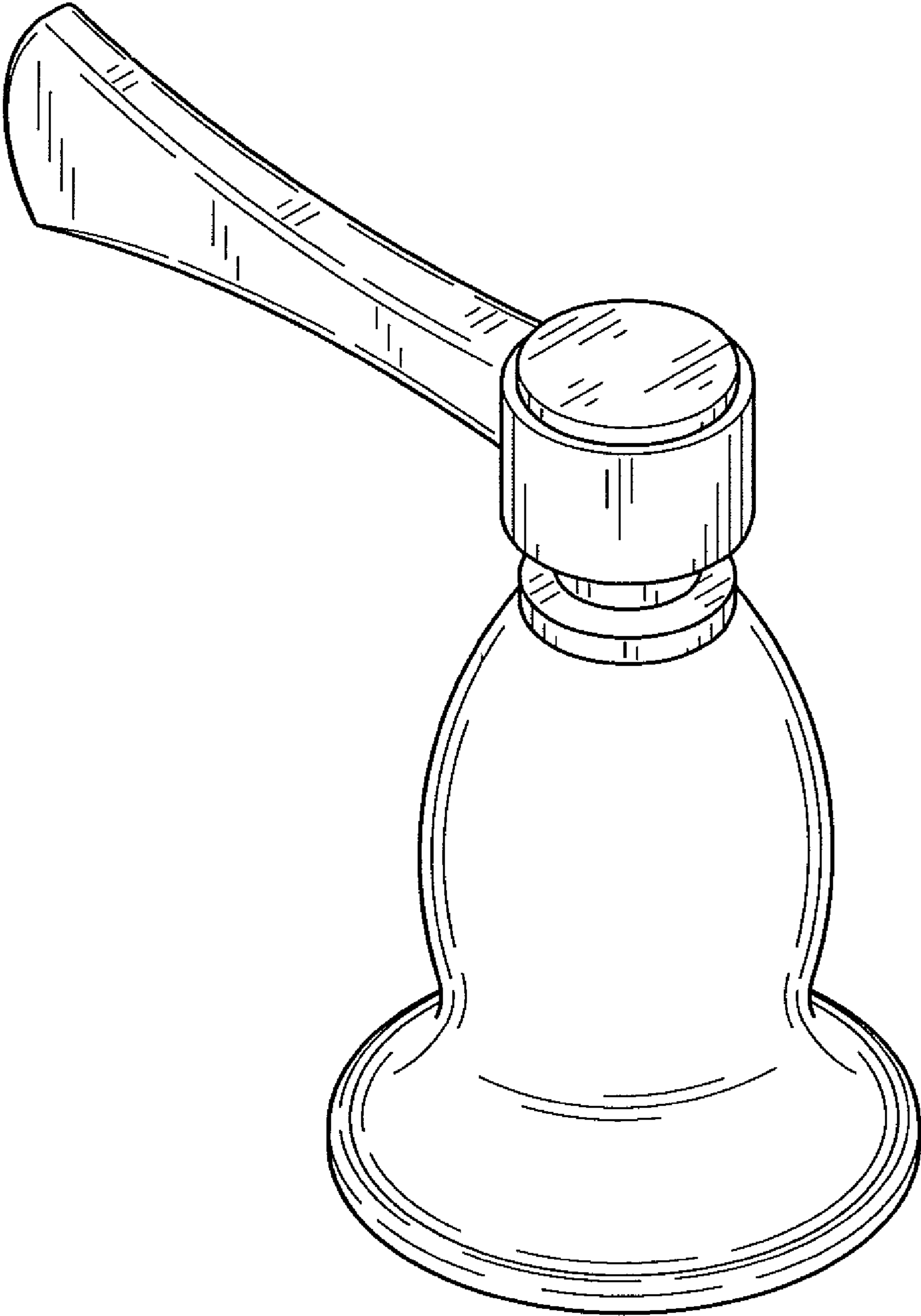


FIG. 1

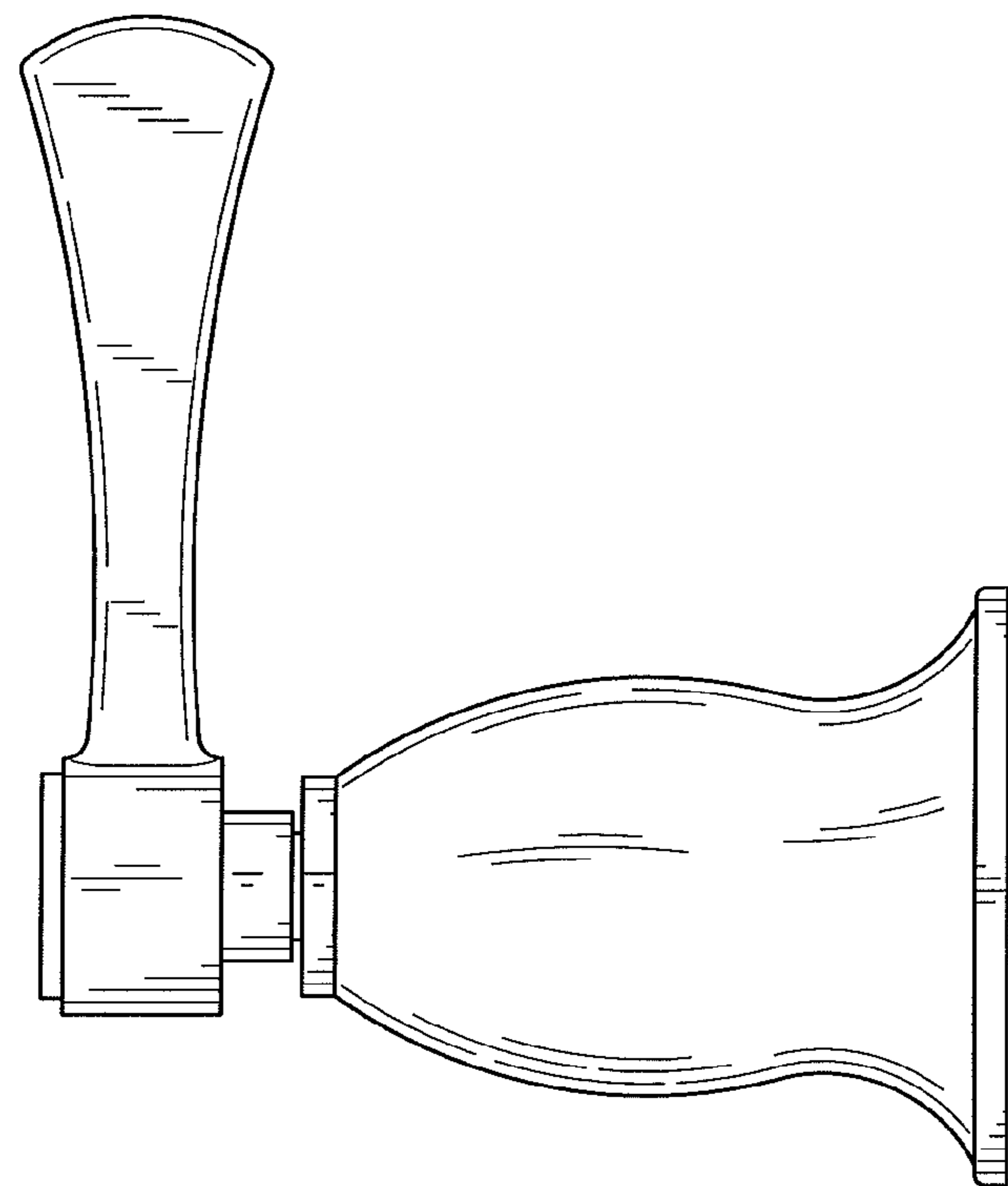


FIG. 3

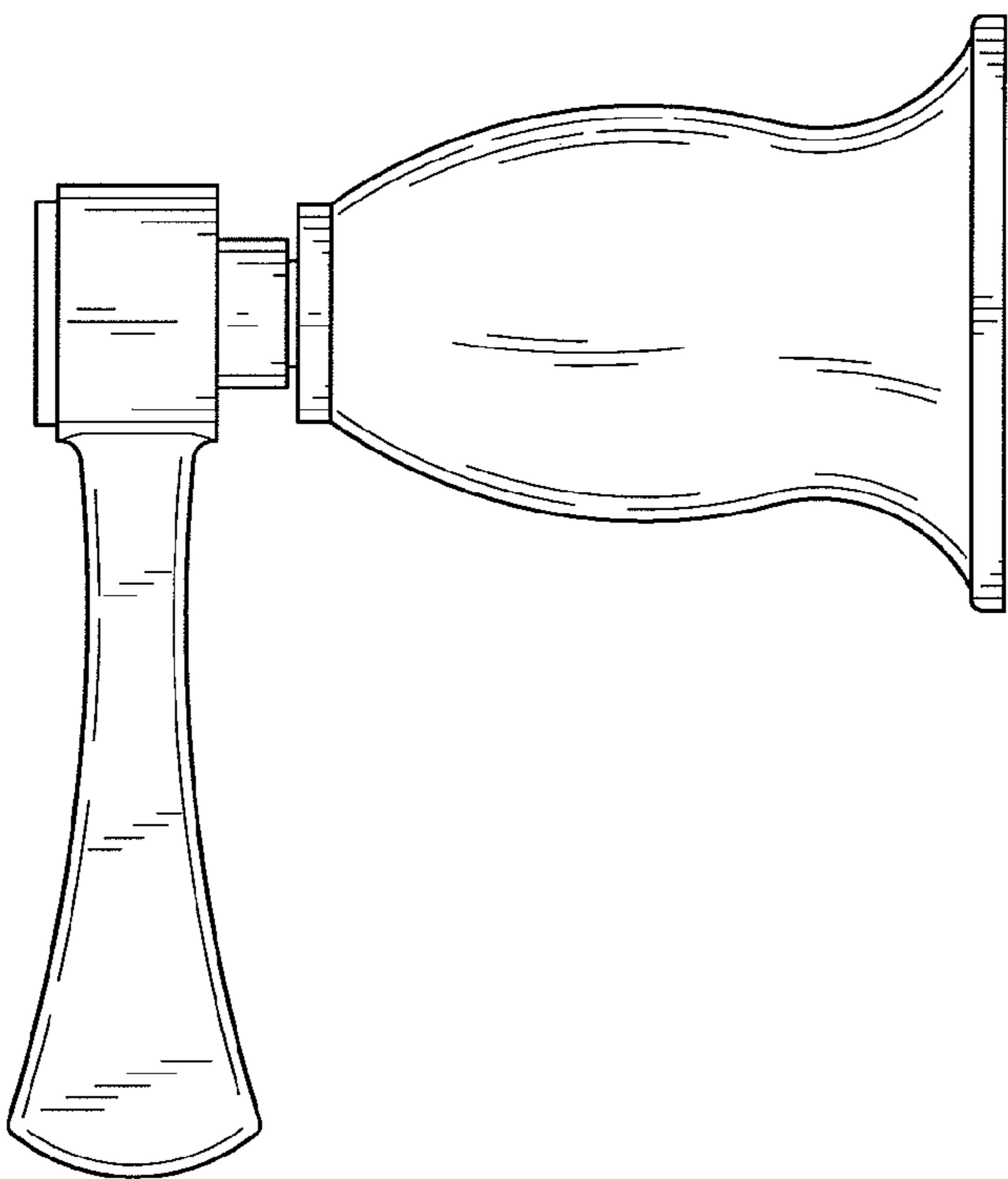


FIG. 2

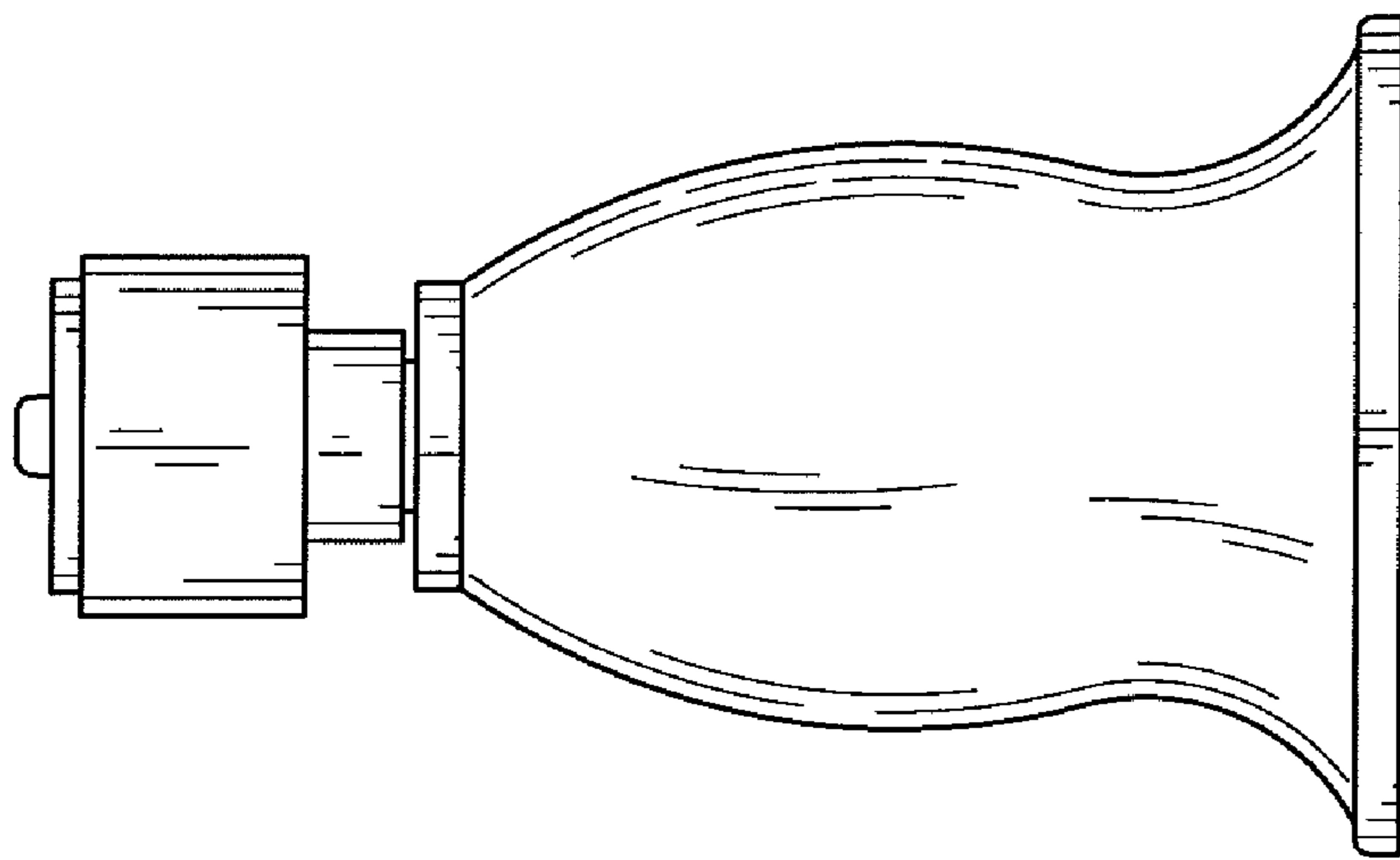


FIG. 5

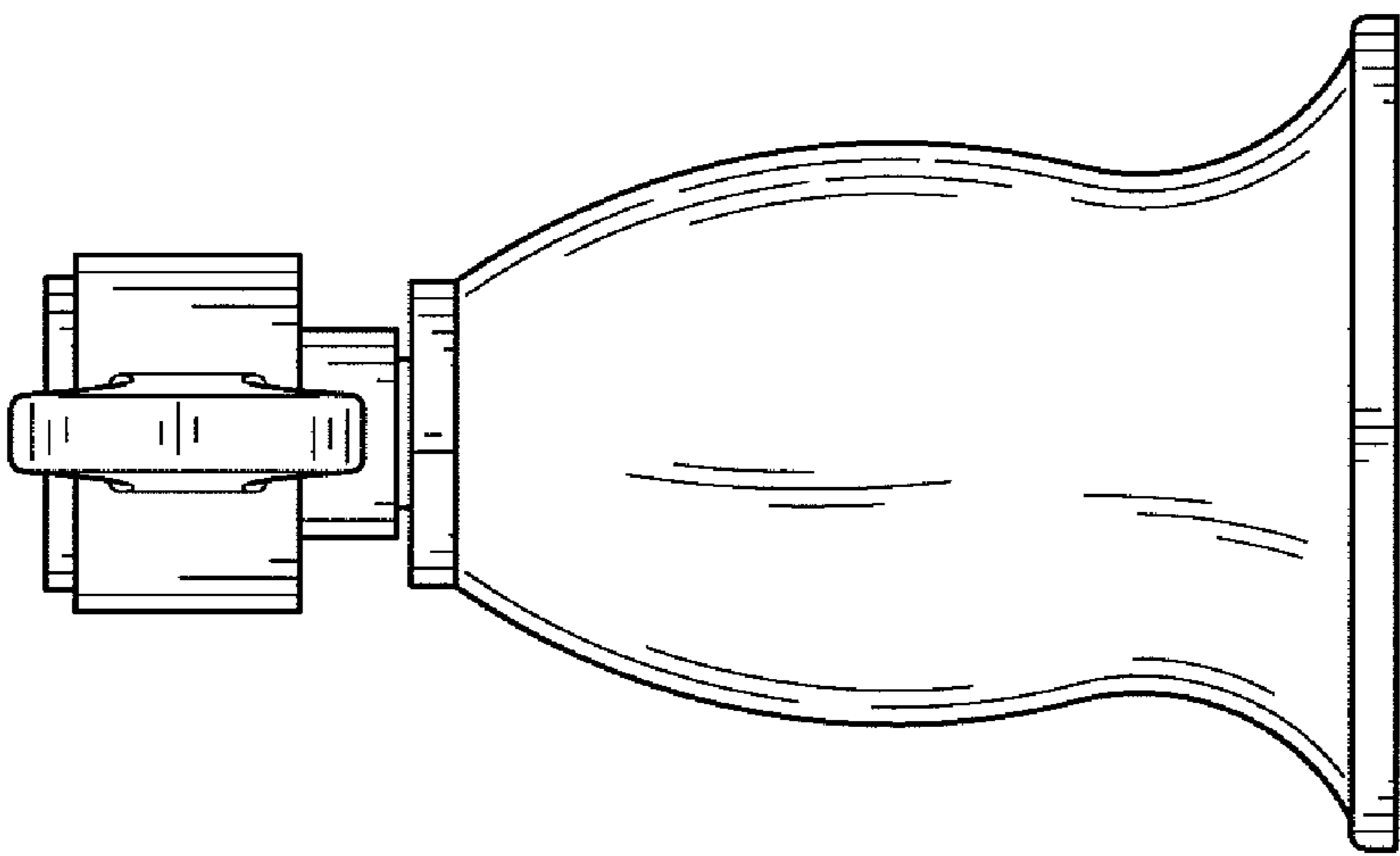


FIG. 4

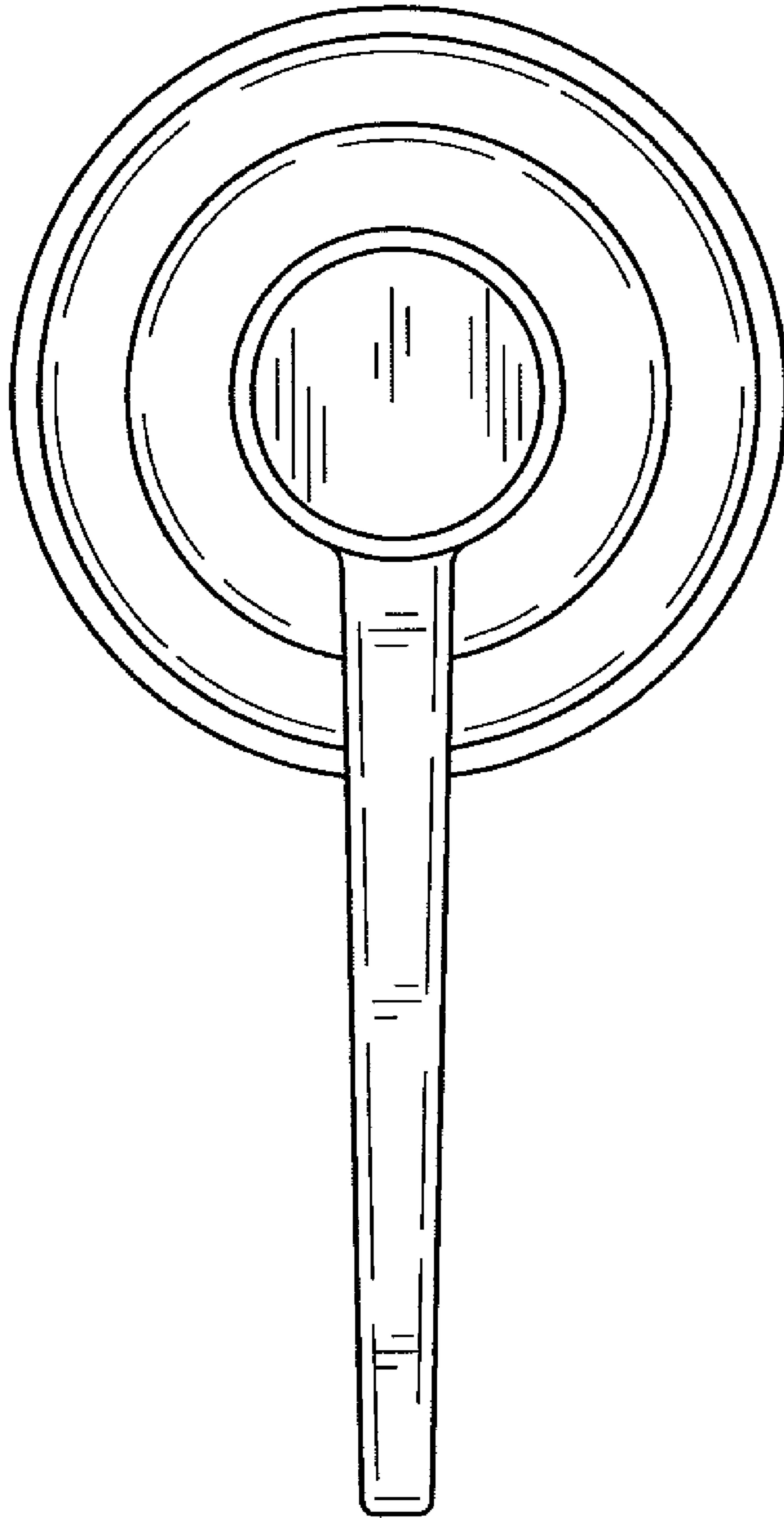


FIG. 6