



US00D598981S

(12) **United States Design Patent**
Zetsche et al.

(10) **Patent No.:** **US D598,981 S**

(45) **Date of Patent:** **** Aug. 25, 2009**

(54) **MIXING FAUCET**

(75) Inventors: **Reinhard Zetsche**, München (DE);
Bruno Sacco, Sindelfingen (DE)

(73) Assignee: **Hansa Metallwerke AG**, Stuttgart (DE)

(**) Term: **14 Years**

(21) Appl. No.: **29/321,811**

(22) Filed: **Jul. 24, 2008**

(30) **Foreign Application Priority Data**

Feb. 1, 2008 (EM) 000870654-0003

(51) **LOC (9) Cl.** **23-01**

(52) **U.S. Cl.** **D23/242**

(58) **Field of Classification Search** D23/200,
D23/238-257; 4/675-678; 137/801
See application file for complete search history.

(56) **References Cited**

U.S. PATENT DOCUMENTS

D446,286 S * 8/2001 Fleischmann D23/242
D467,307 S * 12/2002 Sieger D23/242
D476,721 S * 7/2003 Ouyoung D23/242
D511,563 S * 11/2005 Berman D23/241

OTHER PUBLICATIONS

U.S. Appl. No. 29/321,807, Zetsche, et al. filed Jul. 24, 2008, entitled,
Mixing Faucet.

U.S. Appl. No. 29/321,809, Zetsche, et al. filed Jul. 24, 2008, entitled,
Mixing Faucet.

U.S. Appl. No. 29/321,812, Zetsche, et al. filed Jul. 24, 2008, entitled,
Mixing Faucet.

* cited by examiner

Primary Examiner—Robert A. Delehanty

Assistant Examiner—Mark Cavanna

(74) *Attorney, Agent, or Firm*—Factor & Lake, Ltd.

(57) **CLAIM**

The ornamental design for mixing faucet, as shown and
described.

DESCRIPTION

FIG. 1 is a perspective view of the mixing faucet showing a
new ornamental design thereof;

FIG. 2 is a front elevation view of the mixing faucet shown in
FIG. 1;

FIG. 3 is a rear elevation view of the mixing faucet shown in
FIG. 1;

FIG. 4 is a right side elevation view of the mixing faucet
shown in FIG. 1;

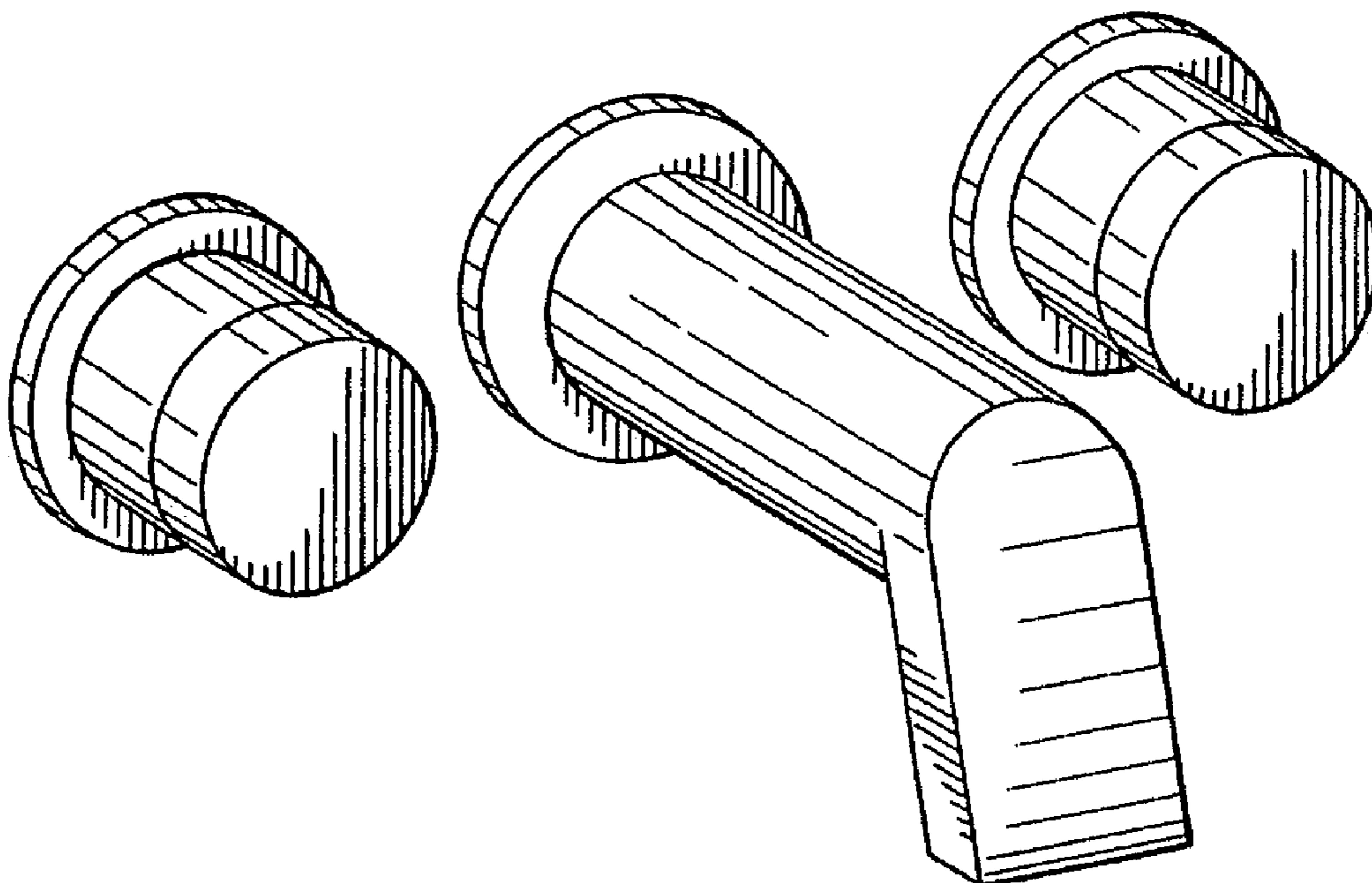
FIG. 5 is a left side elevation view of the mixing faucet shown
in FIG. 1;

FIG. 6 is a top plan view of the mixing faucet shown in FIG.
1; and,

FIG. 7 is a bottom plan view of the mixing faucet shown in
FIG. 1.

The broken lines are included for the purpose of illustrating
portions of the mixing faucet that forms no part of the claimed
design.

1 Claim, 4 Drawing Sheets



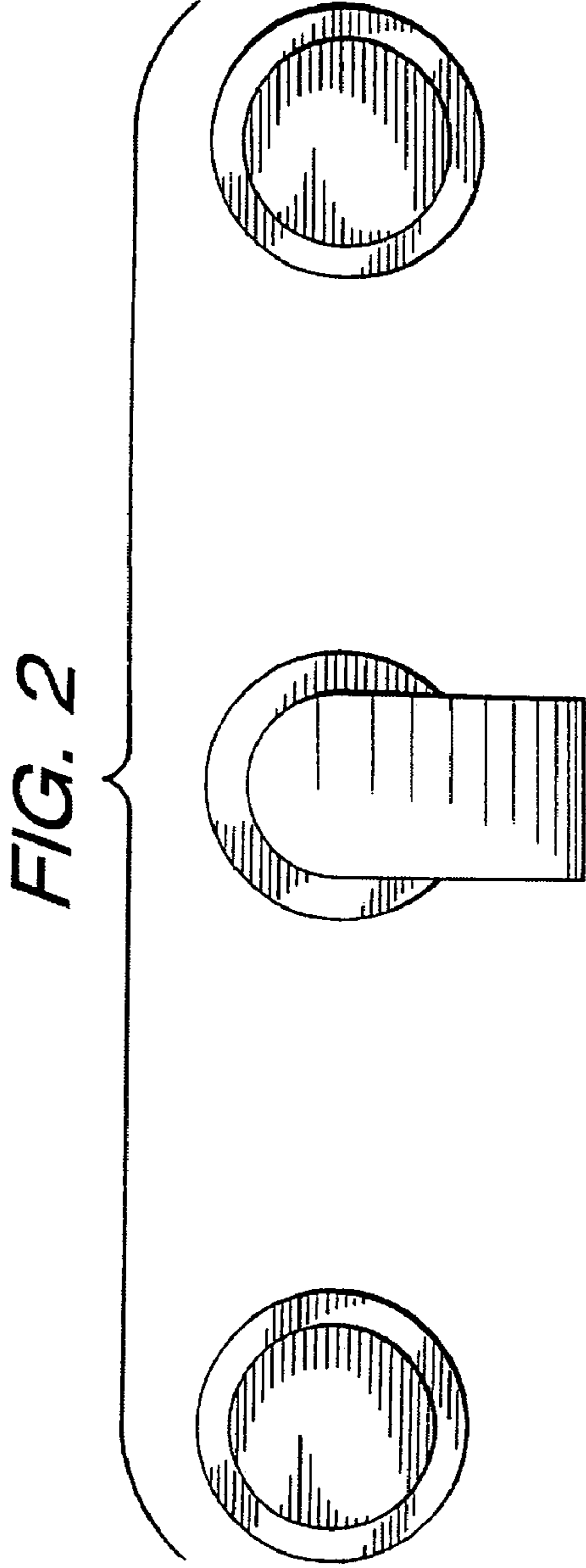
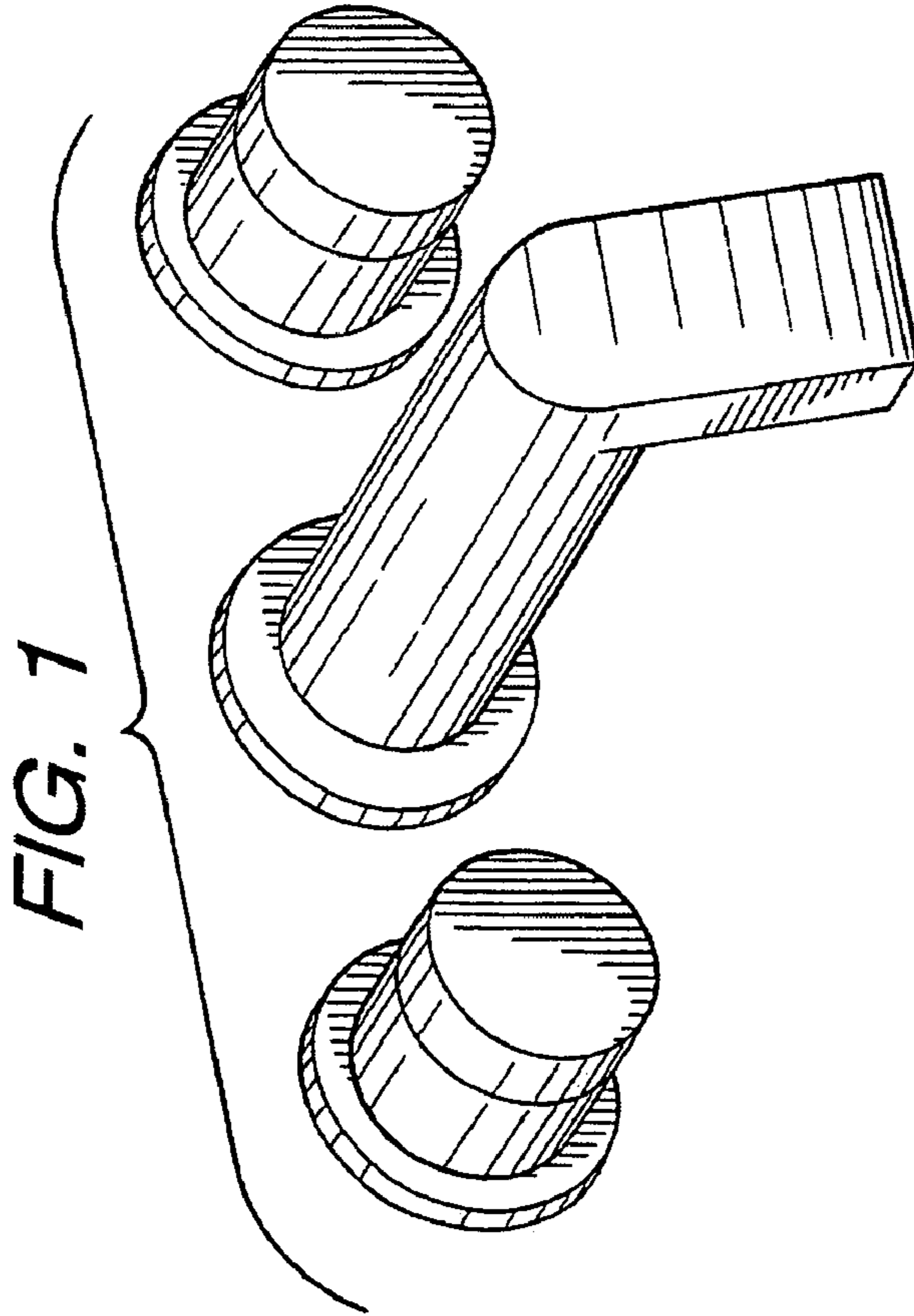


FIG. 3

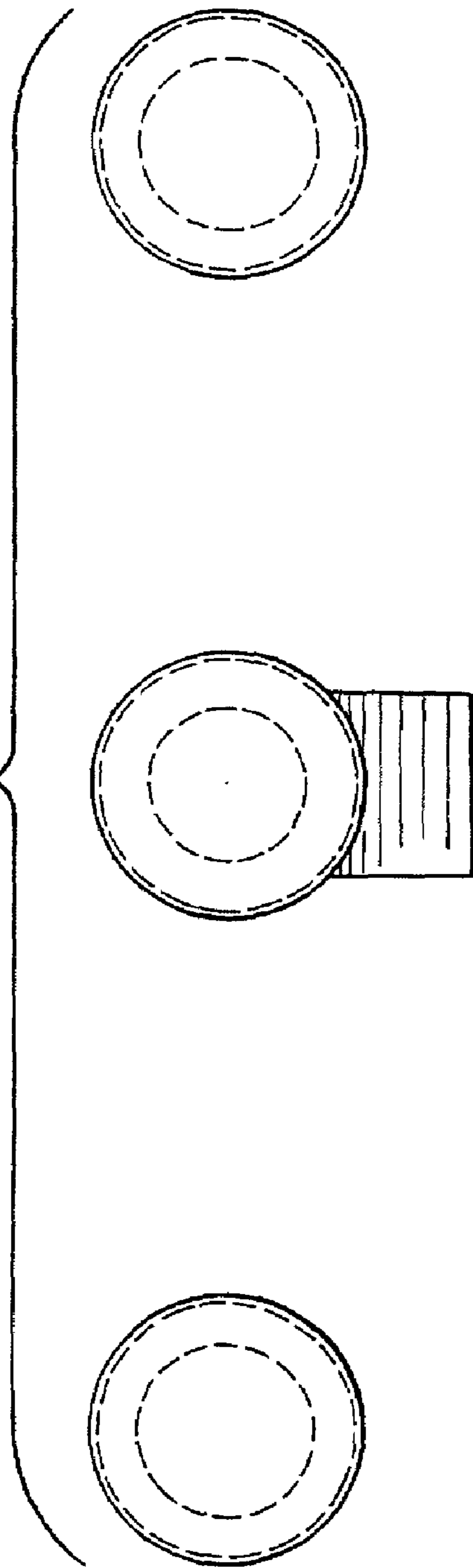


FIG. 4

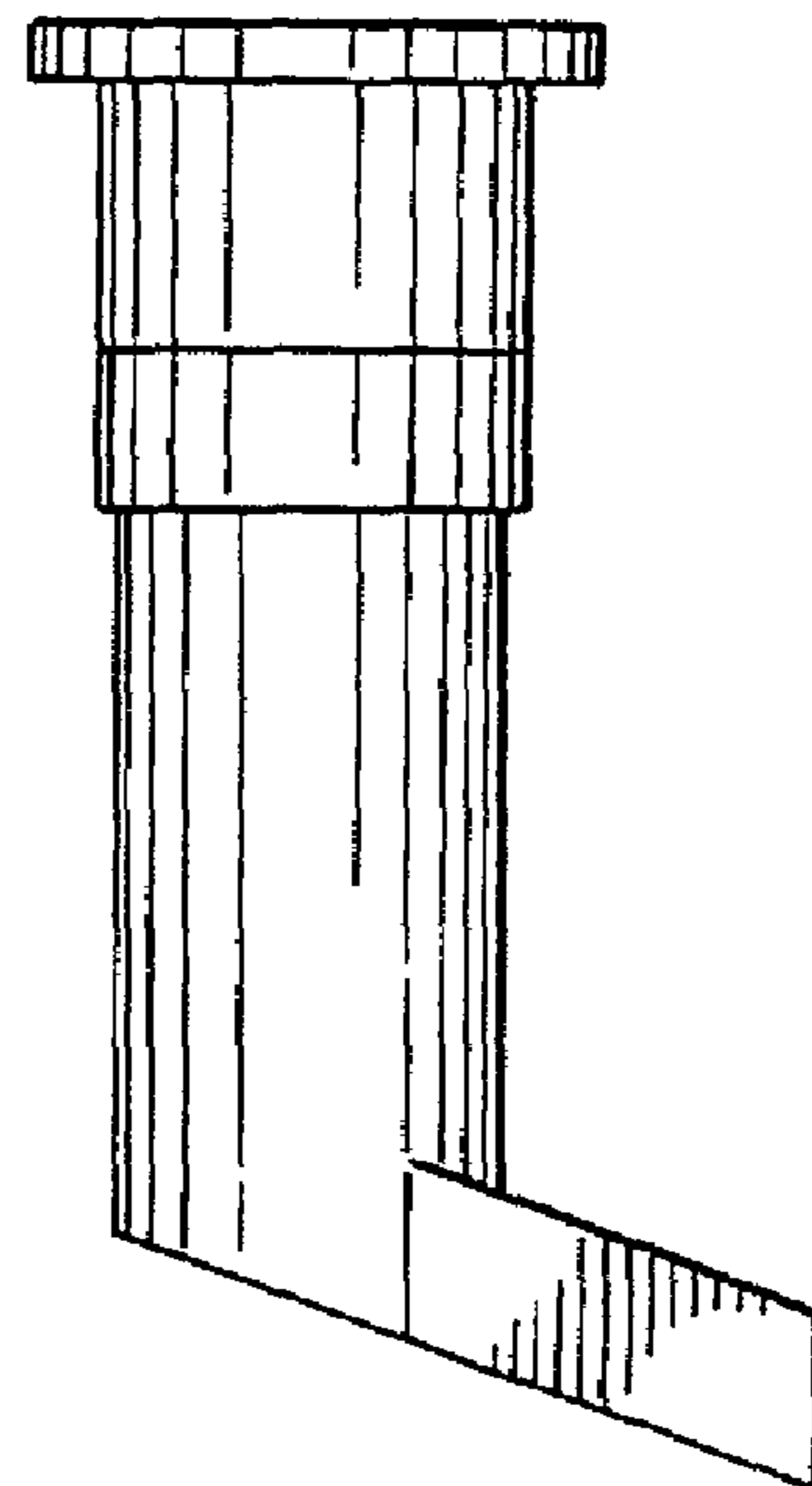


FIG. 5

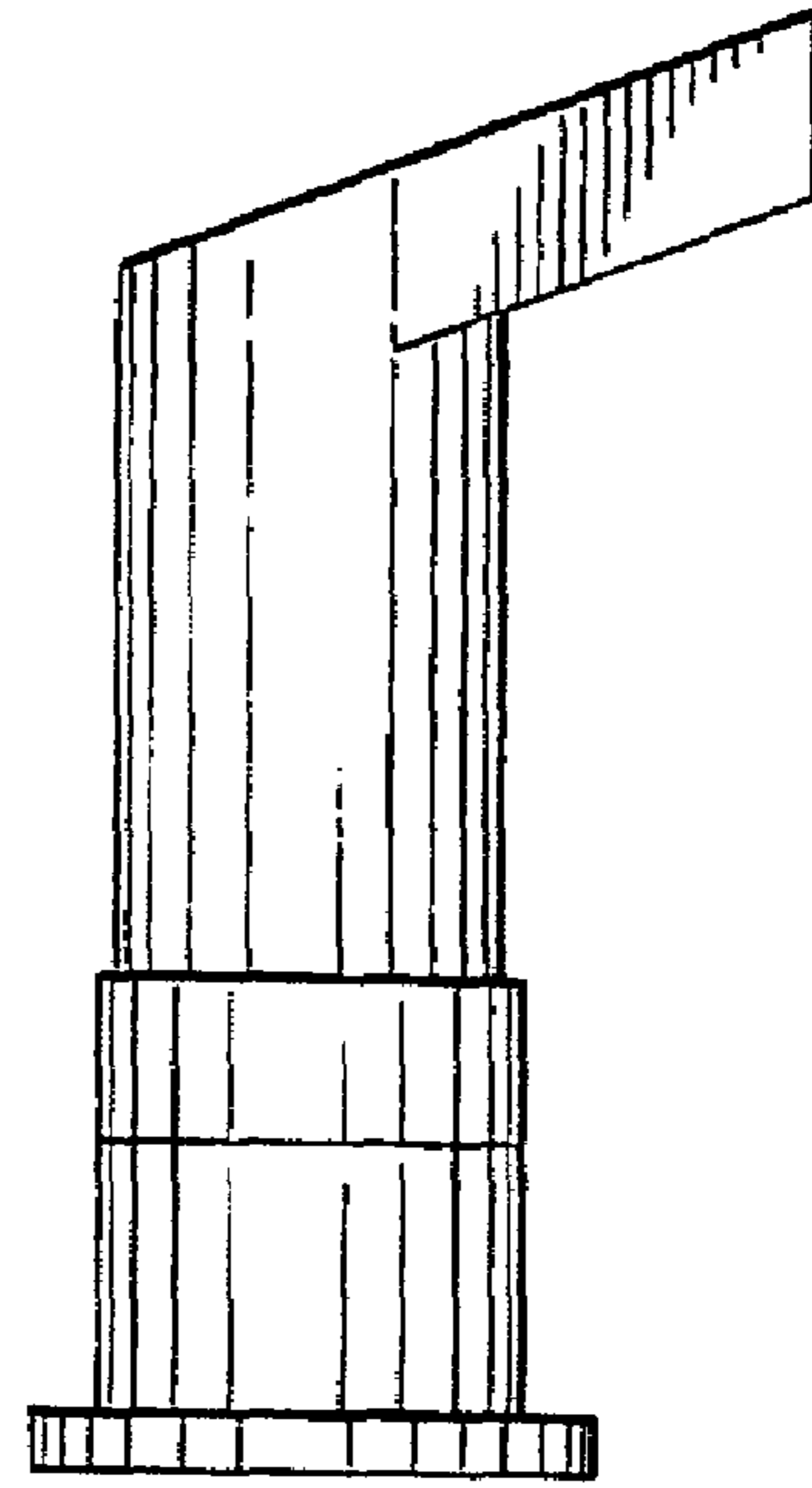


FIG. 6

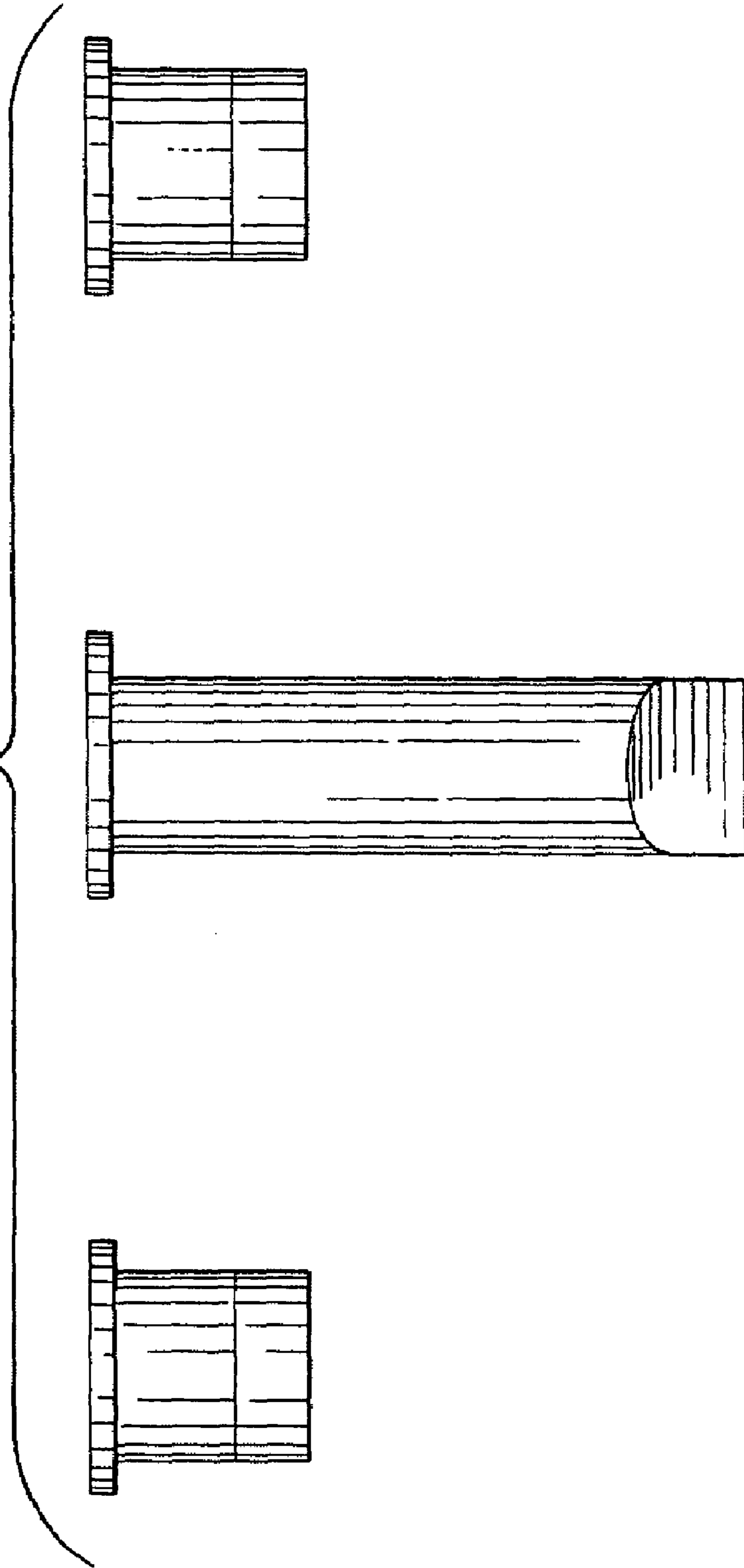


FIG. 7

