



US00D598980S

(12) **United States Design Patent**  
**Zetsche et al.**

(10) **Patent No.:** **US D598,980 S**

(45) **Date of Patent:** **\*\* Aug. 25, 2009**

(54) **MIXING FAUCET**

(75) Inventors: **Reinhard Zetsche**, München (DE);  
**Bruno Sacco**, Sindelfingen (DE)

(73) Assignee: **Hansa Metallwerke AG**, Stuttgart (DE)

(\*\*) Term: **14 Years**

(21) Appl. No.: **29/321,809**

(22) Filed: **Jul. 24, 2008**

(30) **Foreign Application Priority Data**

Feb. 1, 2008 (EM) ..... 000870654-0002

(51) **LOC (9) Cl.** ..... **23-01**

(52) **U.S. Cl.** ..... **D23/242**

(58) **Field of Classification Search** ..... D23/200,  
D23/238-257; 4/675-678; 137/801  
See application file for complete search history.

(56) **References Cited**

**U.S. PATENT DOCUMENTS**

|              |         |             |       |         |
|--------------|---------|-------------|-------|---------|
| D291,233 S * | 8/1987  | Jans        | ..... | D23/242 |
| D309,005 S * | 7/1990  | Strignano   | ..... | D23/242 |
| D312,495 S * | 11/1990 | Joerger     | ..... | D23/242 |
| D516,677 S * | 3/2006  | Haug et al. | ..... | D23/242 |
| D538,399 S * | 3/2007  | Miyamoto    | ..... | D23/241 |
| D572,346 S * | 7/2008  | Painter     | ..... | D23/242 |

**OTHER PUBLICATIONS**

U.S. Appl. No. 29/321,807, Zetsche, et al. filed Jul. 24, 2008, entitled, Mixing Faucet.

U.S. Appl. No. 29/321,811, Zetsche, et al. filed Jul. 24, 2008, entitled, Mixing Faucet.

U.S. Appl. No. 29/321,812, Zetsche, et al. filed Jul. 24, 2008, entitled, Mixing Faucet.

\* cited by examiner

*Primary Examiner*—T. Chase Nelson

*Assistant Examiner*—Mark Cavanna

(74) *Attorney, Agent, or Firm*—Factor & Lake, Ltd.

(57) **CLAIM**

The ornamental design for mixing faucet, as shown and described.

**DESCRIPTION**

FIG. 1 is a perspective view of the mixing faucet showing a new ornamental design thereof;

FIG. 2 is a front elevation view of the mixing faucet shown in FIG. 1;

FIG. 3 is a rear elevation view of the mixing faucet shown in FIG. 1;

FIG. 4 is a right side elevation view of the mixing faucet shown in FIG. 1;

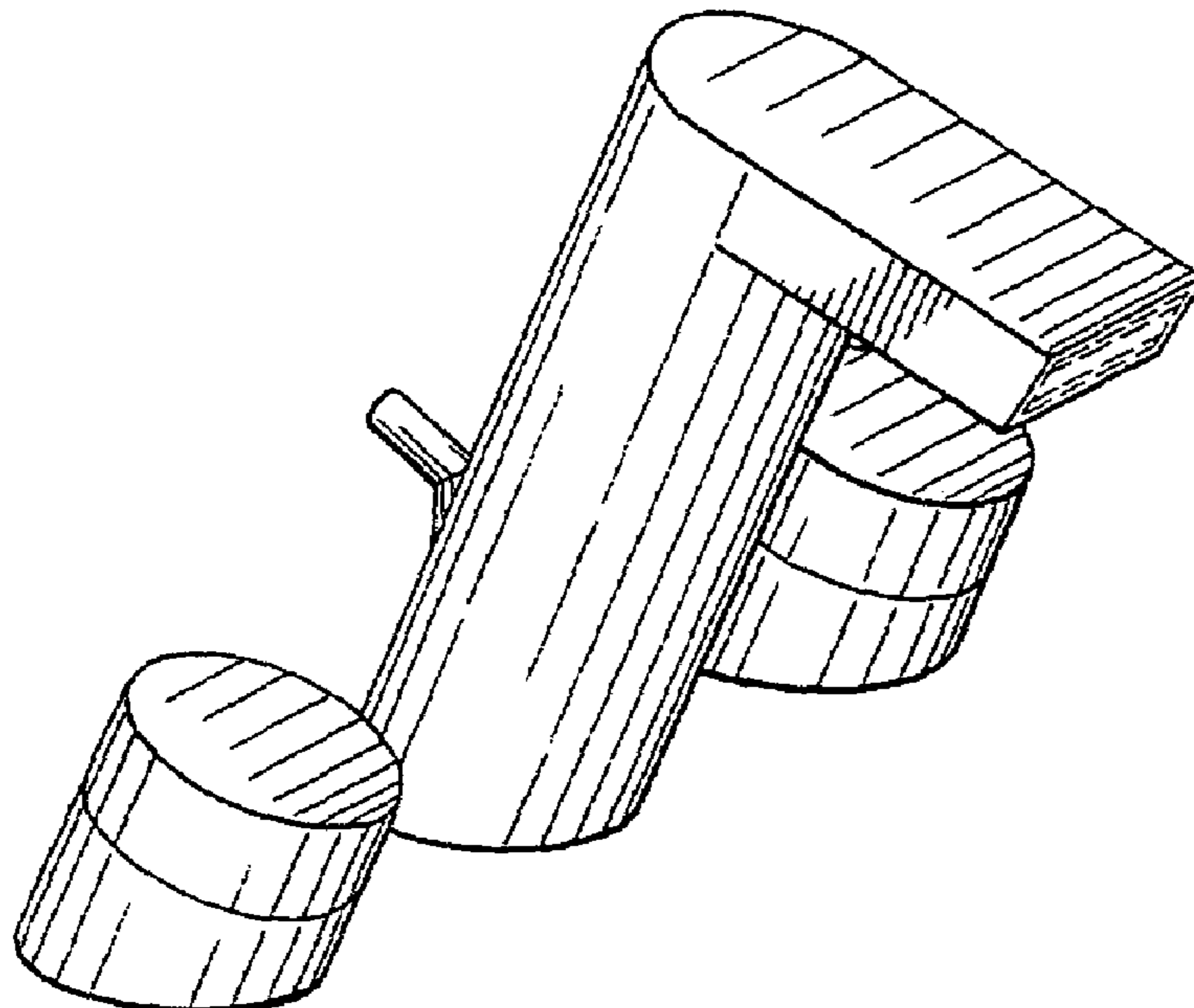
FIG. 5 is a left side elevation view of the mixing faucet shown in FIG. 1;

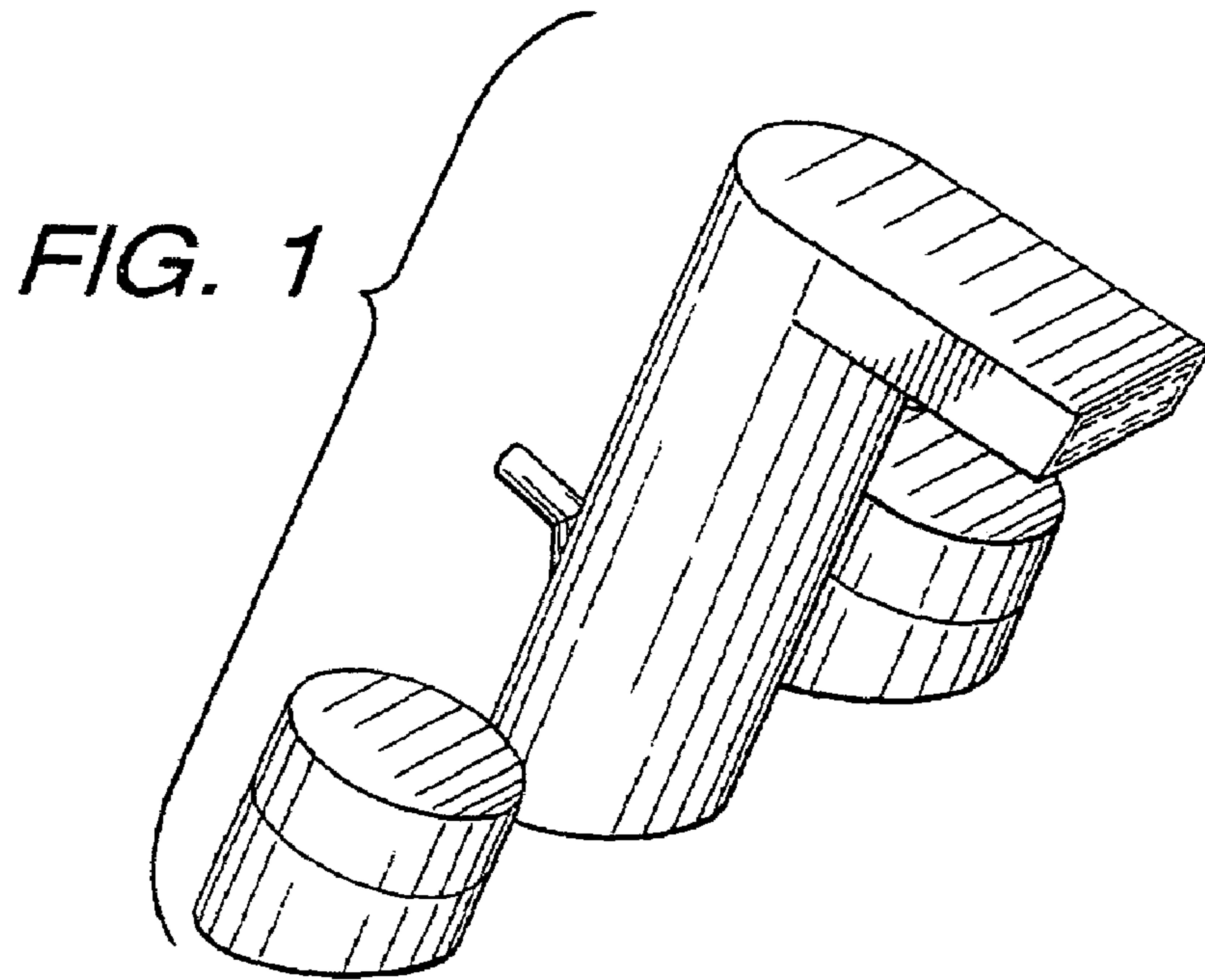
FIG. 6 is a top plan view of the mixing faucet shown in FIG. 1; and,

FIG. 7 is a bottom plan view of the mixing faucet shown in FIG. 1.

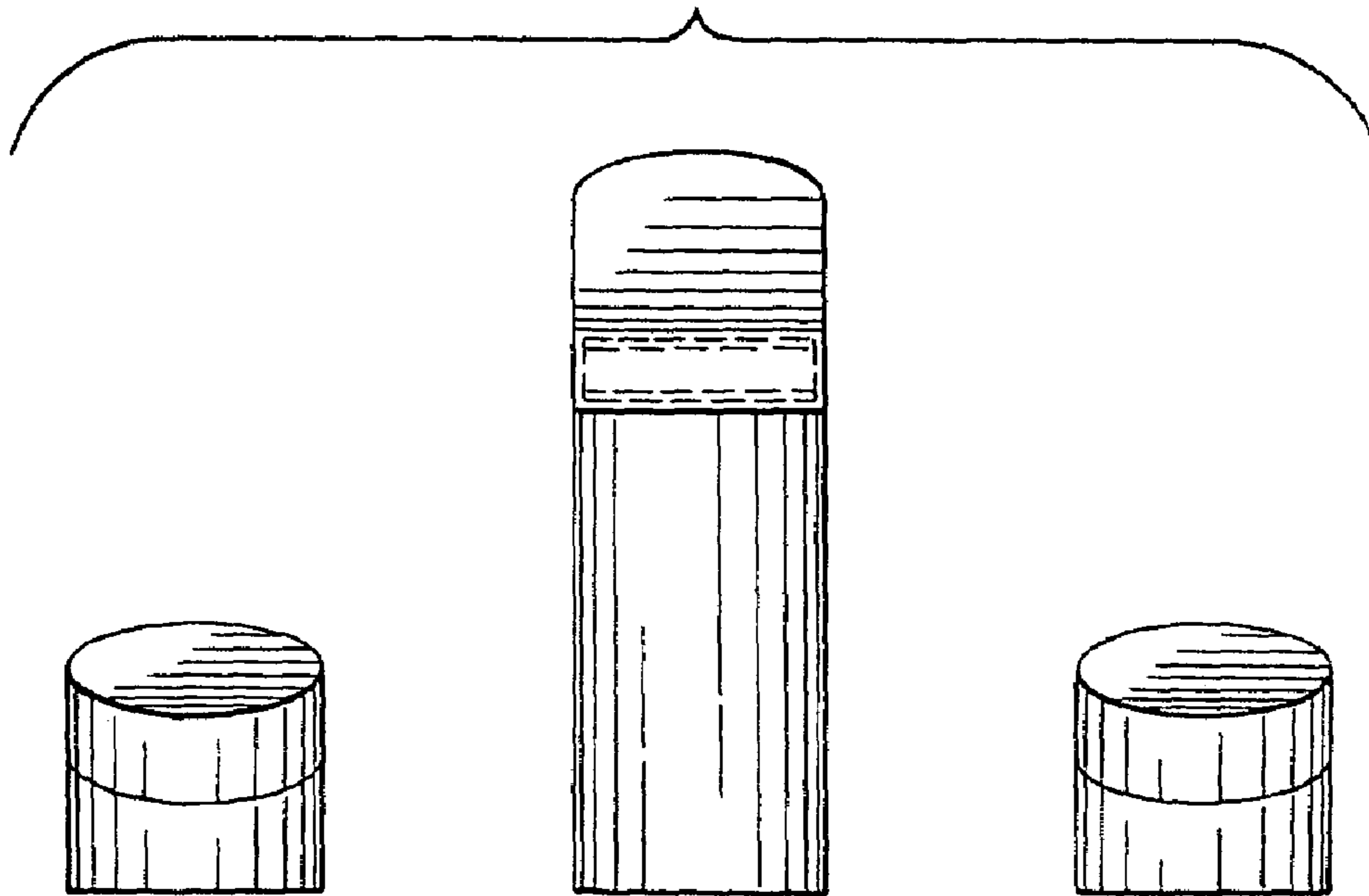
The broken lines are included for the purpose of illustrating a portion of the mixing faucet that forms no part of the claimed design.

**1 Claim, 3 Drawing Sheets**

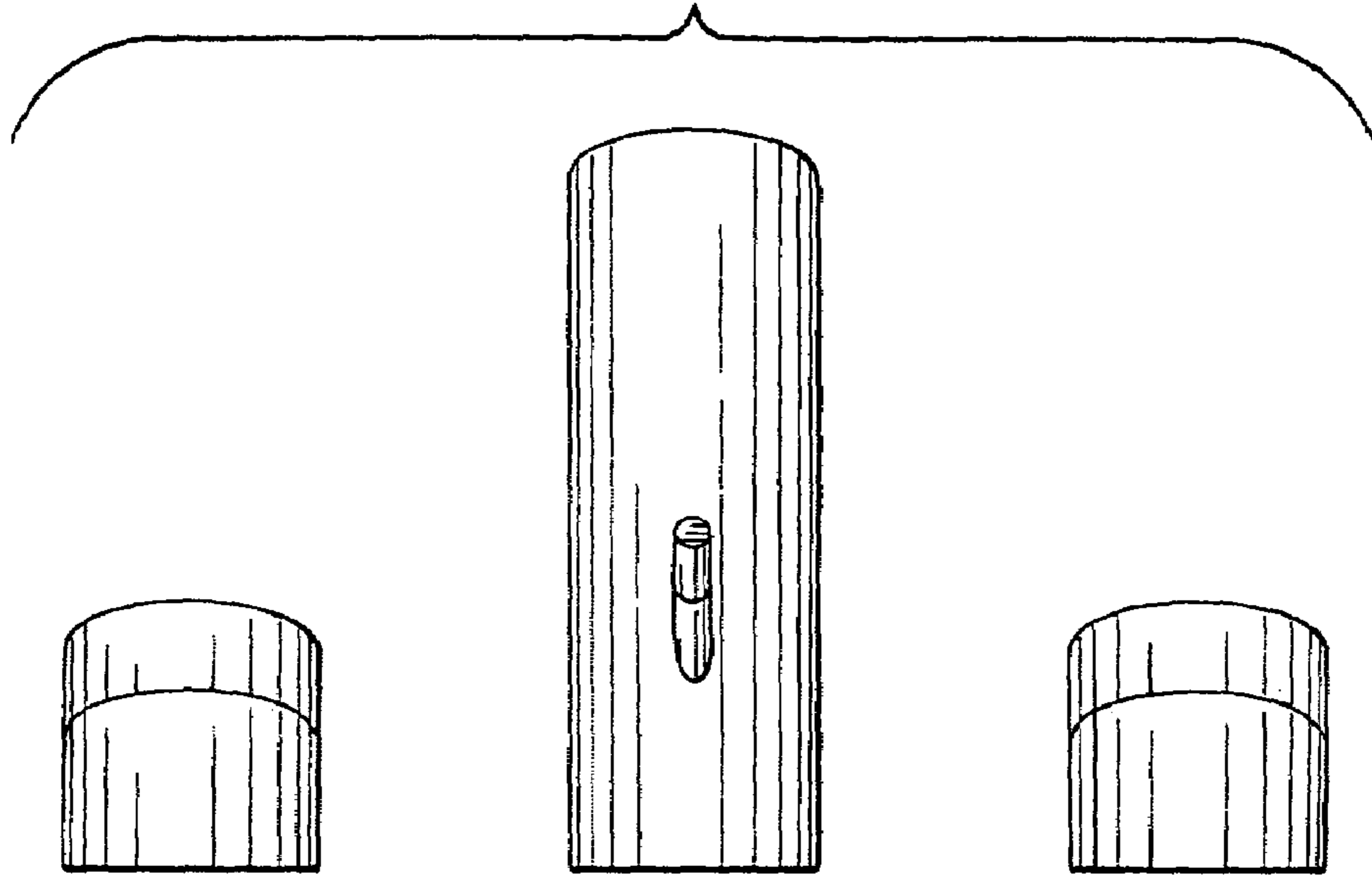




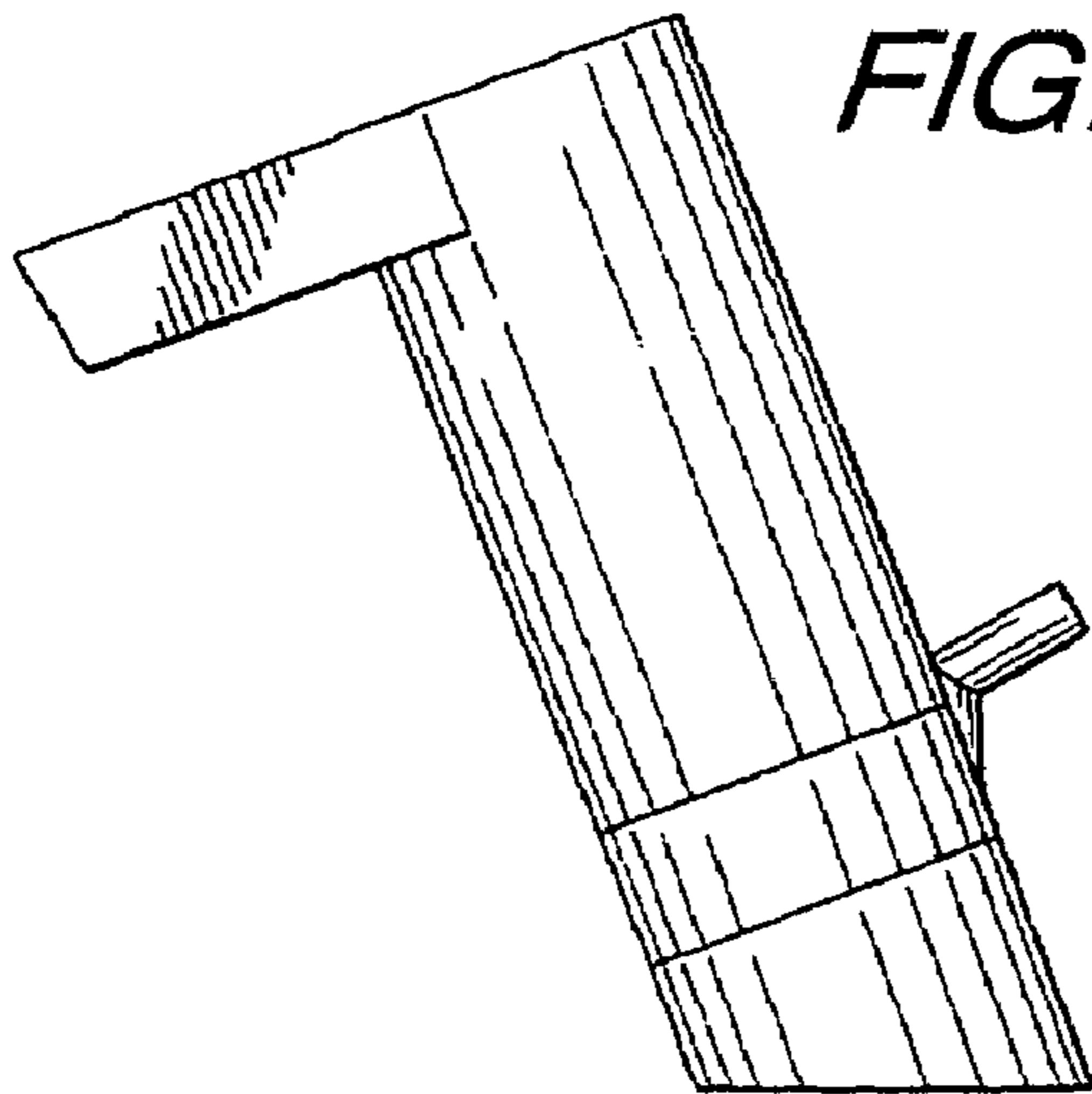
*FIG. 2*



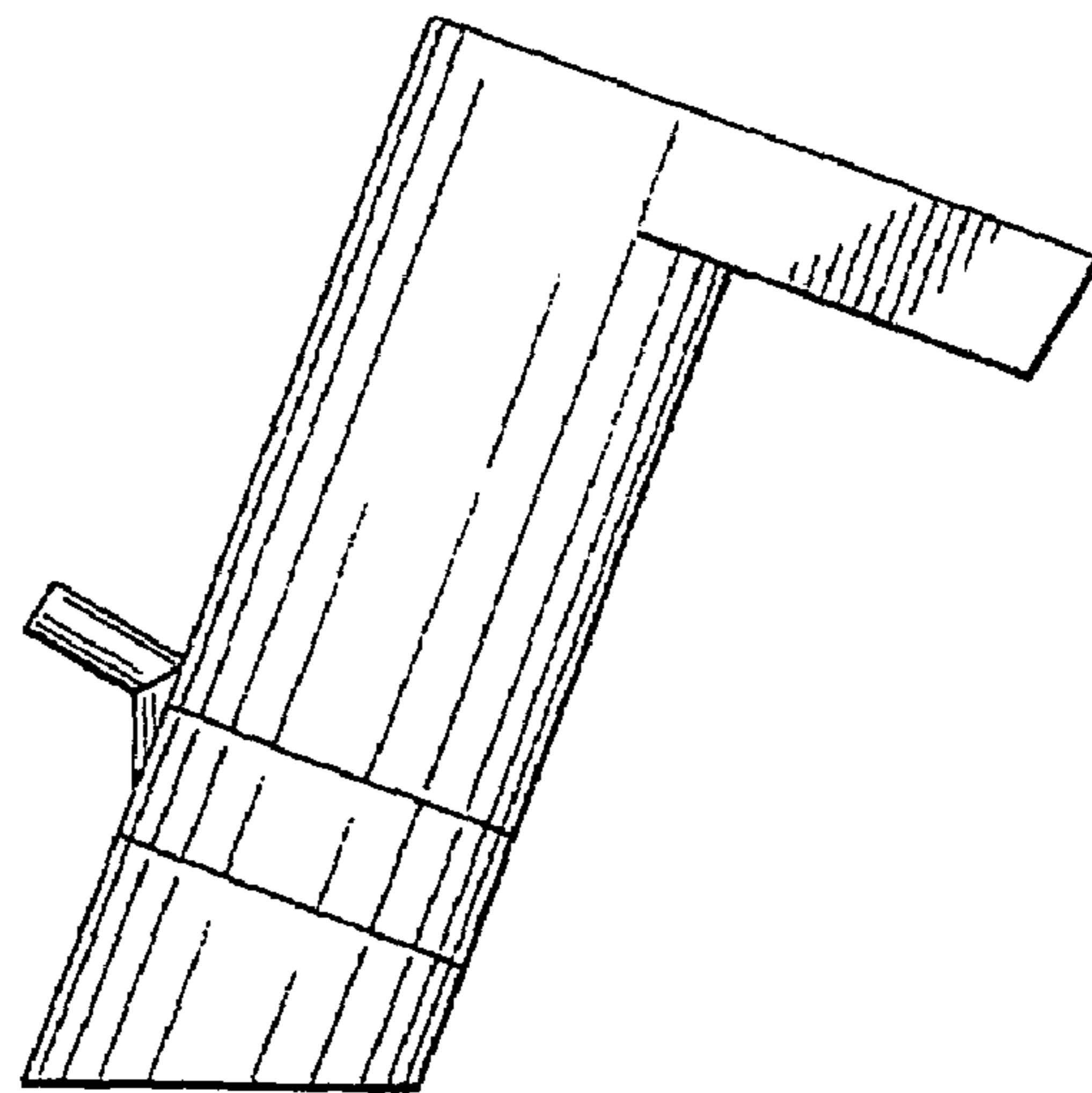
*FIG. 3*



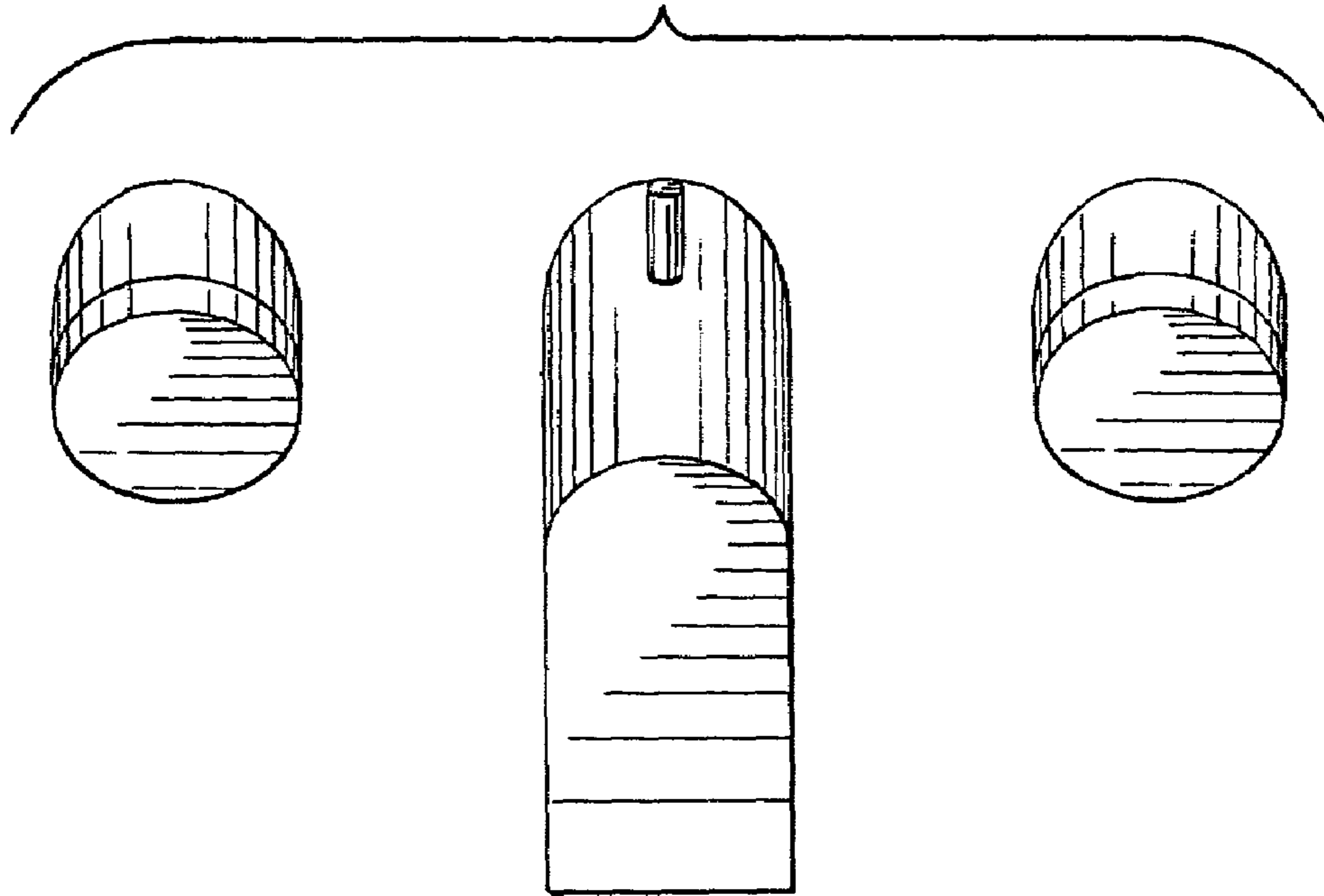
*FIG. 4*



*FIG. 5*



*FIG. 6*



*FIG. 7*

