



US00D598978S

(12) **United States Design Patent**
Parsons et al.

(10) **Patent No.:** **US D598,978 S**
(45) **Date of Patent:** **** Aug. 25, 2009**

(54) **ENCLOSURE FOR AUTOMATIC BATHROOM FLUSHER**

(75) Inventors: **Natan E. Parsons**, Brookline, MA (US);
Amy Parsons, legal representative,
Brookline, MA (US); **Fatih Guler**,
Winchester, MA (US); **Michael D.**
Cattafe, Bolton, MA (US)

(73) Assignee: **Sloan Valve Company**, Franklin Park,
IL (US)

(**) Term: **14 Years**

(21) Appl. No.: **29/308,736**

(22) Filed: **Jul. 2, 2008**

Related U.S. Application Data

(63) Continuation-in-part of application No. 11/716,546,
filed on Mar. 9, 2007, which is a continuation of appli-
cation No. 10/783,701, filed on Feb. 20, 2004, now Pat.
No. 7,188,822.

(51) **LOC (9) Cl.** **23-01**

(52) **U.S. Cl.** **D23/233**

(58) **Field of Classification Search** D23/233-237,
D23/260, 261; 251/129.04, 30.01-30.05,
251/45, 129.03; 137/377, 381, 382, 382.5;
4/302, 304, 305, 313, 406, DIG. 3; 220/724,
220/726

See application file for complete search history.

(56) **References Cited**

U.S. PATENT DOCUMENTS

207,482 A	8/1878	Blessing	137/188
1,501,331 A	7/1924	Gulick	137/245
1,518,942 A	12/1924	Spear	251/20.04
2,471,328 A	5/1949	Jones	137/403
2,619,122 A	11/1952	Hunter	251/120
2,619,986 A	12/1952	Goepfrich et al.	251/129.17

2,685,301 A	8/1954	Dreier	137/386
2,827,073 A	3/1958	Owens	137/426
2,842,400 A	7/1958	Booth et al.	239/569
2,877,791 A	3/1959	Rich	137/487
2,923,314 A	2/1960	Badger, Jr. et al.	137/414
2,986,155 A	5/1961	Doyle	137/218
2,999,191 A	9/1961	Muradian et al.	361/195
3,019,453 A	2/1962	Radcliffe	4/249
3,034,151 A	5/1962	Filliung	4/249
3,056,143 A	10/1962	Foster	4/249
3,058,485 A	10/1962	McQueen	137/403
3,098,635 A	7/1963	Delaporte et al.	251/54
3,242,940 A	3/1966	Sirotek	137/218
3,254,664 A	6/1966	Delaney et al.	137/244
3,285,261 A	11/1966	Chaney	137/505.12
3,318,565 A	5/1967	Cutler	251/45
3,369,205 A	2/1968	Hamrick	335/177
3,373,449 A	3/1968	Rusnok	4/305
3,386,462 A	6/1968	Walters	137/244
3,400,731 A	9/1968	McCormack	137/245

(Continued)

Primary Examiner—Cathron C. Brooks

Assistant Examiner—Maurice Stevens

(74) *Attorney, Agent, or Firm*—Iyan David Zitkovsky

(57) **CLAIM**

The ornamental design for an enclosure for automatic bath-
room flusher, as shown and described.

DESCRIPTION

FIG. 1 is a perspective view of an enclosure for an automatic
bathroom flusher located on a flusher body and showing our
new design;

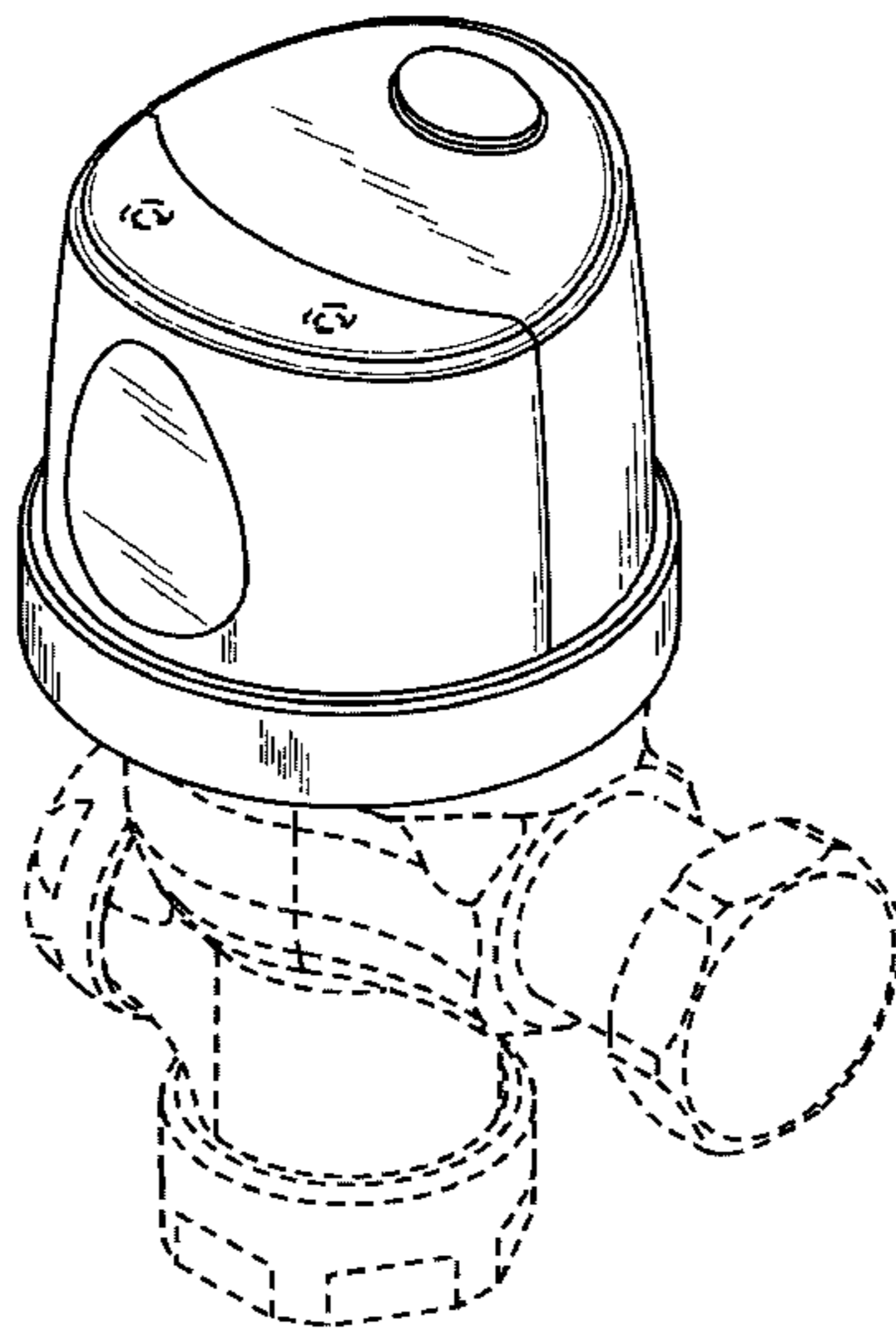
FIG. 2 is a front view thereof;

FIG. 3 is a side view thereof; and,

FIG. 4 is a top view thereof.

The broken line showing of a flusher body forms no part of the
claimed design.

1 Claim, 4 Drawing Sheets



US D598,978 S

Page 3

6,044,814 A	4/2000	Fuwa	123/90.11	6,340,032 B1	1/2002	Zosimadis	137/552
6,056,261 A	5/2000	Aparicio et al.	251/129.03	6,353,942 B1	3/2002	Pondelick et al.	4/431
6,127,671 A	10/2000	Parsons et al.	250/221	6,367,096 B1	4/2002	Quintana	4/427
6,155,231 A	12/2000	Adachi et al.	123/399	6,382,586 B1	5/2002	Wilson et al.	251/40
6,158,715 A	12/2000	Kirschbaum	251/129.06	6,450,478 B2	9/2002	Parsons et al.	251/129.04
6,161,726 A	12/2000	Parsons et al.	222/52	6,499,152 B2	12/2002	Johnson	3/302
6,182,689 B1	2/2001	Lauer et al.	137/550	6,609,698 B1	8/2003	Parsons et al.	251/129.17
6,212,697 B1	4/2001	Parsons et al.	4/302	6,619,614 B2	9/2003	Parsons et al.	251/129.04
6,216,730 B1	4/2001	Hall	137/550	6,643,853 B2	11/2003	Wilson et al.	4/249
6,227,219 B1	5/2001	Pino	137/1	6,659,420 B2	12/2003	Hwang	251/26
6,243,885 B1	6/2001	Lopez-Torres, Jr.	4/300	6,685,158 B2	2/2004	Parsons	251/30.01
6,260,576 B1	7/2001	Allen	137/550	6,871,835 B2	3/2005	Parsons	251/30.83
6,273,394 B1	8/2001	Vincent et al.	251/129.04	7,188,822 B2 *	3/2007	Marcichow et al.	251/30.01
6,293,516 B1	9/2001	Parsons et al.	251/129.04	7,325,781 B2 *	2/2008	Parsons et al.	251/129.04
6,299,127 B1	10/2001	Wilson	251/38	2007/0246671 A1	10/2007	Marcichow et al.	251/30.01
6,305,662 B1	10/2001	Parsons et al.	251/129.04				
D452,898 S *	1/2002	Johnson	D23/233				

* cited by examiner

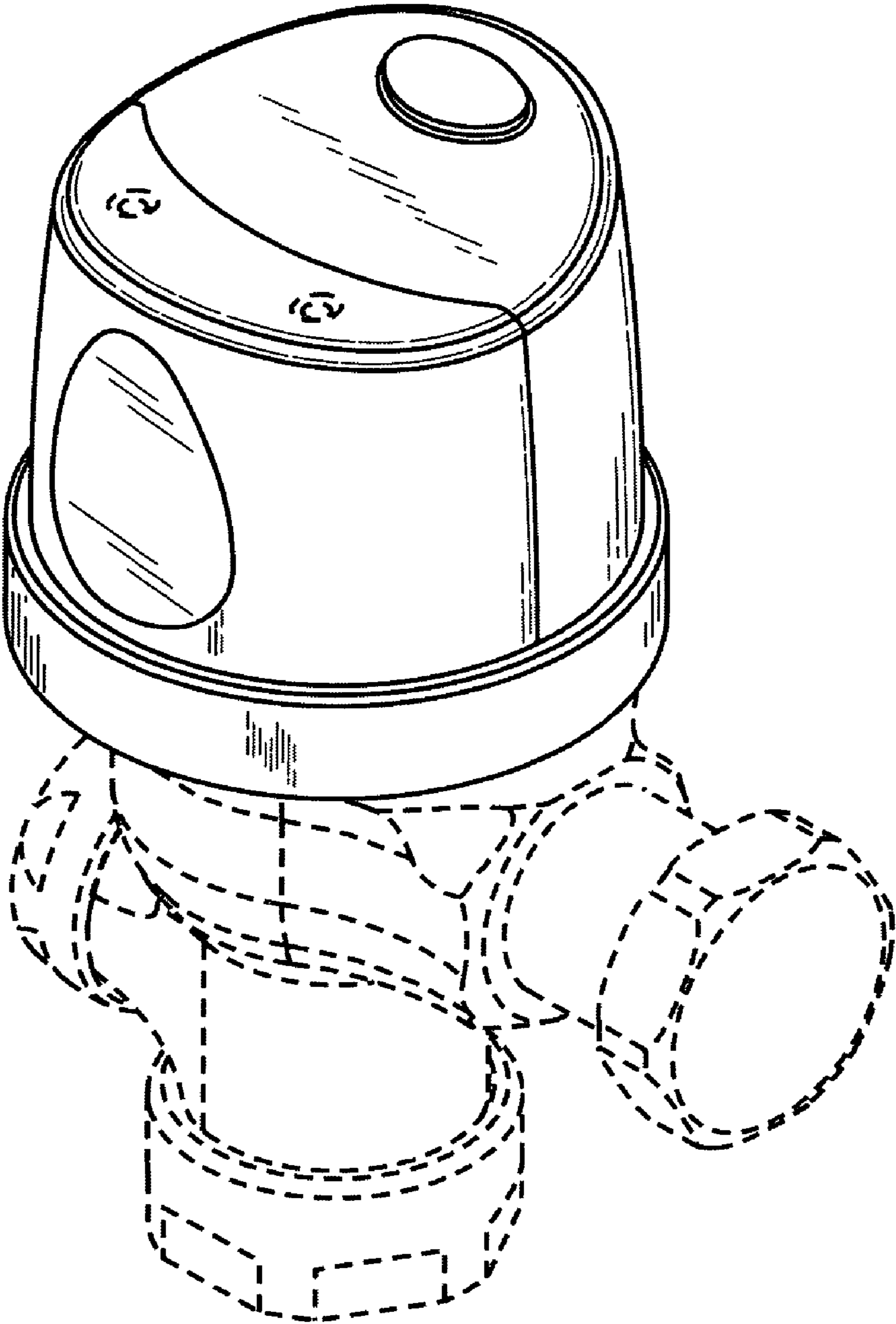


FIG. 1

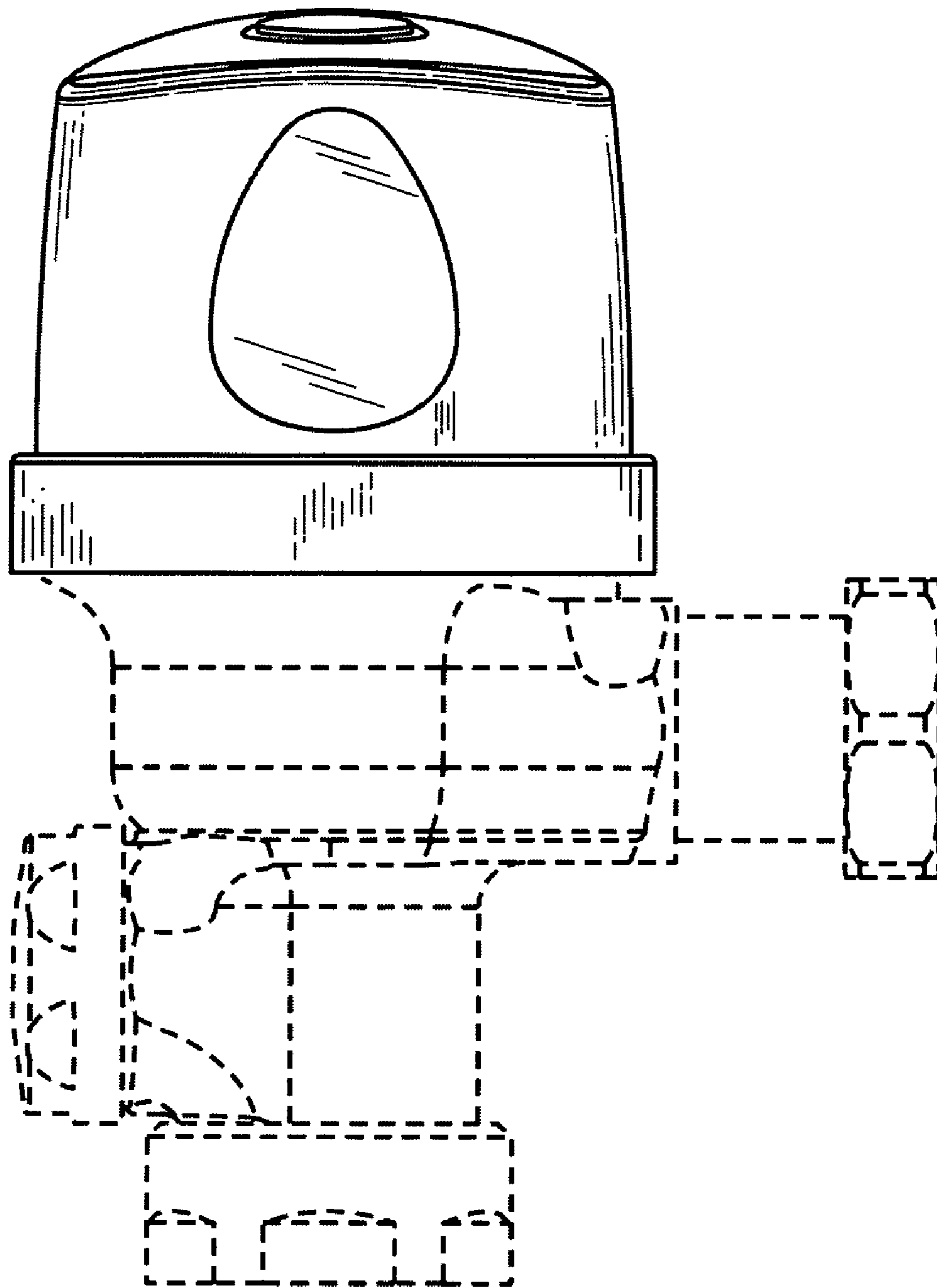


FIG. 2

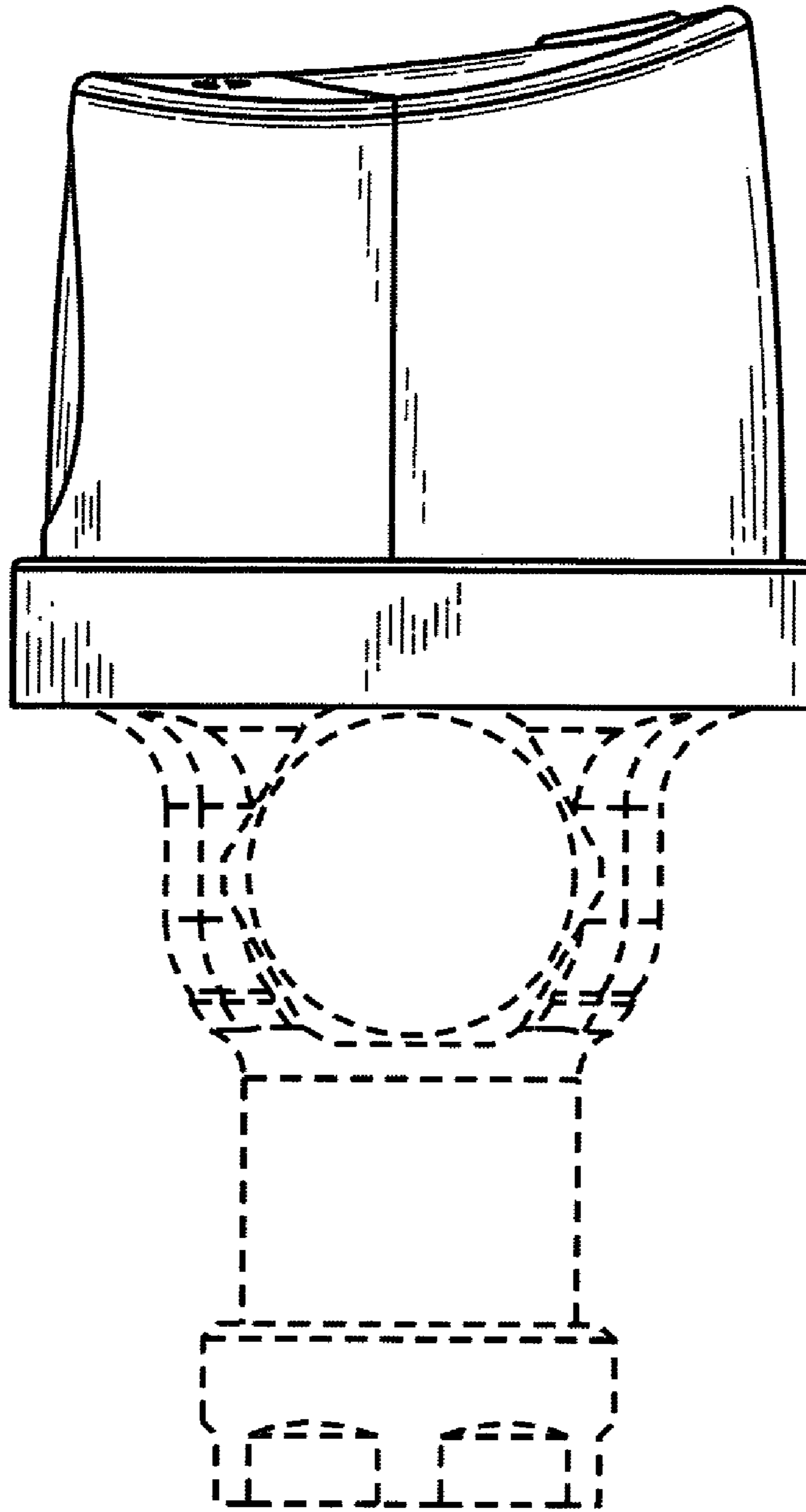


FIG. 3

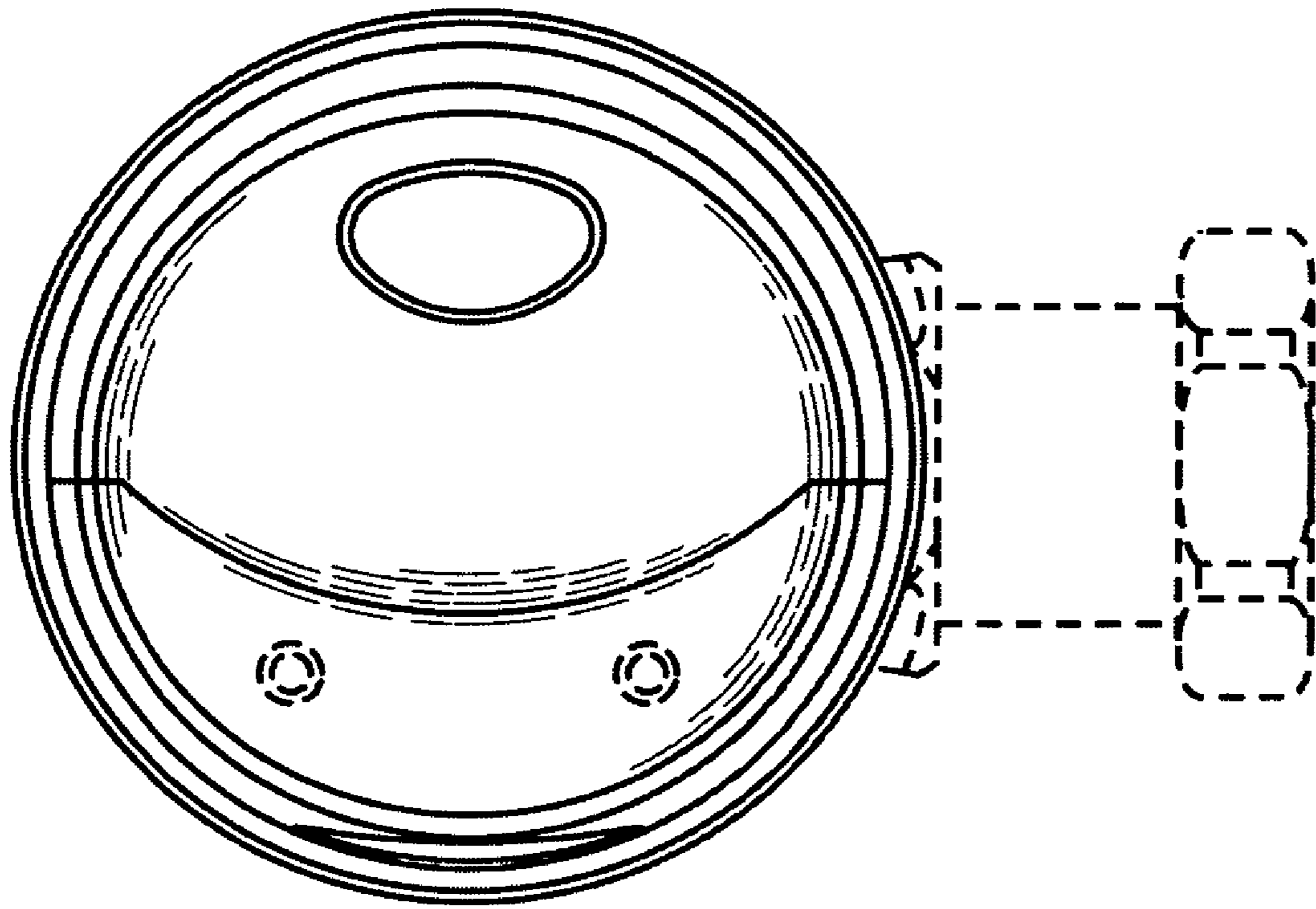


FIG. 4