



US00D598977S

(12) **United States Design Patent**
Parsons et al.

(10) **Patent No.:** **US D598,977 S**
(45) **Date of Patent:** **** Aug. 25, 2009**

(54) **ENCLOSURE FOR AUTOMATIC BATHROOM FLUSHER**

(75) Inventors: **Natan E. Parsons**, Brookline, MA (US); **Amy Parsons**, legal representative, Brookline, MA (US); **Fatih Guler**, Winchester, MA (US); **Michael D. Cattafe**, Bolton, MA (US); **Martin E. Marcichow**, Riverside, IL (US)

(73) Assignee: **Sloan Valve Company**, Franklin Park, IL (US)

(**) Term: **14 Years**

(21) Appl. No.: **29/308,730**

(22) Filed: **Jul. 2, 2008**

2,685,301 A	8/1954	Dreier	137/386
2,827,073 A	3/1958	Owens	137/426
2,842,400 A	7/1958	Booth et al.	239/569
2,877,791 A	3/1959	Rich	137/487
2,923,314 A	2/1960	Badger, Jr. et al.	137/414
2,986,155 A	5/1961	Doyle	137/218
2,999,191 A	9/1961	Muradian et al.	361/195
3,019,453 A	2/1962	Radcliffe	4/249
3,034,151 A	5/1962	Pilliung	4/249
3,056,143 A	10/1962	Foster	4/249
3,058,485 A	10/1962	McQueen	137/403
3,098,635 A	7/1963	Delaporte et al.	251/54
3,242,940 A	3/1966	Sirotek	137/218
3,254,664 A	6/1966	Delaney et al.	137/244
3,285,261 A	11/1966	Chaney	137/505.12
3,318,565 A	5/1967	Cutler	251/45
3,369,205 A	2/1968	Hamrick	335/177
3,373,449 A	3/1968	Rusnok	4/305
3,386,462 A	6/1968	Walters	137/244
3,400,731 A	9/1968	McCormack	137/245

Related U.S. Application Data

(63) Continuation-in-part of application No. 11/716,546, filed on Mar. 9, 2007, which is a continuation of application No. 10/783,701, filed on Feb. 20, 2004, now Pat. No. 7,188,822.

(51) **LOC (9) Cl.** **23-01**

(52) **U.S. Cl.** **D23/233**

(58) **Field of Classification Search** D23/233-237, D23/260, 261; 251/129.04, 30.01-30.05, 251/45, 129.03; 137/377, 381, 382, 382.5; 4/302, 304, 305, 313, 406, DIG. 3; 220/724, 220/726

See application file for complete search history.

(56) **References Cited**

U.S. PATENT DOCUMENTS

207,482 A	8/1878	Blessing	137/188
1,501,331 A	7/1924	Gulick	137/245
1,518,942 A	12/1924	Spear	251/20.04
2,471,328 A	5/1949	Jones	137/403
2,619,122 A	11/1952	Hunter	251/120
2,619,986 A	12/1952	Goepfrich et al.	251/129.17

(Continued)

Primary Examiner—Cathron C. Brooks

Assistant Examiner—Maurice Stevens

(74) *Attorney, Agent, or Firm*—Ivan David Zitkovsky

(57) **CLAIM**

The ornamental design for an enclosure for automatic bathroom flusher, as shown and described.

DESCRIPTION

FIG. 1 is a perspective view of an enclosure for an automatic bathroom flusher located on a flusher body and showing our new design;

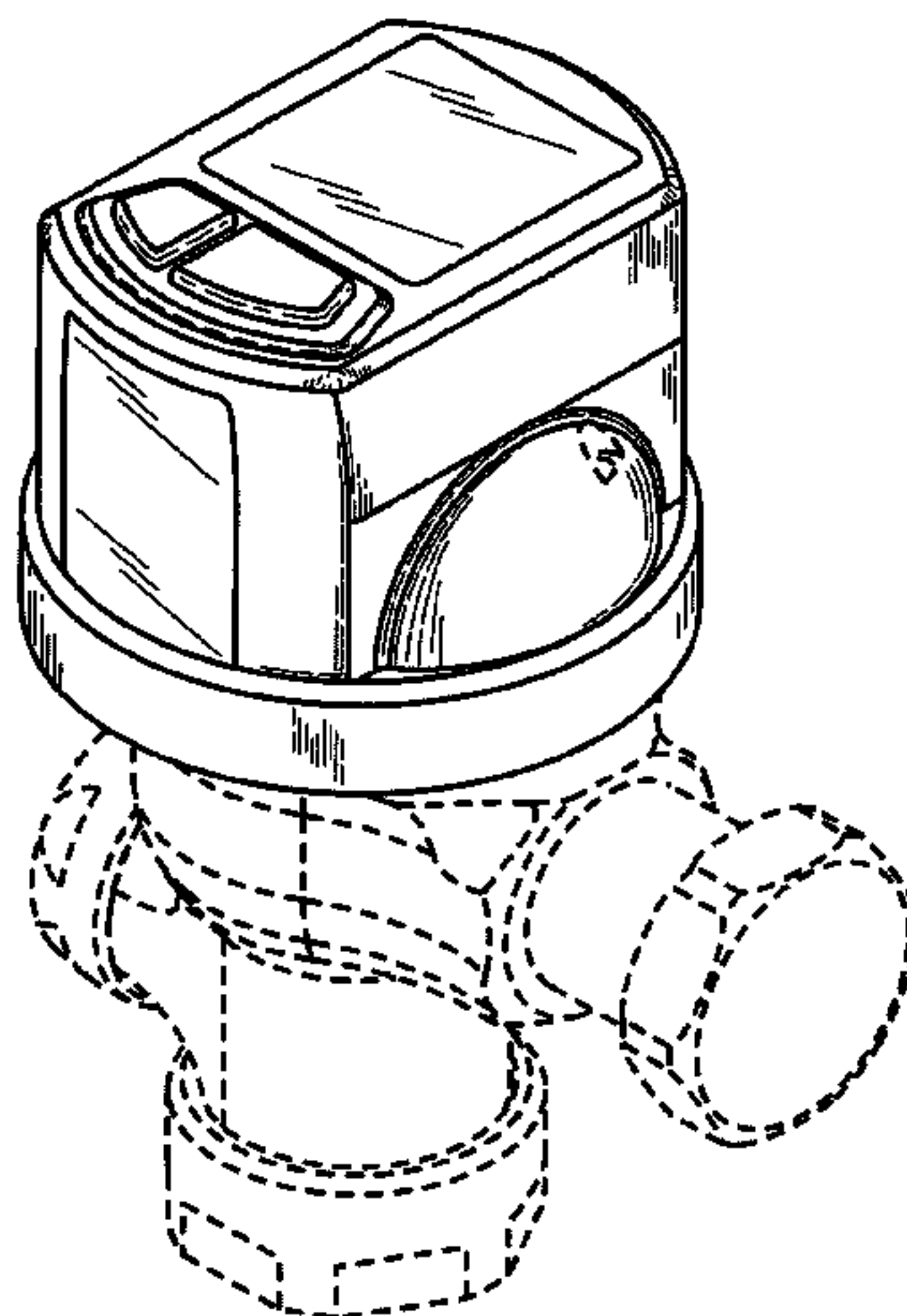
FIG. 2 is a front view thereof;

FIG. 3 is a side view thereof; and,

FIG. 4 is a top view thereof.

The broken line showing of a flusher body forms no part of the claimed design.

1 Claim, 4 Drawing Sheets



US D598,977 S

Page 2

U.S. PATENT DOCUMENTS					
3,495,803 A	2/1970	Schoepe et al. 251/25	5,074,520 A	12/1991	Lee et al. 251/40
3,495,804 A	2/1970	Muller et al. 251/36	5,109,885 A	5/1992	Tauscher 137/596.17
3,559,675 A	2/1971	Schoepe et al. 137/436	5,125,621 A	6/1992	Parsons et al. 251/30.03
3,586,017 A	6/1971	Walters 137/59	5,127,625 A	7/1992	Kleinhappl 251/129.17
3,606,241 A	9/1971	Bornholdt 251/52	5,169,118 A	12/1992	Whiteside 251/30.03
3,693,649 A	9/1972	Gordon et al. 137/414	5,188,337 A	2/1993	Mertens et al. 251/129.17
3,740,019 A	6/1973	Kessell et al. 251/129.17	5,195,720 A *	3/1993	Nortier et al. 251/129.04
3,763,881 A	10/1973	Jones 137/414	5,213,303 A	5/1993	Walker 251/30.02
3,778,023 A	12/1973	Billetter 251/30.01	5,213,305 A	5/1993	Whiteside et al. 251/40
3,791,619 A	2/1974	Pett 251/45	5,224,685 A	7/1993	Chiang et al. 251/129.04
3,802,462 A	4/1974	Trösch 137/556	5,232,194 A	8/1993	Saadi et al. 251/40
3,812,398 A	5/1974	Kozel et al. 251/331	5,244,179 A	9/1993	Wilson 251/30.03
3,821,967 A	7/1974	Sturman 137/624.15	5,245,024 A	9/1993	Scarpa et al. 536/56
3,842,857 A	10/1974	McCormack 137/242	5,251,188 A	10/1993	Parsons et al. 367/140
3,895,645 A	7/1975	Johnson 137/403	5,265,594 A	11/1993	Olsson et al. 128/204.18
4,010,769 A	3/1977	De Lorenzo et al. 137/312	5,265,843 A	11/1993	Kleinhappl 251/129.17
4,065,095 A	12/1977	Johnson 251/118	5,281,808 A	1/1994	Kunkel 251/221
4,097,786 A	6/1978	Lund 318/282	5,295,655 A	3/1994	Wilson et al. 251/40
4,105,186 A	8/1978	Eby 251/35	5,313,673 A	5/1994	Saadi et al. 4/313
4,135,696 A	1/1979	Saarem et al. 251/30.02	5,315,719 A	5/1994	Tsutsui et al. 4/300
4,141,091 A	2/1979	Pulvari 4/313	5,335,694 A	8/1994	Whiteside 137/625.37
4,206,901 A	6/1980	Williams 251/35	5,375,811 A	12/1994	Reinicke 251/129.16
4,231,287 A	11/1980	Smiley 92/94	D354,113 S *	1/1995	Nortier et al. D23/233
4,272,052 A	6/1981	Gidner 251/39	D355,478 S	2/1995	Allen et al. D23/249
4,280,680 A	7/1981	Payne 251/175	5,408,369 A	4/1995	Miura et al. 360/75
4,295,485 A	10/1981	Waterfield 137/74	D357,976 S	5/1995	Allen et al. D23/249
4,295,631 A	10/1981	Allen 251/30.03	5,412,816 A	5/1995	Paterson et al. 4/623
4,295,653 A	10/1981	Coles 277/320	5,431,181 A	7/1995	Saadi et al. 137/15.11
4,304,391 A	12/1981	Yamaguchi 251/129.05	5,433,245 A	7/1995	Prather et al. 137/554
4,309,781 A	1/1982	Lissau 4/304	5,456,279 A	10/1995	Parsons et al. 137/245
4,383,234 A	5/1983	Yatsushiro et al. 335/253	5,474,303 A	12/1995	Coles 277/317
4,505,451 A	3/1985	Jonas 251/285	5,481,187 A	1/1996	Marcott et al. 324/207.16
4,570,272 A	2/1986	Kawaguchi et al. 4/302	5,508,510 A	4/1996	Laverty et al. 250/221
4,597,895 A	7/1986	Bartlett 252/392	5,539,198 A	7/1996	McMichael et al. 250/221
4,604,735 A	8/1986	Parsons 367/93	5,548,119 A	8/1996	Nortier 250/341.1
4,609,178 A	9/1986	Baumann 251/229	5,555,912 A	9/1996	Saadi et al. 137/801
4,611,356 A	9/1986	Lin 4/301	5,566,702 A	10/1996	Philipp 137/1
4,709,427 A	12/1987	Laverty, Jr. 4/427	5,574,617 A	11/1996	Shimanuki et al. 361/154
4,729,342 A	3/1988	Loctin 119/163	5,583,434 A	12/1996	Moyers et al. 324/207.16
4,756,031 A	7/1988	Barrett 4/407	5,584,465 A	12/1996	Ochsenreiter 251/65
4,787,411 A	11/1988	Moldenhauer 137/244	5,600,237 A	2/1997	Nippert 324/207.16
4,793,588 A	12/1988	Laverty, Jr. 251/30.03	5,636,601 A	6/1997	Moriya et al. 123/90.11
4,796,662 A	1/1989	Hoffmann et al. 137/596.16	5,668,366 A	9/1997	Mauerhofer 250/221
4,805,247 A	2/1989	Laverty, Jr. 4/304	5,680,879 A	10/1997	Sheih et al. 137/240
4,823,414 A	4/1989	Piersimoni et al. 4/623	5,708,355 A	1/1998	Schrey 323/282
4,823,825 A	4/1989	Buchl 137/1	5,716,038 A	2/1998	Scarffe 251/30.03
4,826,132 A	5/1989	Moldenhauer 251/129.17	5,747,684 A	5/1998	Pace et al. 83/119 A
4,832,582 A	5/1989	Buffet 417/413.1	D396,090 S	7/1998	Marcichow et al. D23/233
4,839,039 A	6/1989	Parsons et al. 210/143	5,785,955 A	7/1998	Fischer 424/49
4,887,032 A	12/1989	Herrick 324/207.16	5,787,915 A	8/1998	Byers et al. 137/1
4,891,864 A	1/1990	Laverty, Jr. 91/399	5,787,924 A	8/1998	Cewers et al. 137/487.5
4,893,645 A	1/1990	Augustinas et al. 137/315.03	5,797,360 A	8/1998	Pischinger et al. 123/90.11
4,894,698 A	1/1990	Hijikigawa et al. 257/254	5,804,962 A	9/1998	Kather et al. 324/207.16
4,894,874 A	1/1990	Wilson 4/623	5,815,362 A	9/1998	Kahr et al. 361/153
4,910,487 A	3/1990	Kleinhappl 335/234	5,819,336 A	10/1998	Gilliam et al. 4/623
4,911,401 A	3/1990	Holcomb et al. 251/30.03	5,881,993 A	3/1999	Wilson et al. 251/40
4,921,208 A	5/1990	LaMarca 251/30.04	5,887,848 A	3/1999	Wilson 251/40
4,921,211 A	5/1990	Novak et al. 251/129.04	5,900,201 A	5/1999	Chatterjee et al. 264/109
4,932,430 A	6/1990	Fernstrom 137/85	5,901,384 A	5/1999	Sim 4/313
4,941,215 A	7/1990	Liu 4/406	5,905,625 A	5/1999	Schebitz 361/154
4,941,219 A	7/1990	Van Marcke 4/623	D411,609 S *	6/1999	Stoltenberg et al. D23/233
4,944,487 A	7/1990	Holtermann 251/129.17	5,941,505 A	8/1999	Nagel 251/335.2
4,965,448 A	10/1990	Morse 251/252.1	5,950,983 A	9/1999	Jahrling 251/129.04
4,977,929 A	12/1990	Chinnock et al. 137/863	5,964,192 A	10/1999	Ishii 123/90.11
4,988,074 A	1/1991	Najmolhoda 251/129.08	5,967,182 A	10/1999	Wilson 137/544
4,989,277 A	2/1991	Tsutsui et al. 4/367	5,975,370 A	11/1999	Durliat 222/153.06
4,998,673 A	3/1991	Pilolla 239/67	5,979,500 A	11/1999	Jahrling et al. 137/624.12
5,025,516 A	6/1991	Wilson 4/623	5,984,262 A	11/1999	Parsons et al. 251/129.04
5,027,850 A	7/1991	Peterson et al. 137/245	5,996,965 A	12/1999	Eichholz et al. 251/30.05
5,032,812 A	7/1991	Banick et al. 335/17	6,000,674 A	12/1999	Cheng 251/26
5,036,553 A	8/1991	Sanderson 4/313	6,019,343 A	2/2000	Tsai 251/30.02
			6,024,059 A	2/2000	Kamimaru et al. 123/90.11
			6,044,814 A	4/2000	Fuwa 123/90.11

US D598,977 S

Page 3

6,056,261 A	5/2000	Aparicio et al.	251/129.03	6,340,032 B1	1/2002	Zosimadis	137/552
6,127,671 A	10/2000	Parsons et al.	250/221	6,353,942 B1	3/2002	Pondelick et al.	4/431
6,155,231 A	12/2000	Adachi et al.	123/399	6,367,096 B1	4/2002	Quintana	4/427
6,158,715 A	12/2000	Kirschbaum	251/129.06	6,382,586 B1	5/2002	Wilson et al.	251/40
6,161,726 A	12/2000	Parsons et al.	222/52	6,450,478 B2	9/2002	Parsons et al.	251/129.04
6,182,689 B1	2/2001	Lauer et al.	137/550	6,499,152 B2	12/2002	Johnson	3/302
6,212,697 B1	4/2001	Parsons et al.	4/302	6,609,698 B1	8/2003	Parsons et al.	251/129.17
6,216,730 B1	4/2001	Hall	137/550	6,619,614 B2	9/2003	Parsons et al.	251/129.04
6,227,219 B1	5/2001	Pino	137/1	6,643,853 B2	11/2003	Wilson et al.	4/249
6,243,885 B1	6/2001	Lopez-Torres, Jr.	4/300	6,659,420 B2	12/2003	Hwang	251/26
6,260,576 B1	7/2001	Allen	137/550	6,685,158 B2	2/2004	Parsons	251/30.01
6,273,394 B1	8/2001	Vincent et al.	251/129.04	6,871,835 B2	3/2005	Parsons	251/30.83
6,293,516 B1	9/2001	Parsons et al.	251/129.04	7,188,822 B2 *	3/2007	Marcichow et al.	251/30.01
6,299,127 B1	10/2001	Wilson	251/38	7,325,781 B2 *	2/2008	Parsons et al.	251/129.04
6,305,662 B1	10/2001	Parsons et al.	251/129.04	2007/0246671 A1	10/2007	Marcichow et al.	251/30.01
D452,898 S *	1/2002	Johnson	D23/233				

* cited by examiner

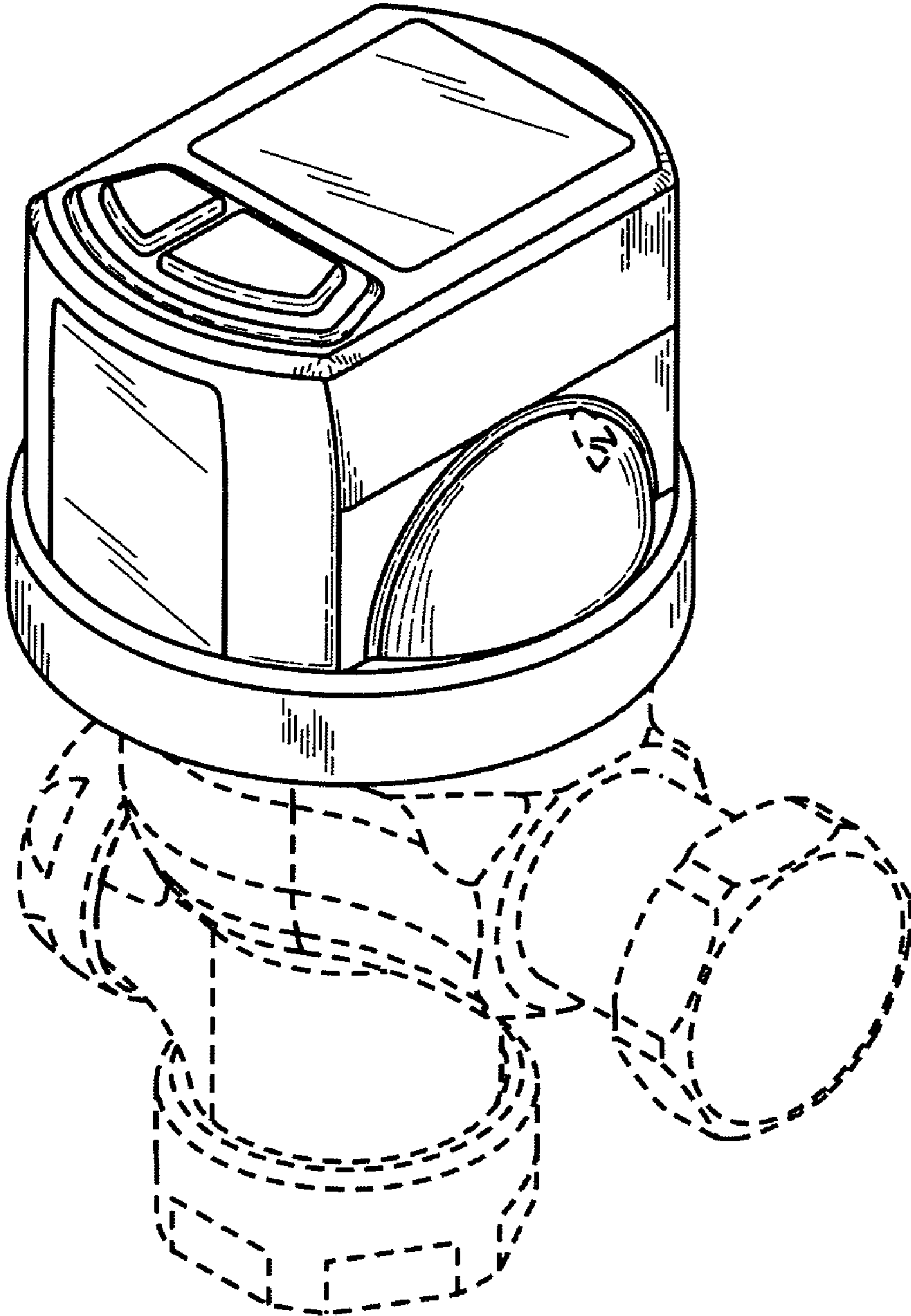


FIG. 1

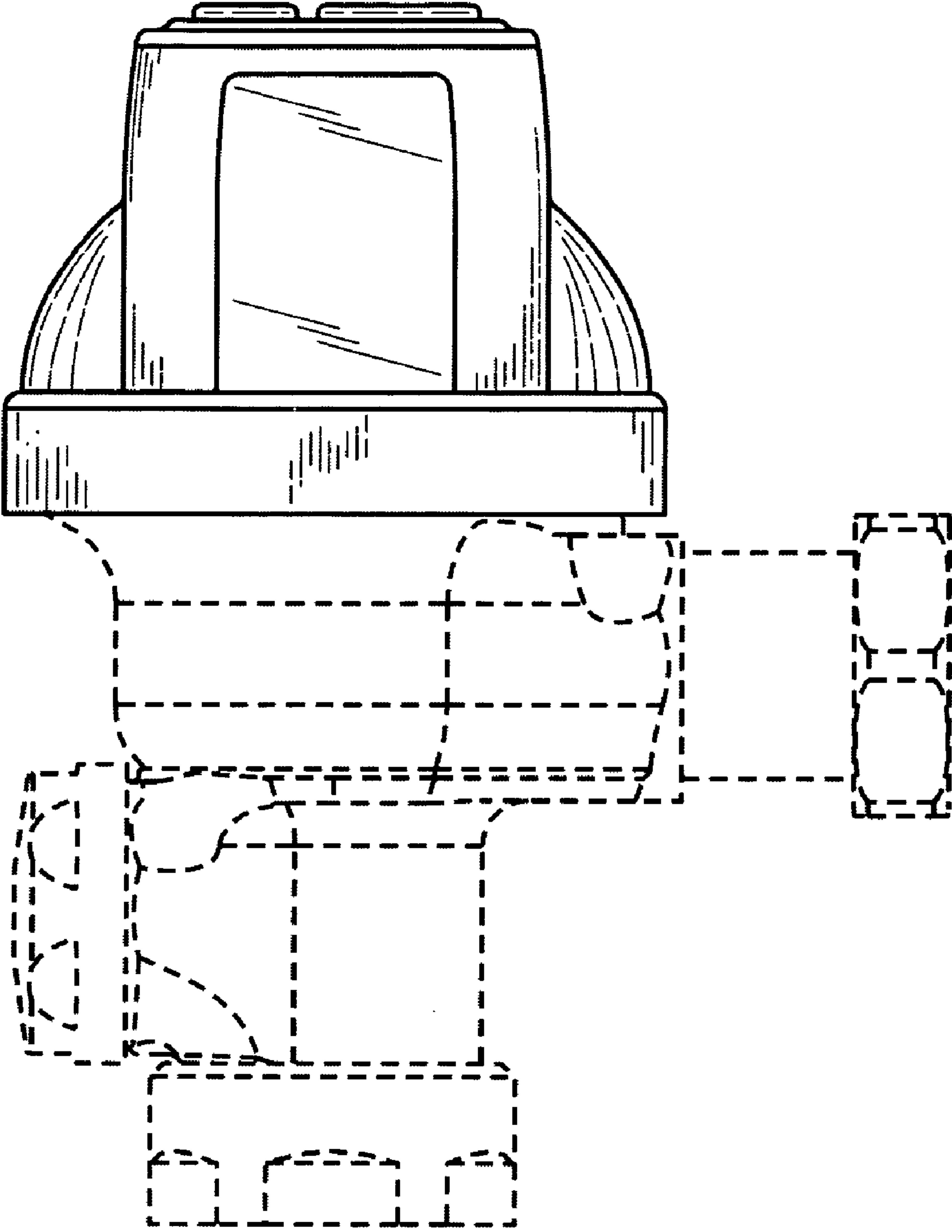


FIG. 2

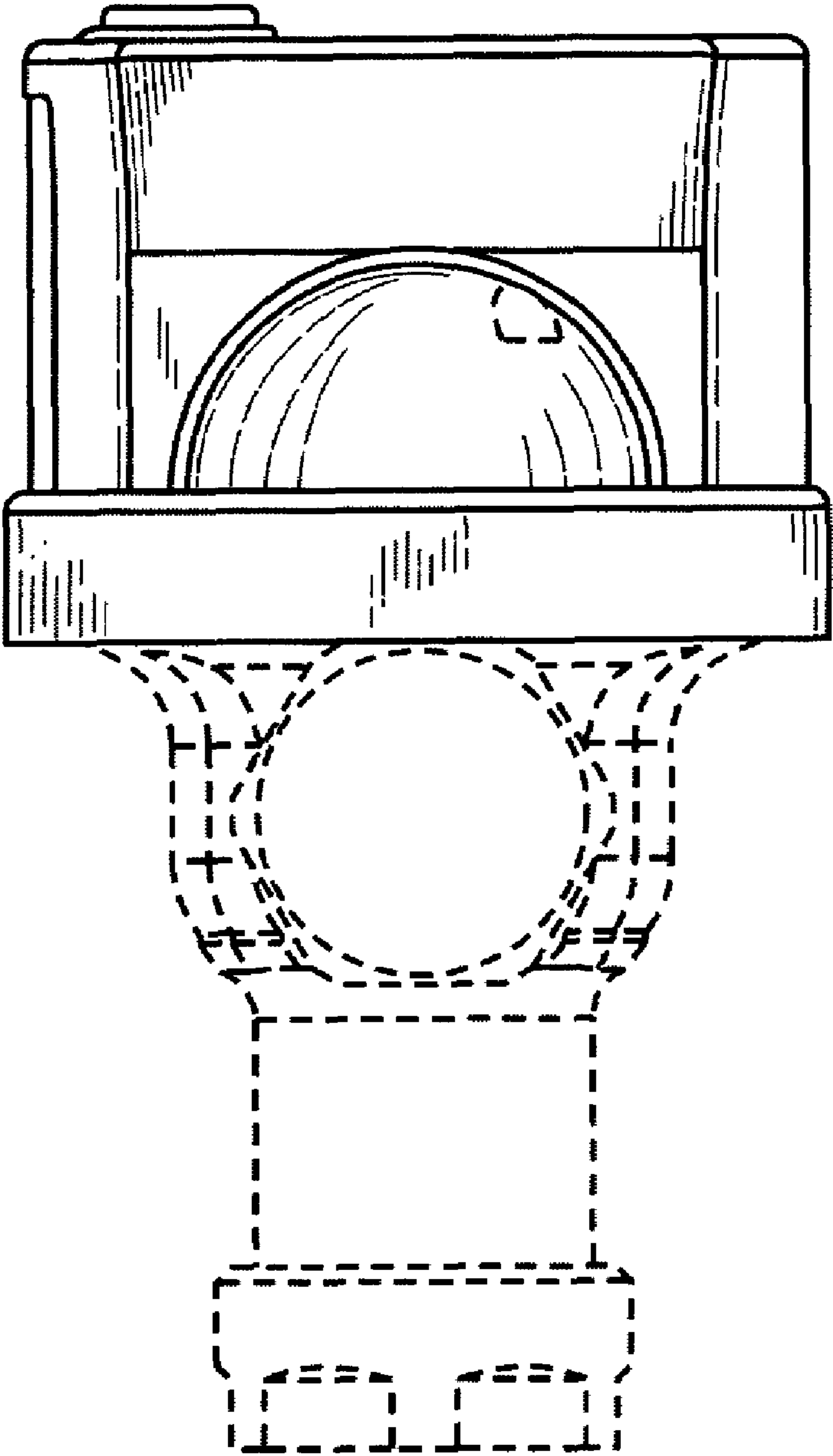


FIG. 3

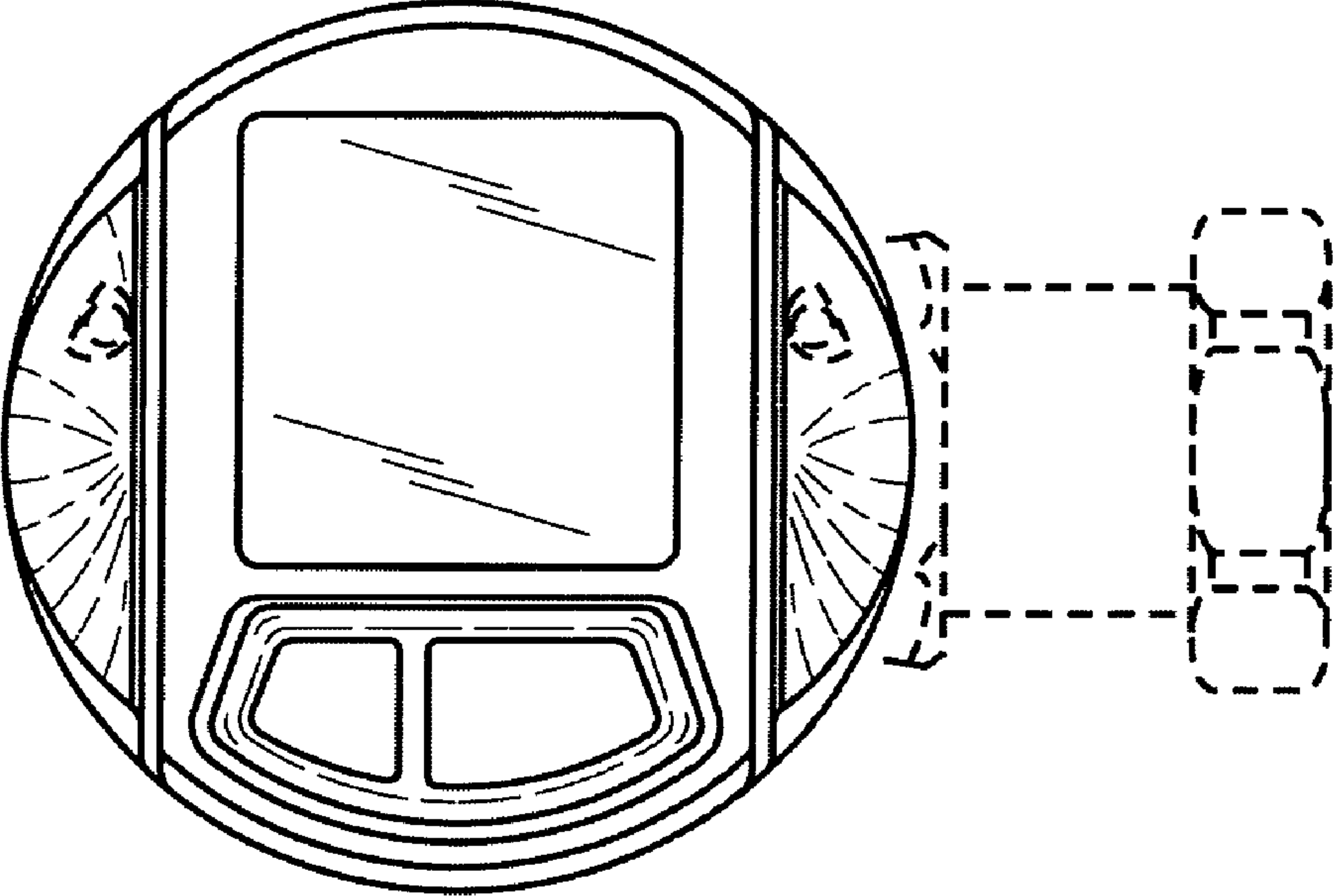


FIG. 4