



US00D598974S

(12) **United States Design Patent**
Parsons et al.

(10) **Patent No.:** **US D598,974 S**
(45) **Date of Patent:** **** Aug. 25, 2009**

(54) **AUTOMATIC BATHROOM FLUSHER COVER**

(75) Inventors: **Natan E. Parsons**, Brookline, MA (US);
Fatih Guler, Winchester, MA (US);
Michael D. Cattafe, Bolton, MA (US)

(73) Assignee: **Sloan Valve Company**, Franklin Park,
IL (US)

(**) Term: **14 Years**

(21) Appl. No.: **29/294,993**

(22) Filed: **Feb. 4, 2008**

Related U.S. Application Data

(63) Continuation of application No. 10/783,906, filed on
Feb. 20, 2004, now Pat. No. 7,325,781.

(51) **LOC (9) Cl.** **23-01**

(52) **U.S. Cl.** **D23/233**

(58) **Field of Classification Search** D23/233–237,
D23/244–249; 251/129.04, 30.01–30.05,
251/45, 129.03; 137/377, 382; 4/302, 304,
4/305, 313, 406, DIG. 3
See application file for complete search history.

(56) **References Cited**

U.S. PATENT DOCUMENTS

207,482 A	8/1878	Blessing	137/188
1,501,331 A	7/1924	Gulick	137/245
1,518,942 A	12/1924	Spear	251/20.04
2,471,328 A	5/1949	Jones	137/403
2,619,122 A	11/1952	Hunter	251/120
2,619,986 A	12/1952	Goepfrich et al.	251/129.17
2,685,301 A	8/1954	Dreier	137/386
2,827,073 A	3/1958	Owens	137/426
2,842,400 A	7/1958	Booth et al.	239/569
2,877,791 A	3/1959	Rich	137/487
2,923,314 A	2/1960	Badger, Jr. et al.	137/414
2,986,155 A	5/1961	Doyle	137/218
2,999,191 A	9/1961	Muradian et al.	361/195
3,019,453 A	2/1962	Radcliffe	4/249
3,034,151 A	5/1962	Filliung	4/249

3,056,143 A	10/1962	Foster	4/249
3,058,485 A	10/1962	McQueen	137/403
3,098,635 A	7/1963	Delaporte et al.	251/54
3,242,940 A	3/1966	Sirotek	137/218
3,254,664 A	6/1966	Delaney et al.	137/244
3,285,261 A	11/1966	Chaney	137/505.12
3,318,565 A	5/1967	Cutler	251/45
3,369,205 A	2/1968	Hamrick	335/177
3,373,449 A	3/1968	Rusnok	4/305
3,386,462 A	6/1968	Walters	137/244
3,400,731 A	9/1968	McCormack	137/245
3,495,803 A	2/1970	Schoepe et al.	251/25
3,495,804 A	2/1970	Muller et al.	251/36
3,559,675 A	2/1971	Schoepe et al.	137/436
3,586,017 A	6/1971	Walters	137/59
3,606,241 A	9/1971	Bornholdt	251/52
3,693,649 A	9/1972	Gordon et al.	137/414
3,740,019 A	6/1973	Kessell et al.	251/129.17
3,763,881 A	10/1973	Jones	137/414
3,778,023 A	12/1973	Billeter	251/30.01
3,791,619 A	2/1974	Pett	251/45
3,802,462 A	4/1974	Trösch	137/556
3,812,398 A	5/1974	Kozel et al.	251/331
3,821,967 A	7/1974	Sturman	137/624.15

(Continued)

Primary Examiner—Cathron C. Brooks

Assistant Examiner—Maurice Stevens

(74) *Attorney, Agent, or Firm*—Ivan Daivd Zitkovsky

(57) **CLAIM**

The ornamental design for an automatic bathroom flusher cover, as shown and described.

DESCRIPTION

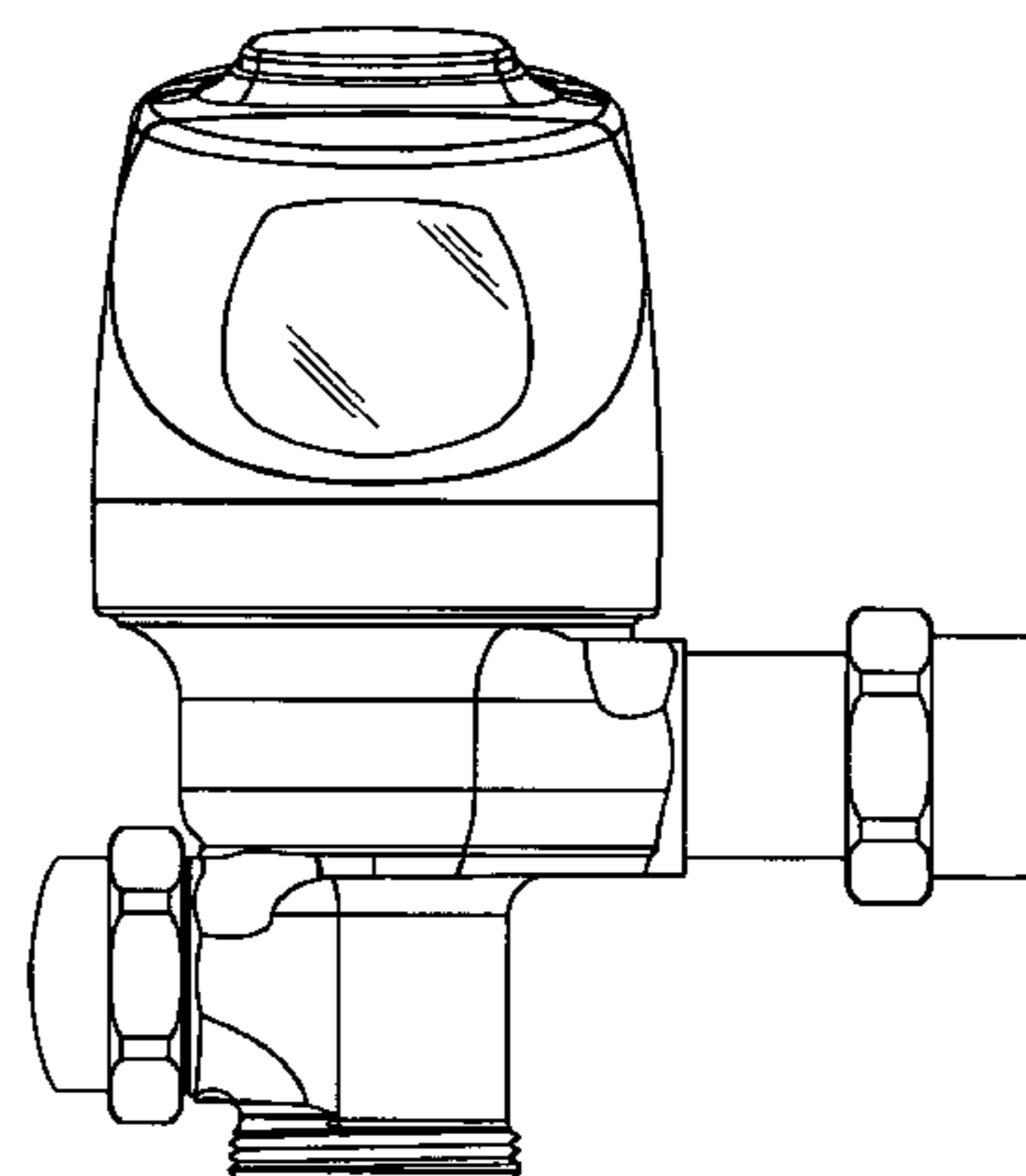
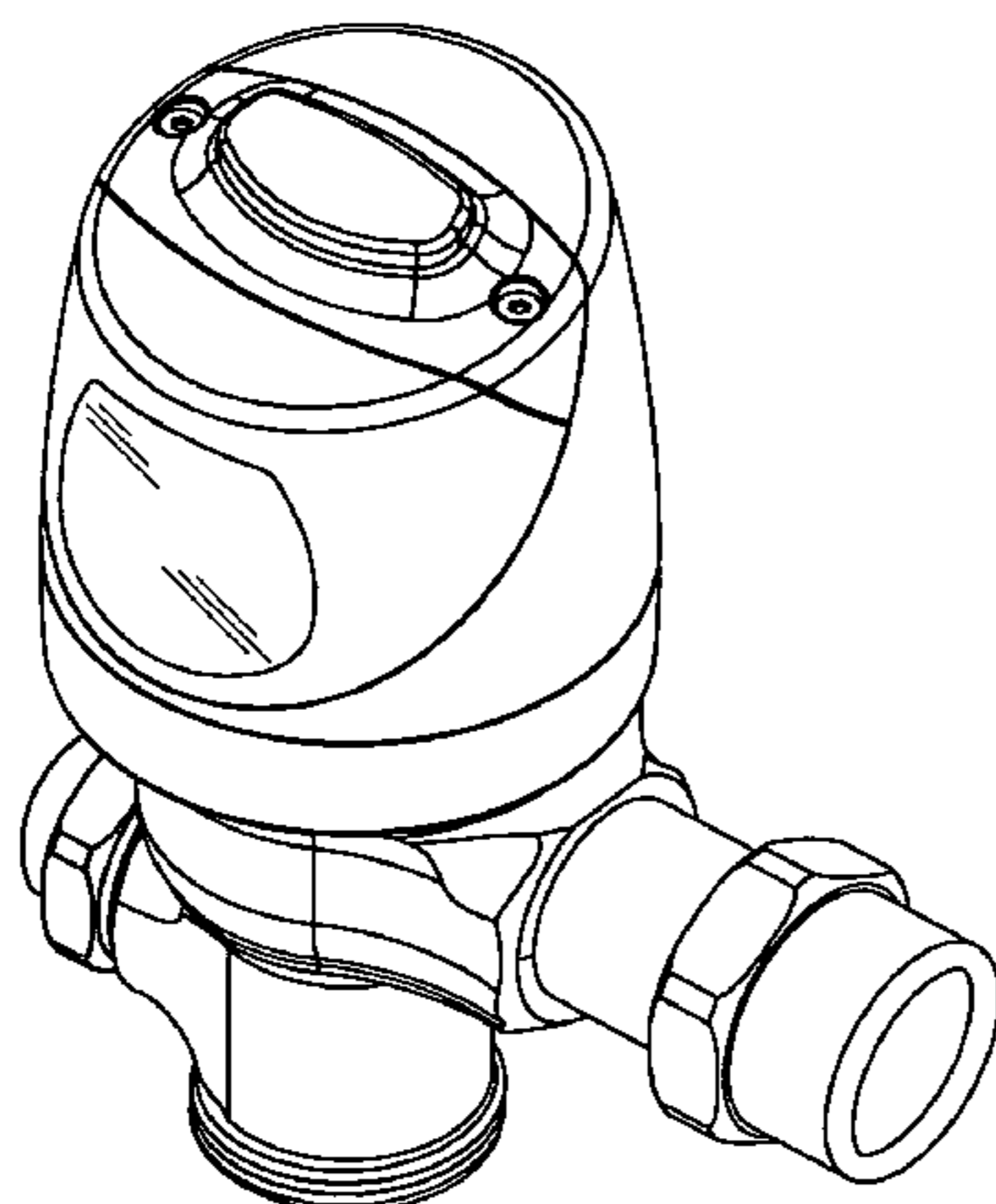
FIG. 1 is a perspective view of an automatic bathroom flusher cover located on a flusher body showing my new design for the cover;

FIG. 2 is a front view thereof;

FIG. 3 is a top view thereof; and,

FIG. 4 is a perspective view of the cover only, shown separately for completeness of illustration.

1 Claim, 2 Drawing Sheets



US D598,974 S

Page 2

U.S. PATENT DOCUMENTS			
3,842,857 A	10/1974	McCormack	137/242
3,895,645 A	7/1975	Johnson	137/403
4,010,769 A	3/1977	De Lorenzo et al.	137/312
4,065,095 A	12/1977	Johnson	251/118
4,097,786 A	6/1978	Lund	318/282
4,105,186 A	8/1978	Eby	251/35
4,135,696 A	1/1979	Saarem et al.	251/30.02
4,141,091 A	2/1979	Pulvari	4/313
4,206,901 A	6/1980	Williams	251/35
4,231,287 A	11/1980	Smiley	92/94
4,272,052 A	6/1981	Gidner	251/39
4,280,680 A	7/1981	Payne	251/175
4,295,485 A	10/1981	Waterfield	137/74
4,295,631 A	10/1981	Allen	251/30.03
4,295,653 A	10/1981	Coles	277/320
4,304,391 A	12/1981	Yamaguchi	251/129.05
4,309,781 A	1/1982	Lissau	4/304
4,383,234 A	5/1983	Yatsushiro et al.	335/253
4,505,451 A	3/1985	Jonas	251/285
4,570,272 A	2/1986	Kawaguchi et al.	4/302
4,597,895 A	7/1986	Bartlett	252/392
4,604,735 A	8/1986	Parsons	367/93
4,609,178 A	9/1986	Baumann	251/229
4,611,356 A	9/1986	Lin	4/301
4,709,427 A	12/1987	Laverty, Jr.	4/427
4,729,342 A	3/1988	Loctin	119/163
4,756,031 A	7/1988	Barrett	4/407
4,787,411 A	11/1988	Moldenhauer	137/244
4,793,588 A	12/1988	Laverty, Jr.	251/30.03
4,796,662 A	1/1989	Hoffmann et al.	137/596.16
4,805,247 A	2/1989	Laverty, Jr.	4/304
4,823,414 A	4/1989	Piersimoni et al.	4/623
4,823,825 A	4/1989	Buchl	137/1
4,826,132 A	5/1989	Moldenhauer	251/129.17
4,832,582 A	5/1989	Buffet	417/413.1
4,839,039 A	6/1989	Parsons et al.	210/143
4,887,032 A	12/1989	Hetrick	324/207.16
4,891,864 A	1/1990	Laverty, Jr.	91/399
4,893,645 A	1/1990	Augustinas et al.	137/315.03
4,894,698 A	1/1990	Hijikigawa et al.	257/254
4,894,874 A	1/1990	Wilson	4/623
4,910,487 A	3/1990	Kleinhappl	335/234
4,911,401 A	3/1990	Holcomb et al.	251/30.03
4,921,208 A	5/1990	LaMarca	251/30.04
4,921,211 A	5/1990	Novak et al.	251/129.04
4,932,430 A	6/1990	Fernstrom	137/85
4,941,215 A	7/1990	Liu	4/406
4,941,219 A	7/1990	Van Marcke	4/623
4,944,487 A	7/1990	Holtermann	251/129.17
4,965,448 A	10/1990	Morse	251/252.1
4,977,929 A	12/1990	Chinnock et al.	137/863
4,988,074 A	1/1991	Najmolhoda	251/129.08
4,989,277 A	2/1991	Tsutsui et al.	4/367
4,998,673 A	3/1991	Pilolla	239/67
5,025,516 A	6/1991	Wilson	4/623
5,027,850 A	7/1991	Peterson et al.	137/245
5,032,812 A	7/1991	Banick et al.	335/17
5,036,553 A	8/1991	Sanderson	4/313
5,074,520 A	12/1991	Lee et al.	251/40
5,109,885 A	5/1992	Tauscher	137/596.17
5,125,621 A	6/1992	Parsons et al.	251/30.03
5,127,625 A	7/1992	Kleinhappl	251/129.17
5,169,118 A	12/1992	Whiteside	251/30.03
5,188,337 A	2/1993	Mertens et al.	251/129.17
5,195,720 A *	3/1993	Nortier et al.	251/129.04
5,213,303 A	5/1993	Walker	251/30.02
5,213,305 A	5/1993	Whiteside et al.	251/40
5,224,685 A	7/1993	Chiang et al.	251/129.04
5,232,194 A	8/1993	Saadi et al.	251/40
5,244,179 A	9/1993	Wilson	251/30.03
5,245,024 A	9/1993	Scarpa et al.	536/56
5,251,188 A	10/1993	Parsons et al.	367/140
5,265,594 A	11/1993	Olsson et al.	128/204.18
5,265,843 A	11/1993	Kleinhappl	251/129.17
5,281,808 A	1/1994	Kunkel	250/221
5,295,655 A	3/1994	Wilson et al.	251/40
5,313,673 A	5/1994	Saadi et al.	4/313
5,315,719 A	5/1994	Tsutsui et al.	4/300
5,335,694 A	8/1994	Whiteside	137/625.37
5,375,811 A	12/1994	Reinicke	251/129.16
D354,113 S *	1/1995	Nortier et al.	D23/233
D355,478 S	2/1995	Allen et al.	D23/249
5,408,369 A	4/1995	Miura et al.	360/75
D357,976 S	5/1995	Allen et al.	D23/249
5,412,816 A	5/1995	Paterson et al.	4/623
5,431,181 A	7/1995	Saadi et al.	137/15.11
5,433,245 A	7/1995	Prather et al.	137/554
5,456,279 A	10/1995	Parsons et al.	137/245
5,474,303 A	12/1995	Coles	277/317
5,481,187 A	1/1996	Marcott et al.	324/207.16
5,508,510 A	4/1996	Laverty et al.	250/221
5,539,198 A	7/1996	McMichael et al.	250/221
5,548,119 A	8/1996	Nortier	250/341.1
5,555,912 A	9/1996	Saadi et al.	137/801
5,566,702 A	10/1996	Philipp	137/1
5,574,617 A	11/1996	Shimanuki et al.	361/154
5,583,434 A	12/1996	Moyers et al.	324/207.16
5,584,465 A	12/1996	Ochsenreiter	251/65
5,600,237 A	2/1997	Nippert	324/207.16
5,636,601 A	6/1997	Moriya et al.	123/90.11
5,668,366 A	9/1997	Mauerhofer	250/221
5,680,879 A	10/1997	Sheih et al.	137/240
5,708,355 A	1/1998	Schrey	323/282
5,716,038 A	2/1998	Scarffe	251/30.03
5,747,684 A	5/1998	Pace et al.	73/119 A
D396,090 S	7/1998	Marcichow et al.	D23/233
5,785,955 A	7/1998	Fischer	424/49
5,787,915 A	8/1998	Byers et al.	137/1
5,787,924 A	8/1998	Cewers et al.	137/487.5
5,797,360 A	8/1998	Pischinger et al.	123/90.11
5,804,962 A	9/1998	Kather et al.	324/207.16
5,815,362 A	9/1998	Kahr et al.	361/153
5,819,336 A	10/1998	Gilliam et al.	4/623
5,881,993 A	3/1999	Wilson et al.	251/40
5,887,848 A	3/1999	Wilson	251/40
5,900,201 A	5/1999	Chatterjee et al.	264/109
5,901,384 A	5/1999	Sim	4/313
5,905,625 A	5/1999	Schebitz	361/154
D411,609 S *	6/1999	Stoltenberg et al.	D23/233
5,941,505 A	8/1999	Nagel	251/335.2
5,950,983 A	9/1999	Jahrling	251/129.04
5,964,192 A	10/1999	Ishii	123/90.11
5,967,182 A	10/1999	Wilson	137/544
5,975,370 A	11/1999	Durliat	222/153.06
5,979,500 A	11/1999	Jahrling et al.	137/624.12
5,984,262 A	11/1999	Parsons et al.	251/129.04
5,996,965 A	12/1999	Eichholz et al.	251/30.05
6,000,674 A	12/1999	Cheng	251/26
6,019,343 A	2/2000	Tsai	251/30.02
6,024,059 A	2/2000	Kamimaru et al.	123/90.11
6,044,814 A	4/2000	Fuwa	123/90.11
6,056,261 A	5/2000	Aparicio et al.	251/129.03
6,127,671 A	10/2000	Parsons et al.	250/221
6,155,231 A	12/2000	Adachi et al.	123/399
6,158,715 A	12/2000	Kirschbaum	251/129.06
6,161,726 A	12/2000	Parsons et al.	222/52
6,182,689 B1	2/2001	Lauer et al.	137/550
6,212,697 B1	4/2001	Parsons et al.	4/302
6,216,730 B1	4/2001	Hall	137/550
6,227,219 B1	5/2001	Pino	137/1
6,243,885 B1	6/2001	Lopez-Torres, Jr.	4/300
6,260,576 B1	7/2001	Allen	137/550
6,273,394 B1	8/2001	Vincent et al.	251/129.04
6,293,516 B1	9/2001	Parsons et al.	251/129.04

US D598,974 S

Page 3

6,299,127 B1	10/2001	Wilson	251/38	6,619,614 B2	9/2003	Parsons et al.	251/129.04
6,305,662 B1	10/2001	Parsons et al.	251/129.04	6,643,853 B2	11/2003	Wilson et al.	4/249
D452,898 S *	1/2002	Johnson	D23/233	6,659,420 B2	12/2003	Hwang	251/26
6,340,032 B1	1/2002	Zosimadis	137/552	6,685,158 B2	2/2004	Parsons	251/30.01
6,353,942 B1	3/2002	Pondelick et al.	4/431	6,871,835 B2	3/2005	Parsons	251/30.83
6,367,096 B1	4/2002	Quintana	4/427	7,188,822 B2 *	3/2007	Marcichow et al.	251/30.01
6,382,586 B1	5/2002	Wilson et al.	251/40	7,325,781 B2 *	2/2008	Parsons et al.	251/129.04
6,450,478 B2	9/2002	Parsons et al.	251/129.04	2007/0246671 A1	10/2007	Marcichow et al.	251/30.01
6,499,152 B2	12/2002	Johnson	3/302				
6,609,698 B1	8/2003	Parsons et al.	251/129.17				

* cited by examiner

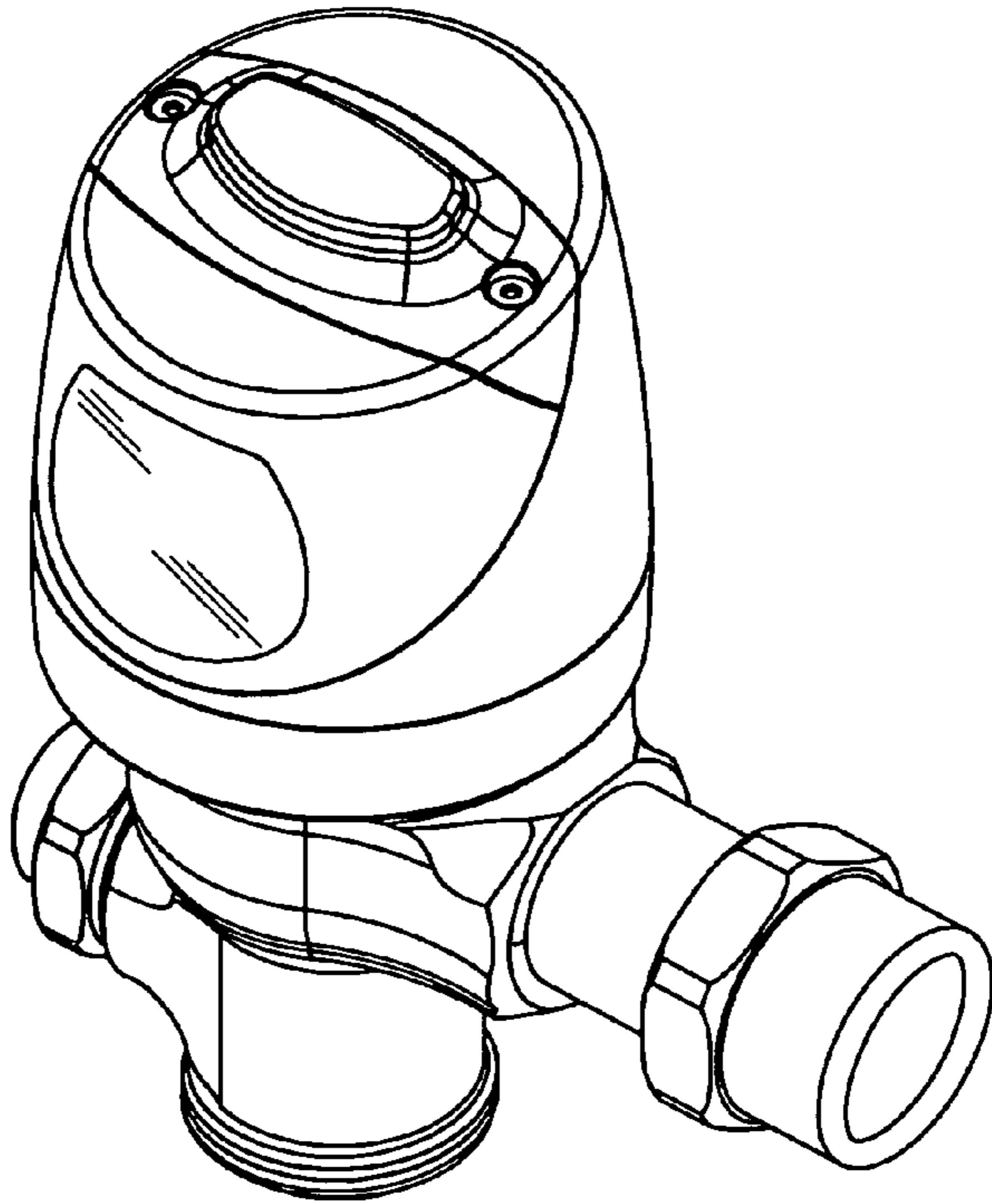


FIG. 1

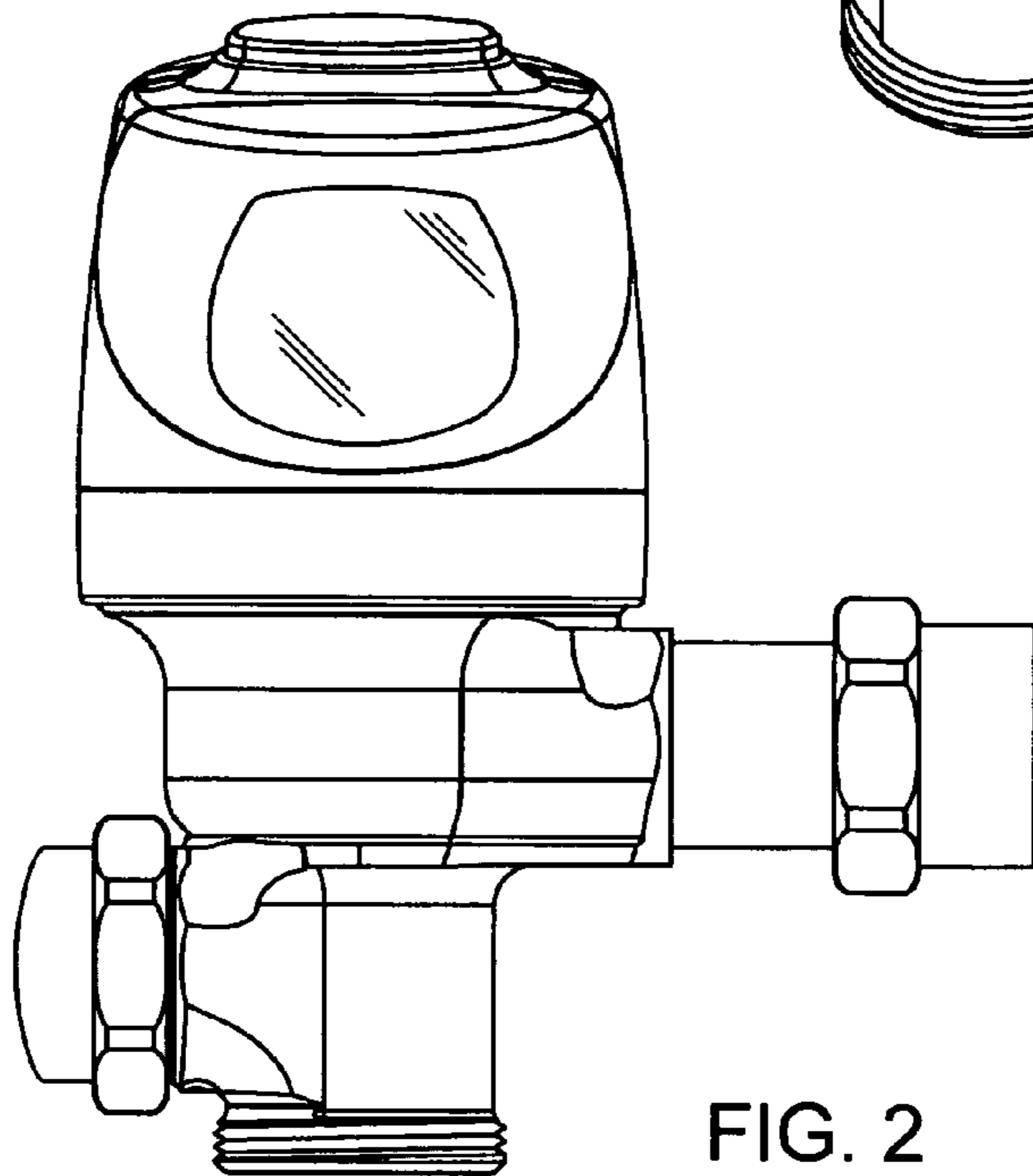


FIG. 2

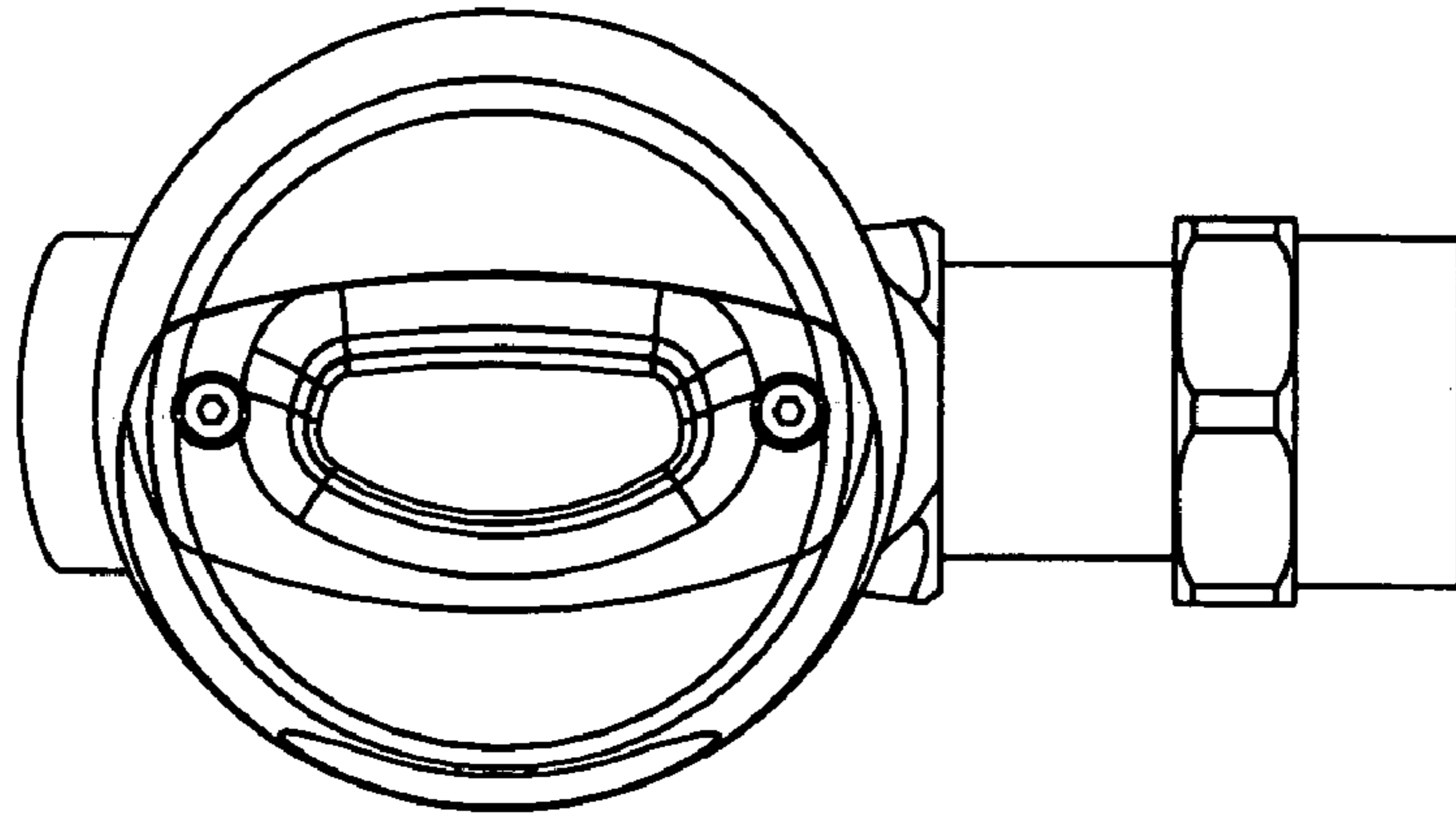


FIG. 3

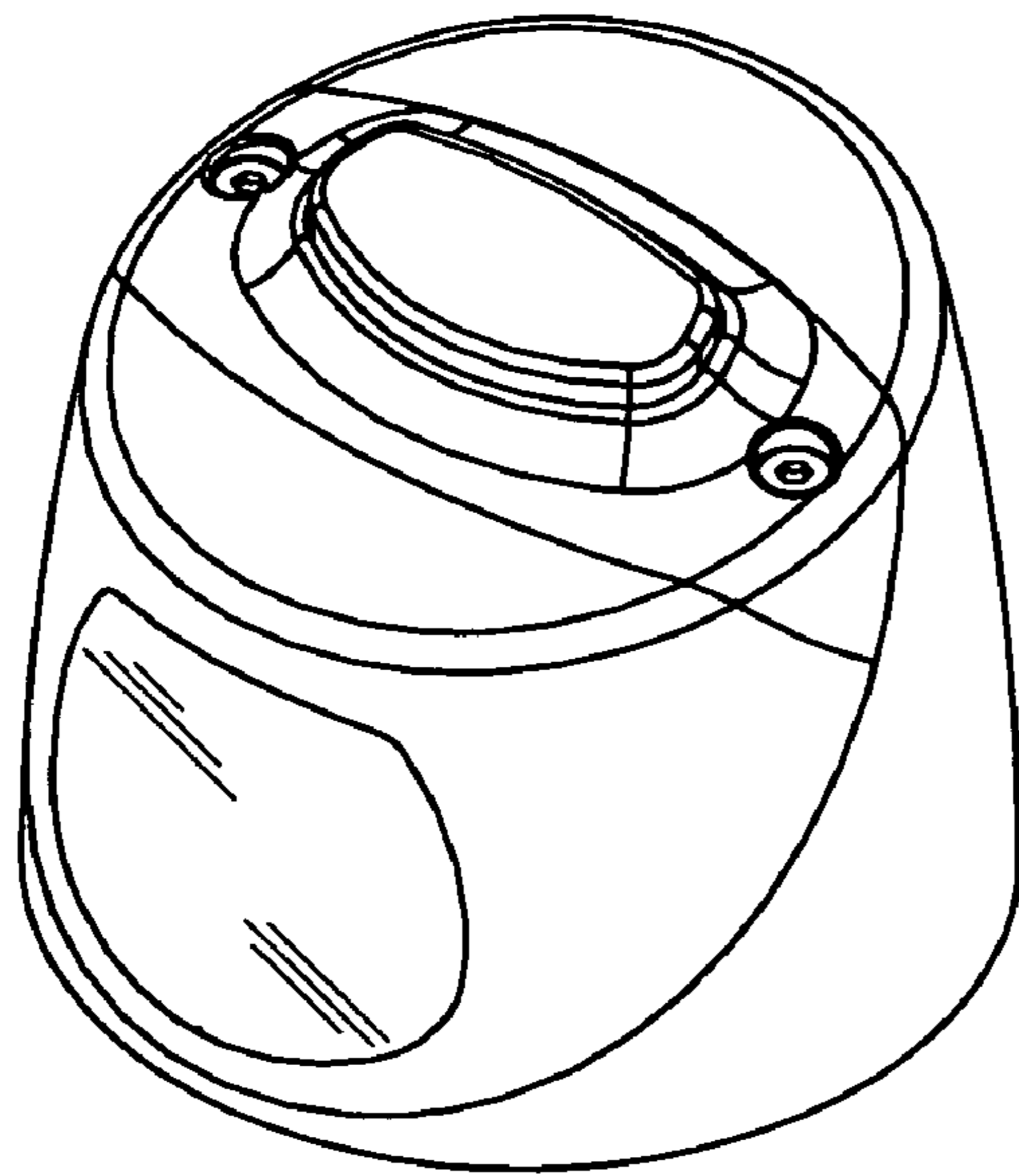


FIG. 4