

US00D598973S

(12) **United States Design Patent**
Muhlethaler

(10) **Patent No.:** **US D598,973 S**

(45) **Date of Patent:** **** Aug. 25, 2009**

(54) **FOUNTAIN**

(75) Inventor: **Francoise Muhlethaler**, Colombes (FR)

(73) Assignee: **Multaler Et Cie S.A.**, Colombes (FR)

(**) Term: **14 Years**

(21) Appl. No.: **29/283,016**

(22) Filed: **Aug. 3, 2007**

(30) **Foreign Application Priority Data**

Feb. 19, 2007 (EM) 000674098

(51) **LOC (9) Cl.** **23-01**

(52) **U.S. Cl.** **D23/201**

(58) **Field of Classification Search** D23/201;
239/17-20; 40/406-407, 439

See application file for complete search history.

(56) **References Cited**

U.S. PATENT DOCUMENTS

5,167,368 A * 12/1992 Nash 239/17

6,203,394 B1 * 3/2001 Lee 446/159
6,279,835 B1 * 8/2001 Hansen 239/20
7,073,728 B2 * 7/2006 Watson et al. 239/20

* cited by examiner

Primary Examiner—Robin V Webster

(74) *Attorney, Agent, or Firm*—Greenblum & Bernstein, P.L.C.

(57) **CLAIM**

I claim the ornamental design for a fountain, as shown and described.

DESCRIPTION

FIG. 1 is a top right-side perspective view of the fountain;

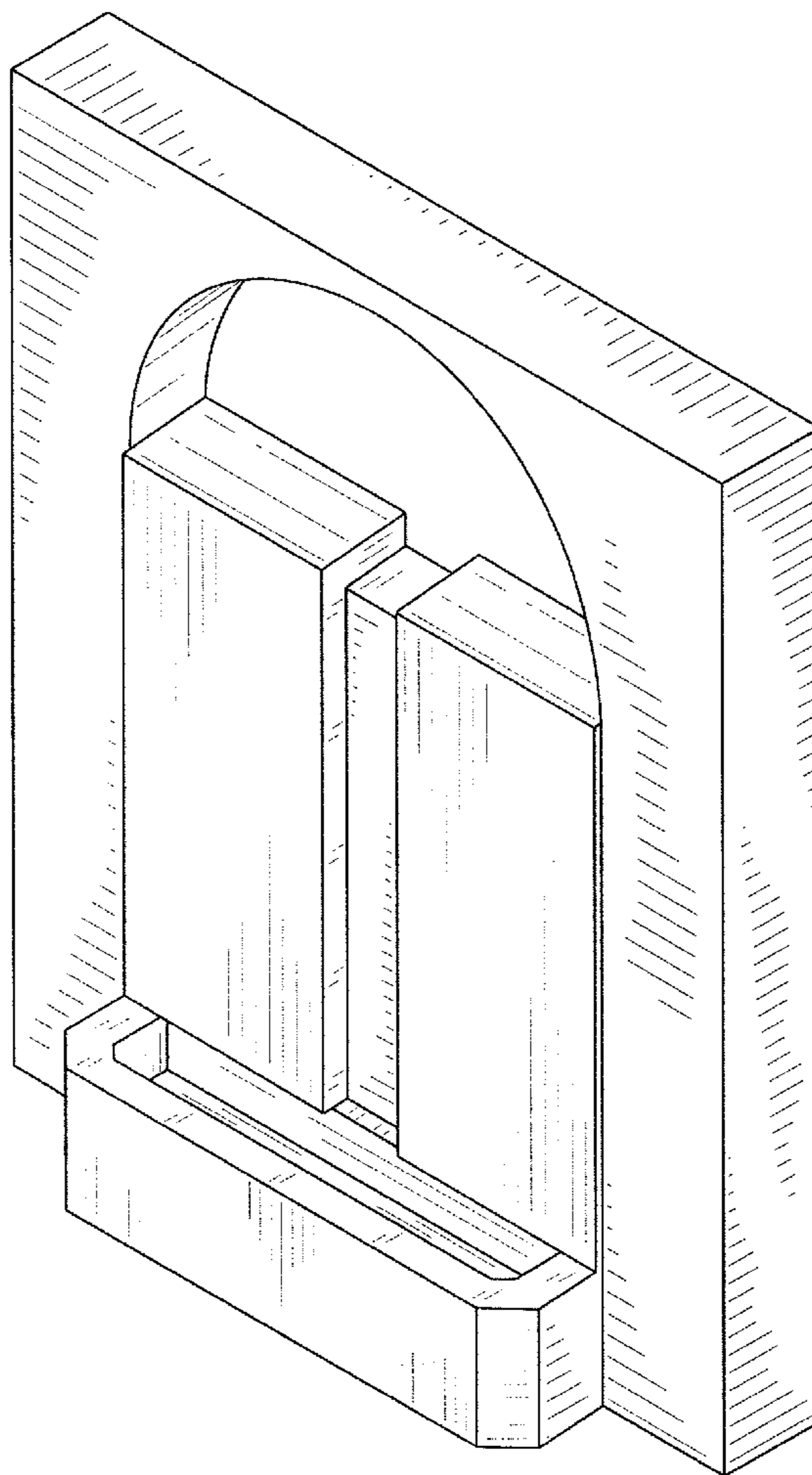
FIG. 2 is a front view of FIG. 1;

FIG. 3 is a right-side view of FIG. 1; and,

FIG. 4 shows a top view of FIG. 1.

Any surfaces of the design not shown, including interior surfaces and any surfaces shown in broken lines, form no part of the claimed invention.

1 Claim, 4 Drawing Sheets



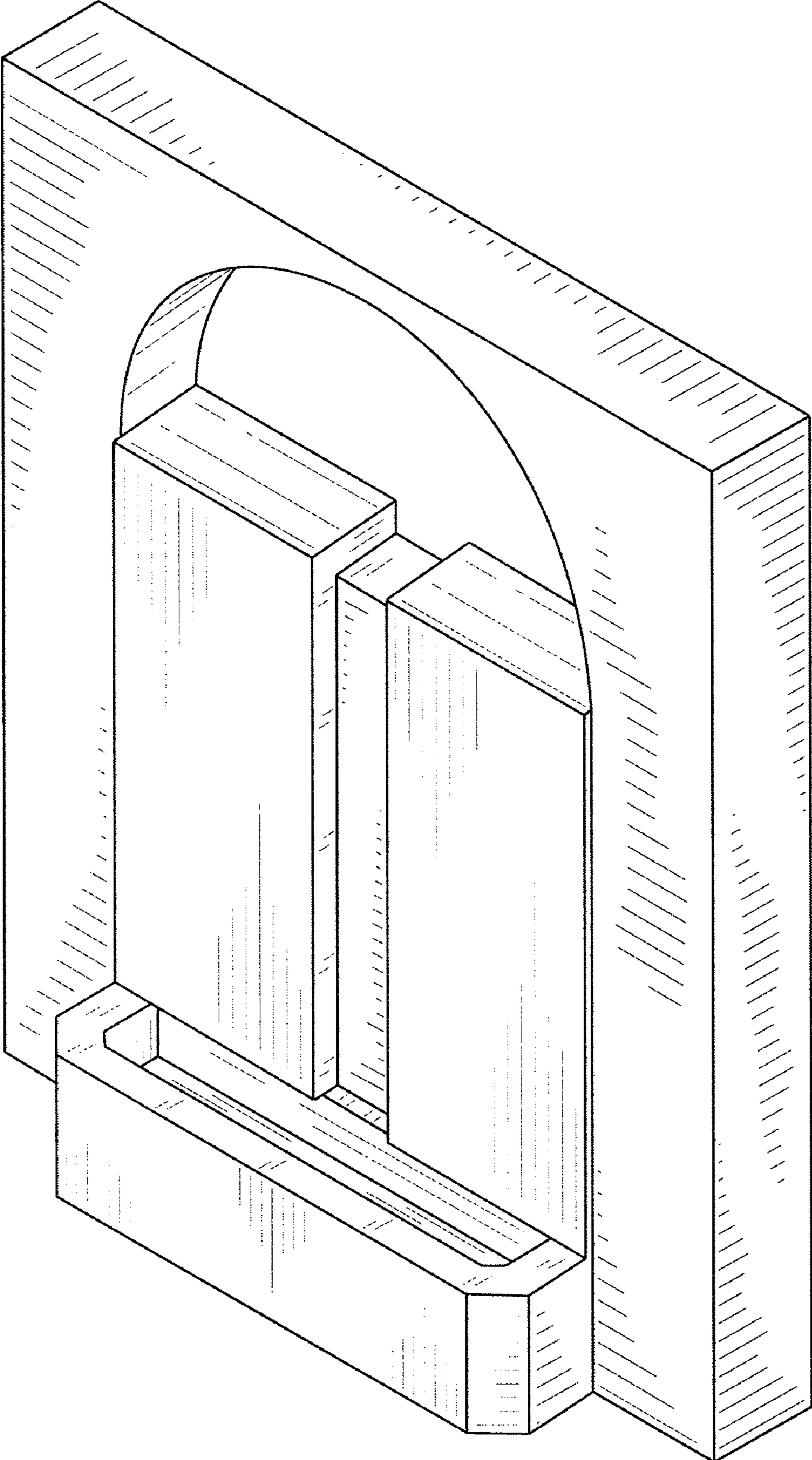


FIG. 1

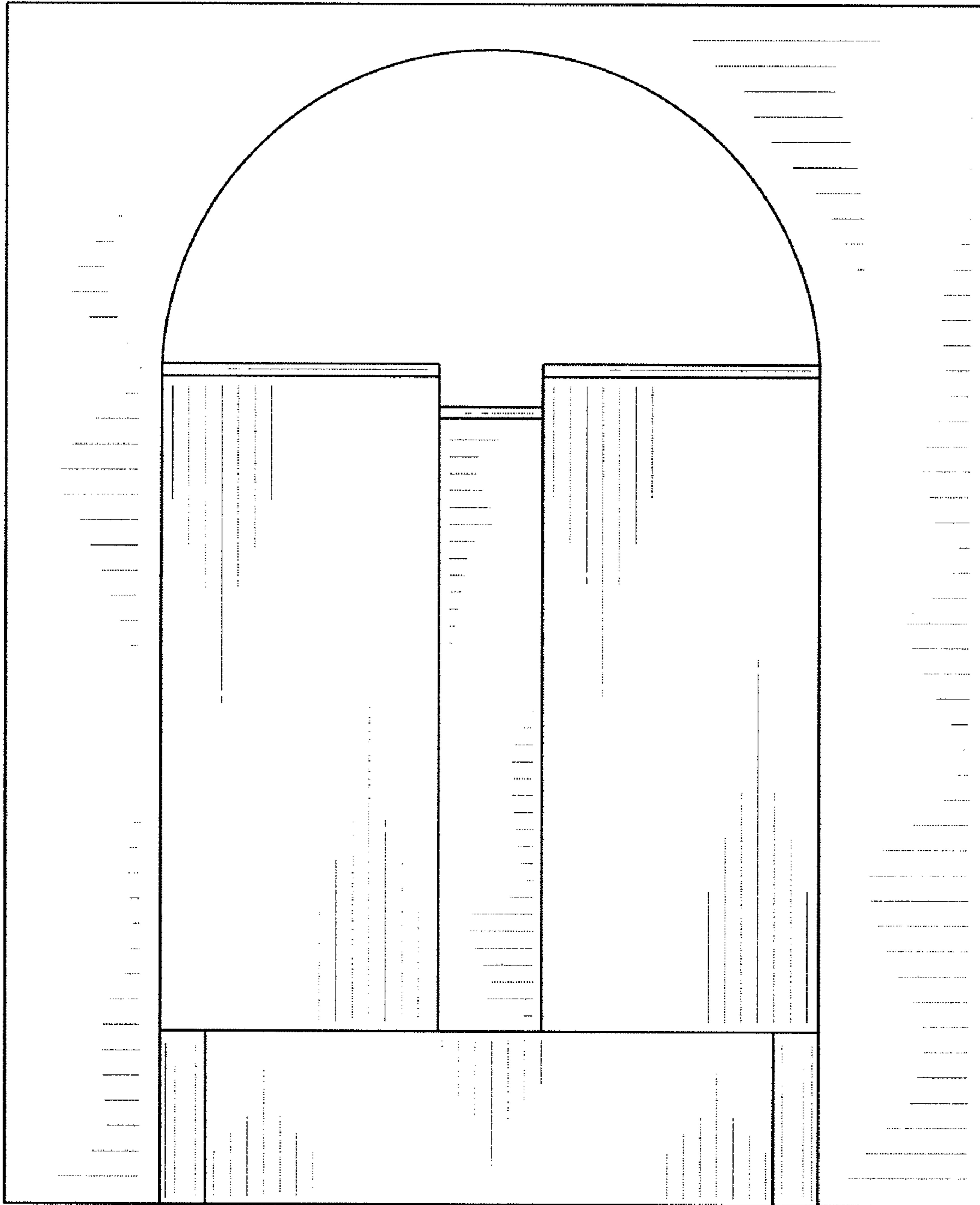


FIG. 2

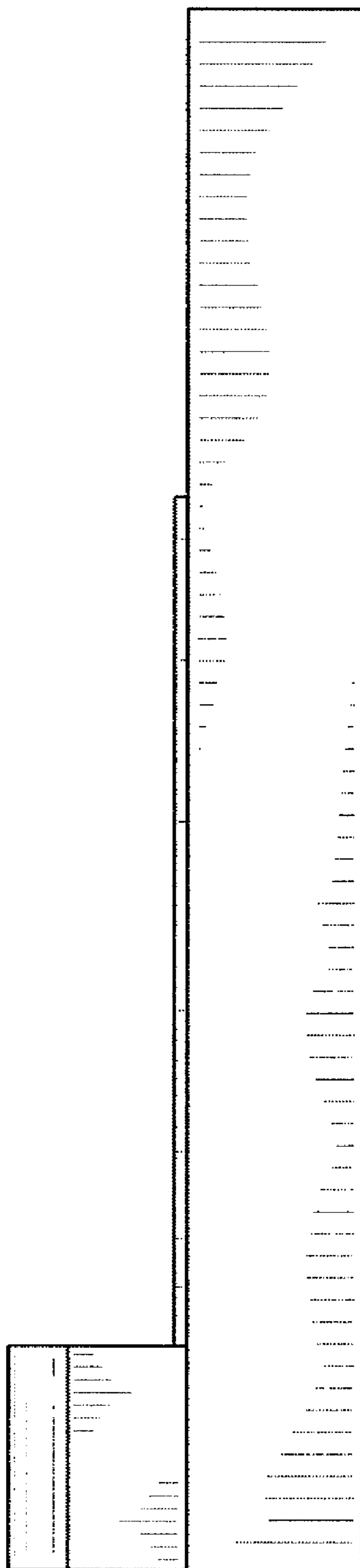


FIG. 3

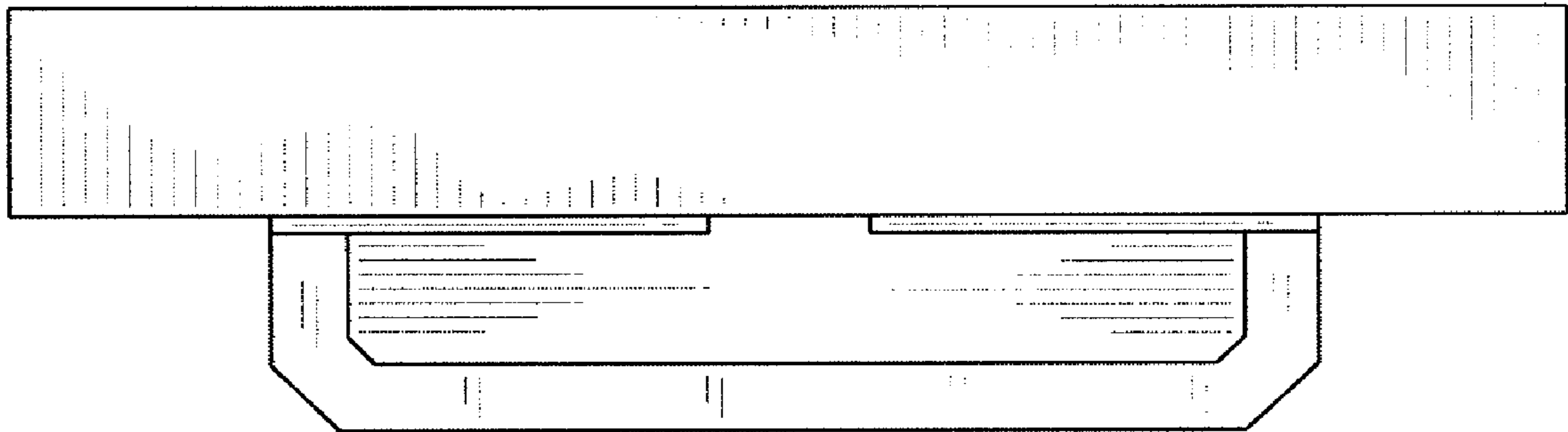


FIG. 4