

US00D598971S

(12) **United States Design Patent**  
**Peterson et al.**

(10) **Patent No.:** **US D598,971 S**  
(45) **Date of Patent:** **\*\* Aug. 25, 2009**

(54) **MOUNTING BRACKET FOR  
ELECTRO-OPTIC DEVICES FOR FIREARMS  
AND OTHER EQUIPMENT**

(75) Inventors: **Morris Peterson**, Earlysville, VA (US);  
**Matthew Peterson**, Crozet, VA (US);  
**Charles Robert Overbey, Jr.**, Deland,  
FL (US); **Gary Vance**, Bristol, VA (US)

(73) Assignee: **Ashbury International Group, Inc.**,  
Ruckersville, VA (US)

(\*\*) Term: **14 Years**

(21) Appl. No.: **29/326,085**

(22) Filed: **Oct. 10, 2008**

**Related U.S. Application Data**

(63) Continuation of application No. 12/234,527, filed on  
Sep. 19, 2008.

(51) **LOC (9) Cl.** ..... **22-01**

(52) **U.S. Cl.** ..... **D22/108**

(58) **Field of Classification Search** ..... D22/100,  
D22/108, 199; D8/1, 380, 381; D6/417,  
D6/552; 42/94; 89/37.04; 211/64, 89; 248/872,  
248/156, 530

See application file for complete search history.

(56) **References Cited**

**U.S. PATENT DOCUMENTS**

D253,545 S \* 11/1979 Chesnut ..... D22/109  
D256,830 S \* 9/1980 Bechtel ..... D22/110  
D265,920 S \* 8/1982 Bechtel ..... D22/109  
D274,540 S \* 7/1984 Bechtel ..... D22/110  
2009/0101776 A1\* 4/2009 Peterson et al. .... 248/205.1

\* cited by examiner

*Primary Examiner*—T. Chase Nelson

*Assistant Examiner*—Michael A Pratt

(74) *Attorney, Agent, or Firm*—Troutman Sanders LLP;  
James Hunt Yancey, Jr.; Filip Kowalewski

(57) **CLAIM**

The ornamental design for a mounting bracket for electro-optic devices for firearms and other equipment, as shown and described.

**DESCRIPTION**

FIG. 1 illustrates a perspective, side view of a new design of an accessory mounting bracket for electro-optic devices for firearms and other equipment depicting an accessory mounting surface disposed on a tri-forked mounting bracket;

FIG. 2 is a side view of the design shown in FIG. 1 depicting an accessory mounting surface disposed on a tri-forked mounting bracket;

FIG. 3 is a side view of the design shown in FIG. 1 depicting an accessory mounting surface disposed on a tri-forked mounting bracket;

FIG. 4 is a cross-sectional view of the design shown in FIG. 1 depicting an accessory mounting surface disposed on a tri-forked mounting bracket;

FIG. 5 is a cross-sectional view of the design shown in FIG. 1 depicting an accessory mounting surface disposed on a tri-forked mounting bracket;

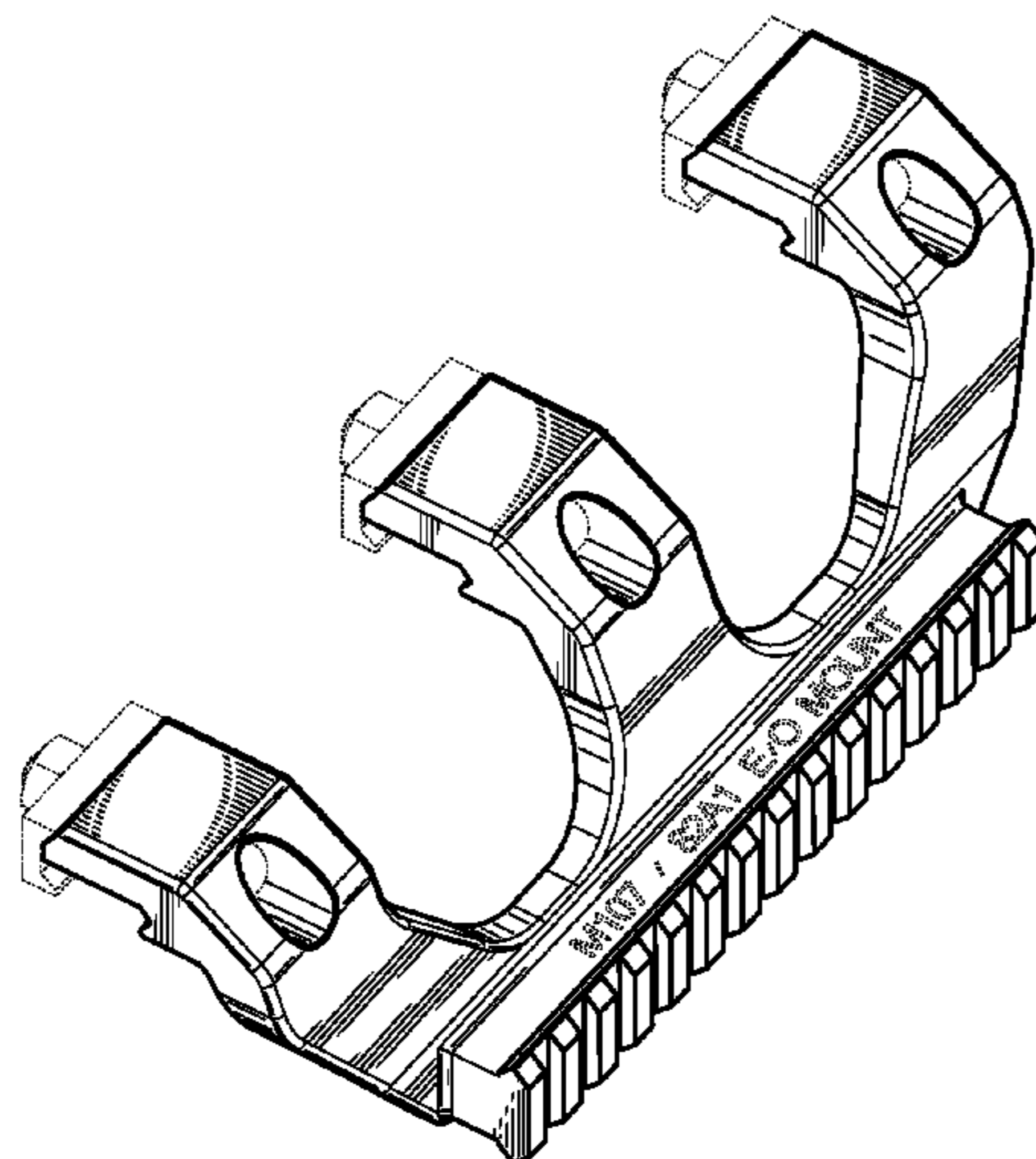
FIG. 6 is a top view of the design shown in FIG. 1 depicting an accessory mounting surface disposed on a tri-forked mounting bracket;

FIG. 7 is a bottom view of the design shown in FIG. 1 depicting an accessory mounting surface disposed on a tri-forked mounting bracket; and,

FIG. 8 is an angled perspective view of design shown in FIG. 1 depicting an accessory mounting surface disposed on a tri-forked mounting bracket mounted on a firearm.

The broken, dashed lines shown in the various figures depicting embodiments of the invention are included for the purpose of illustrating environment and do not form any part of the claimed design.

**1 Claim, 5 Drawing Sheets**



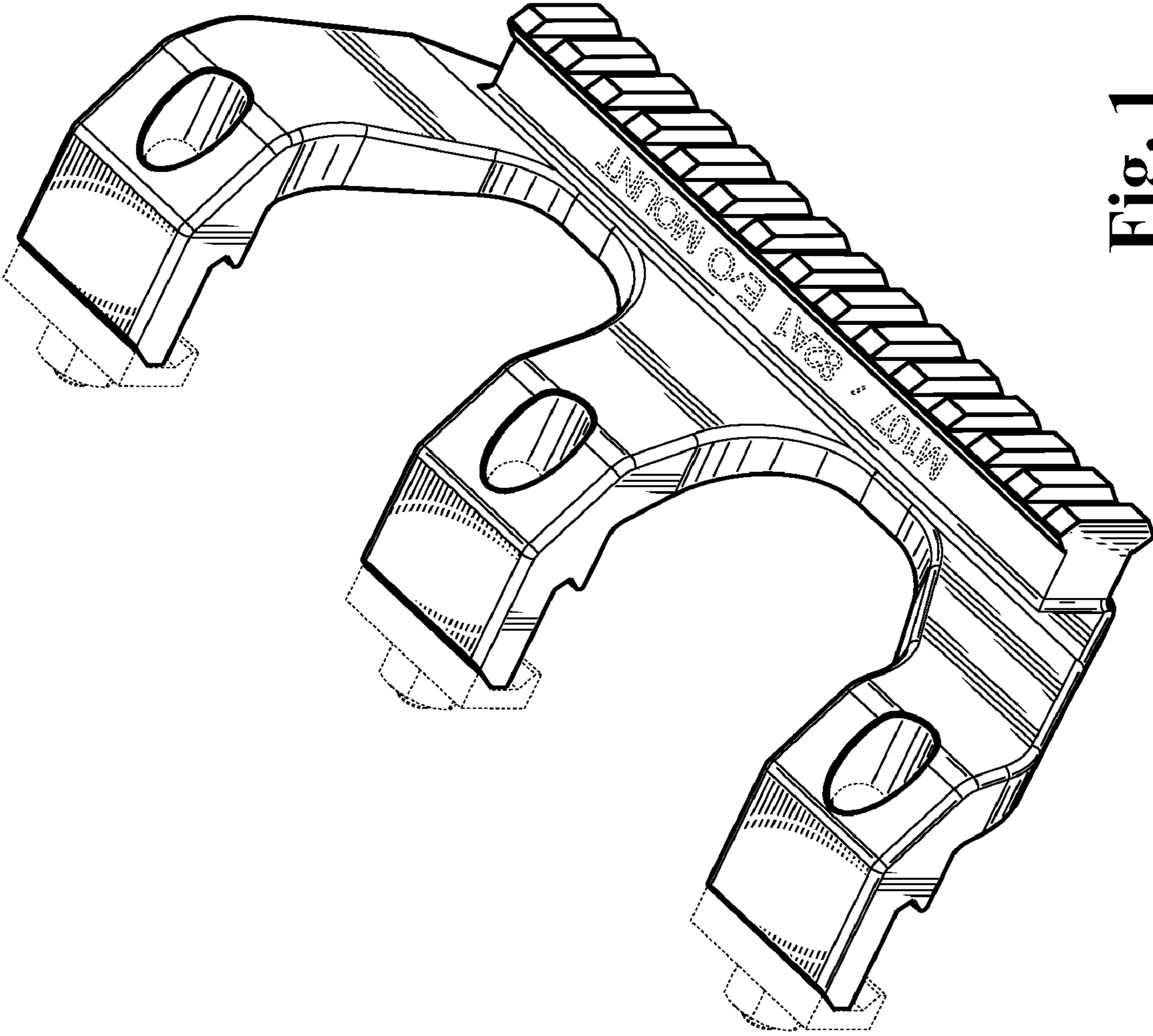


Fig. 1

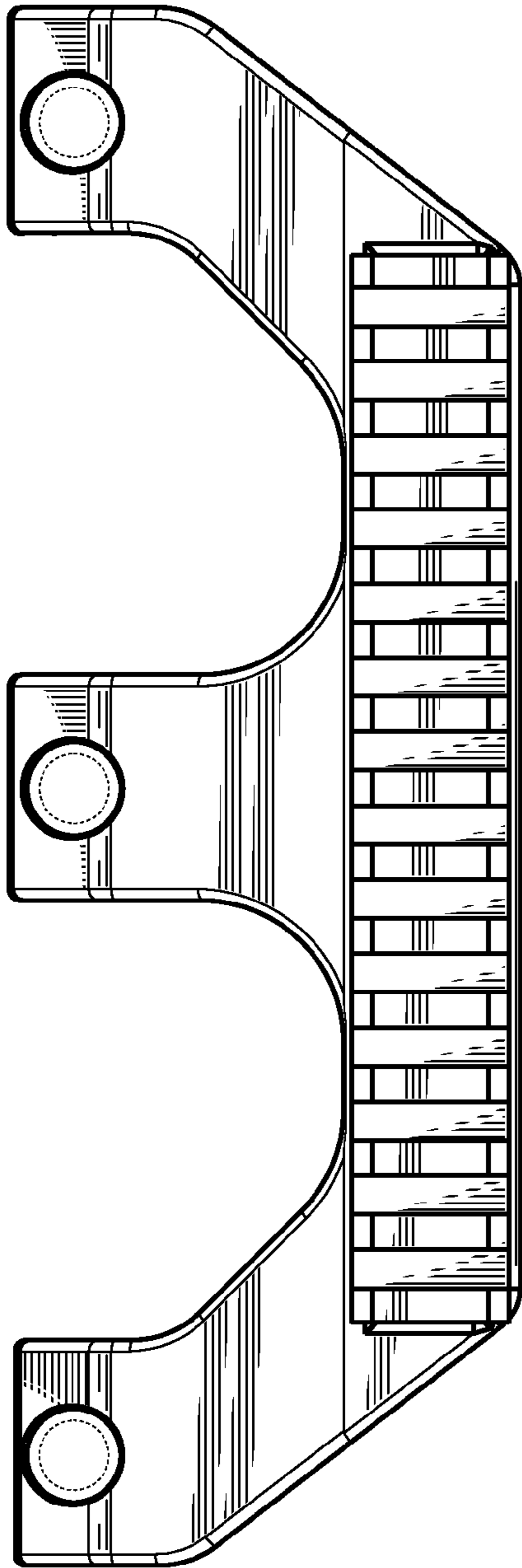


Fig. 2

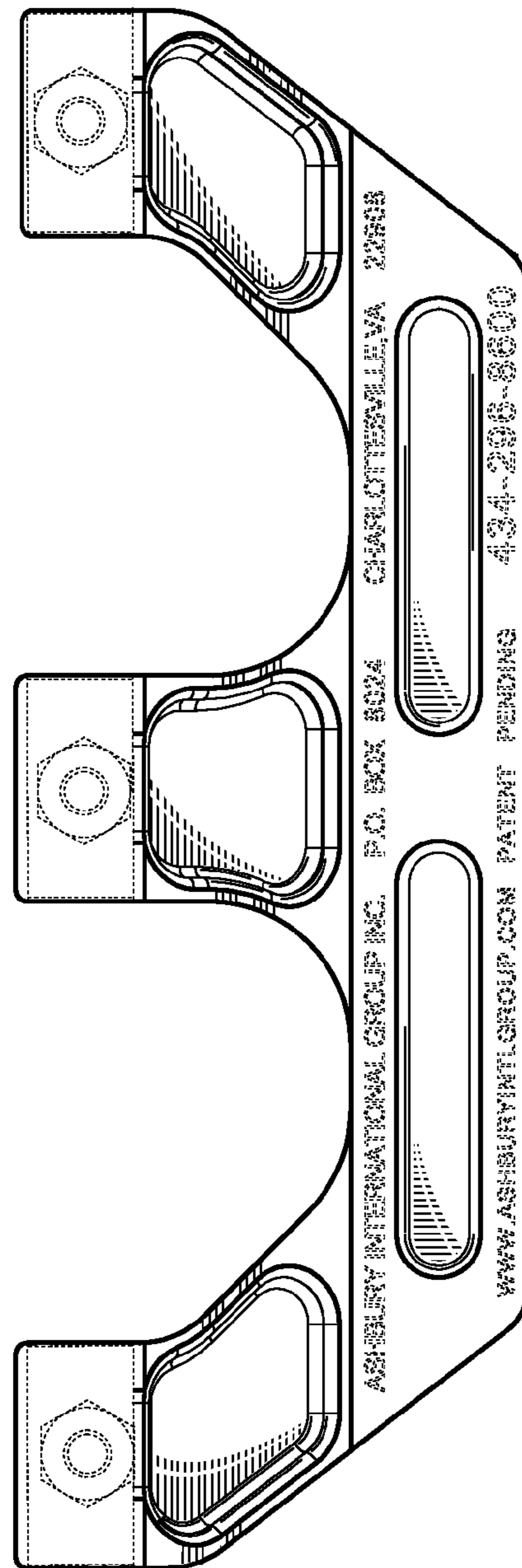


Fig. 3

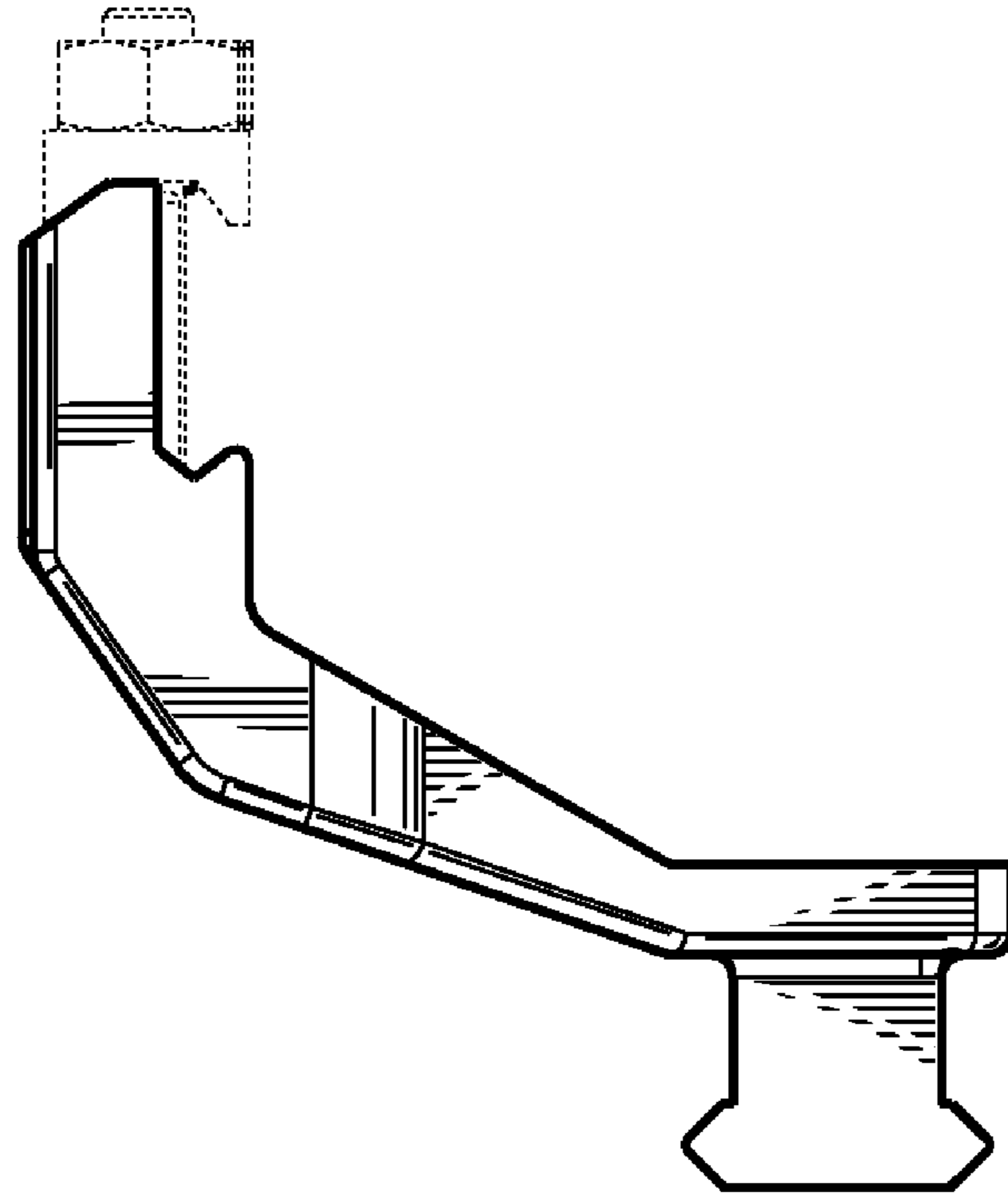


Fig. 5

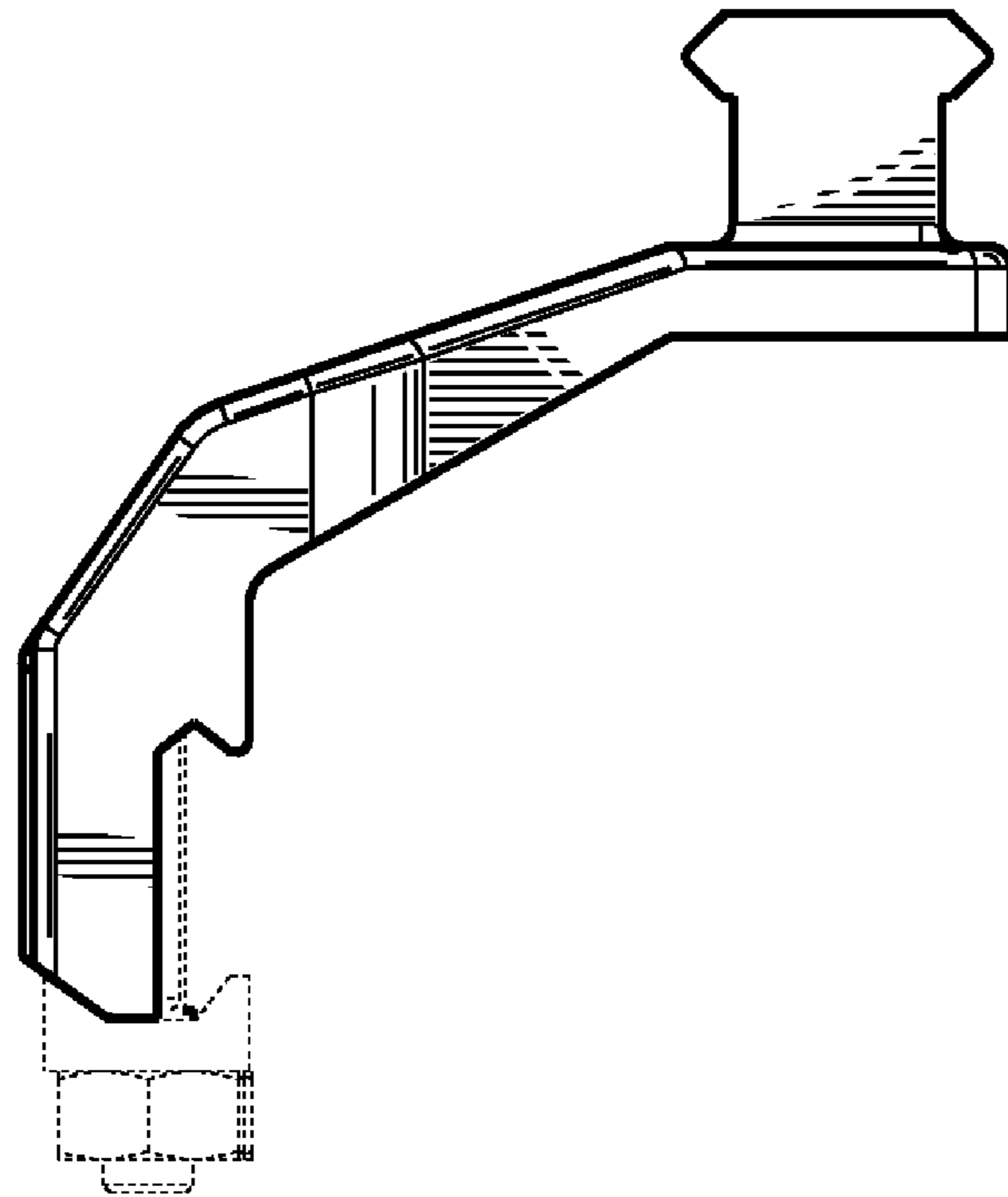


Fig. 4



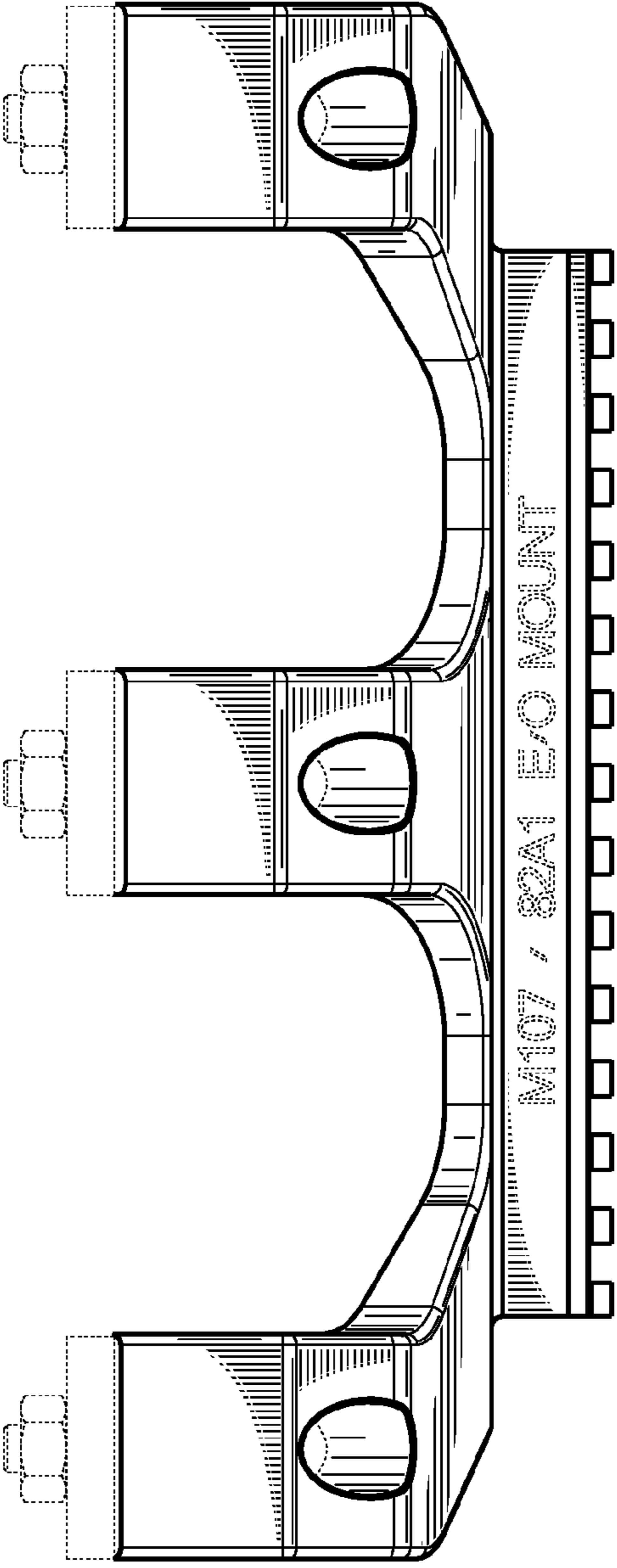


Fig. 6

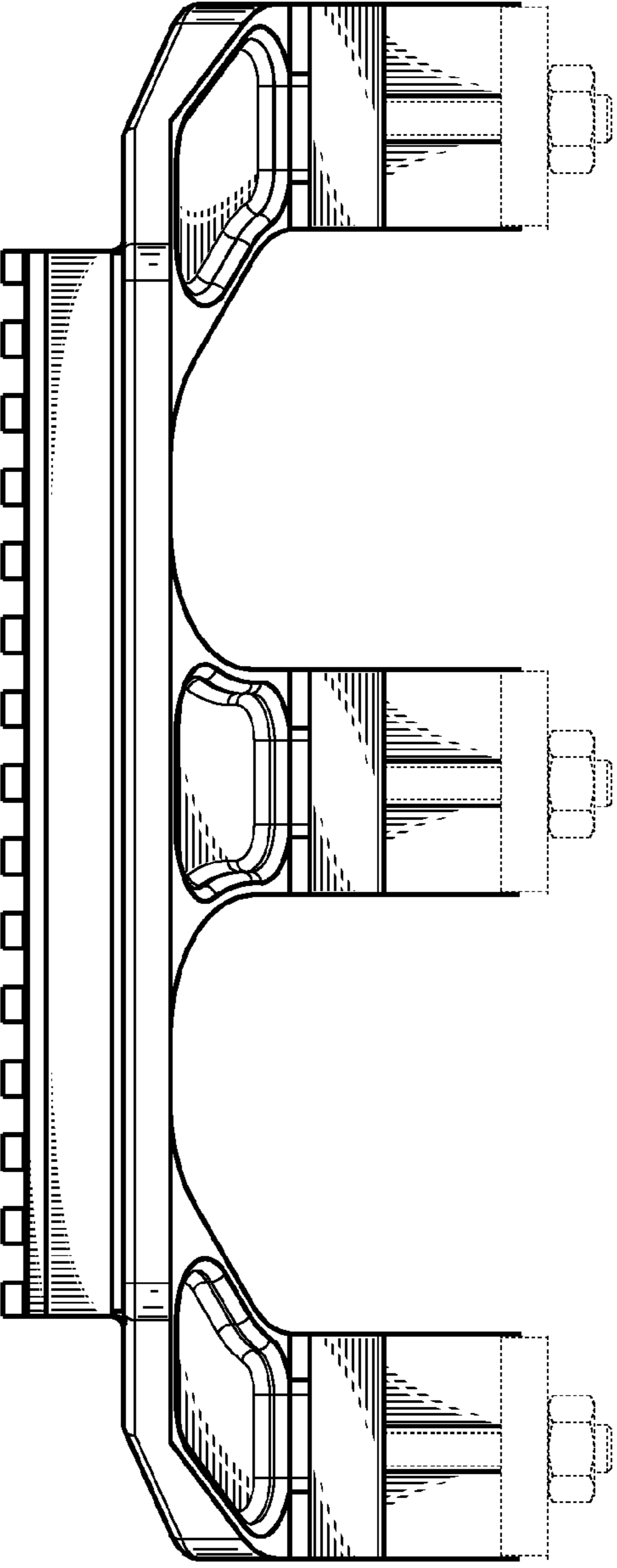


Fig. 7

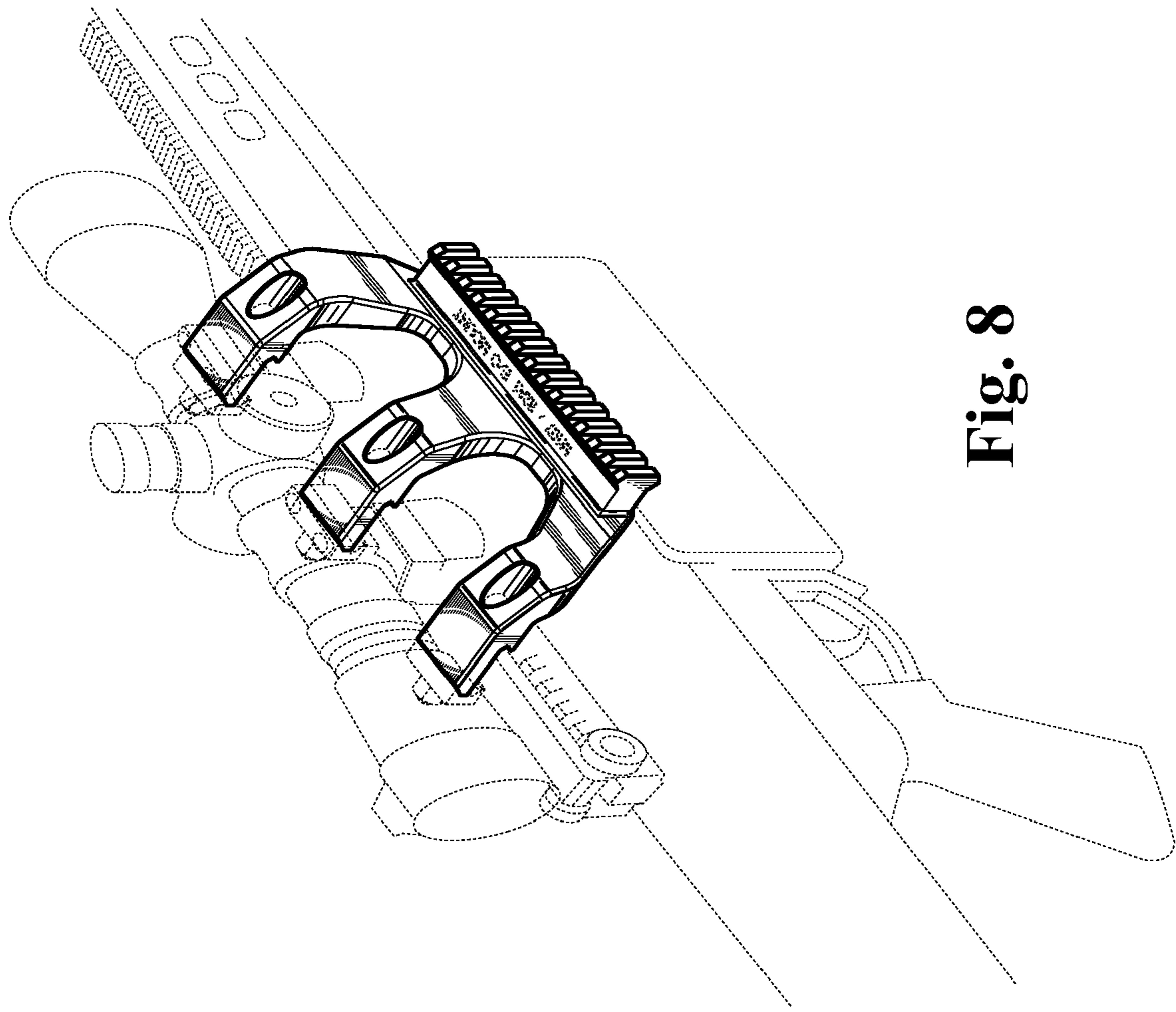


Fig. 8