



US00D598970S

(12) **United States Design Patent**
Monk

(10) **Patent No.:** **US D598,970 S**

(45) **Date of Patent:** **** Aug. 25, 2009**

(54) **SWIMMING TRAINING DEVICE**

(76) Inventor: **David T. Monk**, 19859 Wilkinson Leas Rd., Tequesta, FL (US) 33469

(**) Term: **14 Years**

(21) Appl. No.: **29/324,483**

(22) Filed: **Sep. 12, 2008**

(51) **LOC (9) Cl.** **21-06**

(52) **U.S. Cl.** **D21/804**

(58) **Field of Classification Search** D21/678,
D21/801-804, 806, 807, 810; 482/55, 56;
D24/188, 128; 441/55, 56, 58, 60, 61; D28/7,
D28/91.2

See application file for complete search history.

(56) **References Cited**

U.S. PATENT DOCUMENTS

3,945,068	A *	3/1976	Carbonero	441/56
4,095,657	A *	6/1978	Hohwart	482/55
4,218,056	A *	8/1980	Whitling	482/55
4,524,711	A *	6/1985	Ashrow	482/55
4,527,795	A *	7/1985	Zink	482/55
4,529,192	A *	7/1985	Stites	482/55
5,385,521	A *	1/1995	Weissbuch	482/55
5,601,514	A *	2/1997	Horn	482/55
7,185,598	B1 *	3/2007	Lan et al.	114/215

* cited by examiner

Primary Examiner—Janice E Seeger

Assistant Examiner—Zenia I Bennett

(74) *Attorney, Agent, or Firm*—McHale & Slavin, P.A.

(57) **CLAIM**

The ornamental design for a swimming training device, as shown and described.

DESCRIPTION

FIG. 1 is a top perspective view of the swimming training device of the instant invention;

FIG. 2 is a left side view thereof;

FIG. 3 is a right side view thereof;

FIG. 4 is a top view thereof;

FIG. 5 is a bottom view thereof;

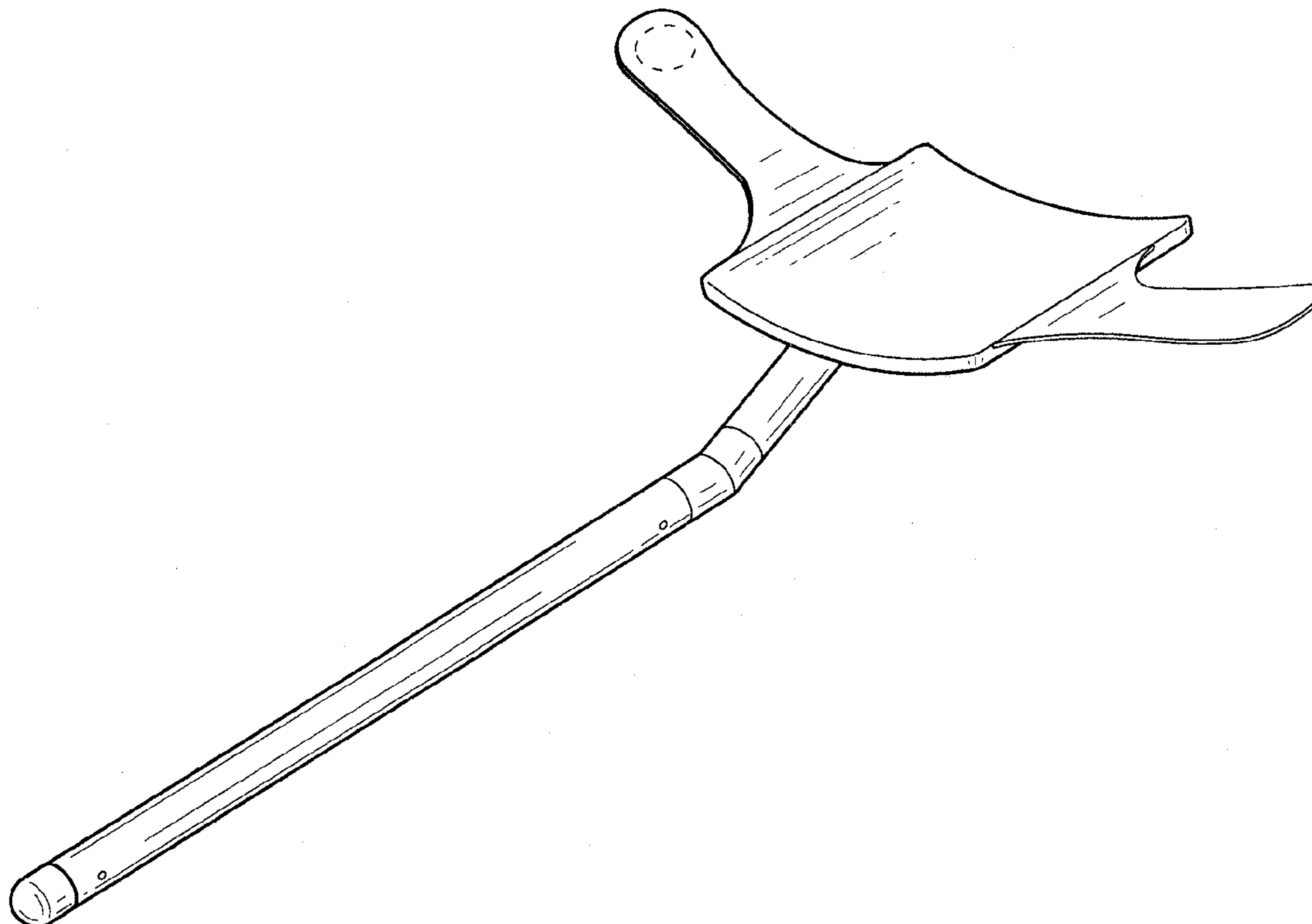
FIG. 6 is a rear view thereof;

FIG. 7 is a front view thereof; and,

FIG. 8 is a top perspective view illustrating the instant invention secured about a swimmers waist area.

The portions of figures illustrated in broken lines are for environmental purposes only and form no part of the claimed design.

1 Claim, 6 Drawing Sheets



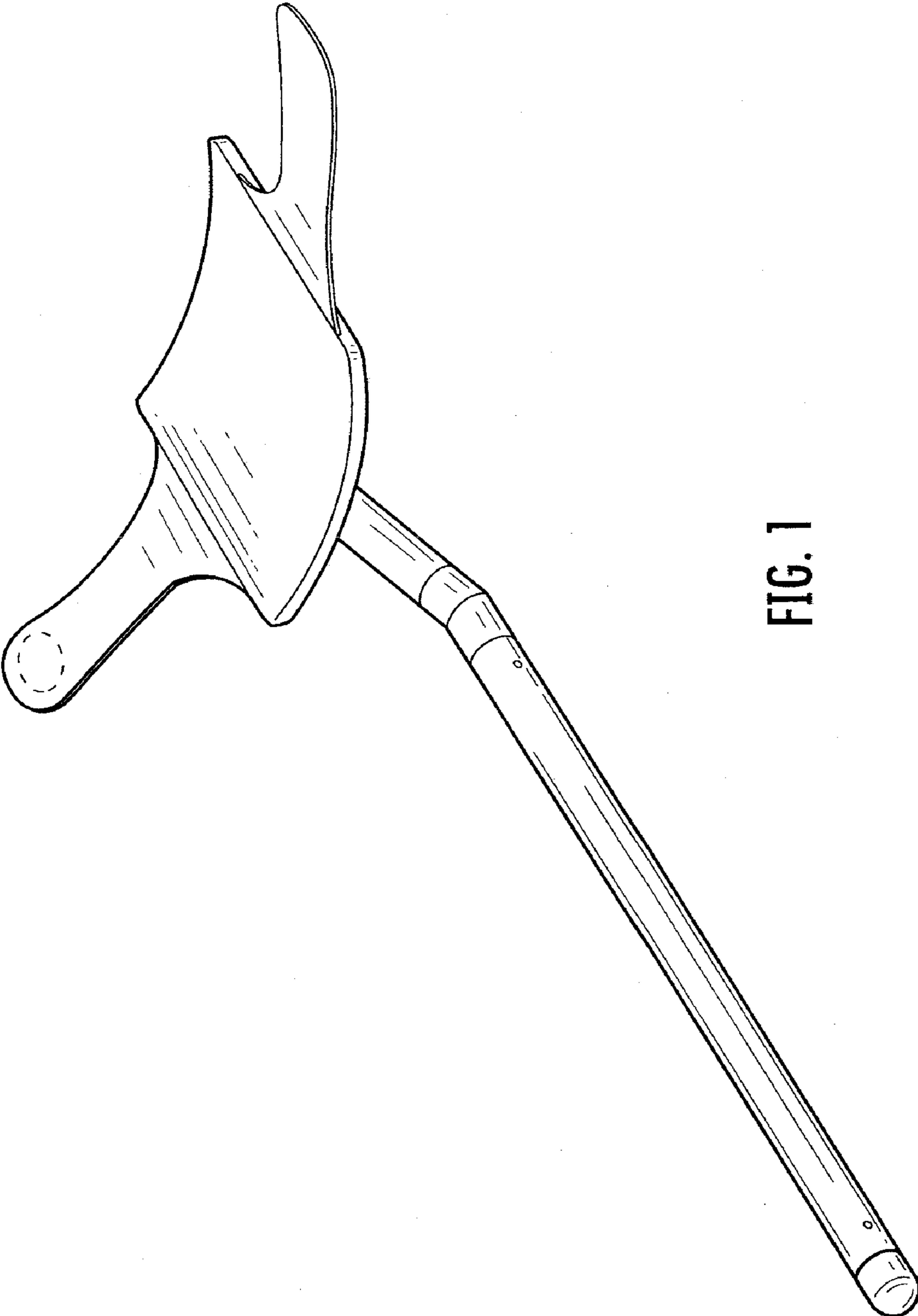


FIG. 1

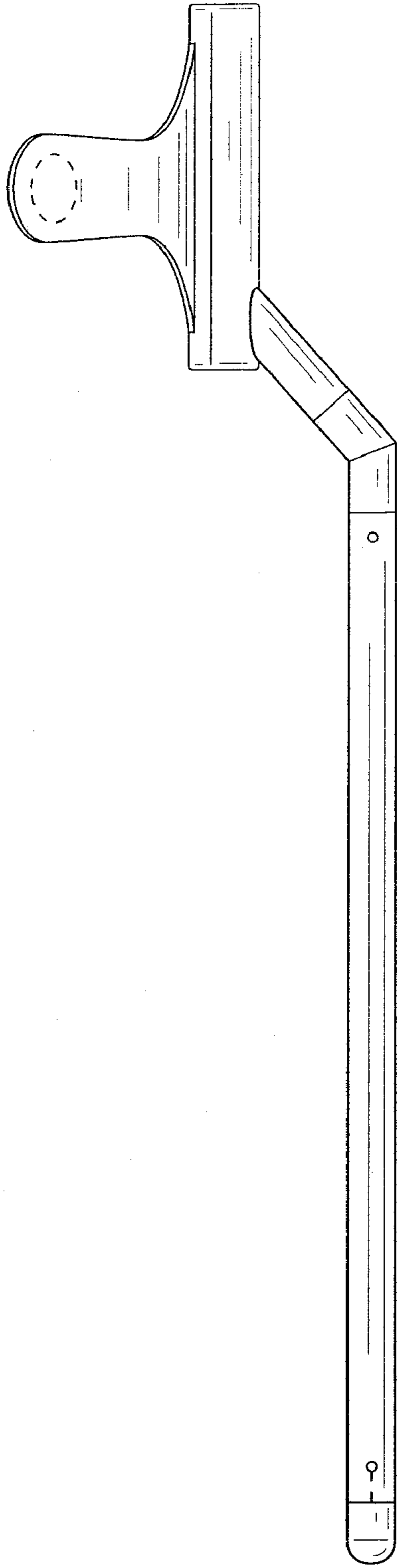


FIG. 2

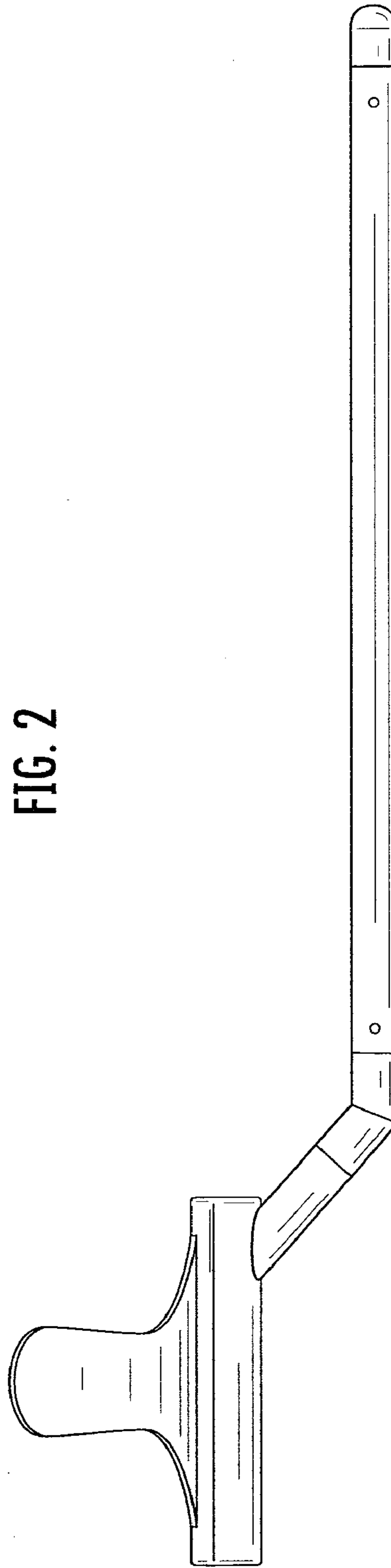


FIG. 3

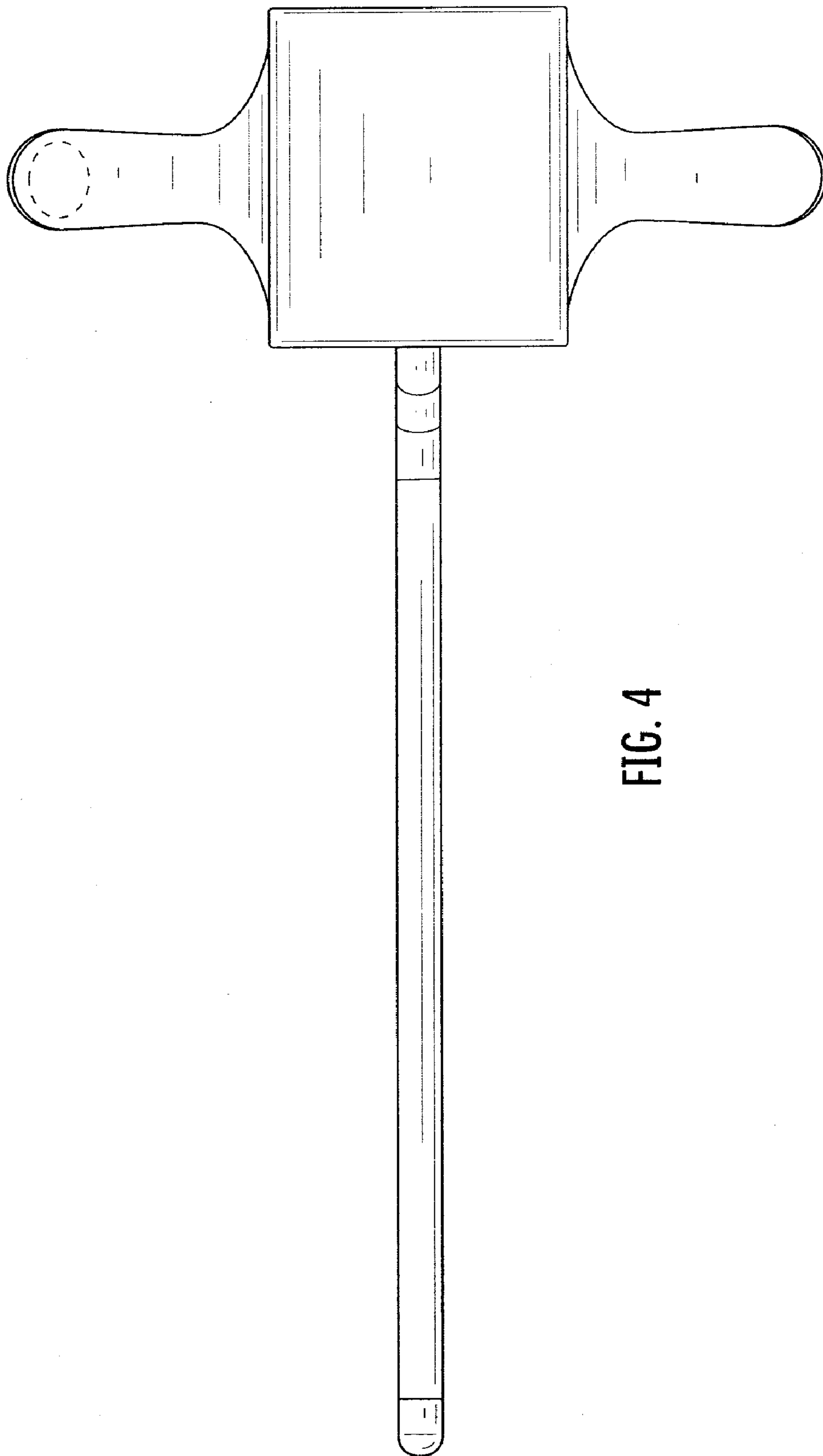


FIG. 4

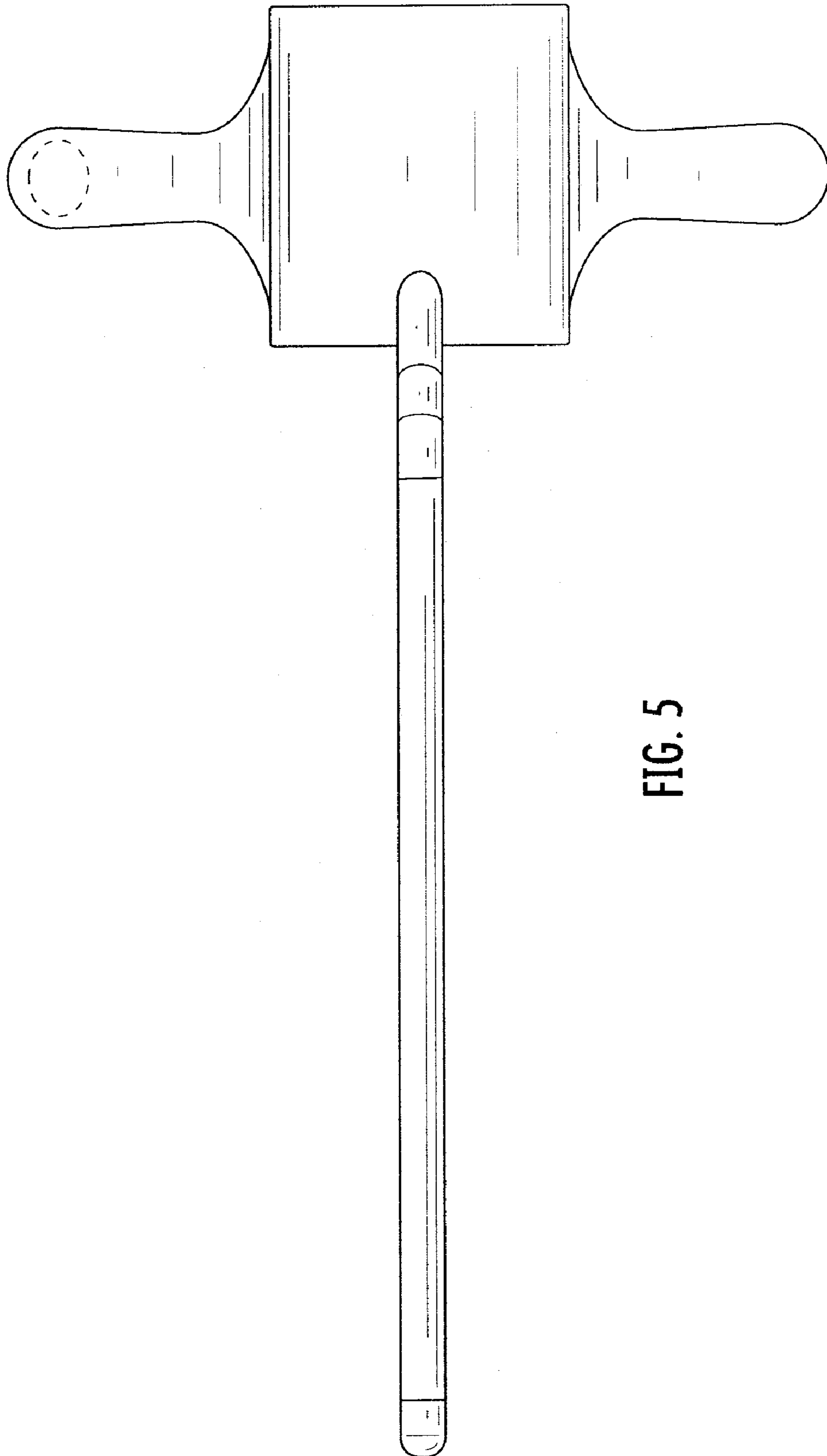


FIG. 5

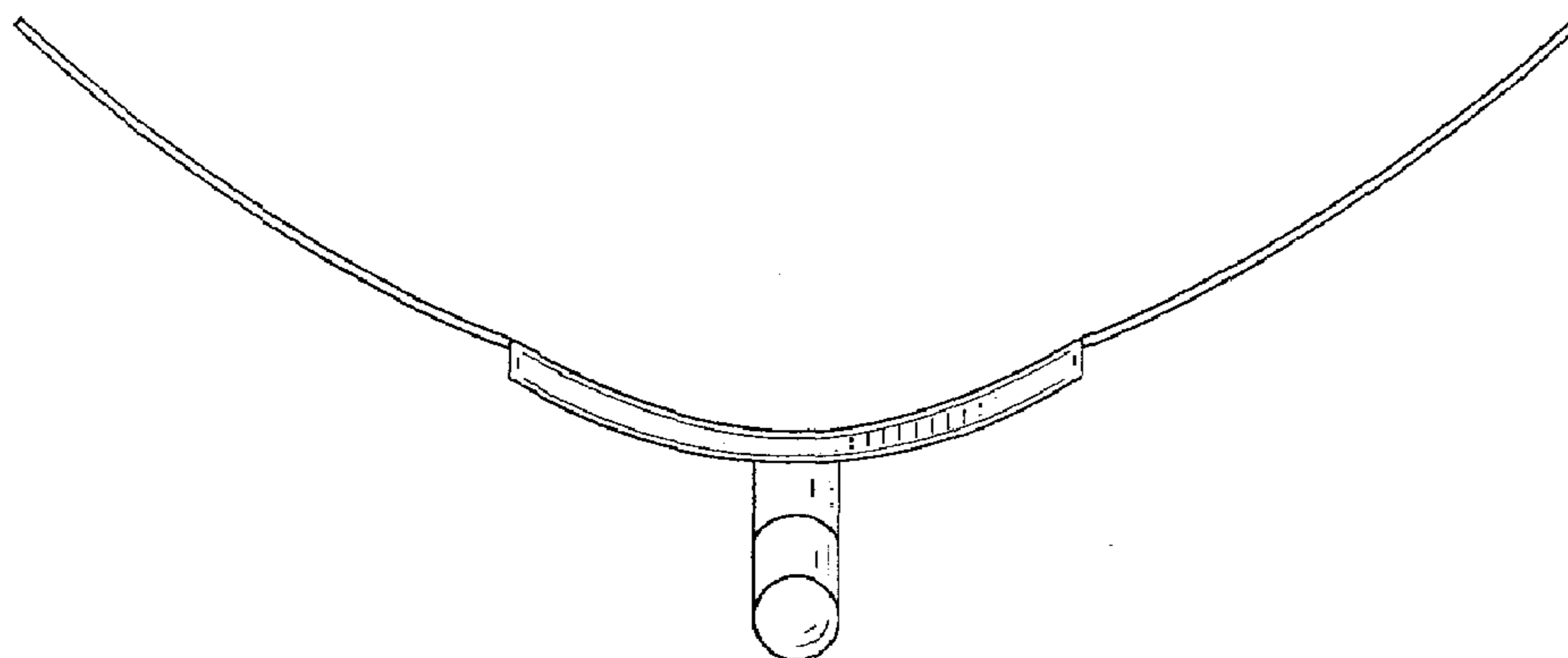


FIG. 6

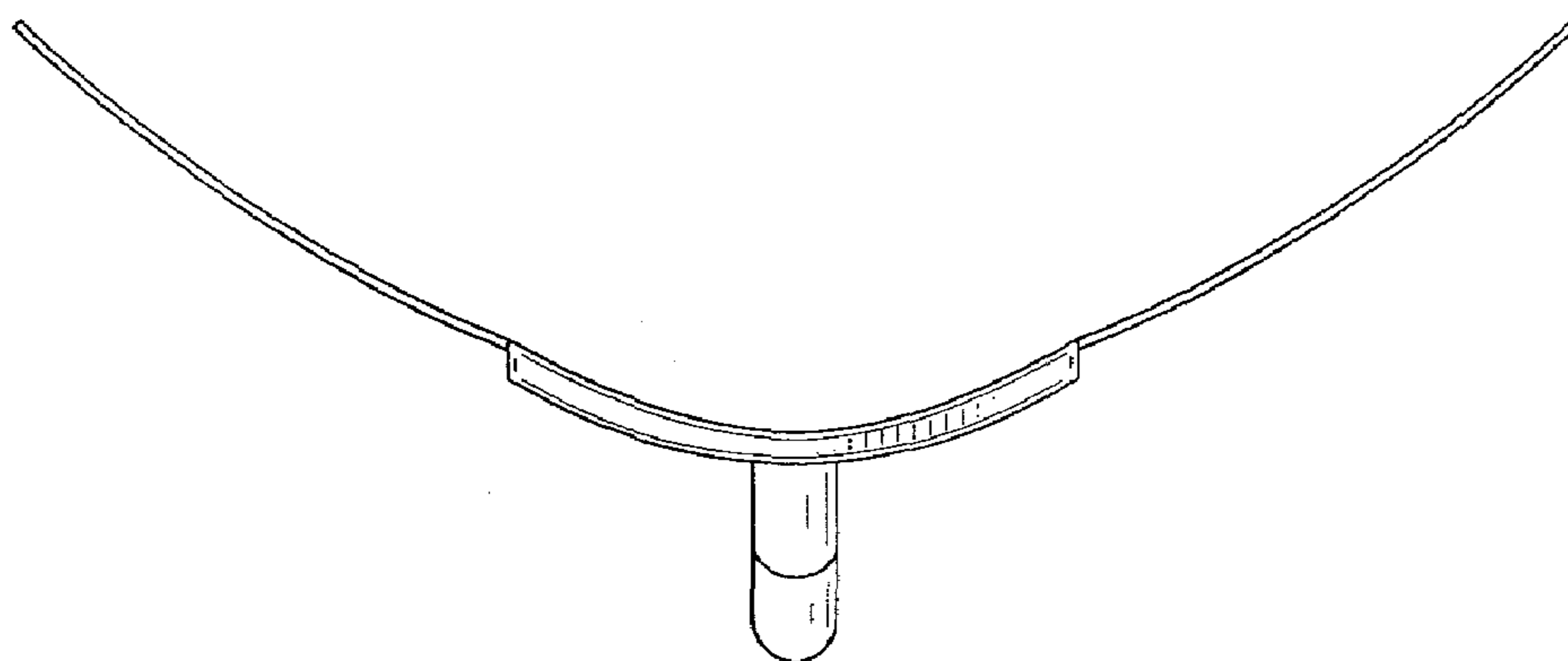


FIG. 7

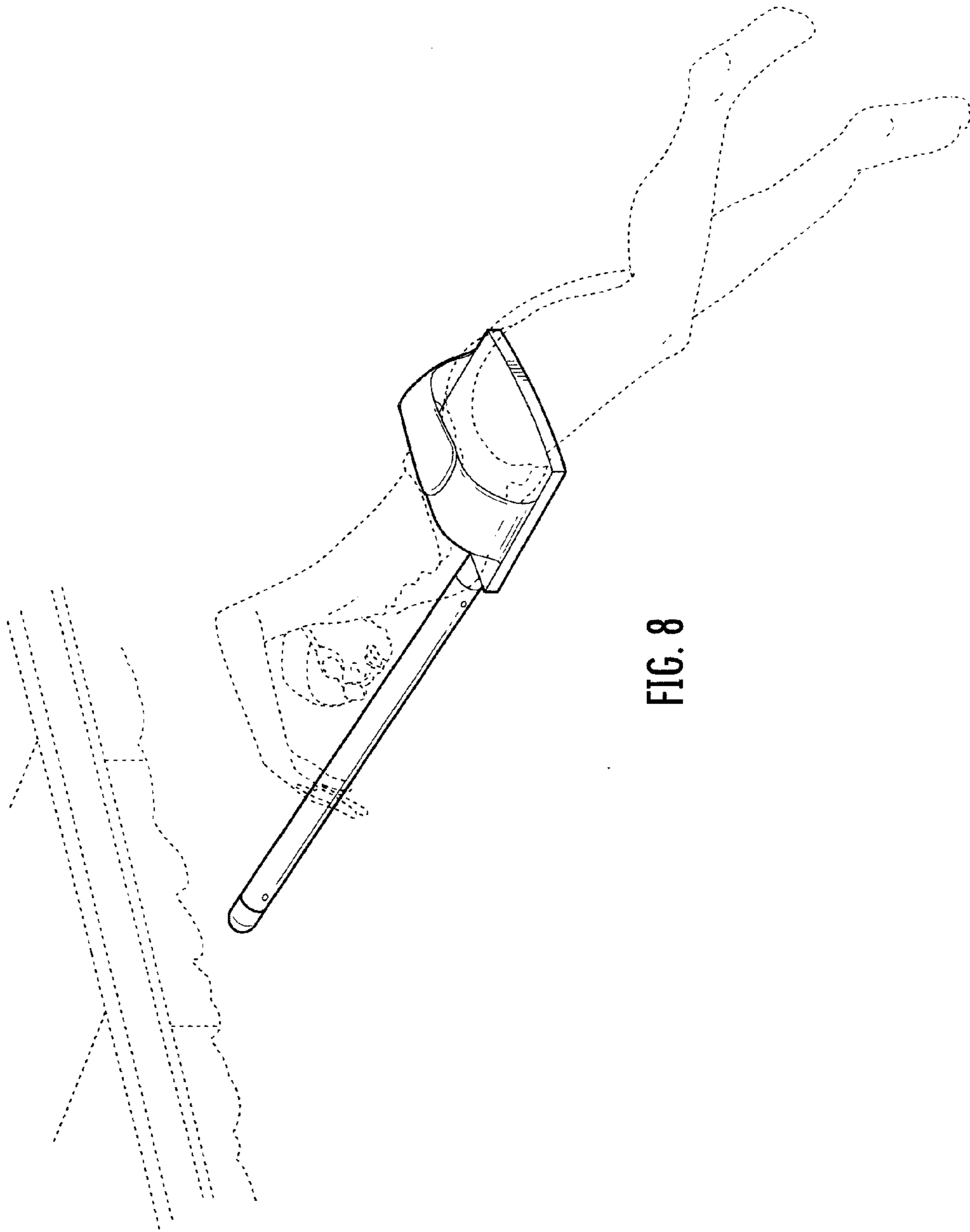


FIG. 8