



US00D598969S

(12) **United States Design Patent**
Deason

(10) **Patent No.:** **US D598,969 S**

(45) **Date of Patent:** **** *Aug. 25, 2009**

(54) **POOL TABLE BASE**

(76) **Inventor:** **Jack Deason**, 12702 Los Coches Ct.,
Lakeside, CA (US) 92040

(*) **Notice:** This patent is subject to a terminal disclaimer.

(**) **Term:** **14 Years**

(21) **Appl. No.:** **29/281,190**

(22) **Filed:** **Jun. 18, 2007**

(51) **LOC (9) Cl.** **06-06**

(52) **U.S. Cl.** **D21/783; D6/495**

(58) **Field of Classification Search** D21/782-784;
D6/329, 360, 491-496, 422, 423, 428; 473/1,
473/4, 6, 7, 8, 9, 17, 19, 28, 31, 33; 273/236;
248/127, 158, 161, 188, 188.1, 188.8, 346.01,
248/346.02

See application file for complete search history.

(56) **References Cited**

U.S. PATENT DOCUMENTS

4,718,719 A * 1/1988 Brennan 297/216.2
5,383,635 A * 1/1995 Barone 248/188.1
D419,005 S * 1/2000 McDiarmid D6/495
D452,783 S * 1/2002 Hecht et al. D6/495
D456,184 S 4/2002 Boles

D461,071 S * 8/2002 Diaz-Azcuy D6/495
D464,219 S * 10/2002 Hecht et al. D6/495
D507,322 S 7/2005 Hobbs
D543,734 S * 6/2007 Aubriot et al. D6/495

* cited by examiner

Primary Examiner—Prabhakar Deshmukh

(57) **CLAIM**

The ornamental design for a pool table base, as shown and described.

DESCRIPTION

FIG. 1 is a perspective view of a pool table base showing my new design;

FIG. 2 is a left side elevational view thereof;

FIG. 3 is a right side elevational view thereof;

FIG. 4 is a top plan view thereof;

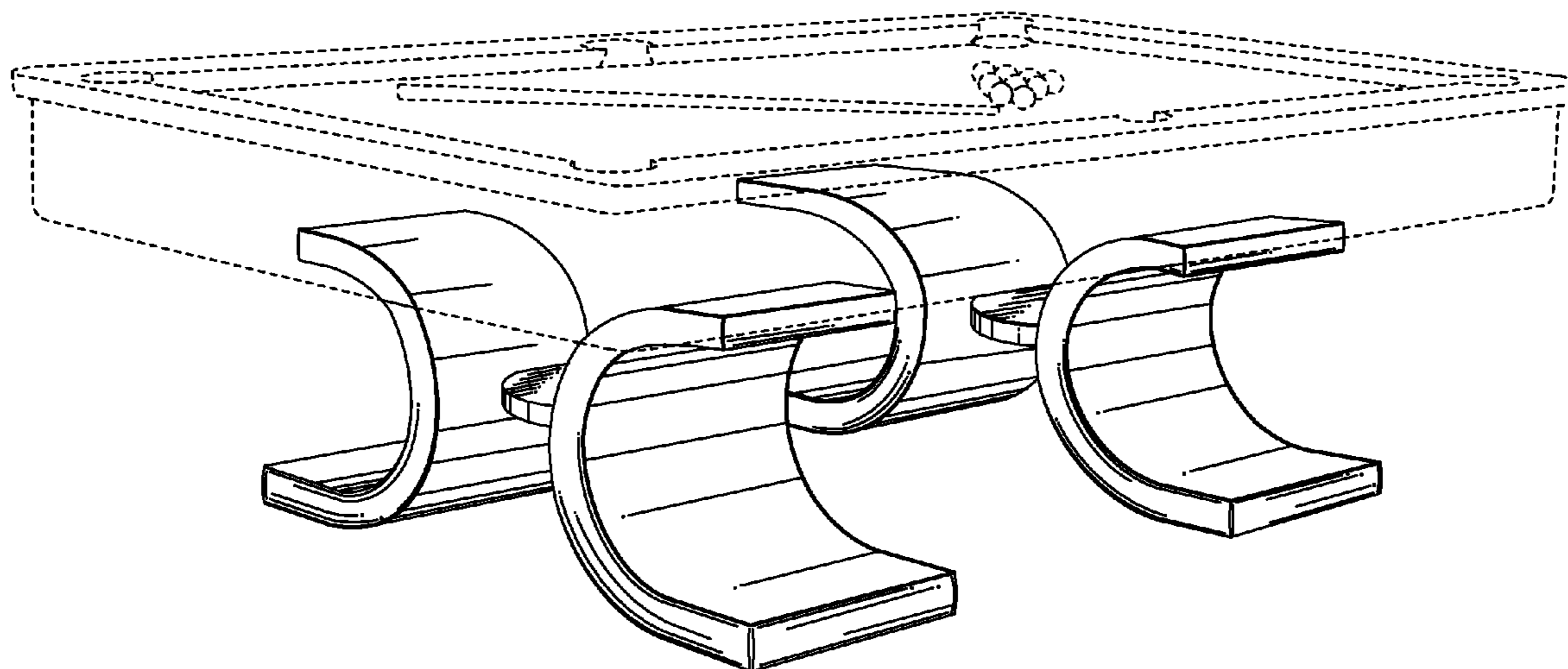
FIG. 5 is a bottom plan view thereof;

FIG. 6 is a front elevational view thereof; and,

FIG. 7 is a rear elevational view thereof.

FIGS. 6-7 show only one unit of the pool base. The broken lines are for illustrative purpose only and form no part of the claimed design.

1 Claim, 4 Drawing Sheets



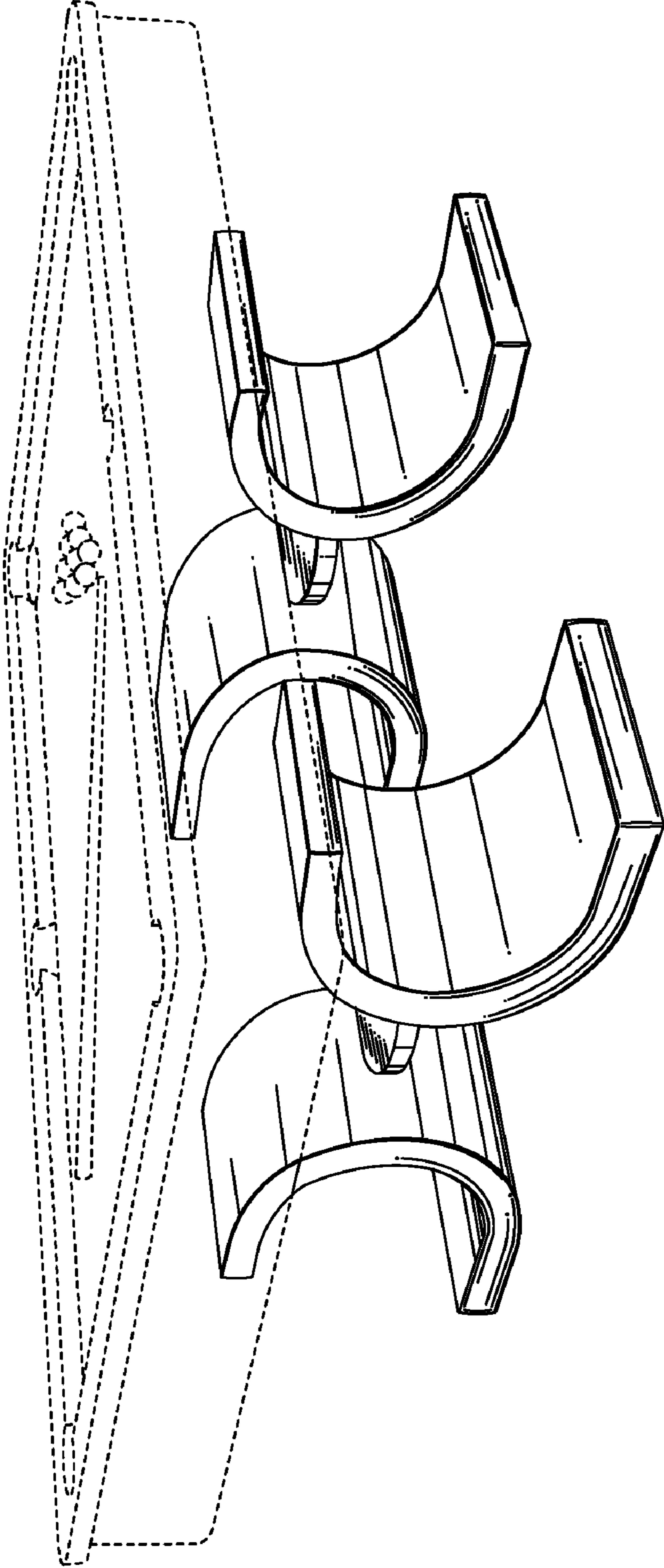


Figure 1

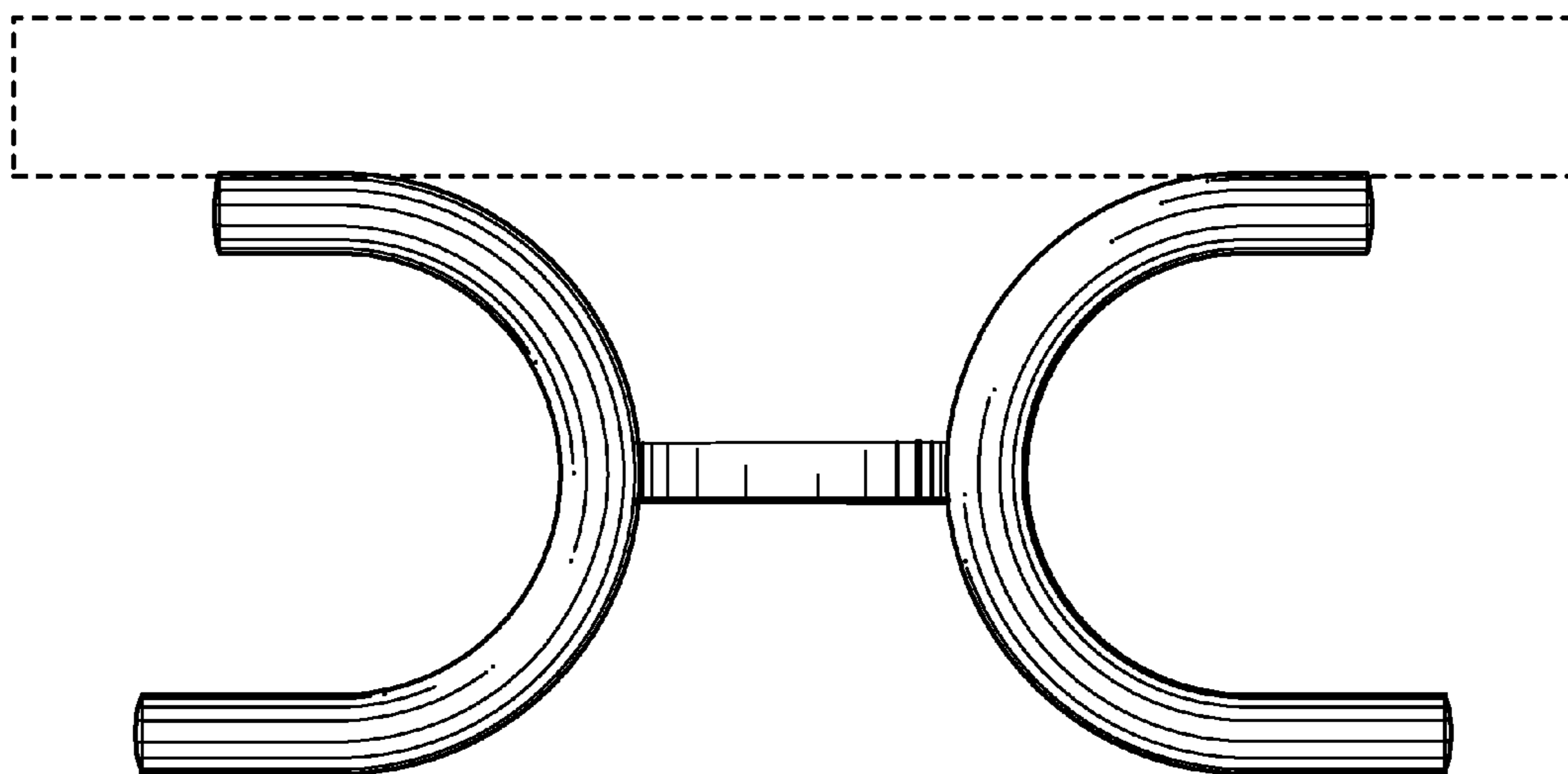


Figure 2

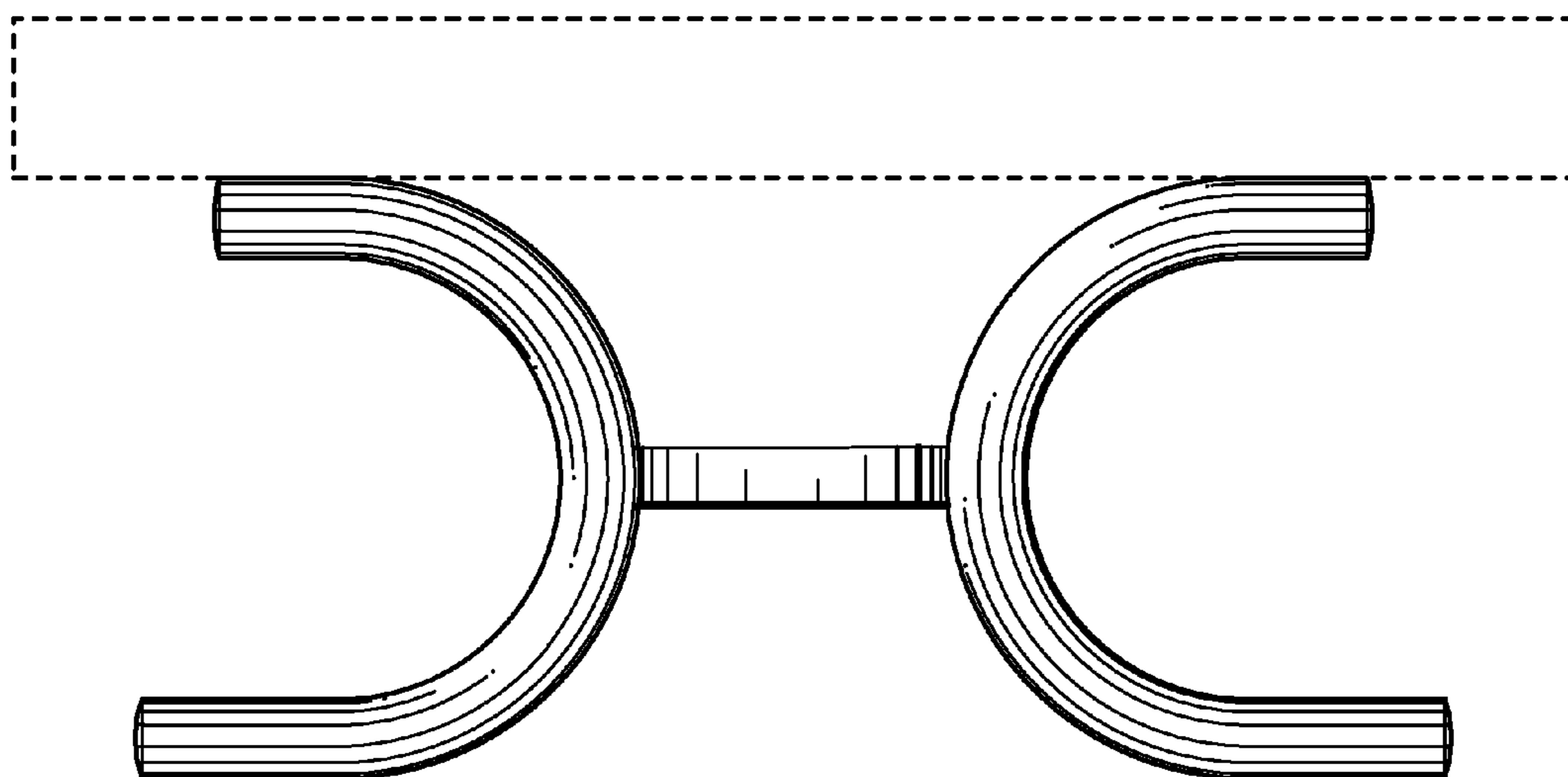


Figure 3

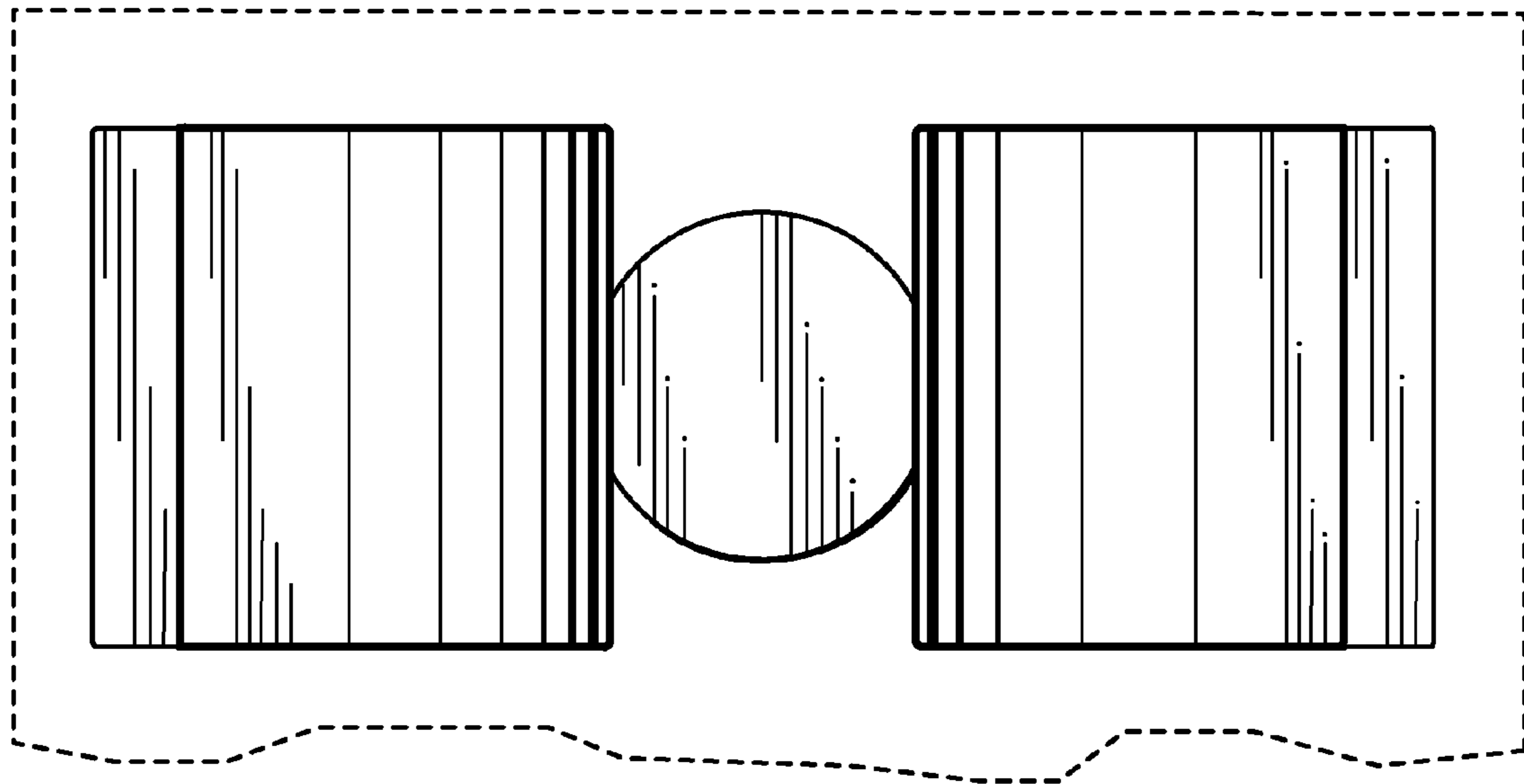


Figure 4

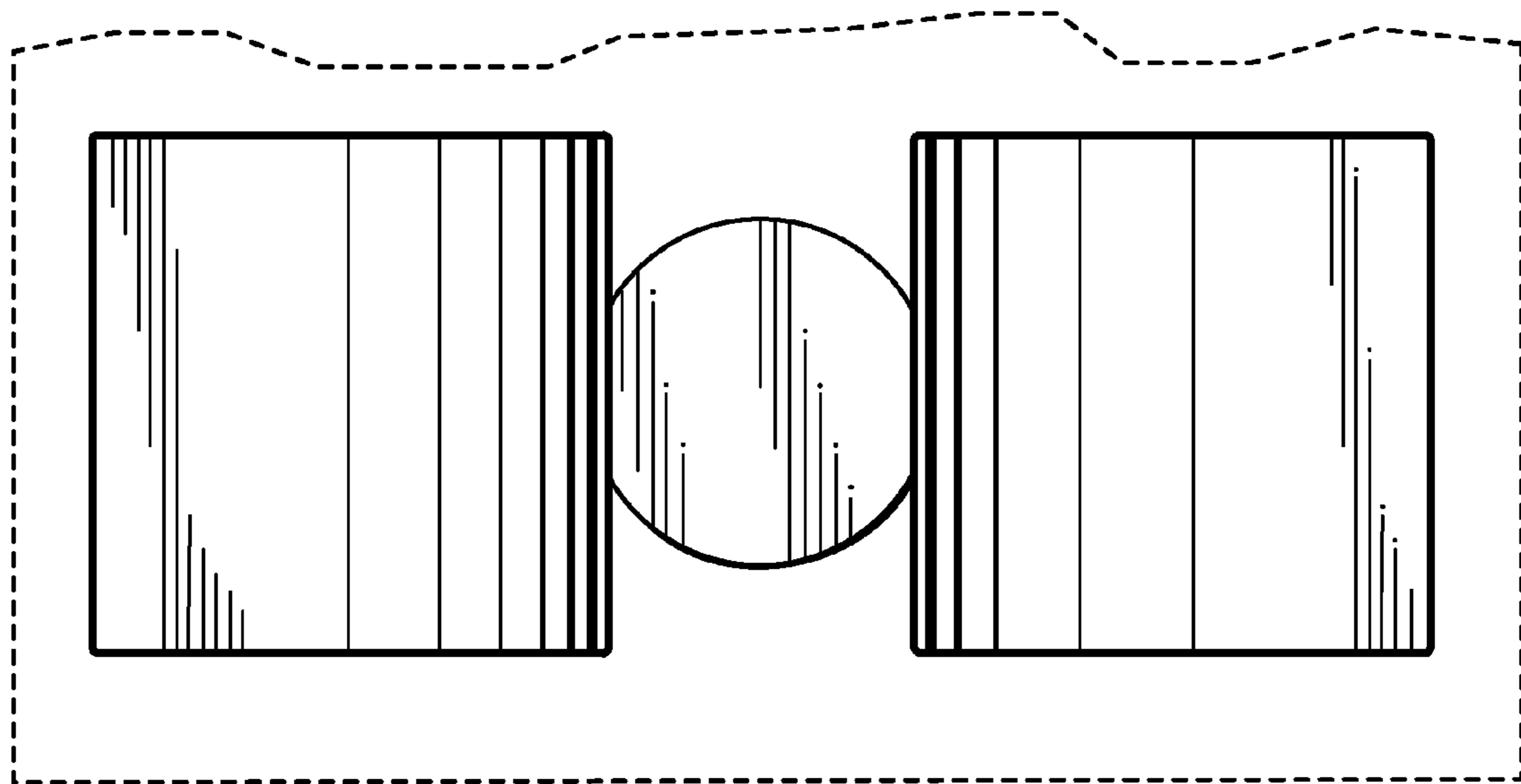


Figure 5

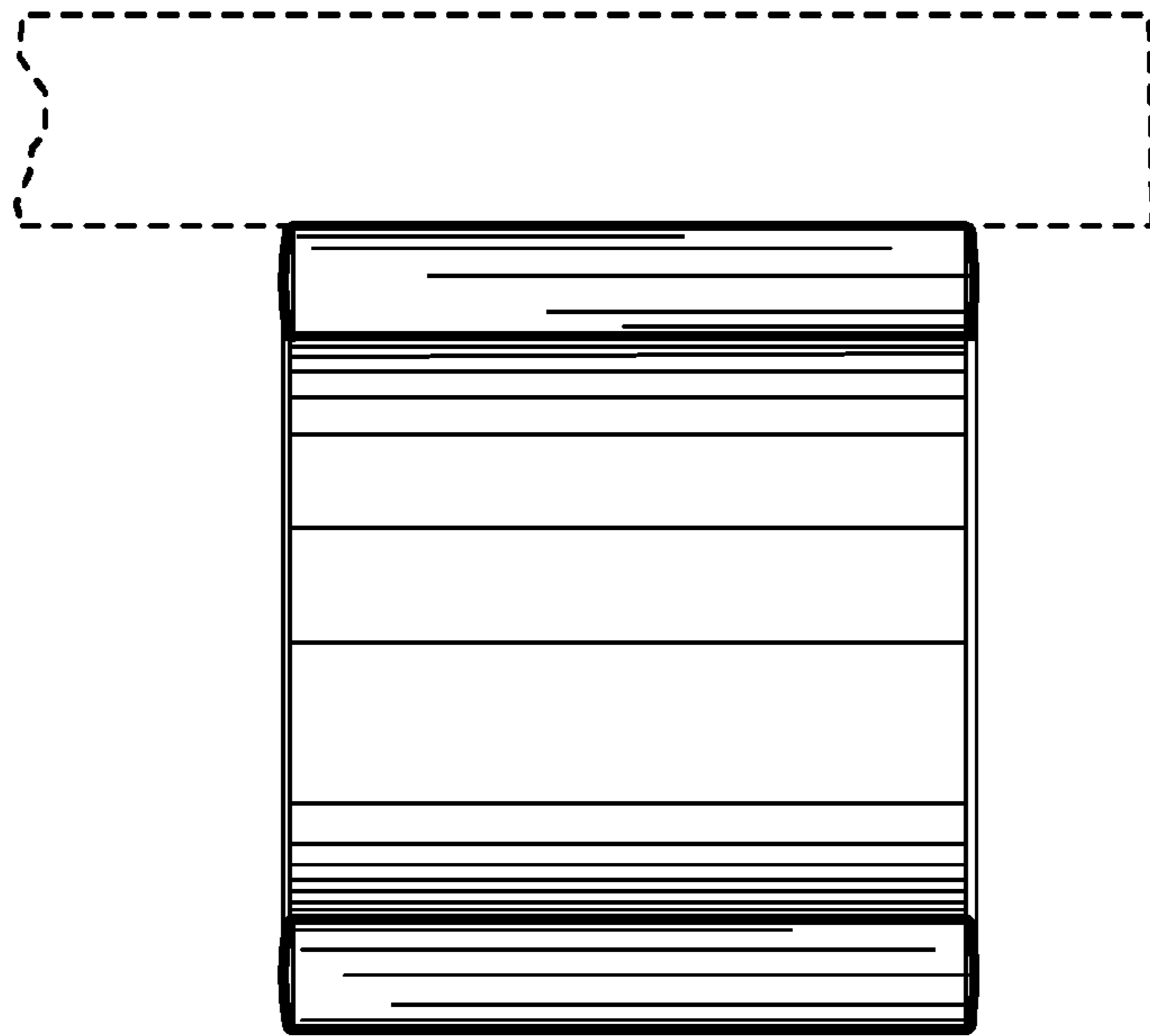


Figure 6

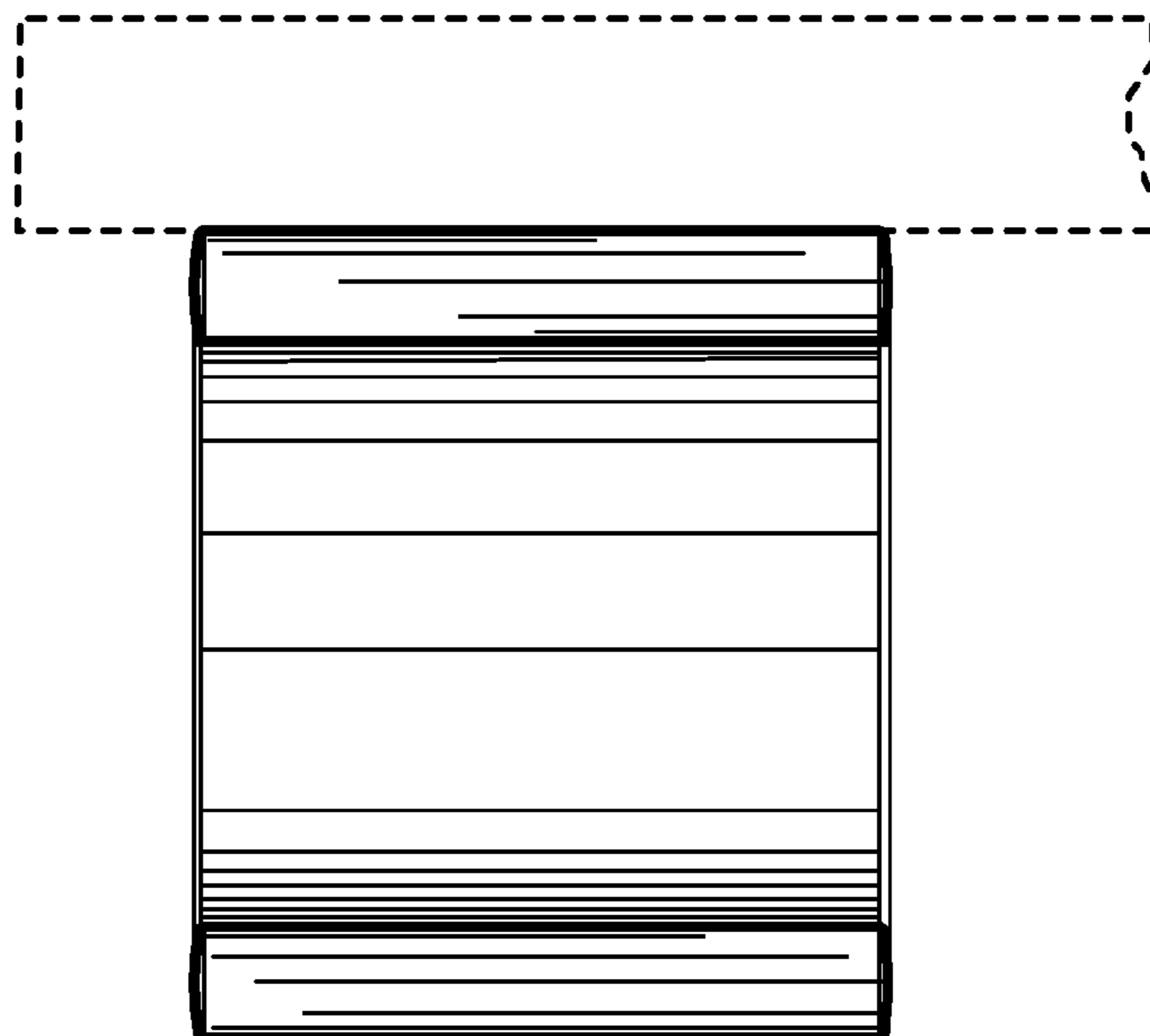


Figure 7