



US00D598965S

(12) **United States Design Patent**  
**Augustine et al.**

(10) **Patent No.:** **US D598,965 S**

(45) **Date of Patent:** **\*\* Aug. 25, 2009**

(54) **EXERCISE APPARATUS**

(75) Inventors: **David Augustine**, Chester, NJ (US);  
**Robert Nelson**, Rowlett, TX (US)

(73) Assignee: **Ab Coaster Holdings, Inc.**, Wilmington, DE (US)

(\*\*) Term: **14 Years**

(21) Appl. No.: **29/320,341**

(22) Filed: **Jun. 25, 2008**

(51) **LOC (9) Cl.** ..... **21-02**

(52) **U.S. Cl.** ..... **D21/673**

(58) **Field of Classification Search** ..... D21/662,  
D21/687, 673; 482/95, 96, 135, 136, 137,  
482/140, 142

See application file for complete search history.

(56) **References Cited**

**U.S. PATENT DOCUMENTS**

5,702,334	A *	12/1997	Lee	.....	482/140
5,769,766	A *	6/1998	Huang	.....	482/140
D404,432	S *	1/1999	Sands	.....	D21/662
5,871,425	A *	2/1999	Gvoich	.....	482/140
6,168,557	B1 *	1/2001	Liao	.....	482/140

D476,384	S *	6/2003	Perez	.....	D21/690
D496,701	S *	9/2004	Chung	.....	D21/687
D528,614	S *	9/2006	McVay et al.	.....	D21/687
7,160,233	B2 *	1/2007	Perez	.....	482/140
7,169,097	B1 *	1/2007	Stearns	.....	482/142

\* cited by examiner

*Primary Examiner*—Philip S Hyder

(74) *Attorney, Agent, or Firm*—Cislo & Thomas, LLP

(57) **CLAIM**

We claim the ornamental design for an exercise apparatus, as shown and described.

**DESCRIPTION**

FIG. 1 is a perspective view of an exercise apparatus, showing my new design;

FIG. 2 is a front elevational view of the invention;

FIG. 3 is a rear elevational view of the invention;

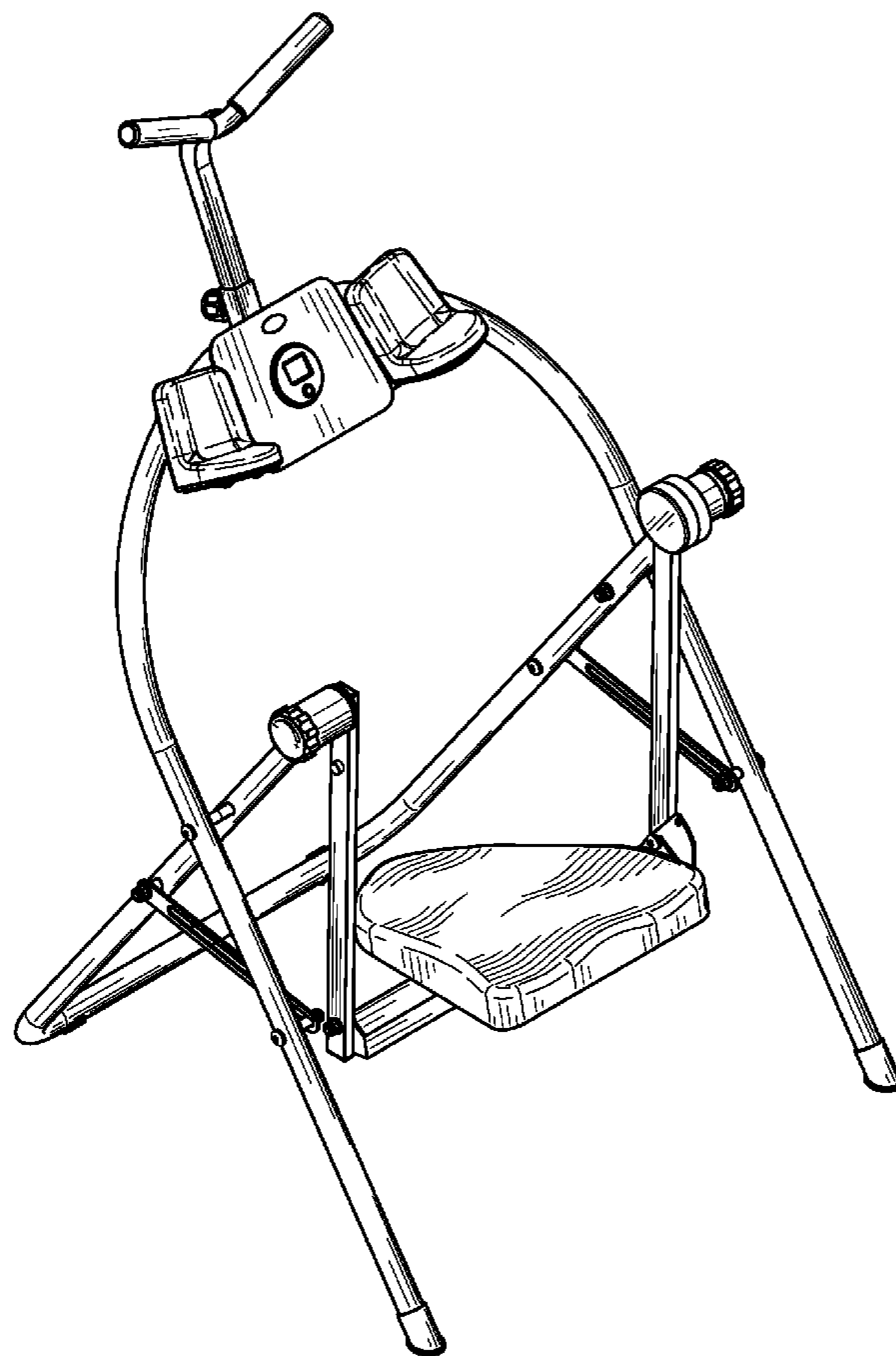
FIG. 4 is a left-side elevational view of the invention;

FIG. 5 is a right-side elevational view of the invention;

FIG. 6 is a top plan view of the invention; and,

FIG. 7 is a bottom plan view of the invention.

**1 Claim, 7 Drawing Sheets**



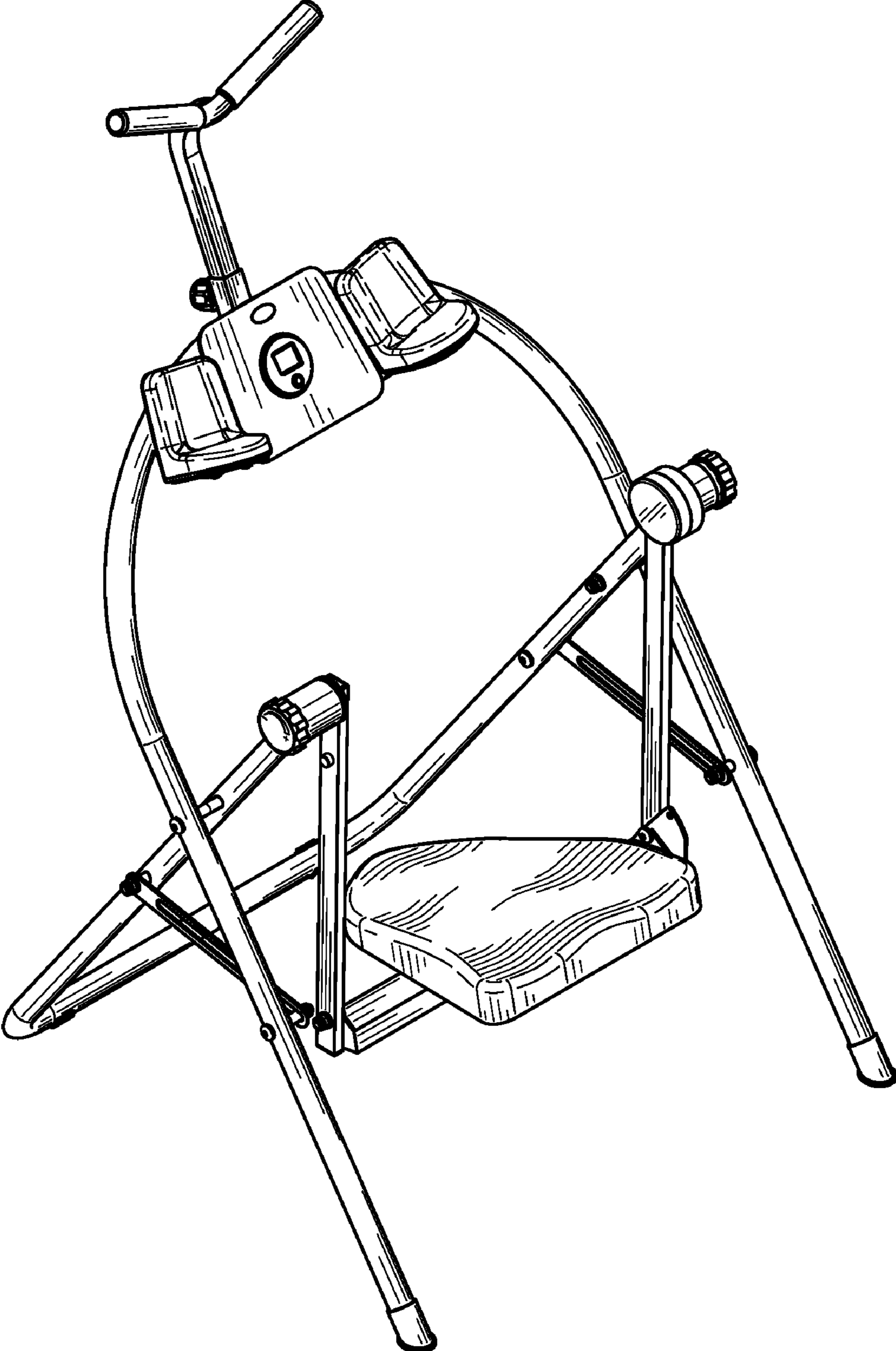


FIG. 1

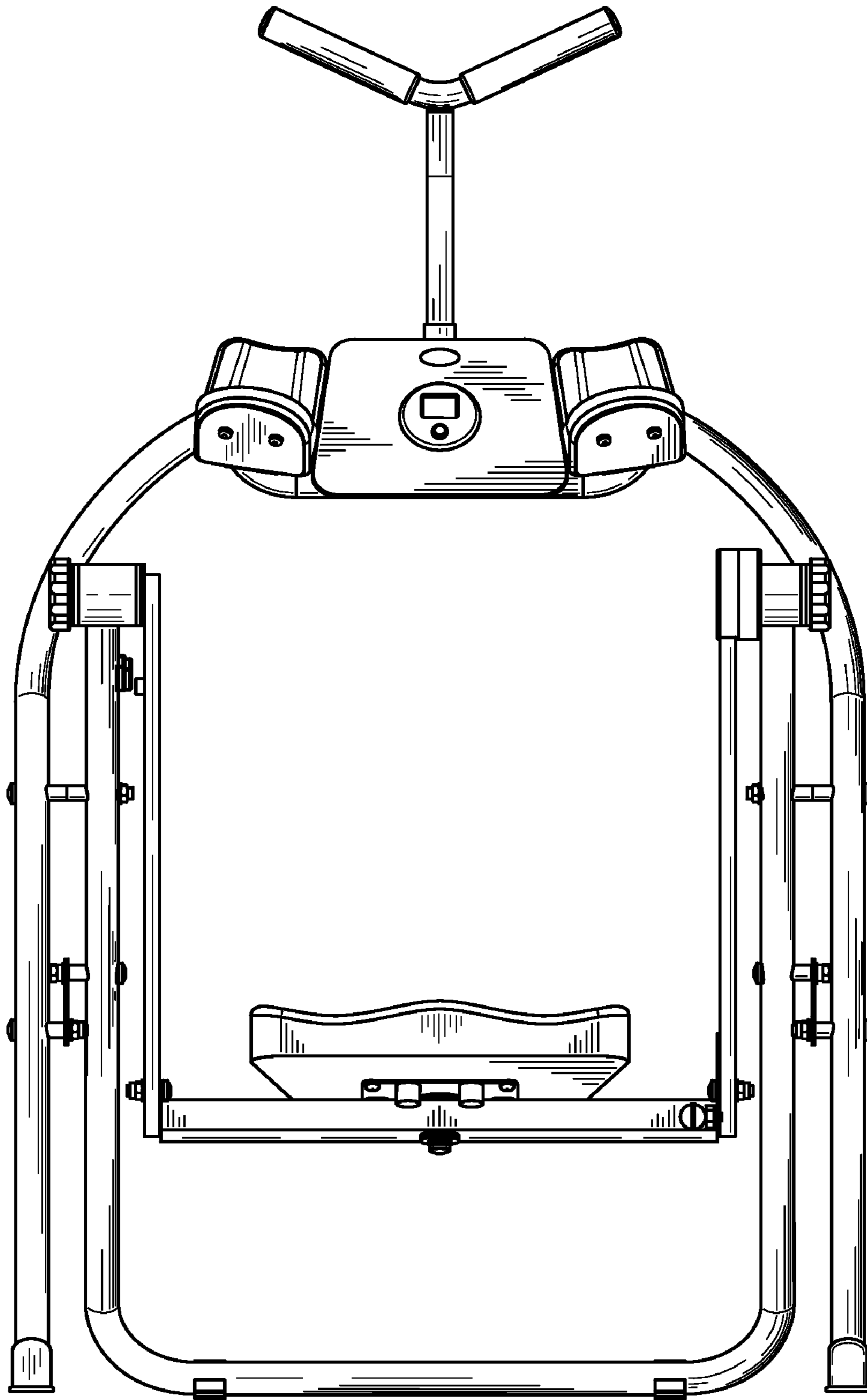


FIG. 2

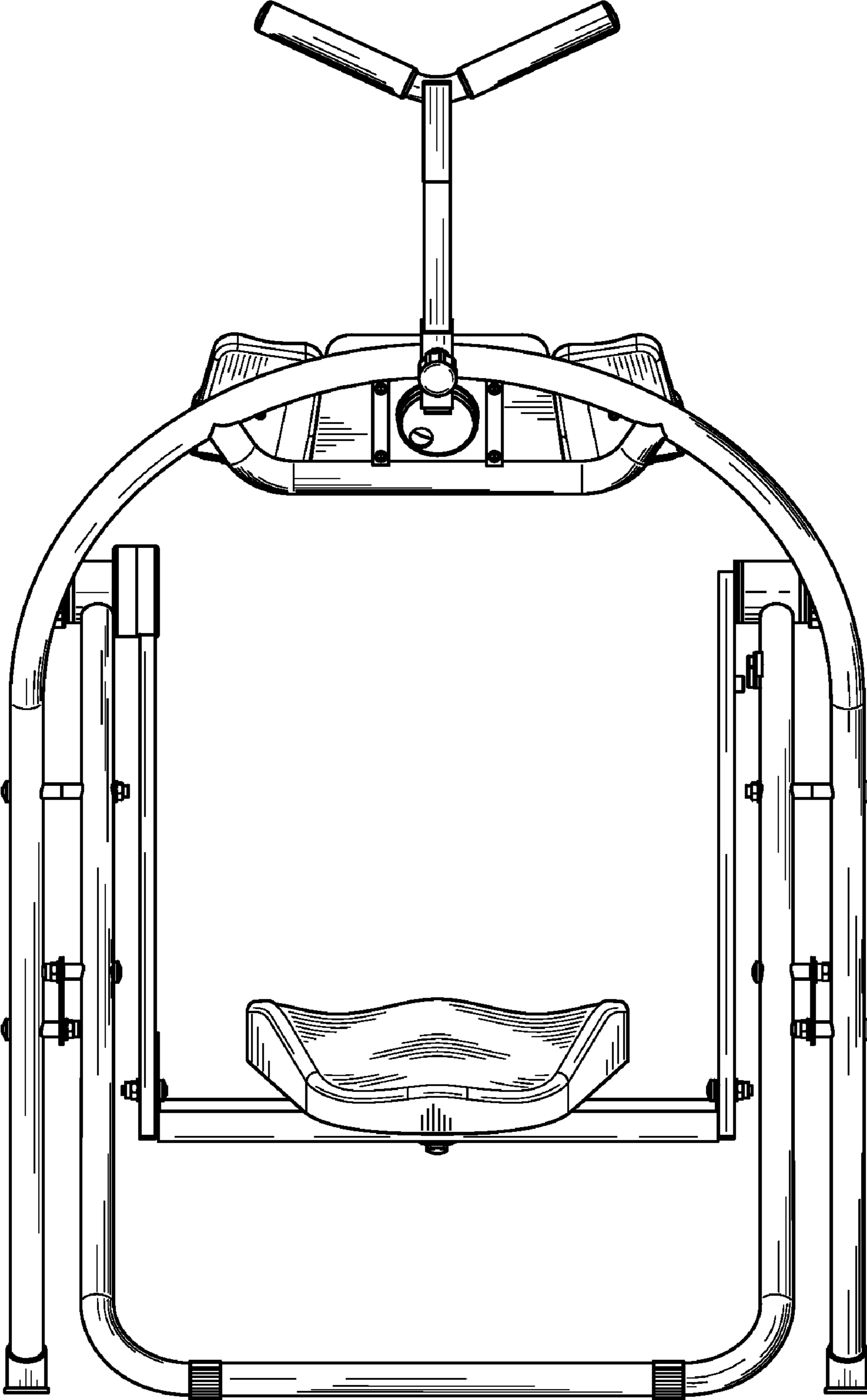


FIG. 3

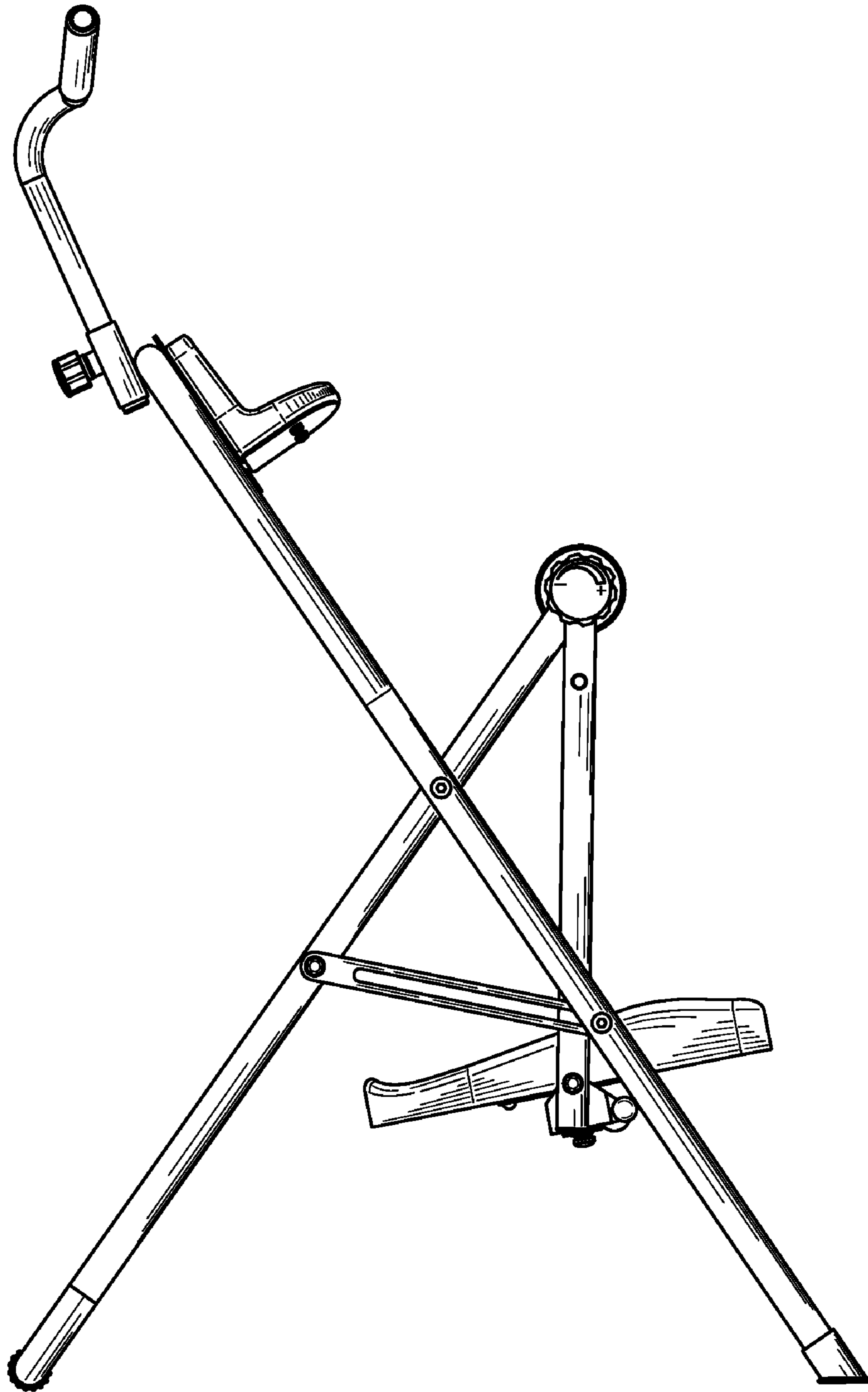


FIG. 4

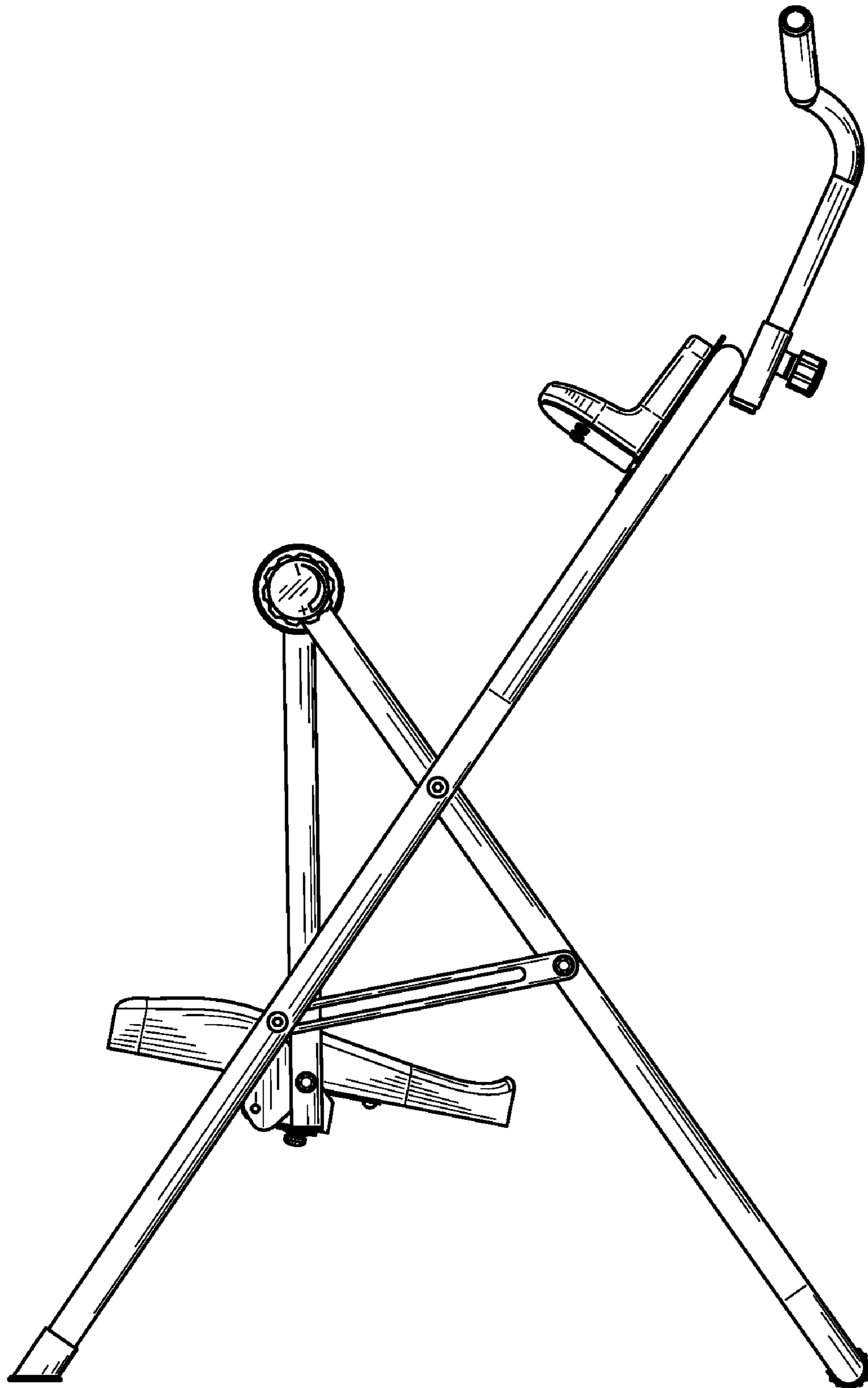


FIG. 5

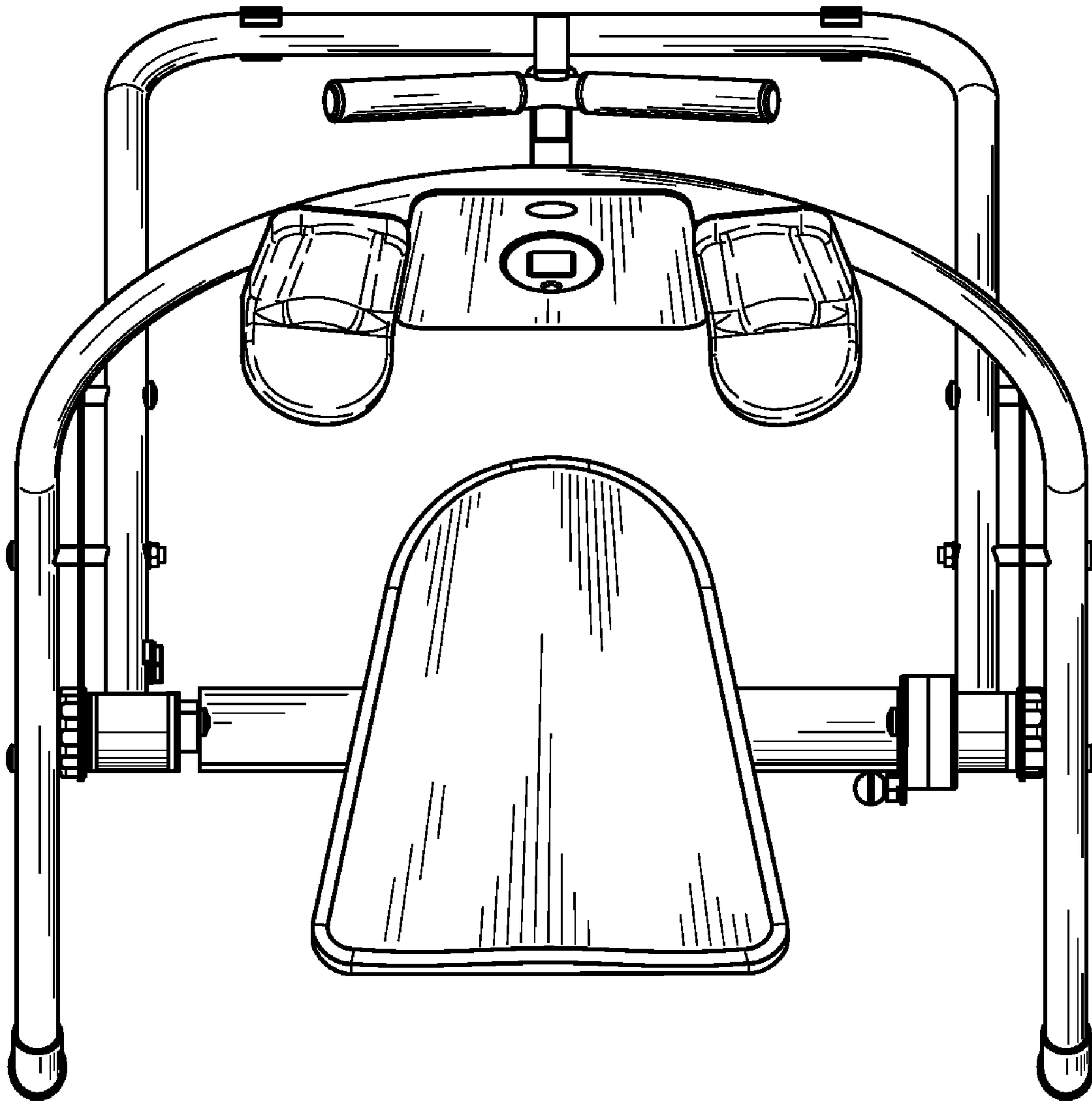


FIG. 6

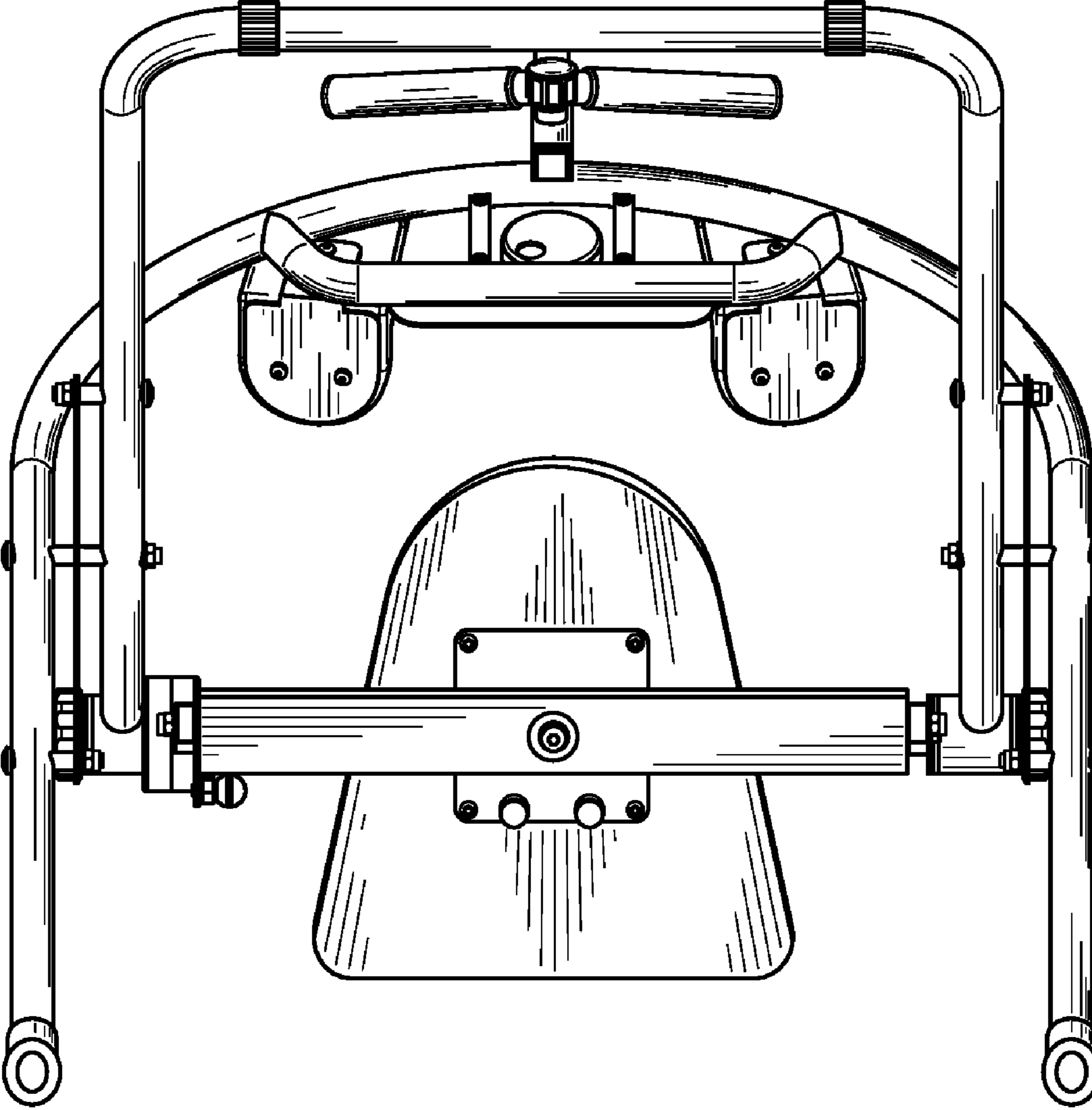


FIG. 7