



US00D598962S

(12) **United States Design Patent**  
**Hetman**

(10) **Patent No.:** **US D598,962 S**

(45) **Date of Patent:** **\*\* \*Aug. 25, 2009**

(54) **REMOTE CONTROL TRANSMITTER**

(75) **Inventor:** **Michael G. Hetman**, New Smyrna Beach, FL (US)

(73) **Assignee:** **Top Notch Toys Ltd., Co.**, Kowloon (HK)

(\*) **Notice:** This patent is subject to a terminal disclaimer.

(\*\*) **Term:** **14 Years**

(21) **Appl. No.:** **29/324,740**

(22) **Filed:** **Sep. 19, 2008**

(51) **LOC (9) Cl.** ..... **21-01**

(52) **U.S. Cl.** ..... **D21/566; D8/359**

(58) **Field of Classification Search** ..... D8/358, D8/359; D21/566; D13/168; D14/400, D14/454, 217, 218, 358; D22/140, 141; 446/454-456; 463/7, 37, 39, 46; 242/396.6-396.9, 242/486.6-486.9

See application file for complete search history.

(56) **References Cited**

**U.S. PATENT DOCUMENTS**

2,896,878	A *	7/1959	Wetzel	.....	242/396.9
4,106,719	A *	8/1978	Haverland	.....	242/396.6
4,238,086	A *	12/1980	Brimmeier	.....	242/396.7
4,717,086	A *	1/1988	Crow	.....	242/486.9

4,762,286	A *	8/1988	Crow	.....	242/486.9
4,796,827	A *	1/1989	Munt et al.	.....	242/388.6
4,915,320	A *	4/1990	Neal	.....	242/390.8
D353,643	S *	12/1994	Shipley	.....	D22/140
6,402,075	B1 *	6/2002	Grimes	.....	242/395
6,517,022	B1 *	2/2003	Bailey	.....	242/395
D533,771	S *	12/2006	Glenn	.....	D8/359

\* cited by examiner

*Primary Examiner*—Holly H Baynham

*Assistant Examiner*—Cynthia M Chin

(74) *Attorney, Agent, or Firm*—Keusey, Tutunjian & Bitetto, P.C.

(57) **CLAIM**

The ornamental design for a remote control transmitter, as shown and described.

**DESCRIPTION**

FIG. 1 is a perspective view of the remote control transmitter showing my new design;

FIG. 2 is a left side view thereof;

FIG. 3 is a front view thereof;

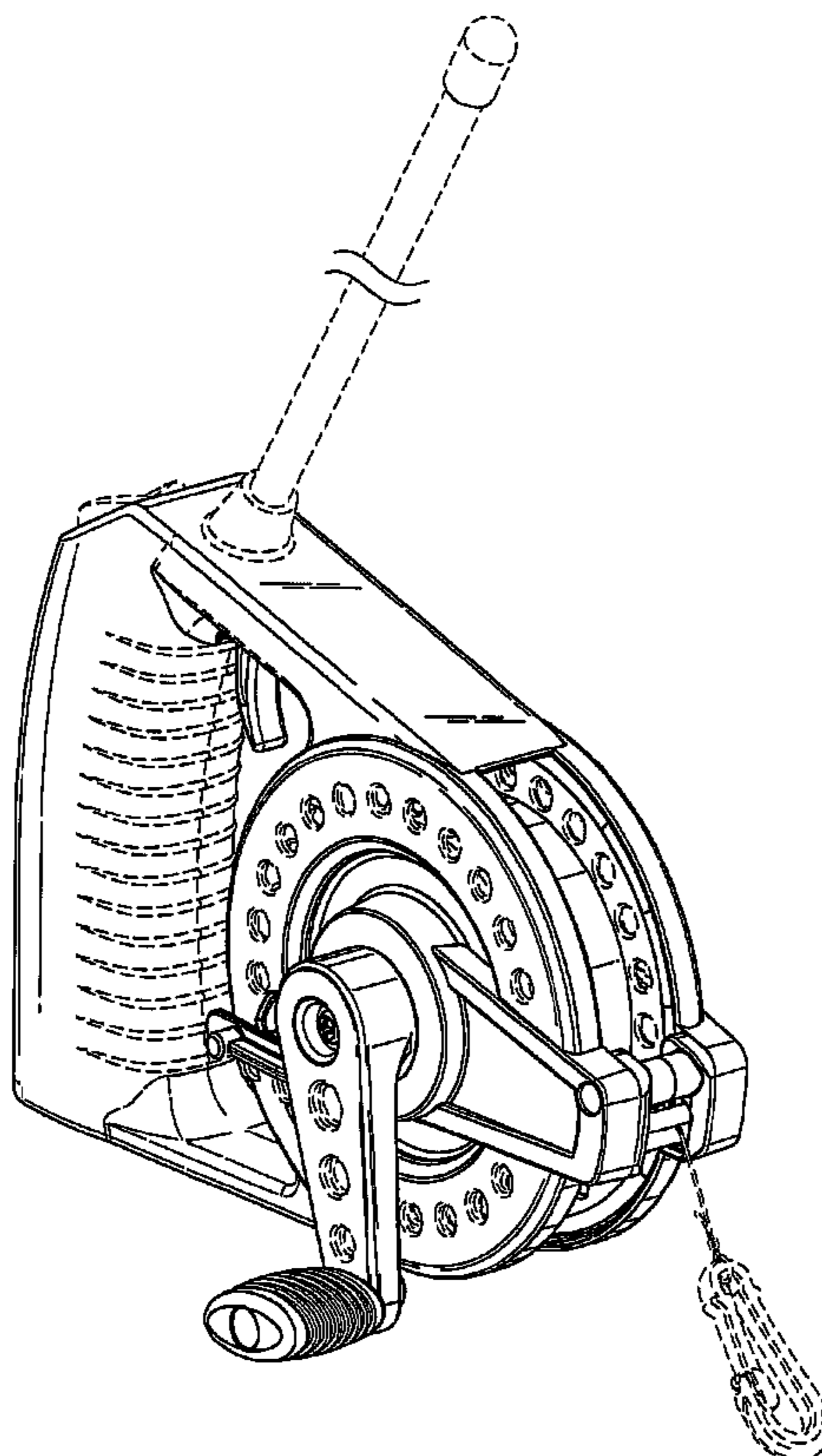
FIG. 4 is a right side view thereof;

FIG. 5 is rear view thereof;

FIG. 6 is a top view thereof; and,

FIG. 7 is a bottom view thereof.

**1 Claim, 7 Drawing Sheets**



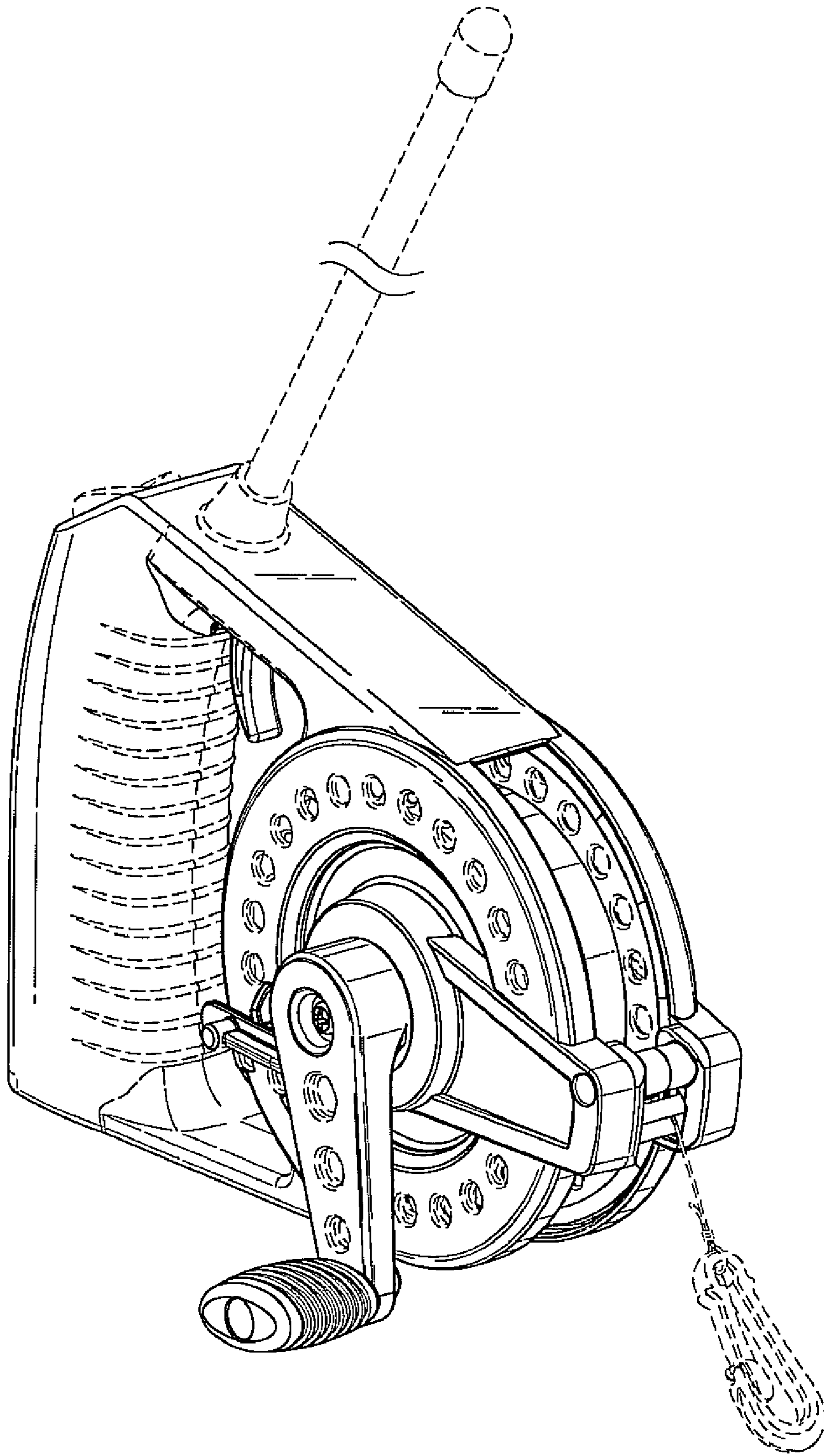
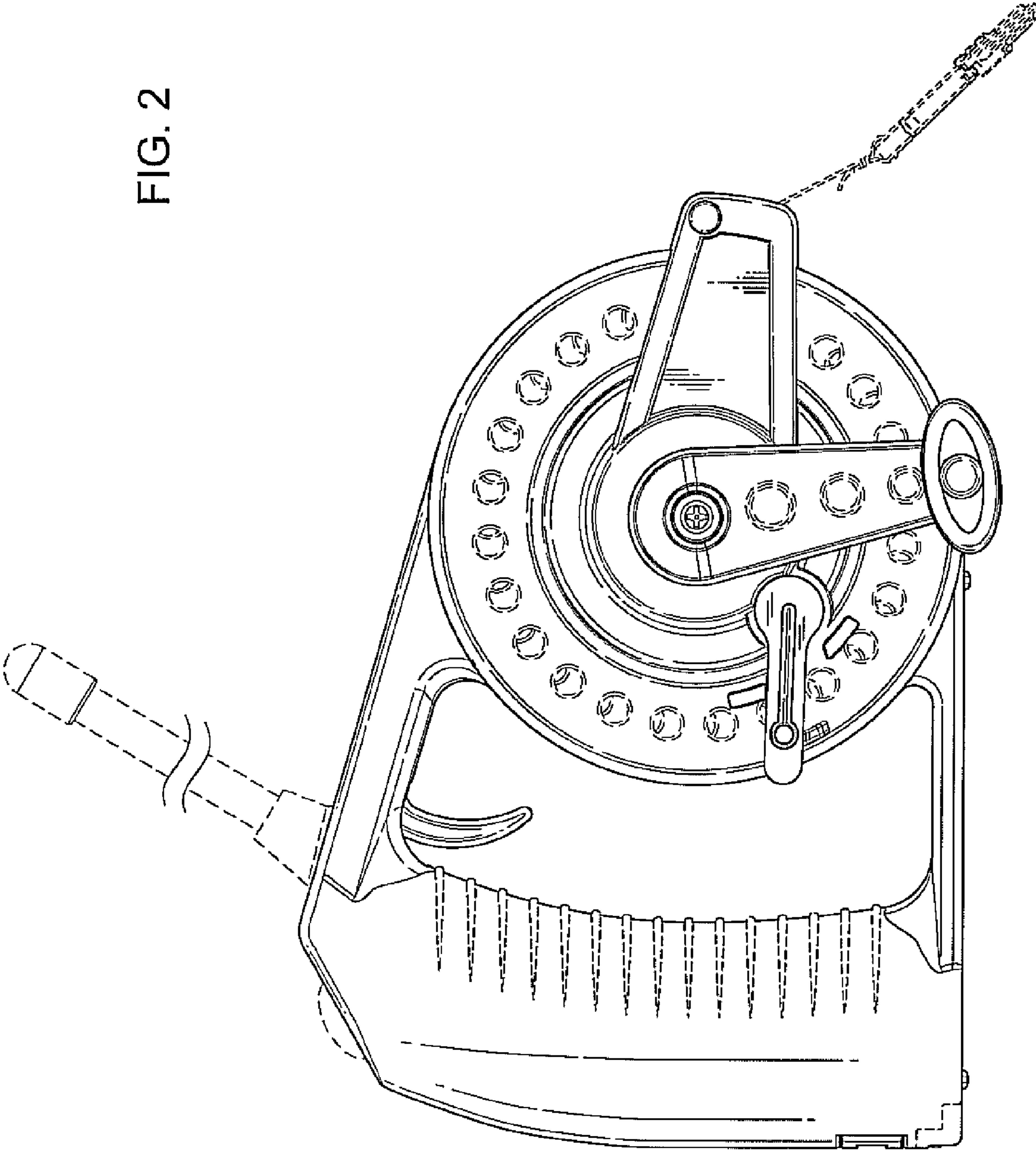


FIG. 1

FIG. 2



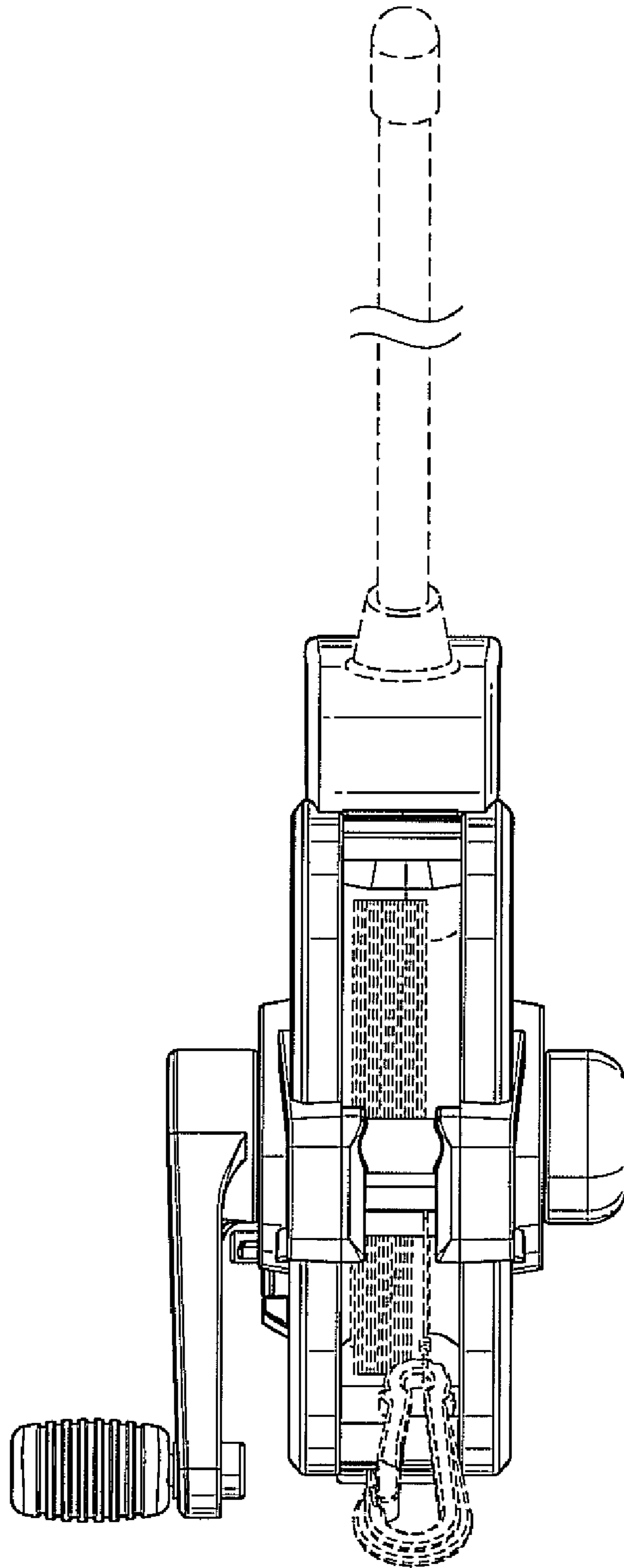


FIG. 3

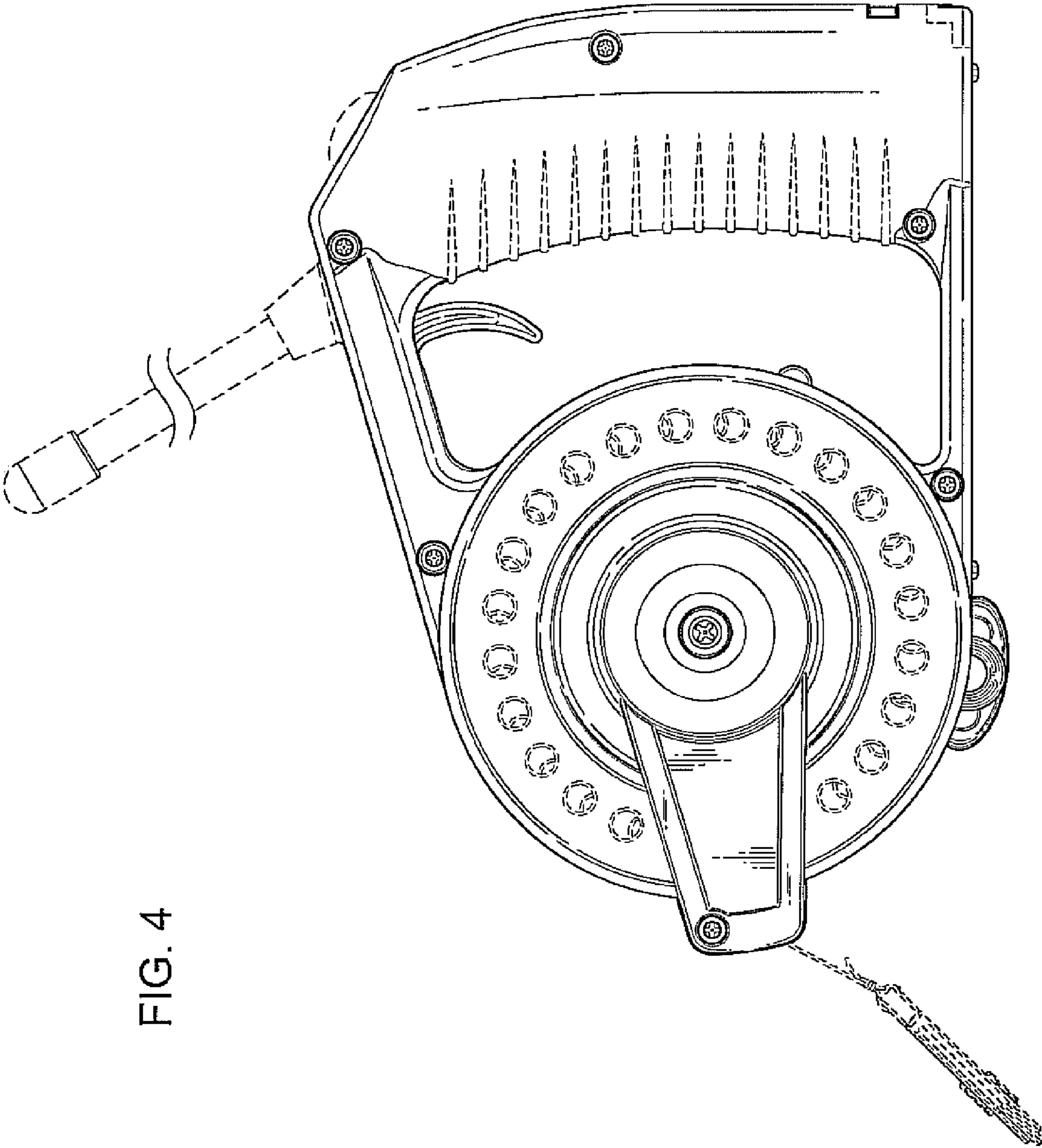


FIG. 4

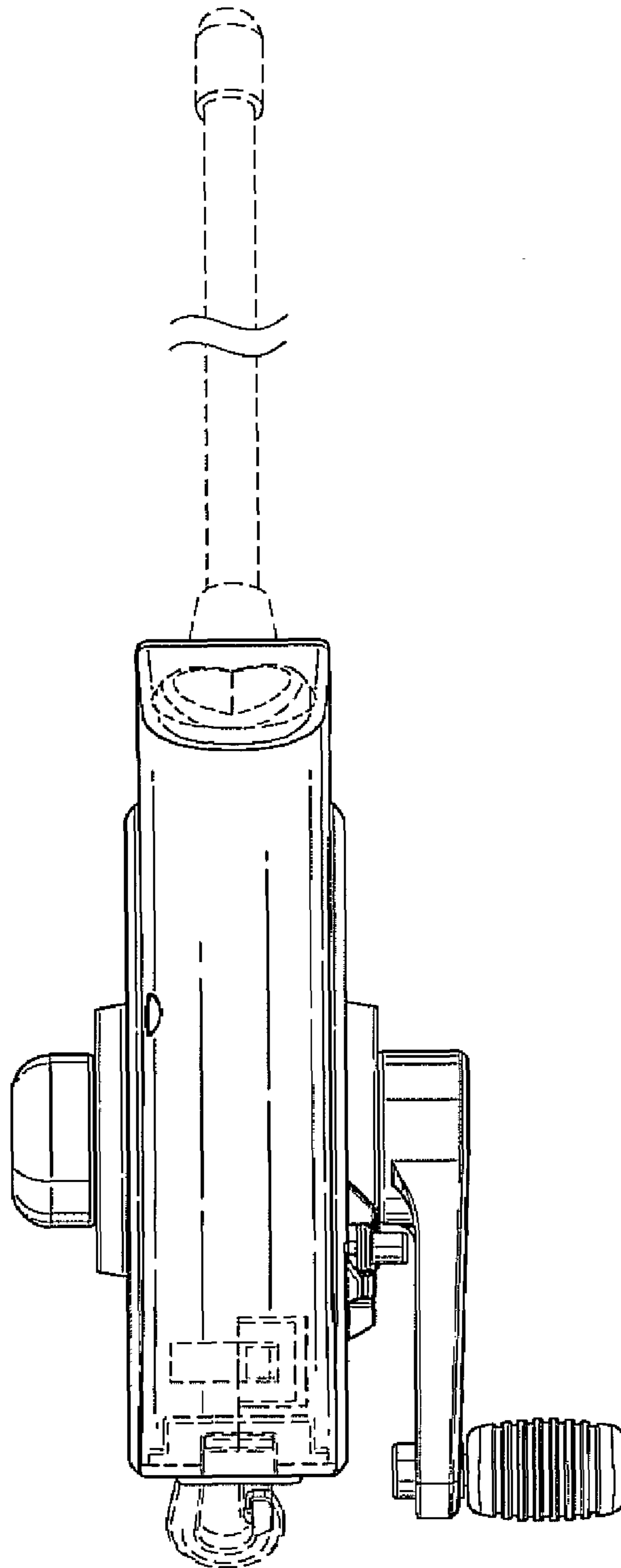


FIG. 5

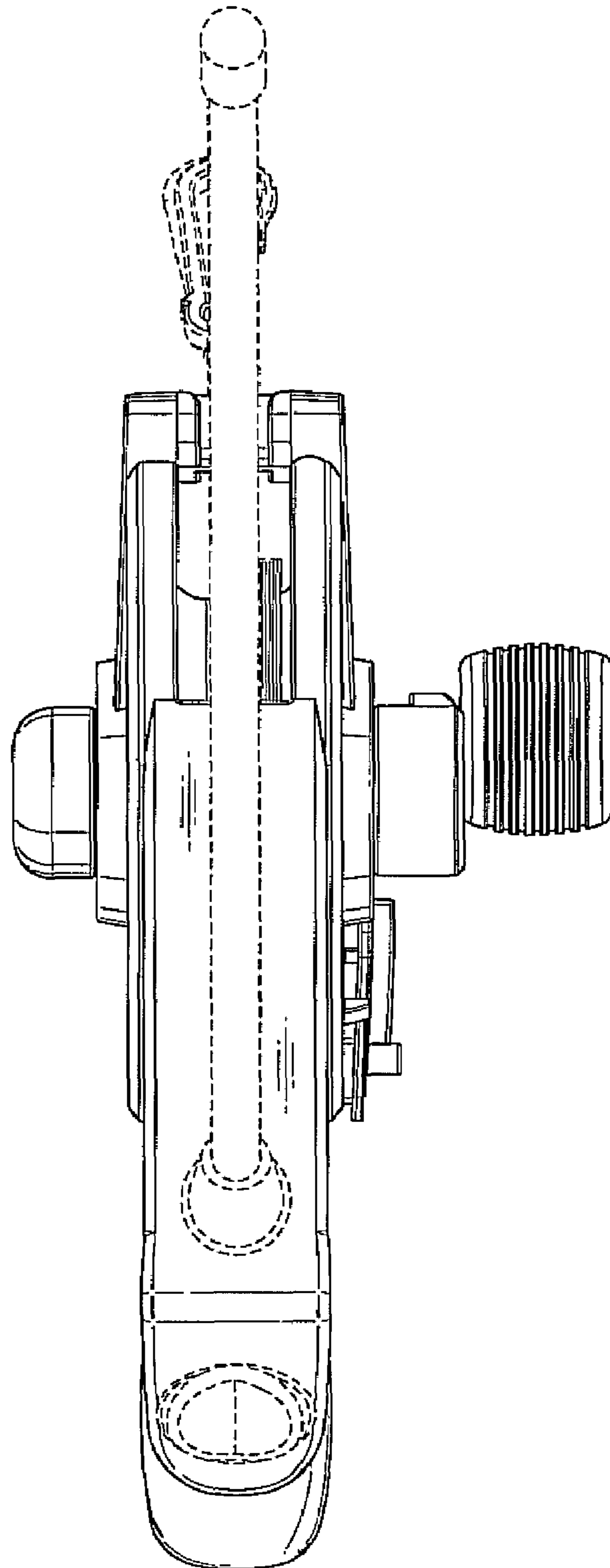


FIG. 6

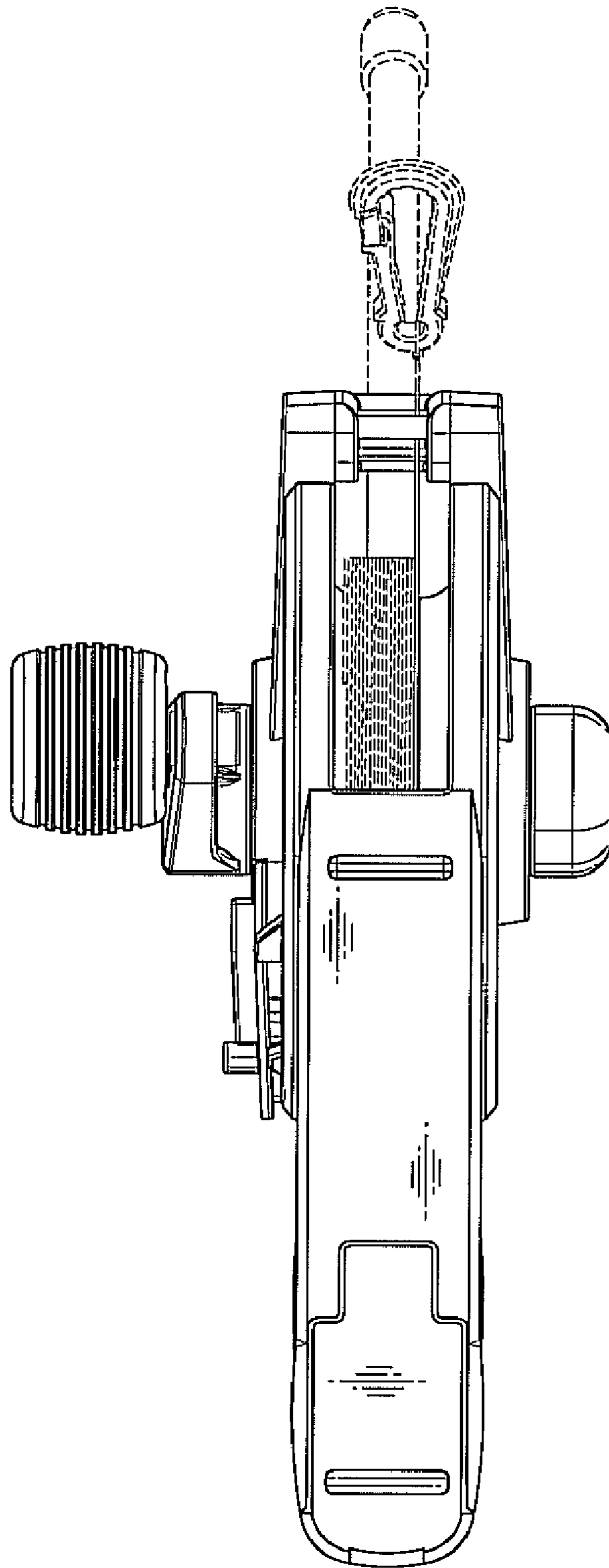


FIG. 7