



US00D598960S

(12) **United States Design Patent**  
**Brown**

(10) **Patent No.:** **US D598,960 S**

(45) **Date of Patent:** **\*\* Aug. 25, 2009**

(54) **CHESS SET**

(57) **CLAIM**

(75) Inventor: **Jeffrey Carl Brown**, Minneapolis, MN (US)

The ornamental design for a chess set, as shown and described.

(73) Assignee: **Scythe, Inc.**, Minneapolis, MN (US)

**DESCRIPTION**

(\*\*) Term: **14 Years**

FIG. 1 is a reduced front view of the chess set, showing my new design;

(21) Appl. No.: **29/281,428**

FIG. 2 is a front view of the king piece, shown separately for ease of illustration;

(22) Filed: **Jun. 22, 2007**

FIG. 3 is a right side view thereof;

(51) **LOC (9) Cl.** ..... **21-01**

FIG. 4 is a rear view thereof;

(52) **U.S. Cl.** ..... **D21/389**

FIG. 5 is a front view of the queen piece, shown separately for ease of illustration;

(58) **Field of Classification Search** ..... D21/385-389;  
273/255, 260-261, 285-288

FIG. 6 is a left side view thereof;

See application file for complete search history.

FIG. 7 is a rear view thereof;

(56) **References Cited**

FIG. 8 is a front view of the bishop piece, shown separately for ease of illustration;

**U.S. PATENT DOCUMENTS**

FIG. 9 is a left side view thereof;

2,342,899	A *	2/1944	Sands, Jr.	273/260
D158,517	S	5/1950	Schlossberg	
D163,464	S	5/1951	Logan	
D171,248	S	1/1954	Cimillo	
D172,810	S	8/1954	Sellers	
D174,817	S	5/1955	Kenyon, II	
2,964,323	A *	12/1960	Moses	273/255
D237,896	S	12/1975	Swartout	
D249,288	S	9/1978	Hodkin	
D266,012	S	8/1982	Shyu	
D266,099	S	9/1982	Shyu	
D272,922	S	3/1984	Rewald	
5,443,268	A	8/1995	Mayfield	
D375,532	S	11/1996	Branham	
D442,642	S	5/2001	Gaylord	
D469,817	S	2/2003	Hargrave	
D493,198	S	7/2004	Starkel	

FIG. 10 is a rear view thereof;

FIG. 11 is a right view of the knight piece, shown separately for ease of illustration;

FIG. 12 is a top side view thereof;

FIG. 13 is a bottom view thereof;

FIG. 14 is a front view of the rook piece, shown separately for ease of illustration, the other sides being identical;

FIG. 15 is a top view thereof;

FIG. 16 is a front view of the pawn piece, shown separately for ease of illustration;

FIG. 17 is a right side view thereof; and,

FIG. 18 is a rear view thereof.

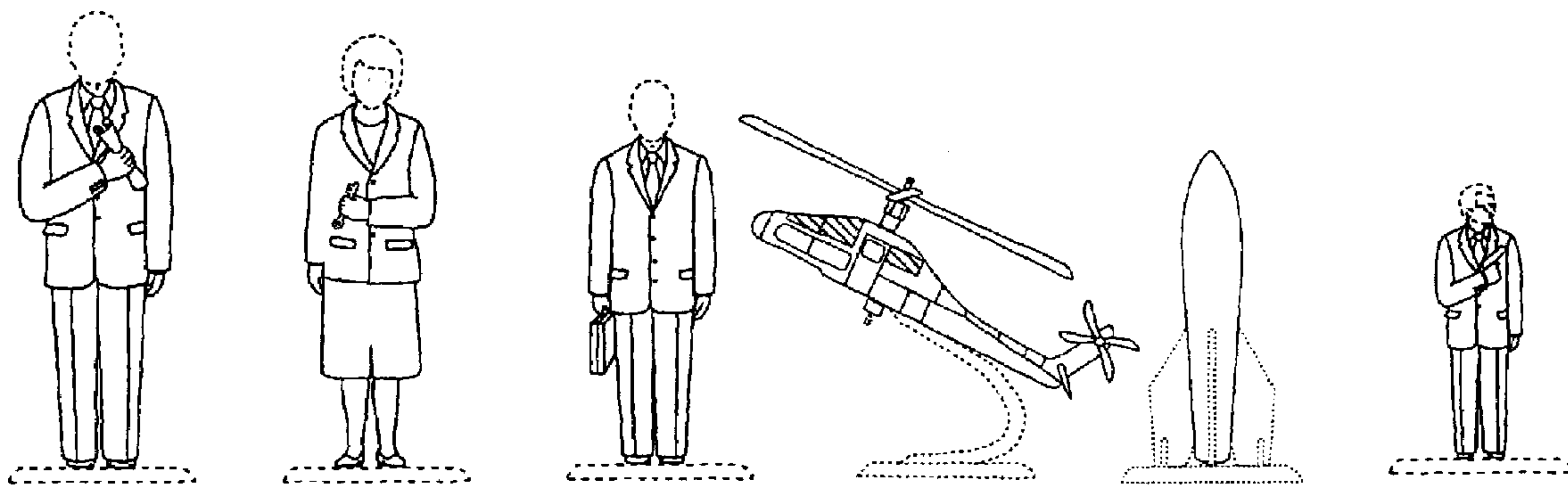
The broken line showing is for illustrative purposes only, and forms no part of the claimed design.

\* cited by examiner

*Primary Examiner*—Sandra Morris

(74) *Attorney, Agent, or Firm*—Jeffrey C. Brown, Esq.

**1 Claim, 7 Drawing Sheets**



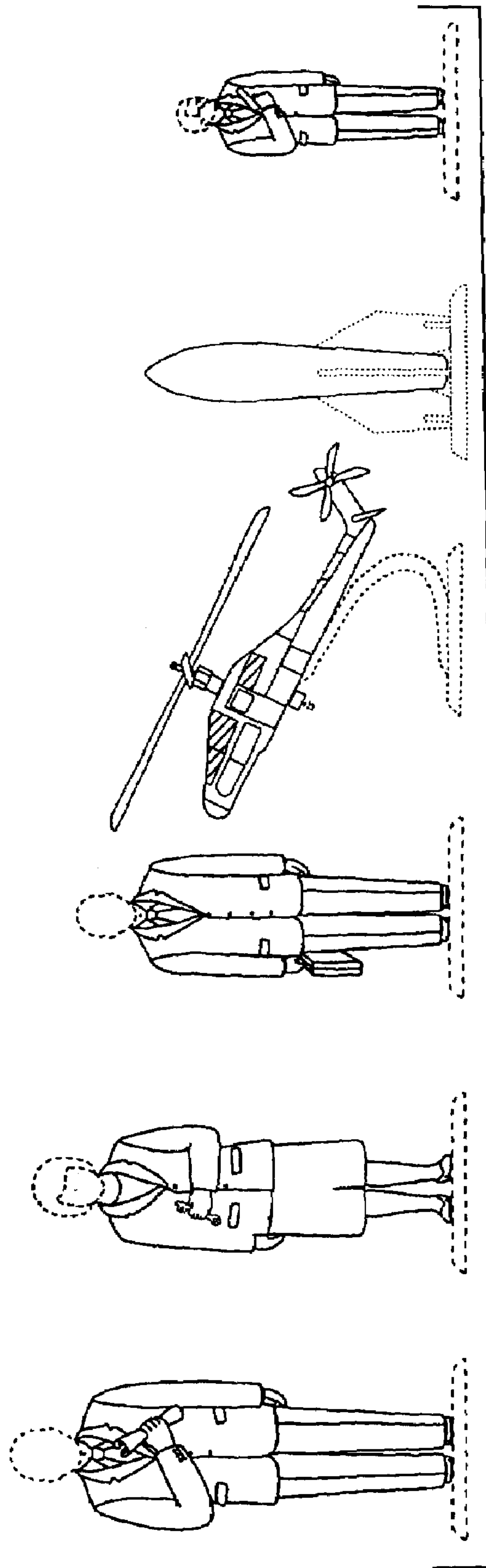


Fig. 1

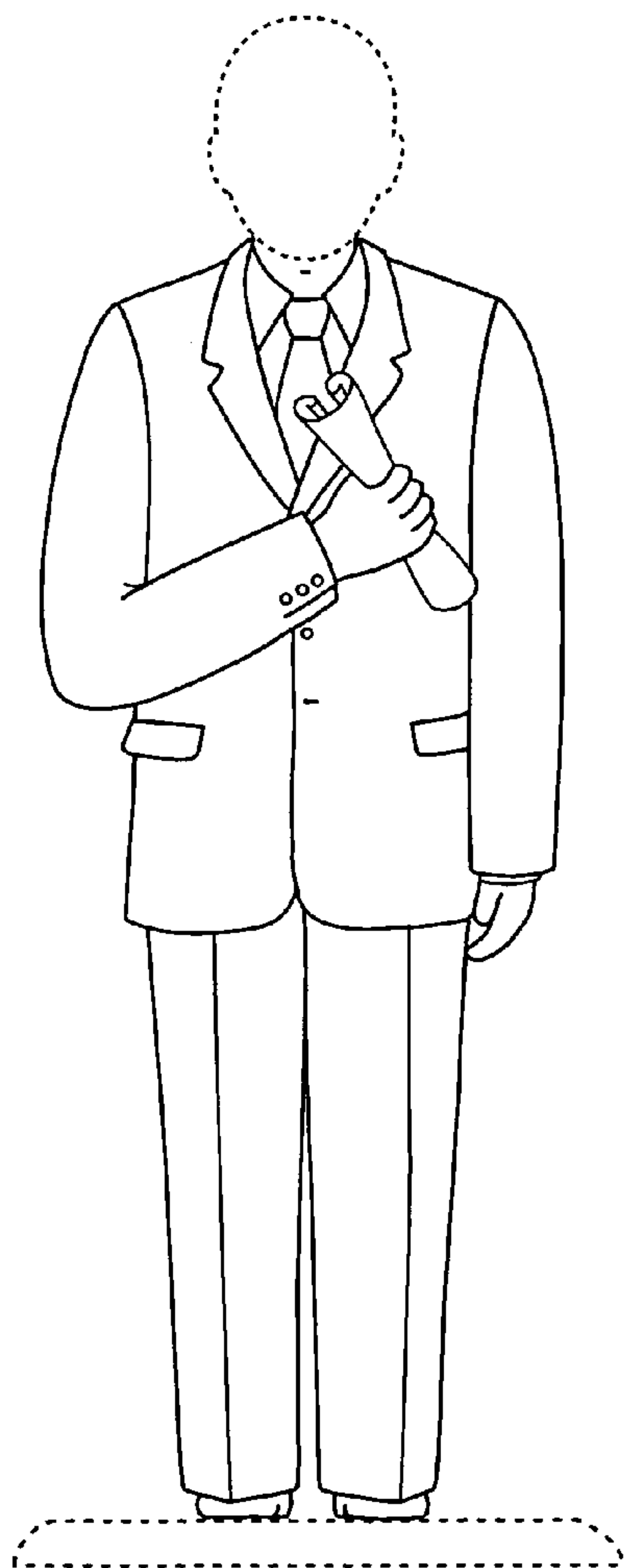


Fig. 2

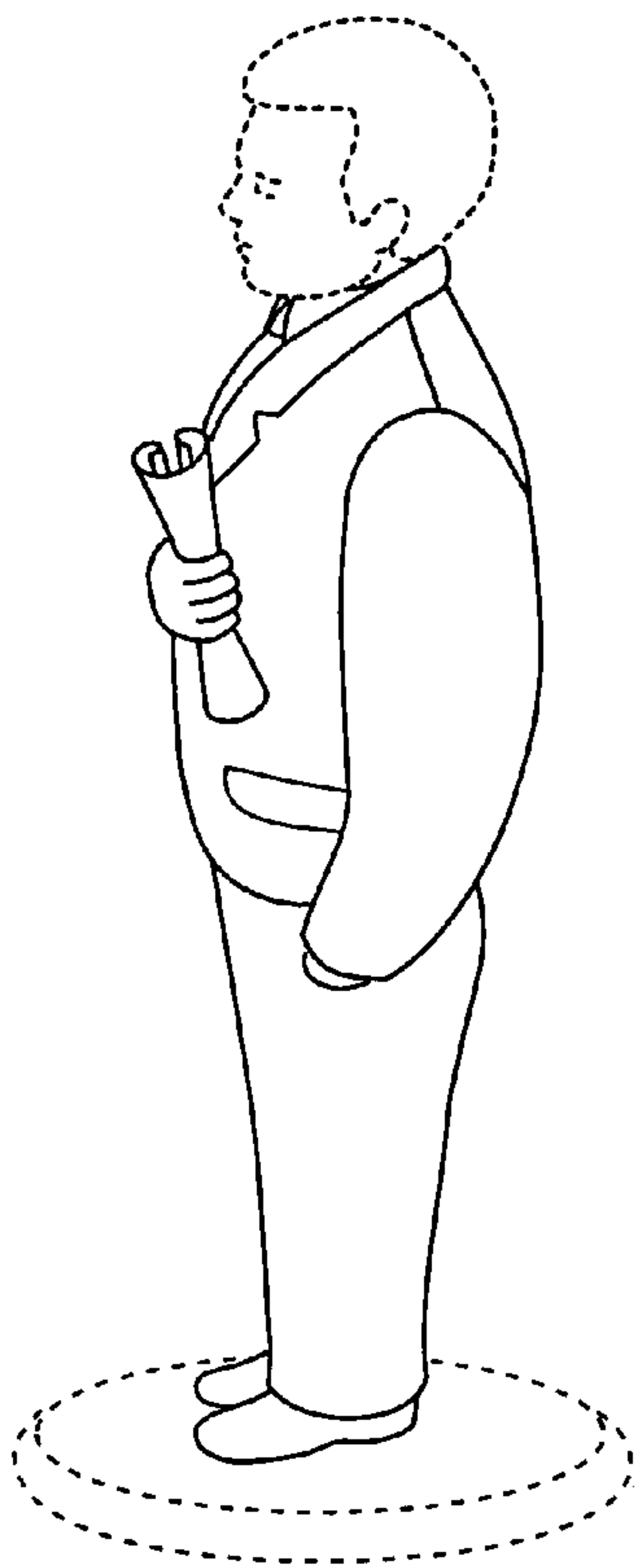


Fig. 3

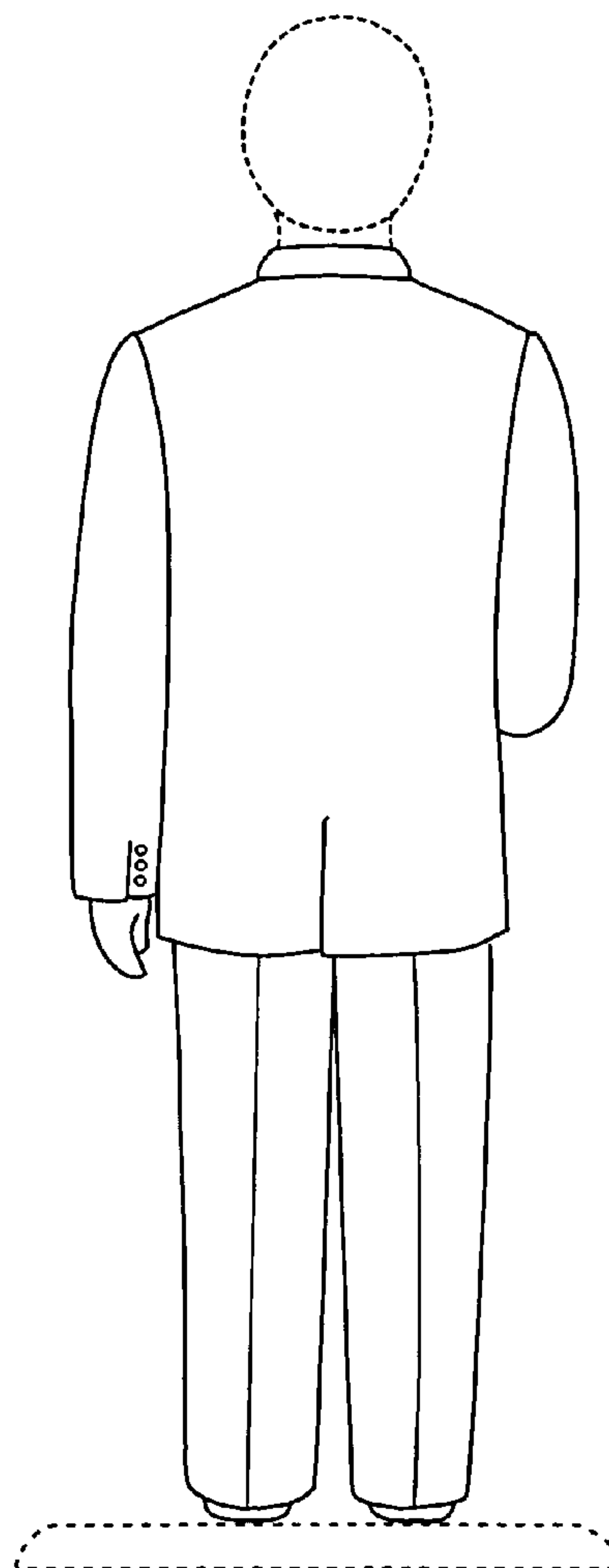


Fig. 4

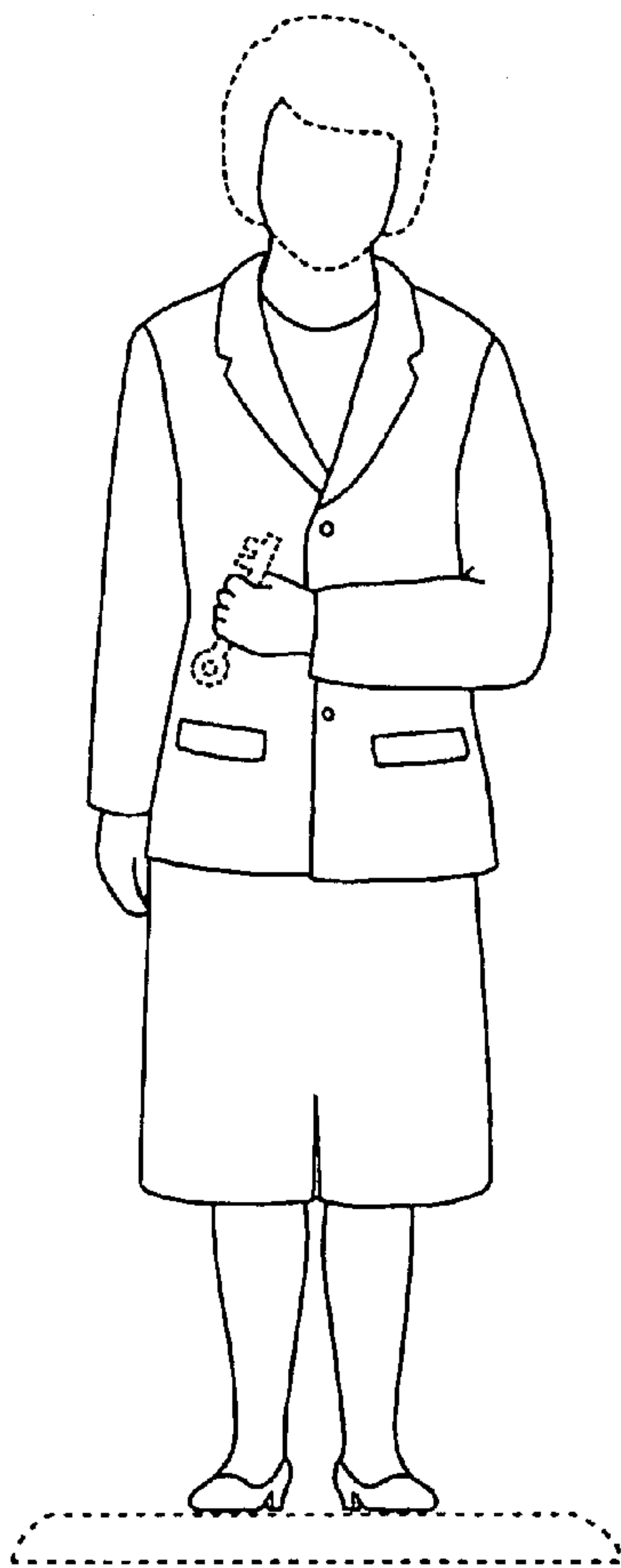


Fig. 5

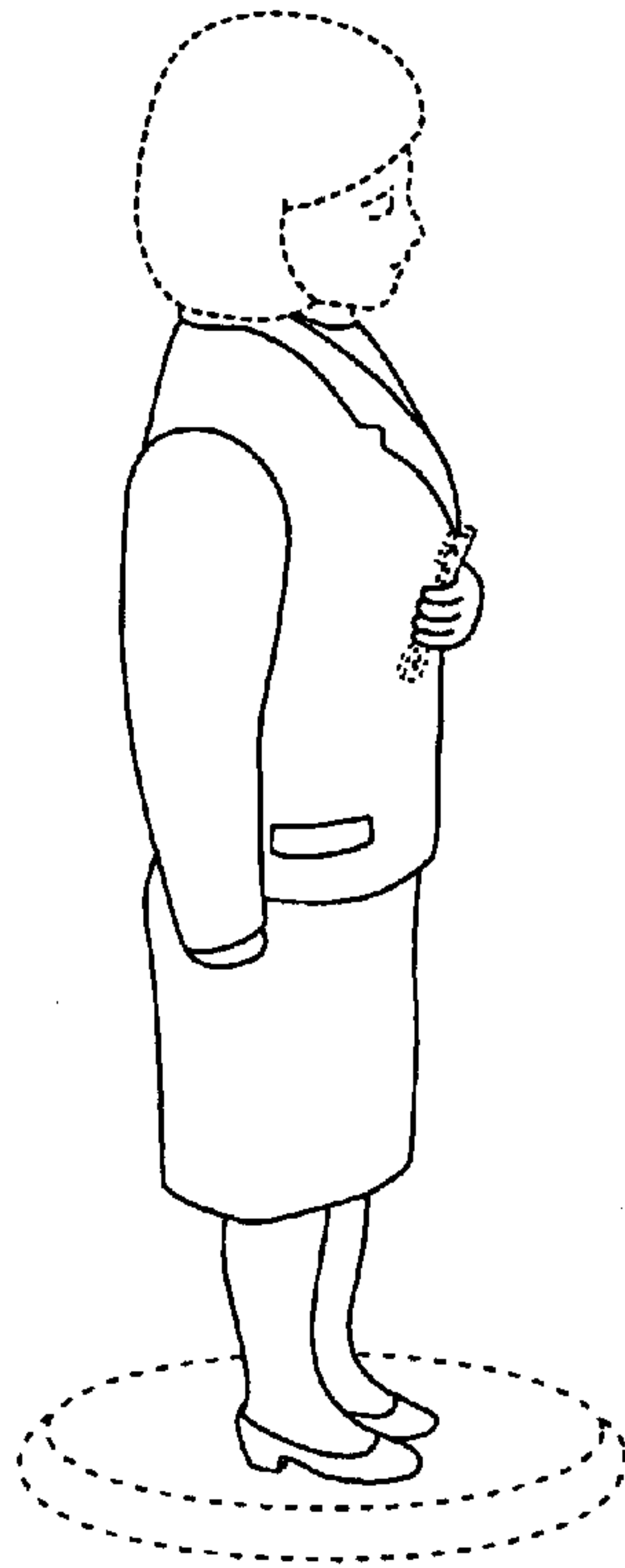


Fig. 6

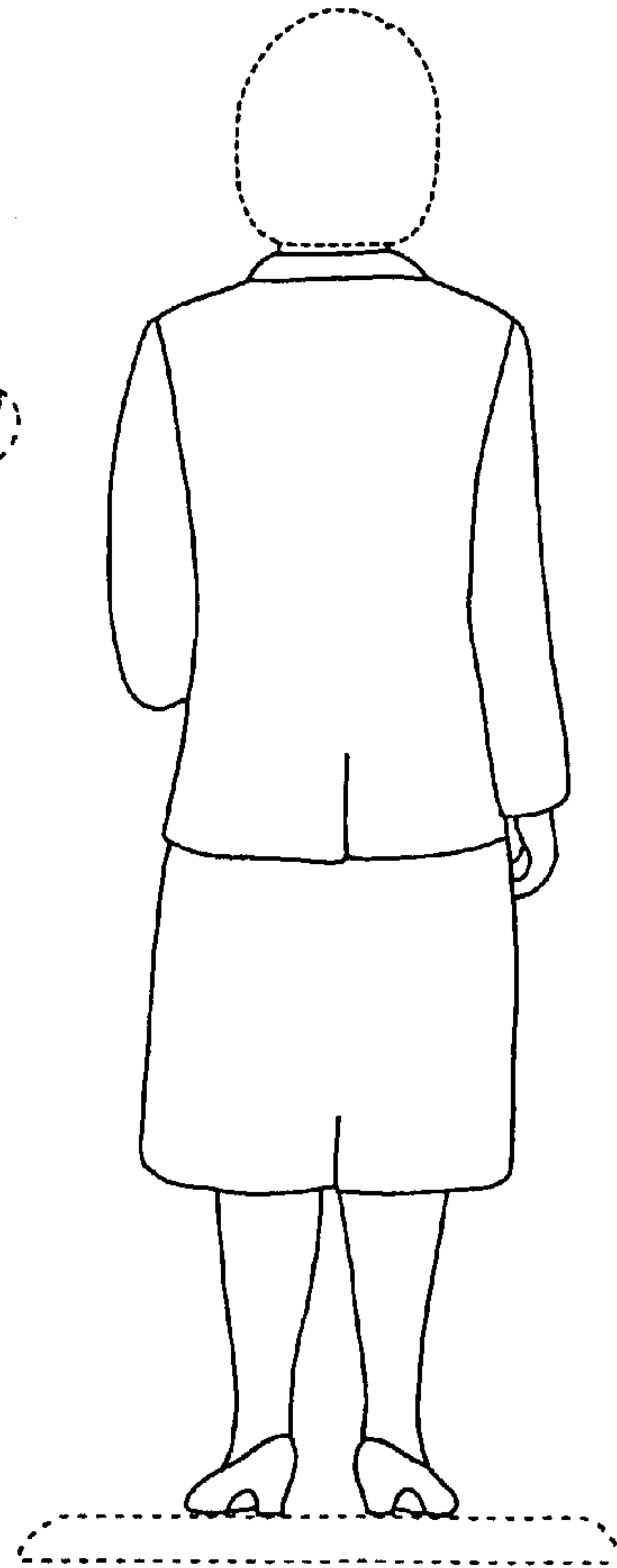


Fig. 7

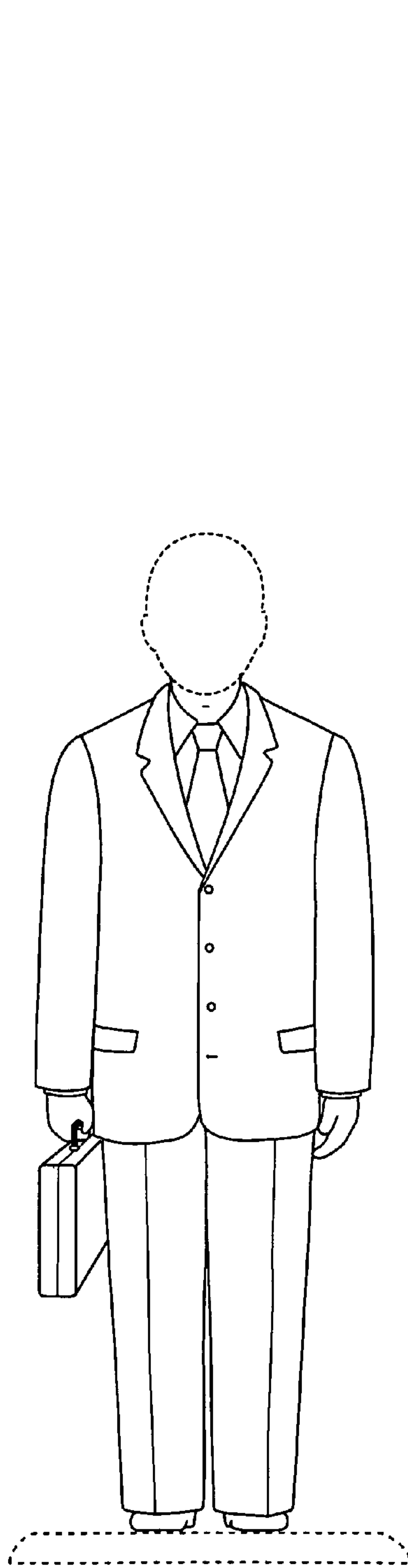


Fig. 8

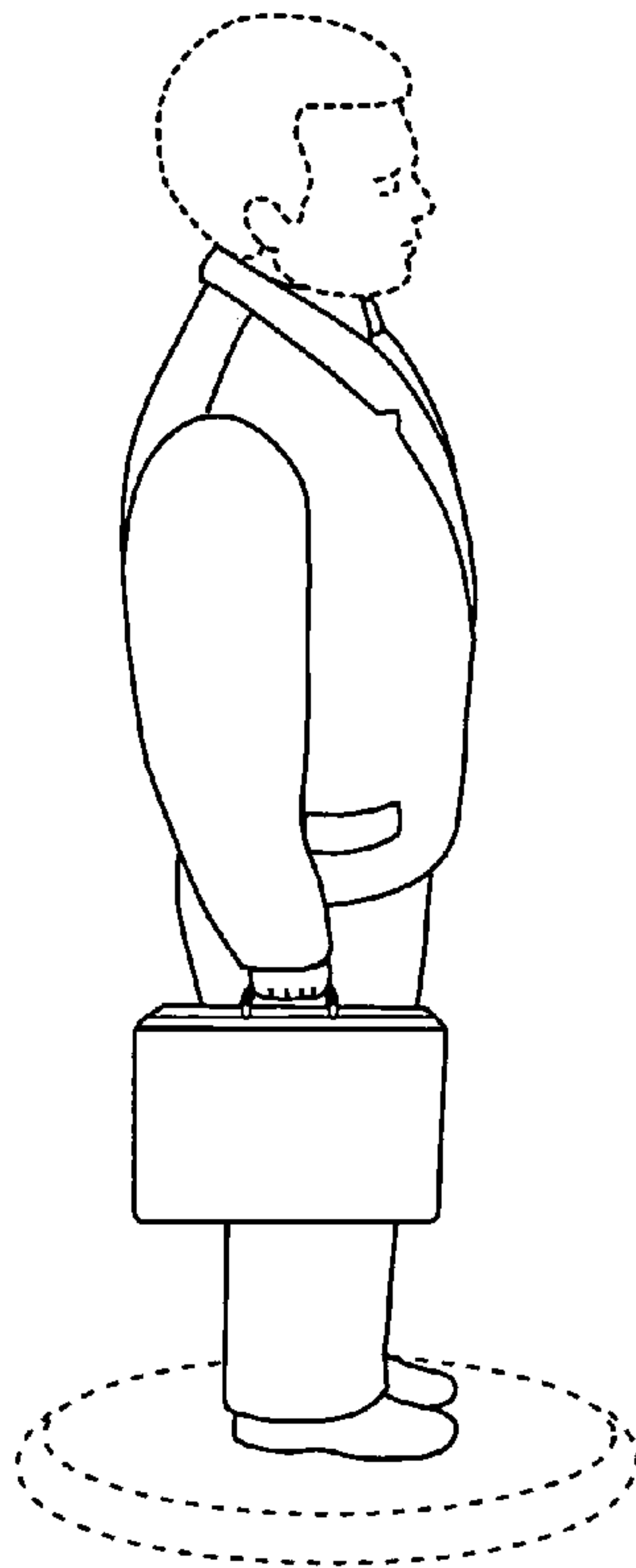


Fig. 9

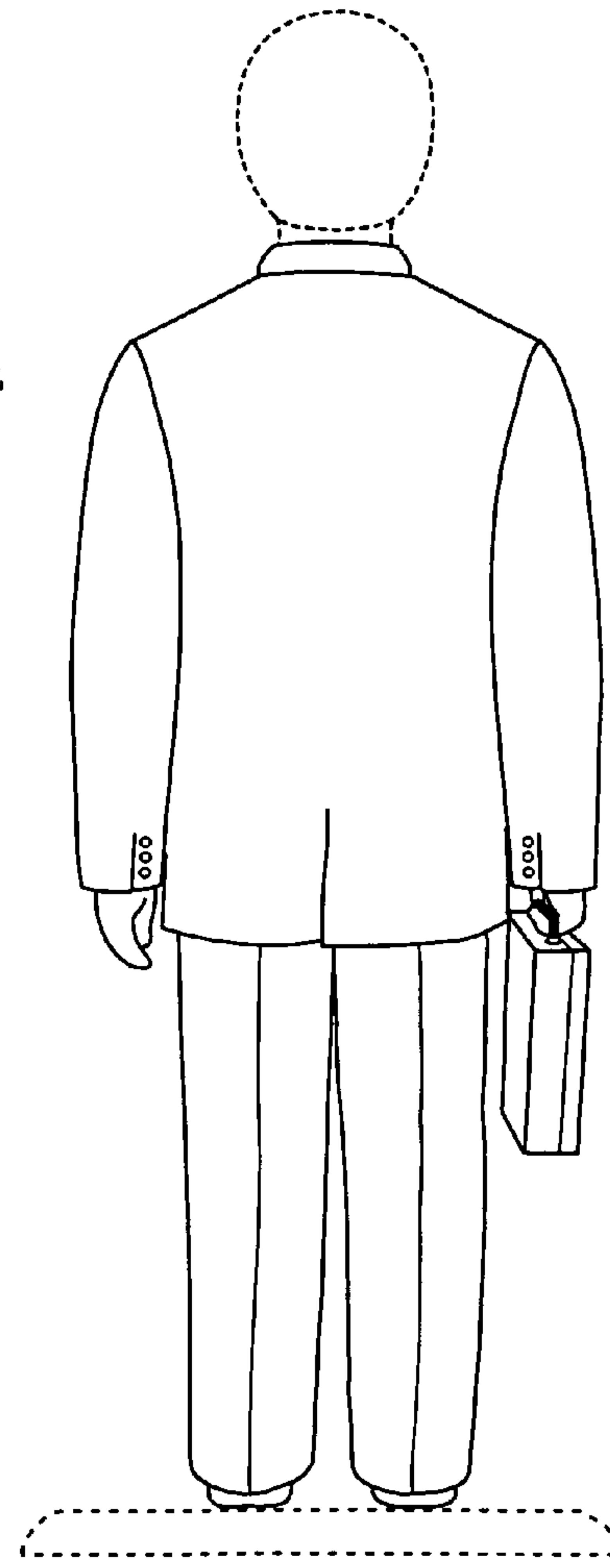


Fig. 10

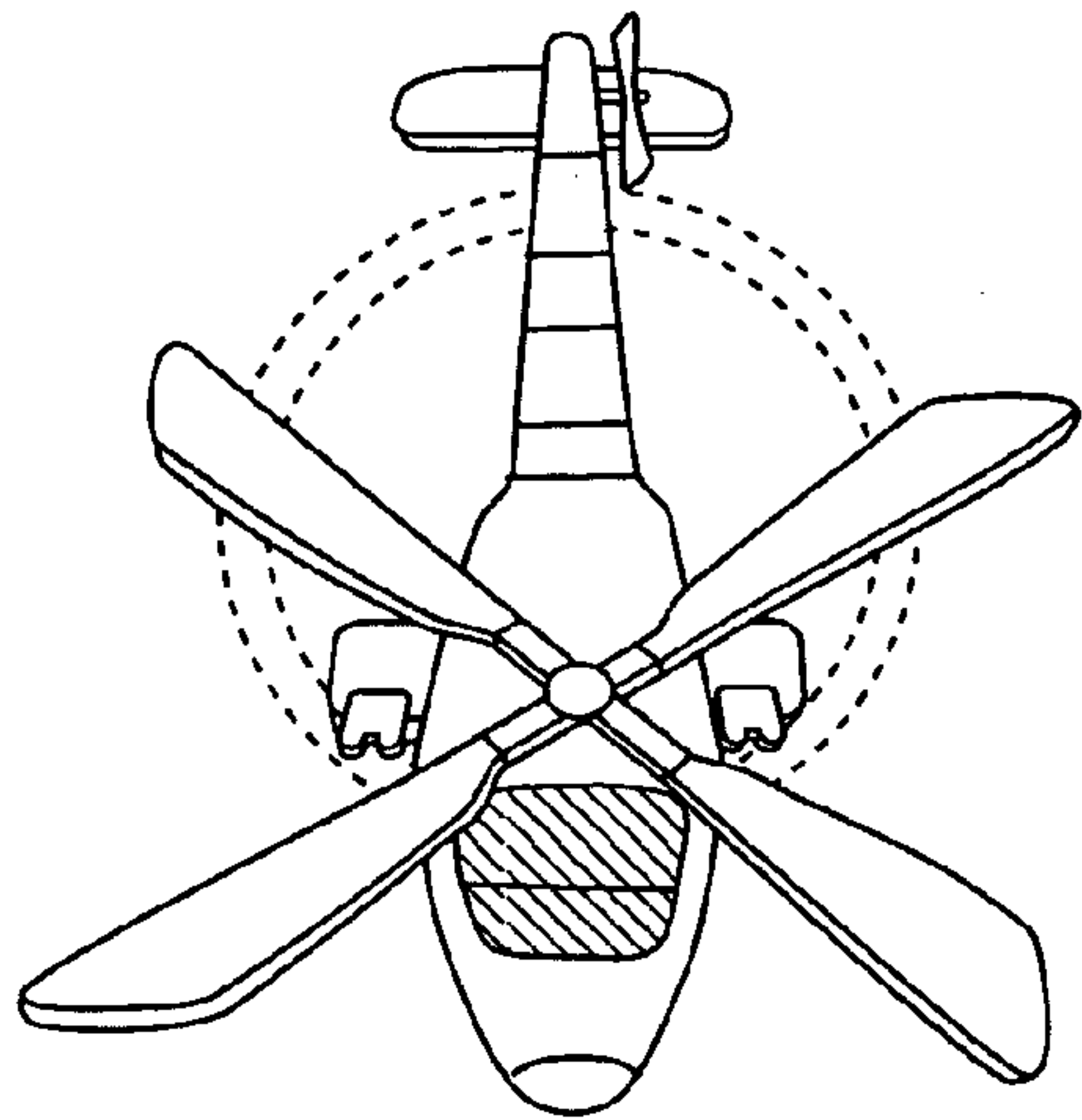


Fig. 12

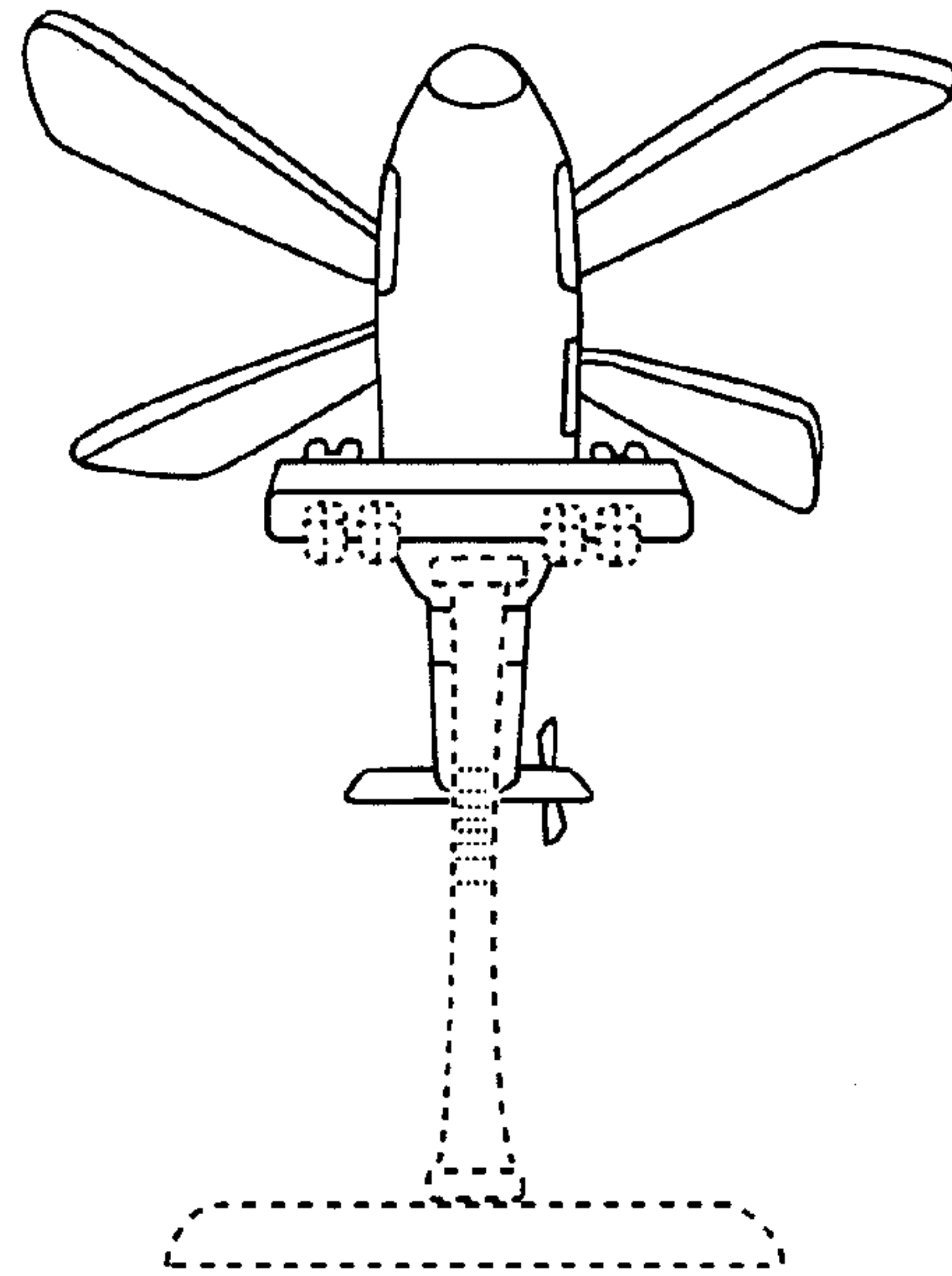


Fig. 13

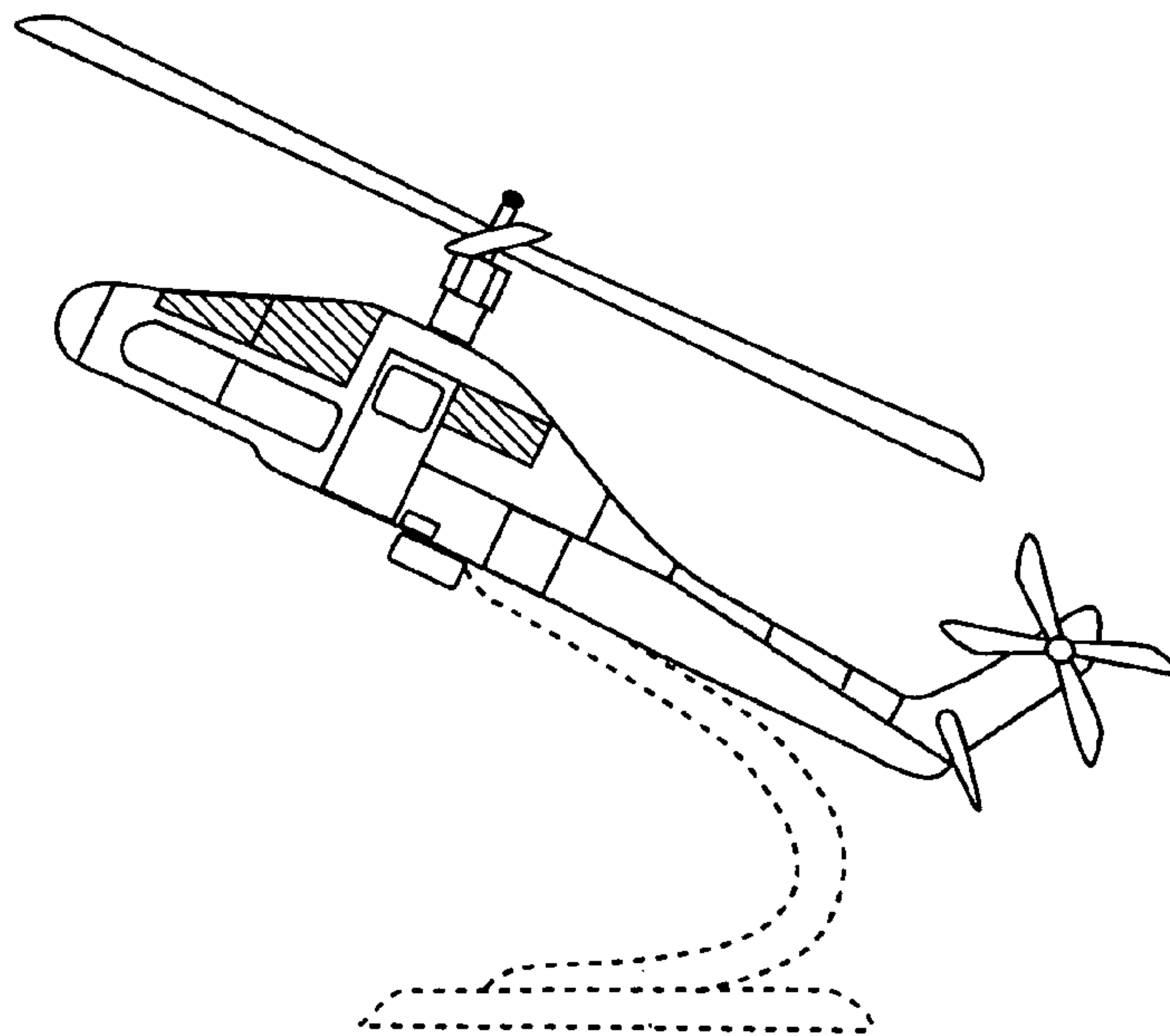


Fig. 11



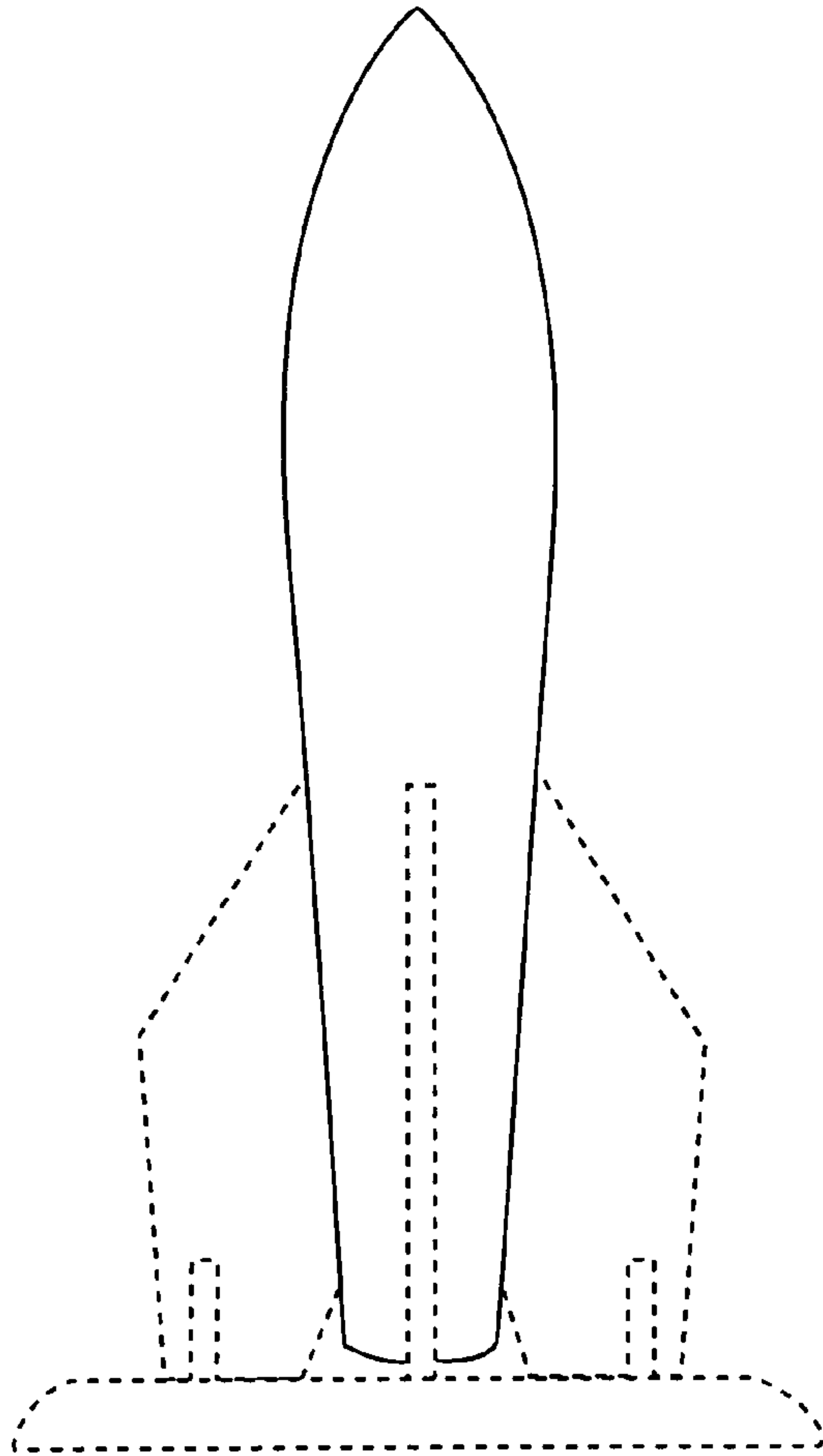


Fig. 14

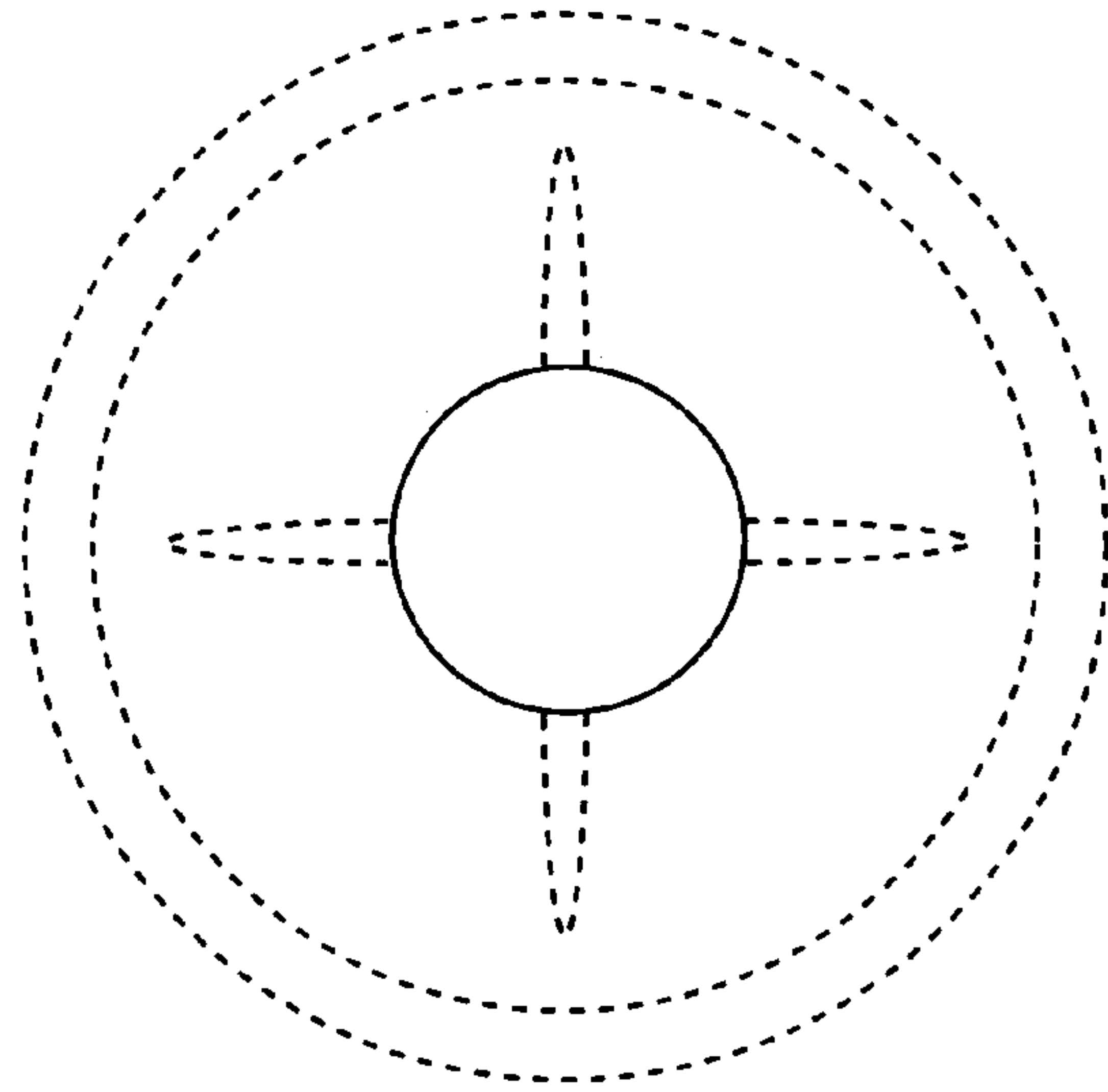


Fig. 15

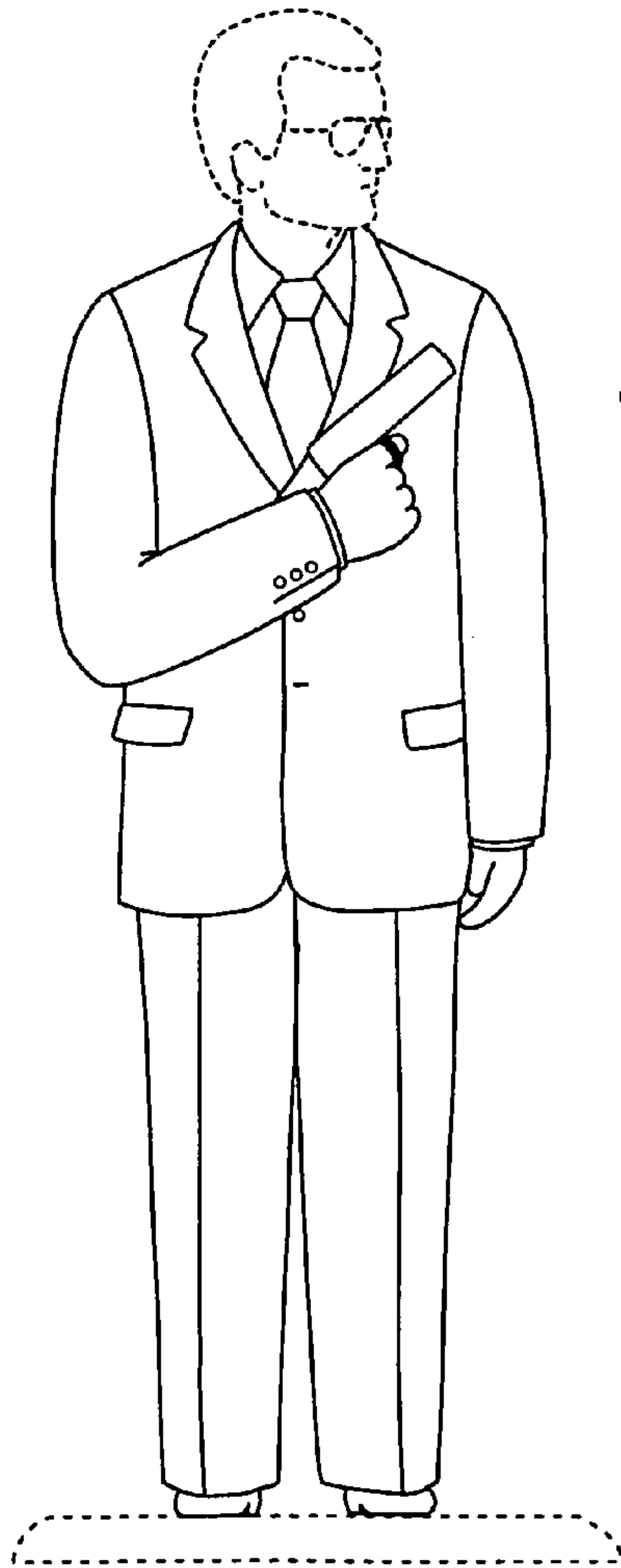


Fig. 16

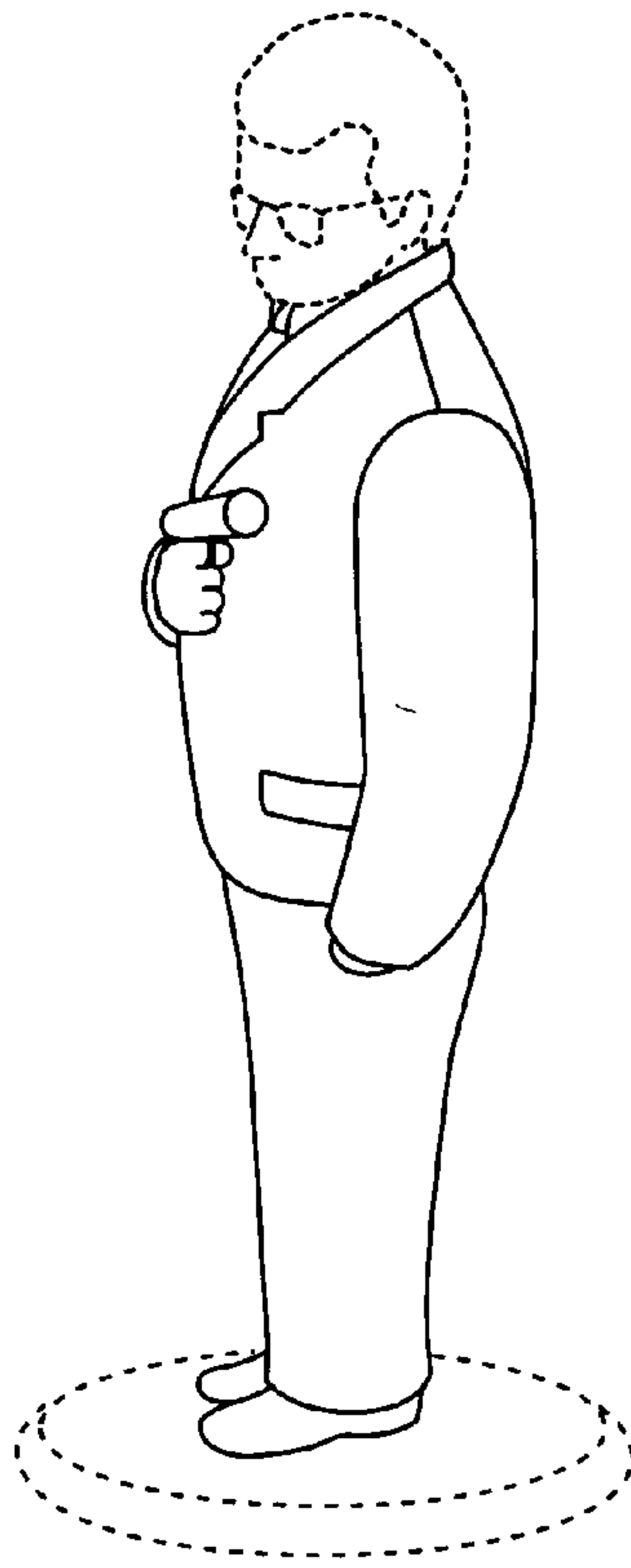


Fig. 17

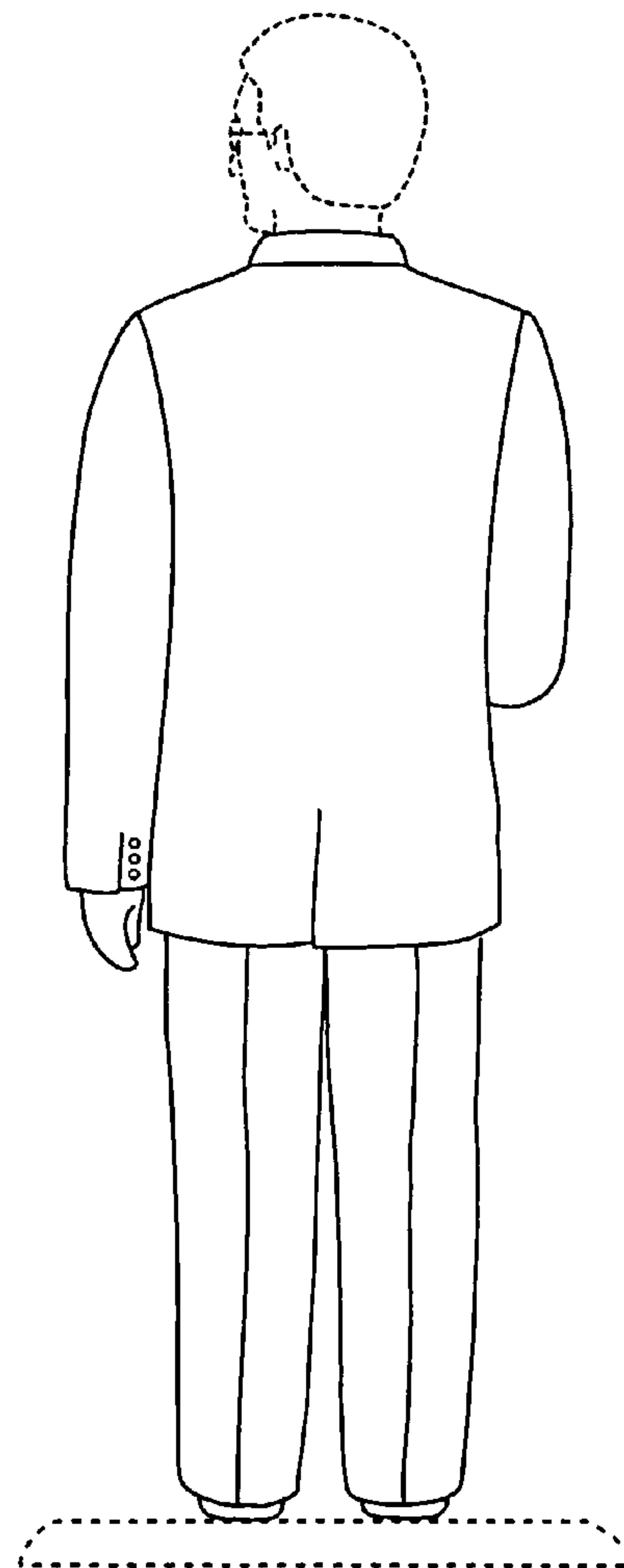


Fig. 18