



US00D598957S

(12) **United States Design Patent**  
**Isozaki et al.**

(10) **Patent No.:** **US D598,957 S**

(45) **Date of Patent:** **\*\* Aug. 25, 2009**

(54) **HOLE PUNCH FOR STATIONERY**

(75) Inventors: **Ko Isozaki**, Tokyo (JP); **Megumi Tanabe**, Tokyo (JP)

(73) Assignee: **Plus Stationery Corporation**, Tokyo (JP)

(\*\*) Term: **14 Years**

(21) Appl. No.: **29/318,684**

(22) Filed: **May 26, 2008**

(30) **Foreign Application Priority Data**

Jan. 18, 2008 (JP) ..... 2008-000792

(51) **LOC (9) Cl.** ..... **19-02**

(52) **U.S. Cl.** ..... **D19/72**

(58) **Field of Classification Search** ..... D8/98;  
D19/72; 83/167, 582, 588, 613, 618, 620,  
83/633, 684, 686, 821

See application file for complete search history.

(56) **References Cited**

**U.S. PATENT DOCUMENTS**

D152,283 S \* 1/1949 Misson ..... D19/72  
2,587,749 A \* 3/1952 Misson ..... 83/627  
4,288,018 A \* 9/1981 Taniguchi ..... 227/76  
4,466,322 A \* 8/1984 Mori ..... 83/468  
4,713,995 A \* 12/1987 Davi ..... 83/167  
D468,772 S \* 1/2003 Robillard ..... D19/72

D479,857 S \* 9/2003 Huang ..... D19/72  
6,644,161 B2 \* 11/2003 Lin ..... 83/588  
D496,071 S \* 9/2004 Huang ..... D19/72  
D506,784 S \* 6/2005 Bodum ..... D19/72  
2003/0070523 A1 \* 4/2003 Lin ..... 83/669

\* cited by examiner

*Primary Examiner*—Elizabeth A Albert

(74) *Attorney, Agent, or Firm*—The Marbury Law Group PLLC

(57) **CLAIM**

The ornamental design for a hole punch for stationery, as shown and described.

**DESCRIPTION**

FIG. 1 is a front view of a hole punch for stationery showing our new design.

FIG. 2 is a rear view thereof.

FIG. 3 is a right side view thereof.

FIG. 4 is a left side view thereof.

FIG. 5 is a top plan view thereof.

FIG. 6 is a bottom plan view thereof; and,

FIG. 7 is a perspective view thereof.

The broken lines showing the bottom in FIG. 6 are shown for environmental purposes only and form no part of the claimed design.

**1 Claim, 7 Drawing Sheets**

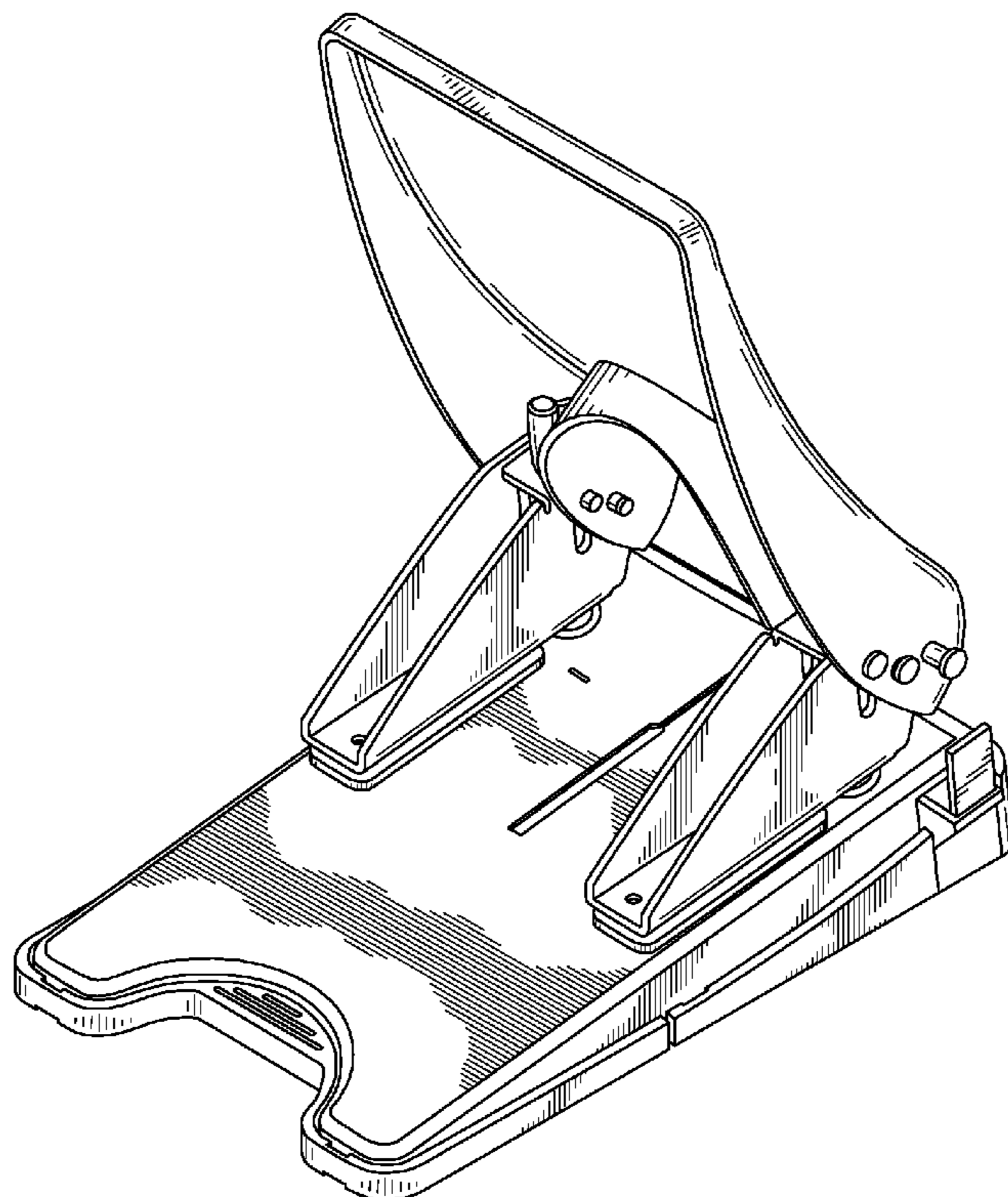


Fig. 1

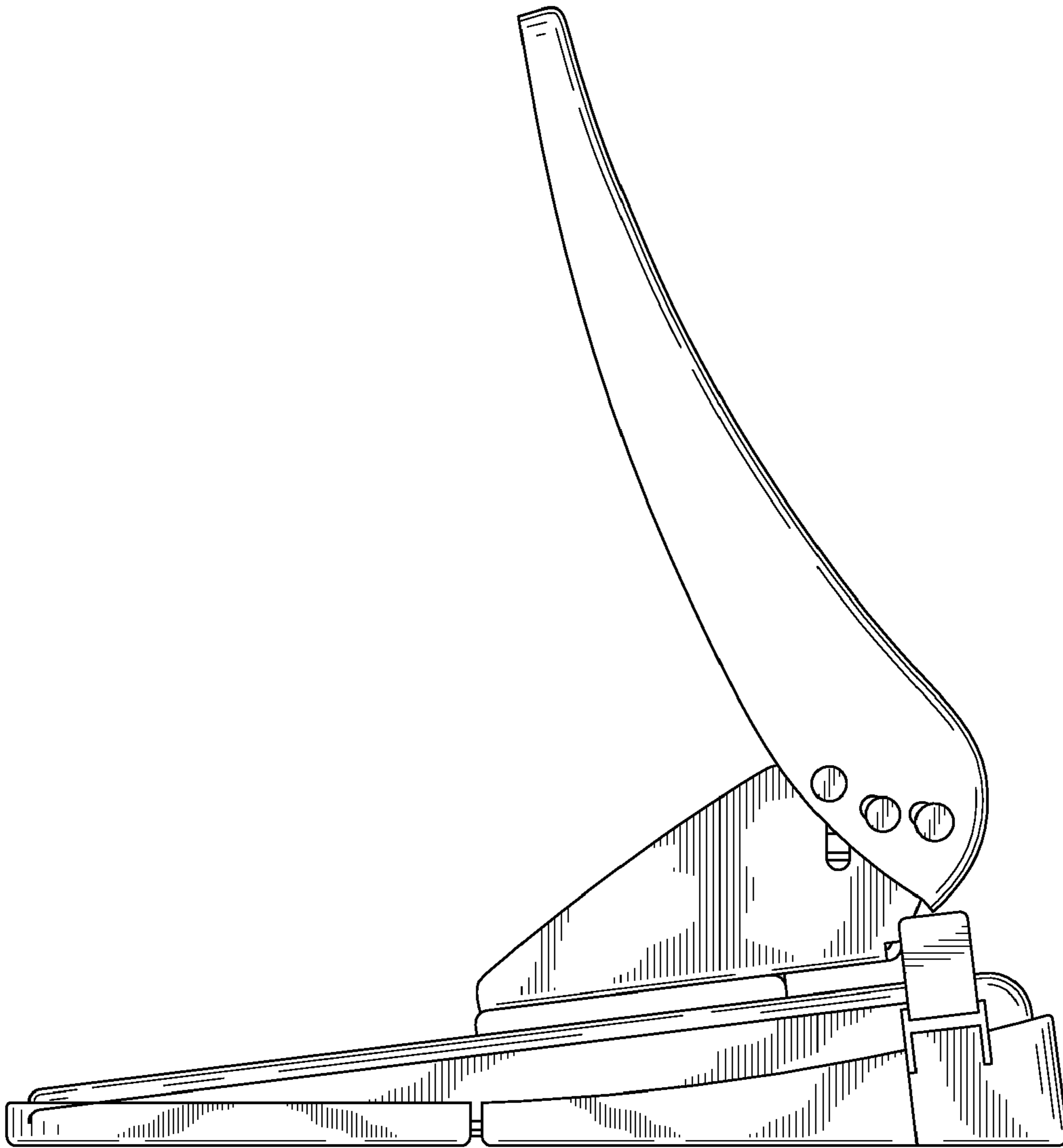


Fig. 2

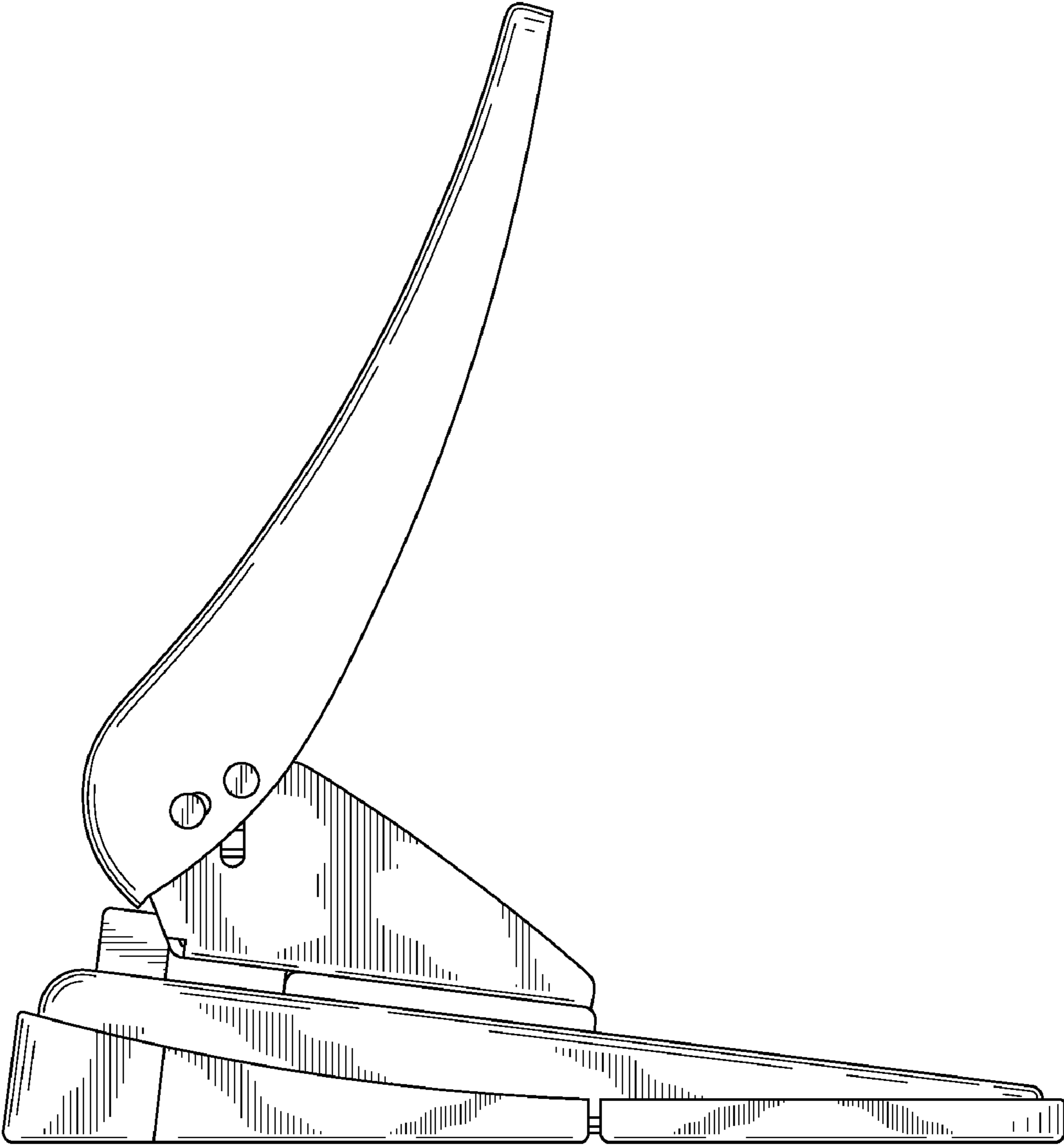


Fig. 3

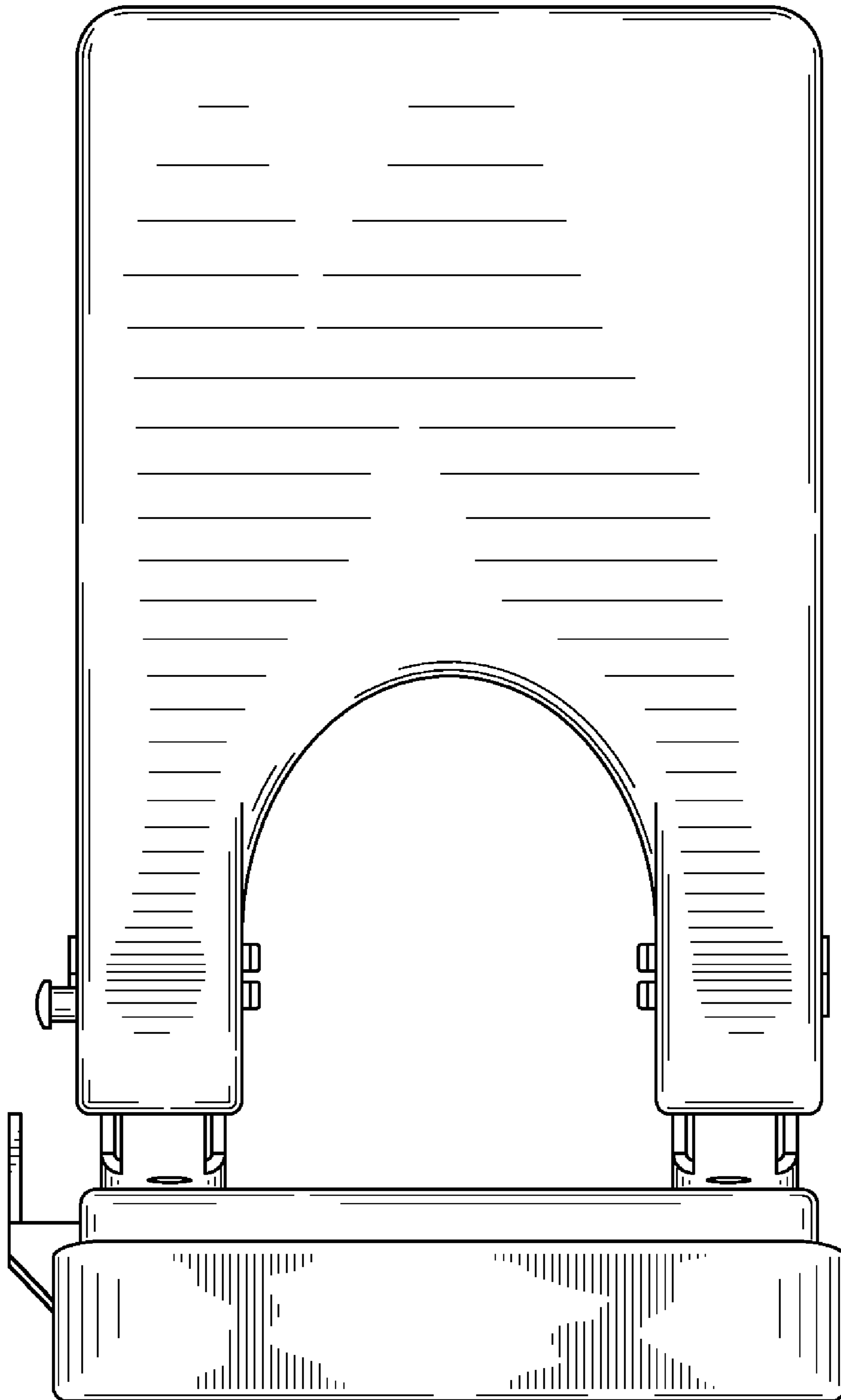


Fig. 4

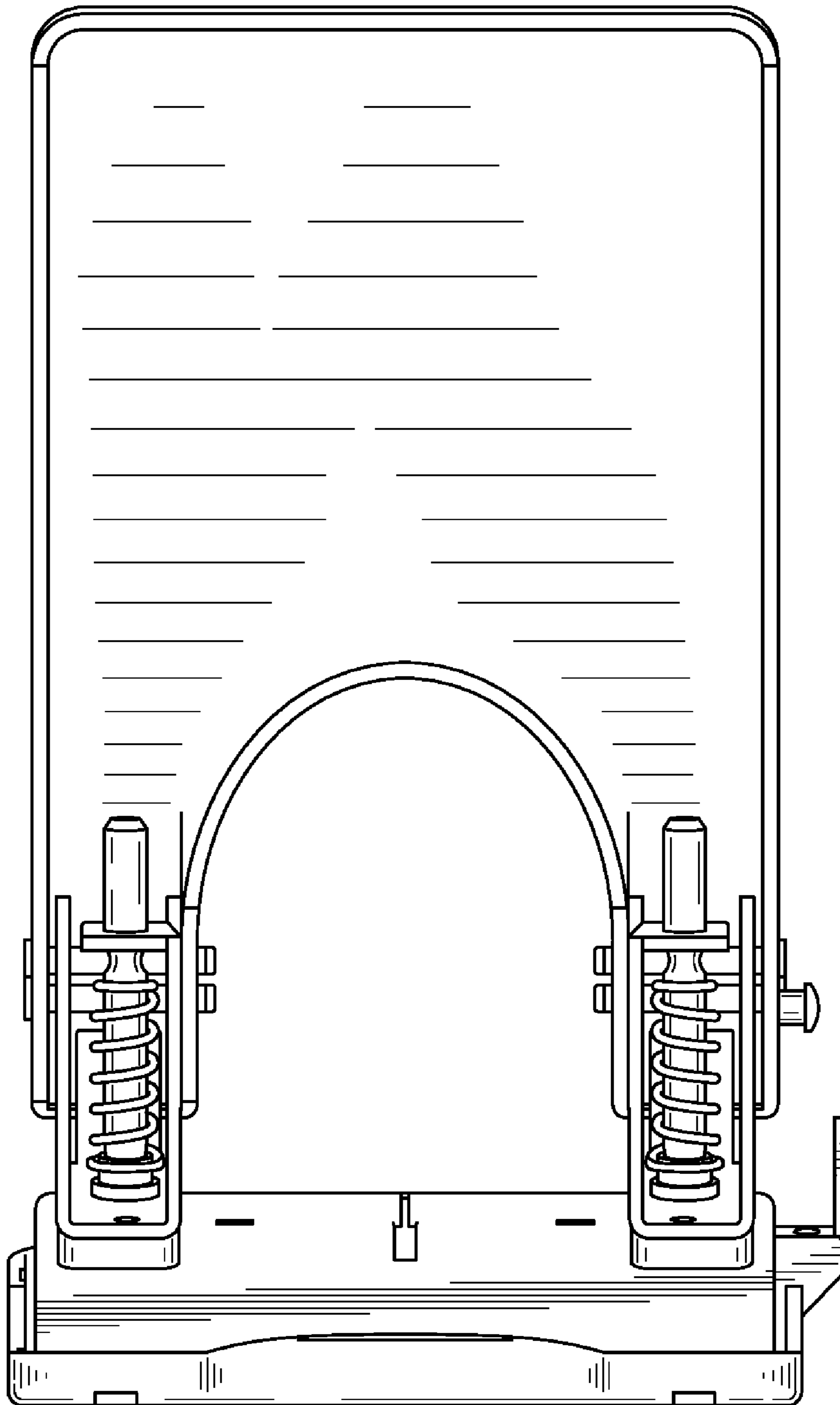


Fig. 5

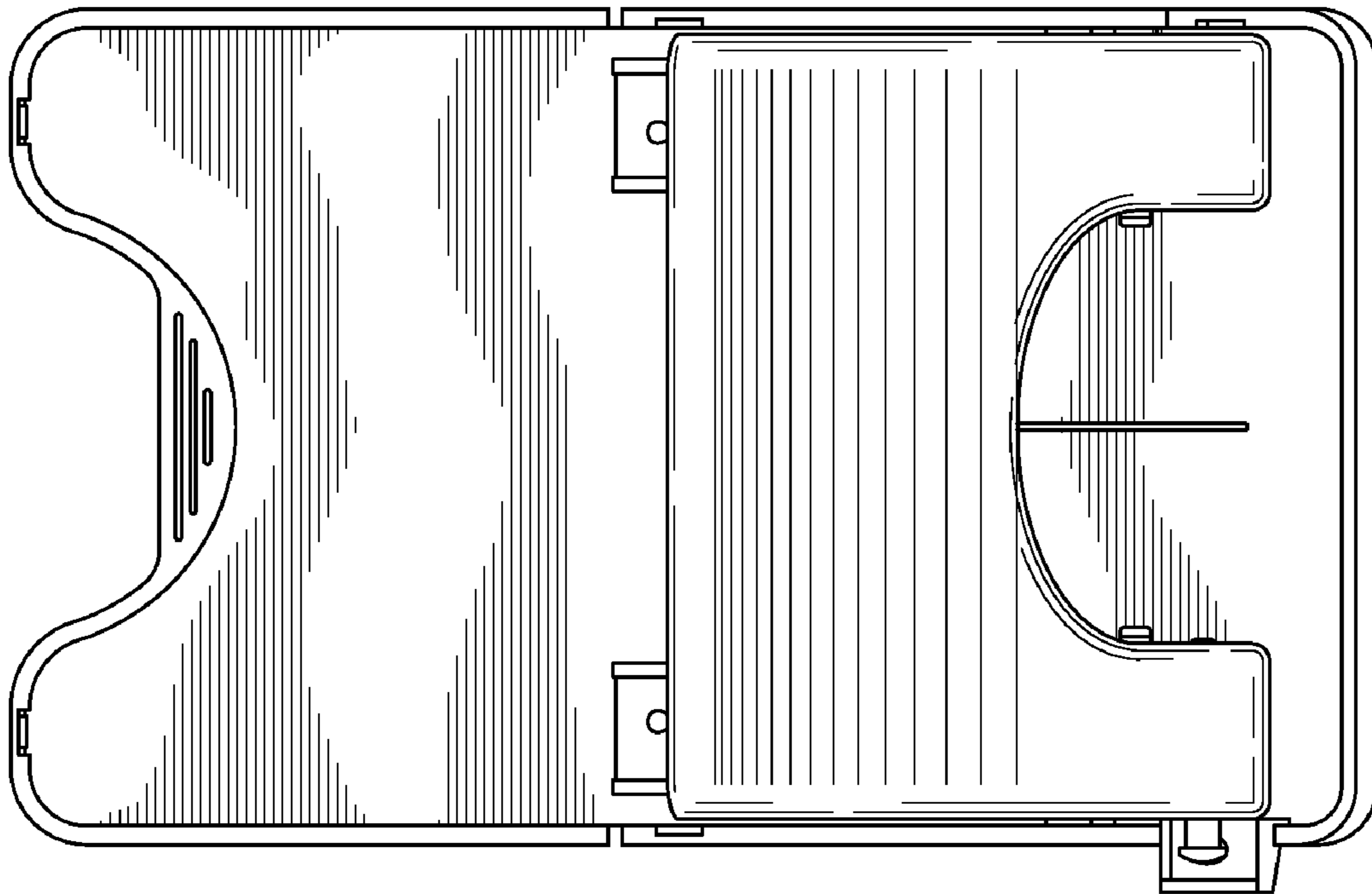


Fig. 6

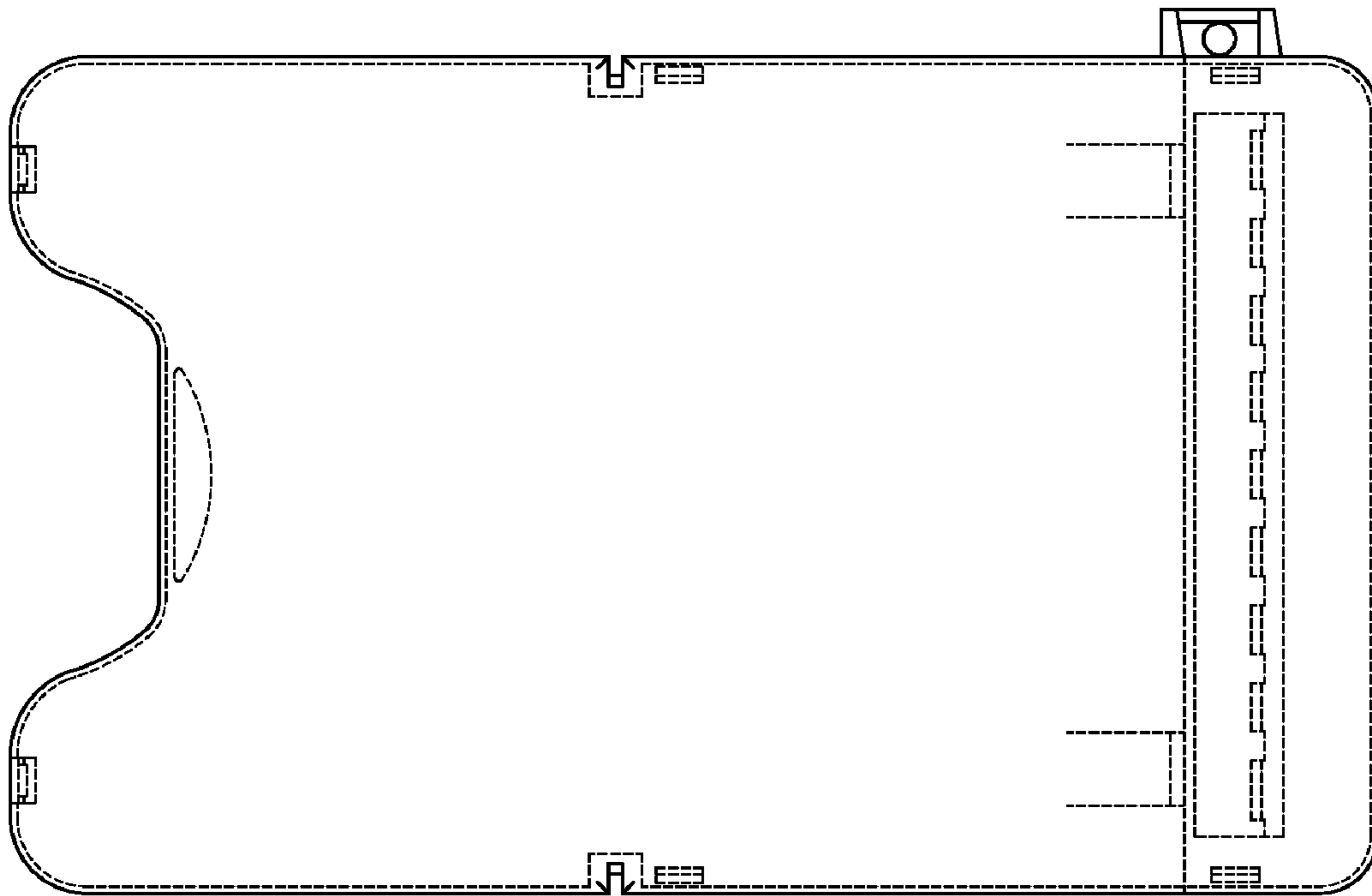


Fig. 7

